

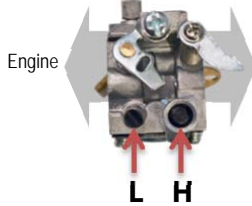

<b>Subject</b>	Carburetor Tamper Resistance
<b>For model</b>	All power cuts, chain saws, blowers, grass trimmers, hedge trimmers, brush cutters, edgers
<b>Country</b>	USA
<b>Description</b>	EPA (US Environmental Protection Agency) regulations require tamper proof carburetors to assure engines maintain exhaust emission compliance. Carburetor service and high altitude adjustments can be made by Authorized Service Centers or Factory Service Centers.

**Replacing carburetors:** Carburetor service requiring full carburetor replacement – confirm H and L needles are set to factory settings.

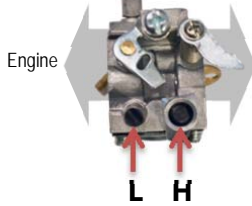

Consult the appropriate repair manual and/or operator’s manuals for the proper carburetor settings for a specific machine.

Reference Makita/Dolmar Technical bulletin **2012-03M** and **2012-41**

### COMPACT CLASS CHAIN SAWS: EA3201S35B (WALBRO TYPE)

CEMENTED CARBURETOR	TAMPER RESISTANT CARBURETOR	REQUIRED TOOLS	FACTORY SETTINGS	HIGH ALTITUDE SETTINGS
	<p><b>PN 168779-0</b> Walbro type EX 207</p>  <p>Engine ← → Air Filter</p> <p>L H</p>	<p><b>PN 957340030</b></p>  <p>Available only for Makita Factory and Authorized Service Centers.</p>	<p><b>L=⊖</b> <b>H=⊖</b></p> <p><b>Walbro</b> <b>L=1-1/2</b> <b>H=4-1/2</b></p>	
<p>Replace with tamper resistant type if service is required</p>				

### COMPACT CLASS CHAIN SAWS: EA3201S35B (ZAMA TYPE)

CEMENTED CARBURETOR	TAMPER RESISTANT CARBURETOR	REQUIRED TOOLS	FACTORY SETTINGS	HIGH ALTITUDE SETTINGS
	<p><b>PN 168849-5</b> Zama type DM29</p>  <p>Engine ← → Air Filter</p> <p>L H</p>	<p><b>PN 957340020</b></p>  <p>Available only for Makita Factory and Authorized Service Centers.</p>	<p><b>L=⊖</b> <b>H=⊖</b></p> <p><b>Zama</b> <b>L=1-1/2</b> <b>H=2-1/2</b></p>	
<p><b>Not Applicable</b></p>				

## FARM CLASS CHAIN SAWS: EA3601F40B

CEMENTED CARBURETOR	TAMPER RESISTANT CARBURETOR	REQUIRED TOOLS	FACTORY SETTINGS	HIGH ALTITUDE SETTINGS
---------------------	-----------------------------	----------------	------------------	------------------------

**Not Applicable**

PN 168819-4  
Zama type  
C1Q

Engine Air Filter

PN (not yet available)

L=0  
H=0

L= (not yet available)  
H=

Available only for Makita Factory and Authorized Service Centers.

## FARM CLASS CHAIN SAWS: EA4300F40B

CEMENTED CARBURETOR	TAMPER RESISTANT CARBURETOR	REQUIRED TOOLS	FACTORY SETTINGS	HIGH ALTITUDE SETTINGS
---------------------	-----------------------------	----------------	------------------	------------------------

**Not Applicable**

PN 195-153-200  
Zama type  
DM23

Engine Air Filter

PN 957340020

L=⊖  
H=0

L=1-1/2  
H=2-1/4

Available only for Makita Factory and Authorized Service Centers.

## MID-RANGE FARM & PRO CHAIN SAWS: DCS5121, EA5000P53G

CEMENTED CARBURETOR	TAMPER RESISTANT CARBURETOR	REQUIRED TOOLS	FACTORY SETTINGS	HIGH ALTITUDE SETTINGS
---------------------	-----------------------------	----------------	------------------	------------------------

**Not Applicable**

PN 181-153-301  
Zama type  
DM20

Air Filter Engine

PN 957340020

L=0  
H=0

L=1-1/2  
H=1-1/2

Available only for Makita Factory and Authorized Service Centers.

## POWER CUTTERS: EA6100P53G

CEMENTED CARBURETOR	TAMPER RESISTANT CARBURETOR	REQUIRED TOOLS	FACTORY SETTINGS	HIGH ALTITUDE SETTINGS
---------------------	-----------------------------	----------------	------------------	------------------------

**Not Applicable**

PN Zama type DM21

Air Filter

Engine

H L

PN 957340020

L=0  
H=0

L=1-1/2  
H=2-1/2

Available only for Makita Factory and Authorized Service Centers.

## PRO CLASS CHAIN SAW: DCS642120

CEMENTED CARBURETOR	TAMPER RESISTANT CARBURETOR	REQUIRED TOOLS	FACTORY SETTINGS	HIGH ALTITUDE SETTINGS
---------------------	-----------------------------	----------------	------------------	------------------------

Replace with tamper resistant type if service is required

PN 038-153-515 Zama type DM18

Engine

Air Filter

L H

PN 957340020

L=0  
H=0

L=1-1/4  
H=1-1/2

Available only for Makita Factory and Authorized Service Centers.

## POWER CUTTERS: EK6101

CEMENTED CARBURETOR	TAMPER RESISTANT CARBURETOR	REQUIRED TOOLS	FACTORY SETTINGS	HIGH ALTITUDE SETTINGS
---------------------	-----------------------------	----------------	------------------	------------------------

**Not Applicable**

PN Zama type DM21

Air Filter

Engine

H L

PN 957340020


L=0  
H=0

L=1-1/2  
H=2-1/2

Available only for Makita Factory and Authorized Service Centers.

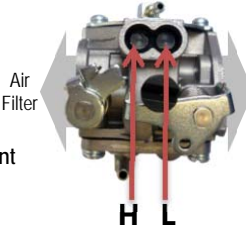
## POWER CUTTERS: DPC7331, EK7301

CEMENTED CARBURETOR	TAMPER RESISTANT CARBURETOR	REQUIRED TOOLS	FACTORY SETTINGS	HIGH ALTITUDE SETTINGS
---------------------	-----------------------------	----------------	------------------	------------------------




Replace with tamper resistant type if service is required

**PN 395-151-025**  
**Walbro type**  
**WJ-131**



**H L**

**PN 957340030**



Available only for Makita Factory and Authorized Service Centers.

**L = 0**  
**H = 0**

**L = 1-3/8**  
**H = 1-1/8**

## MM4 POWER CUTTERS: EK7651H

CEMENTED CARBURETOR	TAMPER RESISTANT CARBURETOR	REQUIRED TOOLS	FACTORY SETTINGS	HIGH ALTITUDE SETTINGS
---------------------	-----------------------------	----------------	------------------	------------------------

**Not Applicable**

**PN 168815-2**  
**Walbro type**  
**WT-1066**



**L H**

**PN 957340030**



Available only for Makita Factory and Authorized Service Centers.

**L = 0**  
**H = 0**

**L = 2-1/4**  
**H = 2-3/8**

**L = 2-1/4**  
**H = 1-3/4**

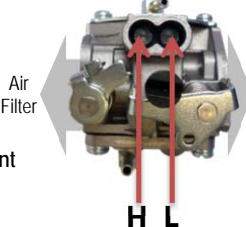
## POWER CUTTERS: EK8100

CEMENTED CARBURETOR	TAMPER RESISTANT CARBURETOR	REQUIRED TOOLS	FACTORY SETTINGS	HIGH ALTITUDE SETTINGS
---------------------	-----------------------------	----------------	------------------	------------------------



Replace with tamper resistant type if service is required

**PN 395-151-025**  
**Walbro type**  
**WJ-131**



**H L**

**PN 957340030**



Available only for Makita Factory and Authorized Service Centers.

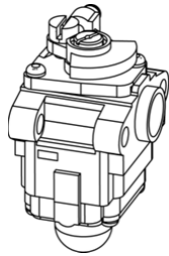
**L = 0**  
**H = 0**

**L = 1-1/4**  
**H = 1**

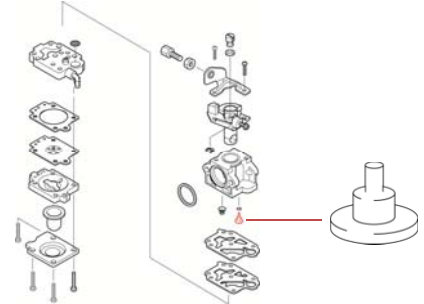
## BBX7600, BBX7600CA, BBX7600N

CARBURETOR	JET SIZE
------------	----------

**PN 597-60010-00**  
Walbro type WYK-260



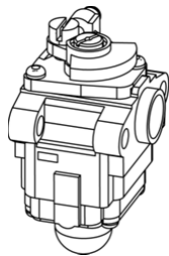
**Factory Standard jet= #60 Standard**  
**High Altitude jet= #59 (197304-0)**



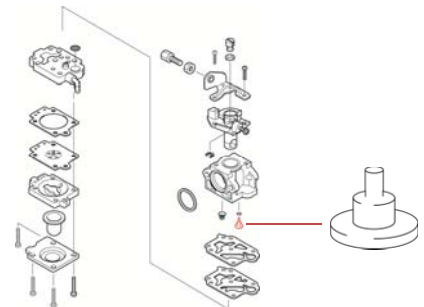
## EB7650WH, EB7650TH

CARBURETOR	JET SIZE
------------	----------

**PN 168859-2**  
Walbro type WYK-427



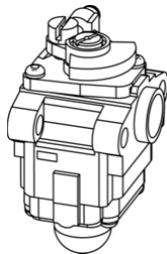
**Factory Standard jet= #60 Standard**  
**High Altitude jet= #59 (197304-0)**



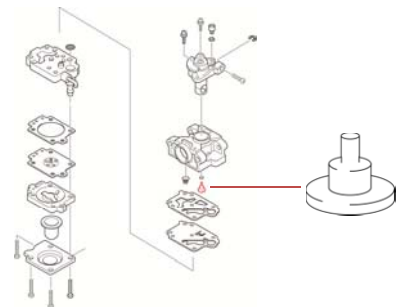
## EM2650LH, EM2652LHN, EN5550SH, EN5950SH, EN7350SH, EM2650UH, EN4950H, EE2650H, EY2650H25H, EN4951SH

CARBURETOR	JET SIZE
------------	----------

**PN 168762-7**  
Walbro type WYL-287A



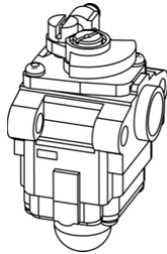
**Factory Standard Jet = #33.5 Long**  
**High Altitude Jet =**



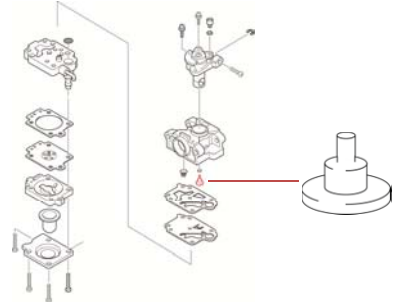
## BHX2500, BHX2500CA

CARBURETOR	JET SIZE
------------	----------

**PN 168641-9**  
**Walbro type WYL-213A**



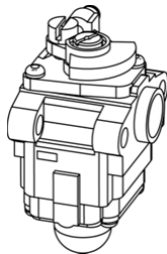
**Factory Standard jet = #38.5 Standard**  
**High Altitude jet =**



## EM4251, EM4251CA, EM4250, EM4250CA

CARBURETOR	JET SIZE
------------	----------

**PN 168497-0**  
**Walbro type WYL-125**



**Factory Standard jet = #34.5 Long**  
**High Altitude jet =**

