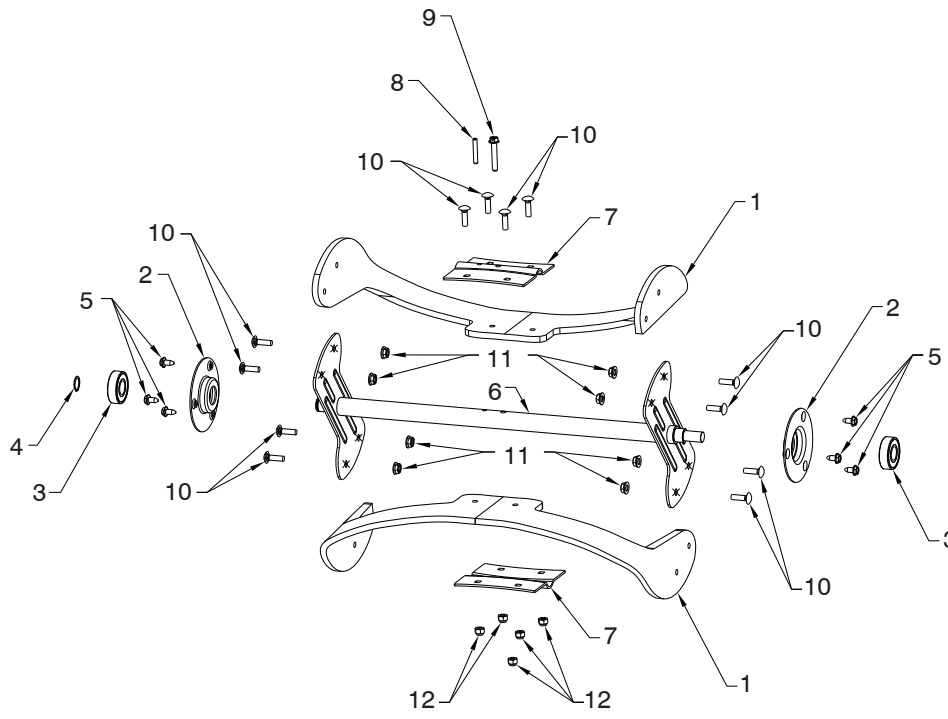


ILLUSTRATED PARTS LIST

MODEL NUMBER ST 1153 EP
PRODUCT NUMBER 961 82 00-19
MFG. ID. NUMBER 96182001902

REPAIR PARTS SNOW THROWER -- MODEL NUMBER ST 1153 EP (96182001902)

AUGER ASSEMBLY



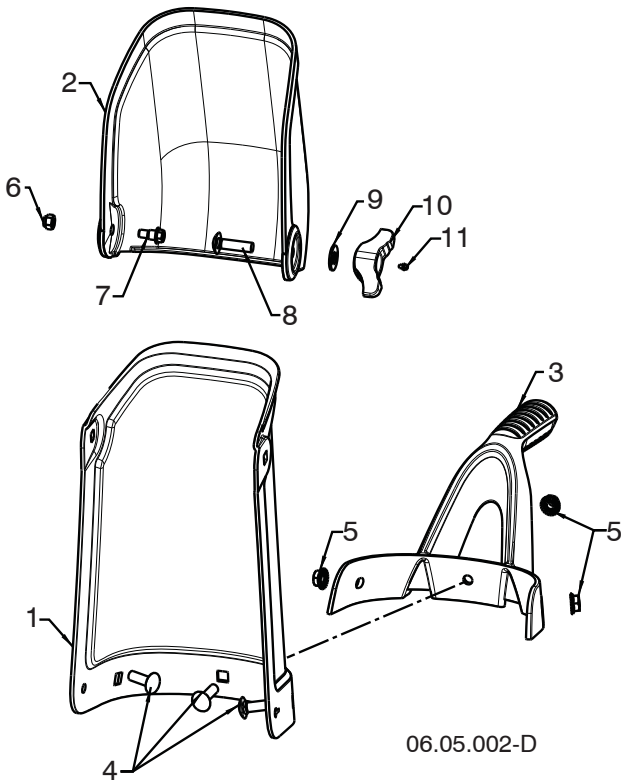
06.03.001-F

KEY NO.	PART NO.	DESCRIPTION
1	532 44 27-59	BLADE
2	580 85 55-01	BEARING SUPPORT
3	532 43 76-22	BALL BEARING
4	812 00 00-28	RETAINING RING
5	817 06 04-08	SCREW 1/4-20 X 3/8
6	532 43 76-17	AUGER WELDMENT
7	580 85 54-01	CENTER BLADE PLATE
8	532 43 76-20	ROLL PIN
9	532 19 96-87	SCREW HEX WS HD 1/4-20 X 1.5
10	872 11 04-07	BOLT CARRIAGE 1/4-20 X 7/8
11	532 19 17-30	LOCKNUT 1/4-20 HEX FLANGE SIDE
12	532 13 20-04	NUT HEX 1/4-20 SERR

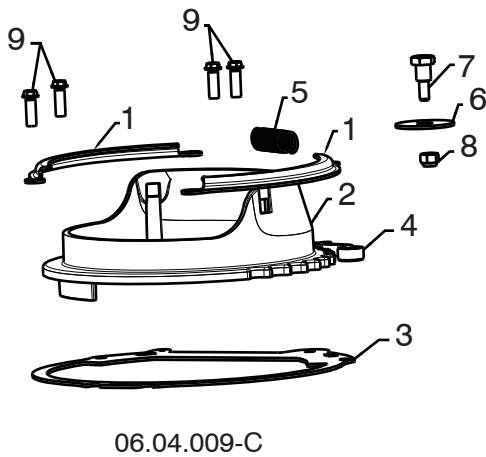
NOTE: All component dimensions given in U.S. inches. 1 inch = 25.4 mm
IMPORTANT: Use only Original Equipment Manufacturer (O.E.M.) replacement parts. Failure to do so could be hazardous, damage your snow thrower and void your warranty.

REPAIR PARTS SNOW THROWER -- MODEL NUMBER ST 1153 EP (96182001902)

CHUTE ASSEMBLY



KEY NO.	PART NO.	DESCRIPTION
1	532 43 76-41	CHUTE (BLACK)
2	532 43 76-43	DEFLECTOR (BLACK)
3	532 43 76-42	HANDLE (BLACK)
4	532 43 73-18	CARRIAGE BOLT 5/16-18 UNC X 1
5	873 97 05-00	NUT LOCK HEX W/INS 5/16-18 UNC PL
6	532 13 20-04	NUT HEX 1/4 – 20 NYLON LOCKING
7	532 44 46-82	SHOULDER BOLT 1/4-20 HEX HEAD
8	872 11 05-10	CARRIAGE BOLT 5/16-18 X 1-1/4
9	819 13 13-16	WASHER 13/32 X 13/16 X 16 GA
10	532 19 19-38	WING KNOB
11	532 07 16-73	CAP PLUNGER
--	532 43 48-87	BAG OF HARDWARE (NOT SHOWN)

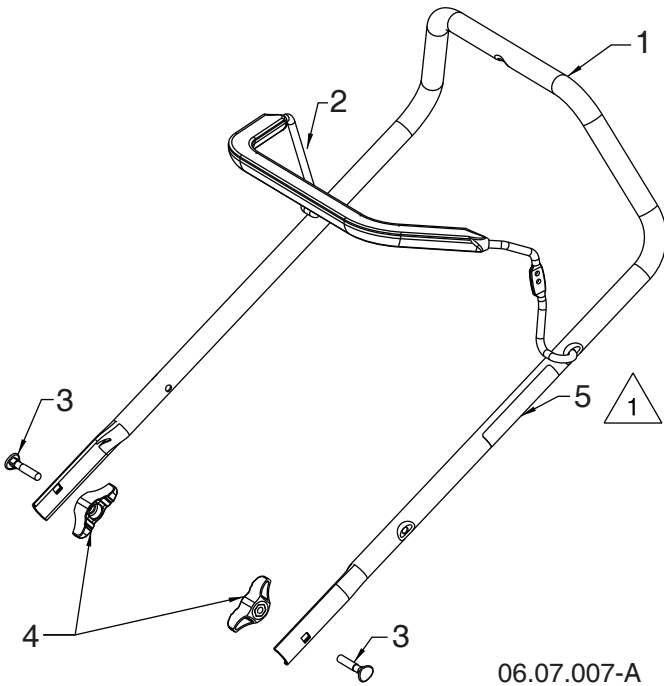


KEY NO.	PART NO.	DESCRIPTION
1	580 85 65-01	CHUTE RETAINER
2	587 23 81-01	CHUTE BASE
3	580 85 56-01	CHUTE BASE PLATE
4	532 43 48-78	RATCHET PAWL
5	532 43 48-79	SPRING
6	819 13 24-16	WASHER (13/32 X 1.25)
7	532 08 13-28	BOLT (1/4-20 X .94)
8	532 13 20-04	NUT (1/4-20 HEX)
9	817 41 13-12	BOLT (13-16 X .75)

NOTE: All component dimensions given in U.S. inches. 1 inch = 25.4 mm
IMPORTANT: Use only Original Equipment Manufacturer (O.E.M.) replacement parts.
 Failure to do so could be hazardous, damage your snow thrower and void your warranty.

REPAIR PARTS SNOW THROWER -- MODEL NUMBER ST 1153 EP (96182001902)

HANDLE ASSEMBLY



KEY NO.	PART NO.	DESCRIPTION
1	580 85 68-01	HANDLE ERGO SSST SHORT
2	532 44 34-33	BAIL ERGO SSST
3	532 19 15-74	BOLT HANDLE
4	532 19 19-38	KNOB WING
5	532 43 75-06	DECAL AUGER

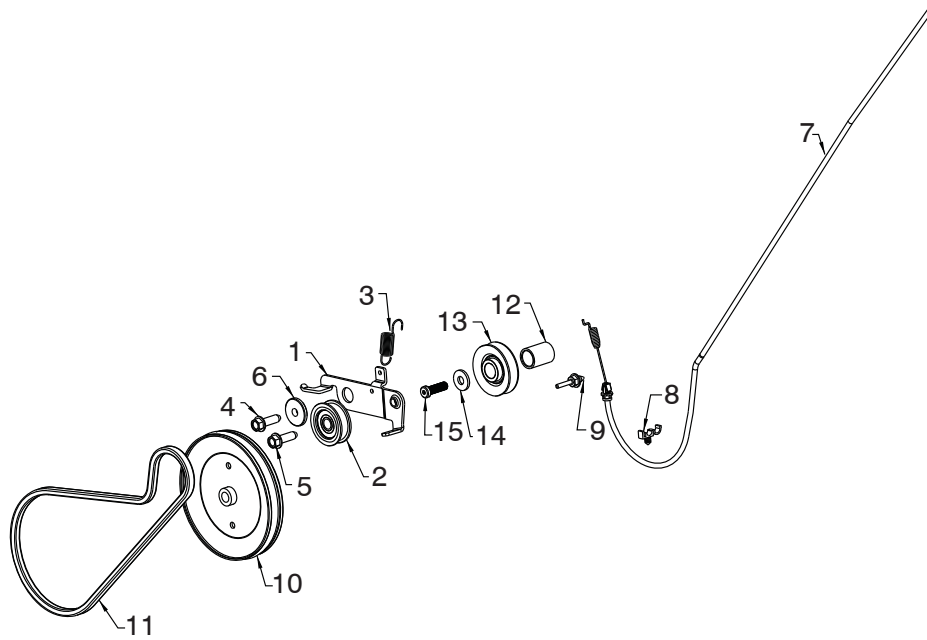
DECALS

KEY NO.	PART NO.	DESCRIPTION
--	532 17 45-72	DECAL, CANADA, IGNITION (NOT SHOWN)
--	593 36 27-01	DECAL, EPA (NOT SHOWN)
--	593 96 86-01	DECAL, CHUTE "ST1153EP" (NOT SHOWN)

NOTE: All component dimensions given in U.S. inches. 1 inch = 25.4 mm
IMPORTANT: Use only Original Equipment Manufacturer (O.E.M.) replacement parts. Failure to do so could be hazardous, damage your snow thrower and void your warranty.

REPAIR PARTS SNOW THROWER -- MODEL NUMBER ST 1153 EP (96182001902)

DRIVE ASSEMBLY

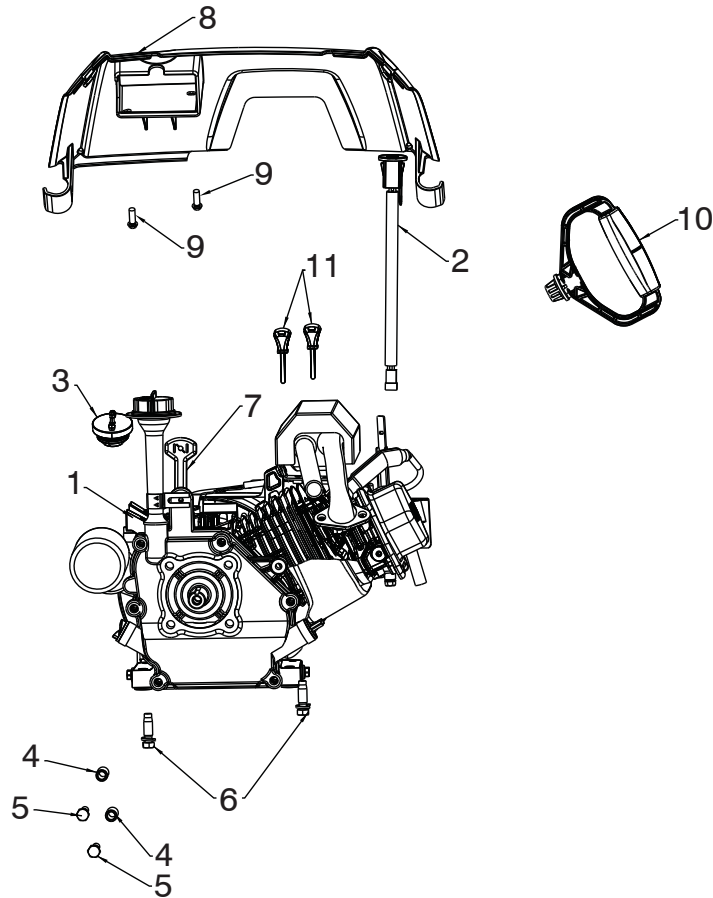


06.01.001-A

KEY NO.	PART NO.	DESCRIPTION
1	580 85 53-01	IDLER ARM
2	532 16 60-43	IDLER PULLEY
3	532 43 48-59	RETURN SPRING
4	817 06 06-20	SCREW 3/8-16 X 1-1/4 (TORQUE 13-18 FT-LBS)
5	817 06 06-20	SCREW 3/8-16 X 1-1/4 (TORQUE 22-27 FT-LBS)
6	532 19 90-92	SPACER
7	532 44 30-18	CLUTCH CABLE ASM
8	532 14 50-06	PUSH CLIP
9	532 43 45-02	BELT KEEPER
10	532 43 53-83	DRIVE PULLEY
11	532 43 72-61	BELT
12	532 43 48-60	ENGINE CRANK SPACER
13	532 42 64-90	ENGINE PULLEY
14	532 85 10-74	WASHER
15	532 43 08-17	SCREW 3/8-24 X 1/25

NOTE: All component dimensions given in U.S. inches. 1 inch = 25.4 mm
IMPORTANT: Use only Original Equipment Manufacturer (O.E.M.) replacement parts. Failure to do so could be hazardous, damage your snow thrower and void your warranty.

REPAIR PARTS SNOW THROWER -- MODEL NUMBER ST 1153 EP (96182001902) ENGINE ASSEMBLY



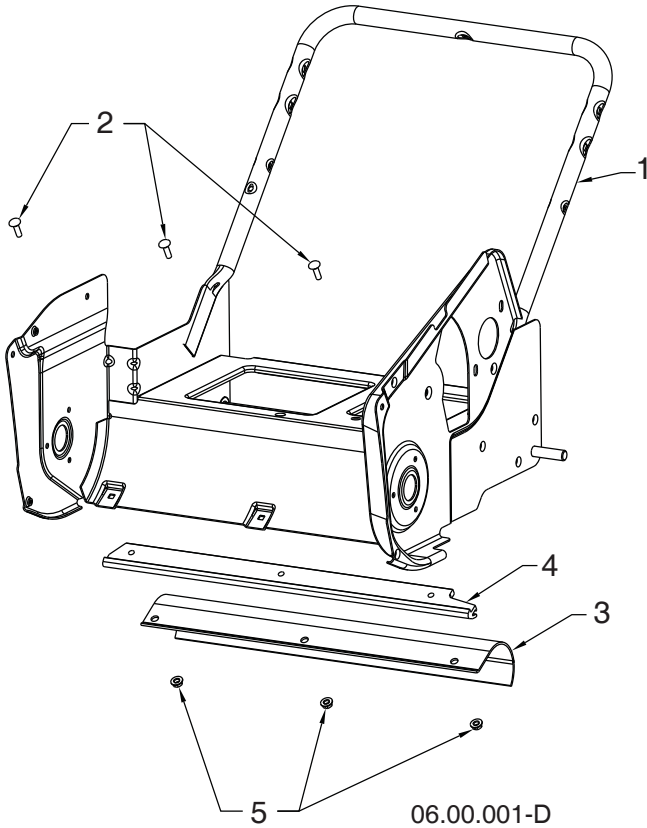
06.02.021-A

KEY NO.	PART NO.	DESCRIPTION
1	585 74 26-05	ENGINE LCT 179CC ES PW3HK1850018E
2	580 85 02-01	KEY SWITCH
3	532 43 62-35	PRIMER BULB
4	532 43 48-57	ENGINE SPACER
5	532 43 55-78	SCREW 5/16-24 X 2.00 HHCS
6	532 15 04-06	ENGINE BOLT 3/8-16 DOGPOINT
7	532 43 48-74	CHOKE LEVER
8	532 43 76-58	LOWER REAR COVER
9	817 41 13-12	SCREW HEX WSHHD #13 X .750
10	532 43 62-76	HANDLE RECOIL
11	532 44 30-59	KEY SET (QTY: 2)

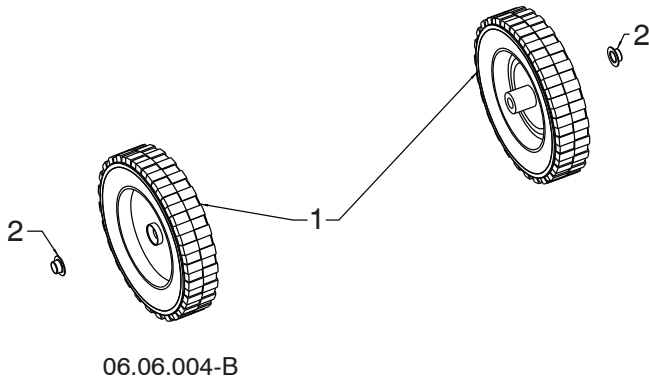
NOTE: All component dimensions given in U.S. inches. 1 inch = 25.4 mm
IMPORTANT: Use only Original Equipment Manufacturer (O.E.M.) replacement parts.
 Failure to do so could be hazardous, damage your snow thrower and void your warranty.

REPAIR PARTS SNOW THROWER -- MODEL NUMBER ST 1153 EP (96182001902)

FRAME ASSEMBLY



KEY NO.	PART NO.	DESCRIPTION
1	501 15 48-01	FRAME WELDMENT
2	872 11 04-07	BOLT CARRIAGE 1/4-20 X 7/8
3	532 44 21-46	SCRAPER SKIRT
4	580 50 26-01	BAR SCRAPER UHMW
5	532 19 17-30	NUT HEX FLANGE 1/4-20 CTR LOCK

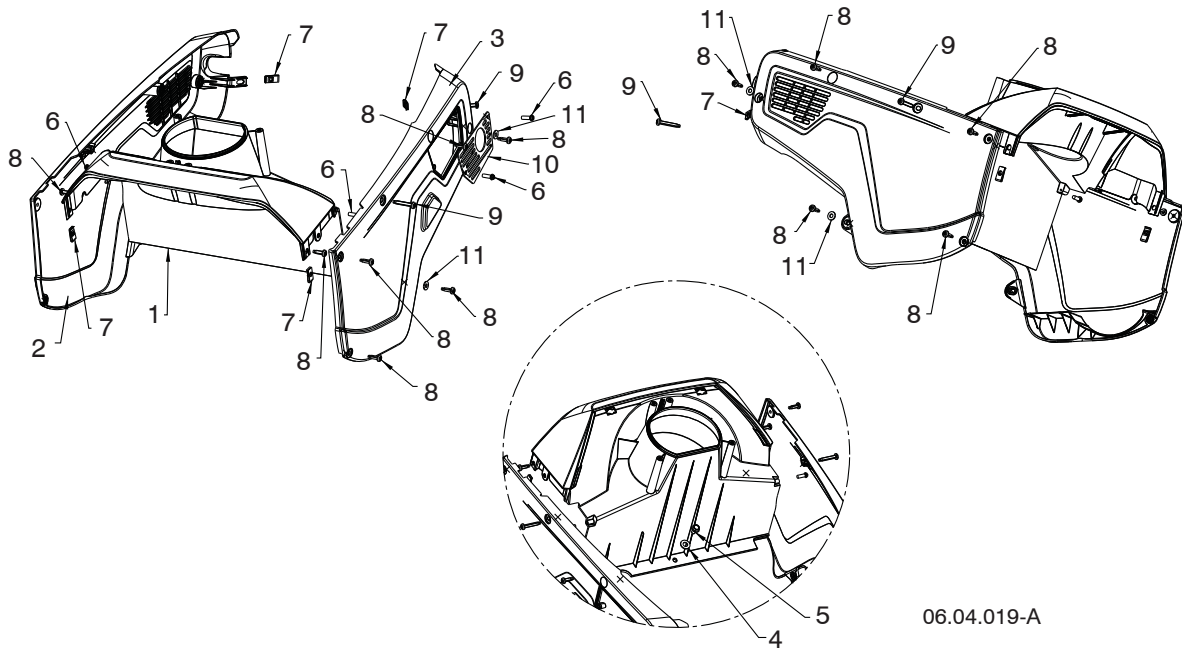


KEY NO.	PART NO.	DESCRIPTION
1	532 43 93-49	WHEEL 8"
2	532 43 54-17	PUSH NUT

NOTE: All component dimensions given in U.S. inches. 1 inch = 25.4 mm
IMPORTANT: Use only Original Equipment Manufacturer (O.E.M.) replacement parts.
 Failure to do so could be hazardous, damage your snow thrower and void your warranty.

REPAIR PARTS SNOW THROWER -- MODEL NUMBER ST 1153 EP (96182001902)

SHROUD ASSEMBLY



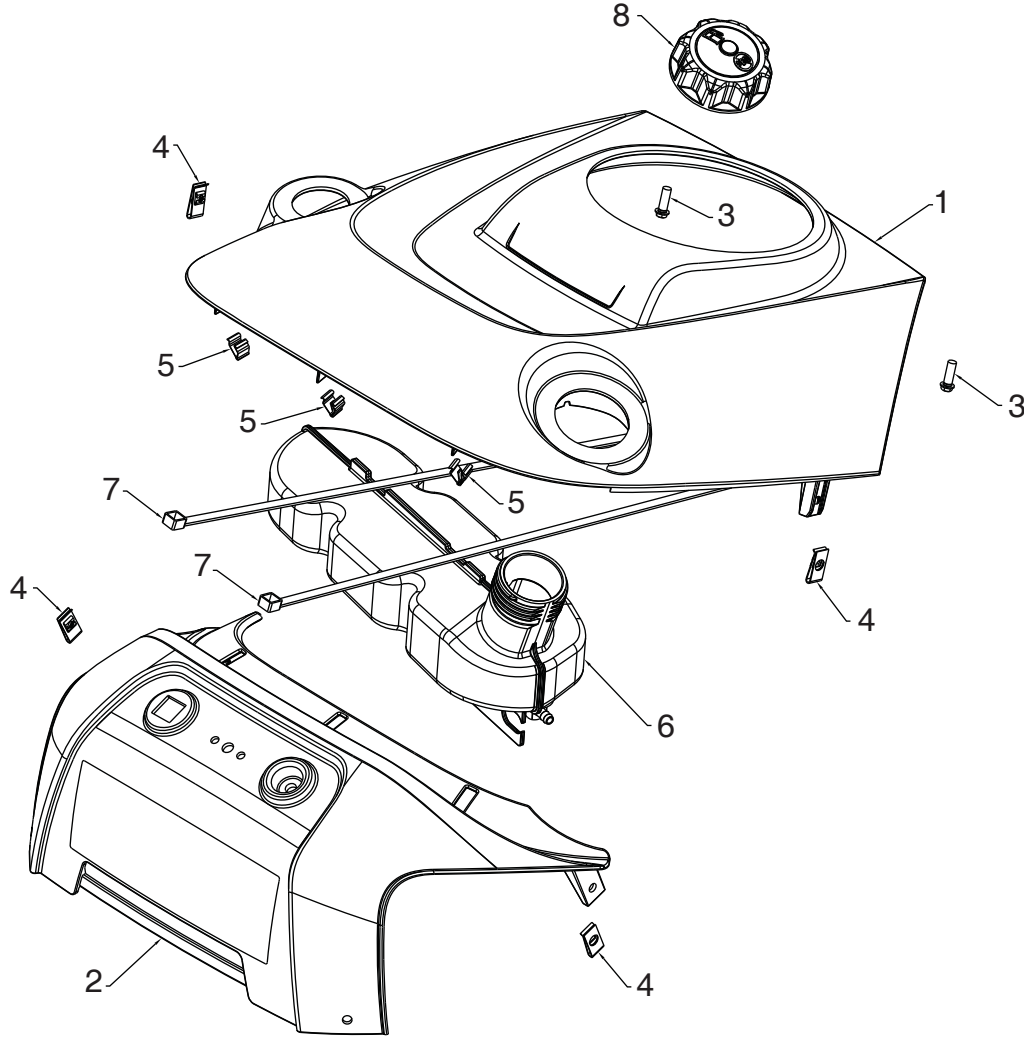
06.04.019-A

KEY NO.	PART NO.	DESCRIPTION
1	584 99 03-02	PLENUM AUGER JONSERED
2	584 98 99-02	NON-DRIVE COVER
3	584 99 00-02	DRIVE COVER SIDE
4	819 13 13-16	WASHER 13/32 X 13/16 16GA
5	532 42 88-67	BOLT 5/16-18 X .75
6	817 41 13-12	BOLT 13-16 X .75
7	532 19 66-88	THREADED CLIP
8	532 44 22-50	SCREW 1/4-20 X .75
9	532 44 42-62	SCREW 21/4-20 X 1.5
10	580 83 35-01	EXHAUST PLATE
11	819 09 10-16	WASHER FLAT 1/4 SAE

NOTE: All component dimensions given in U.S. inches. 1 inch = 25.4 mm
IMPORTANT: Use only Original Equipment Manufacturer (O.E.M.) replacement parts. Failure to do so could be hazardous, damage your snow thrower and void your warranty.

REPAIR PARTS SNOW THROWER -- MODEL NUMBER ST 1153 EP (96182001902)

SHROUD ASSEMBLY



06.04.020-B

KEY NO.	PART NO.	DESCRIPTION
1	585 06 18-03	TOP COVER
2	588 75 39-01	REAR UPPER COVER
3	817 41 13-12	BOLT 13-16 X .75
4	532 19 66-88	THREADED CLIP
5	532 43 48-68	TRIM CLIP
6	580 98 26-01	FUEL TANK ASSEMBLY
7	532 14 68-48	CABLE TIE
8	581 07 55-01	FUEL CAP/GASKET

NOTE: All component dimensions given in U.S. inches. 1 inch = 25.4 mm
IMPORTANT: Use only Original Equipment Manufacturer (O.E.M.) replacement parts. Failure to do so could be hazardous, damage your snow thrower and void your warranty.

REPAIR PARTS SNOW THROWER-- MODEL NUMBER ST 1153 EP (96182001902) ENGINE, LCT COMPLETE ENGINE-585742605

136/179/208cc Single-Stage Snow Engines

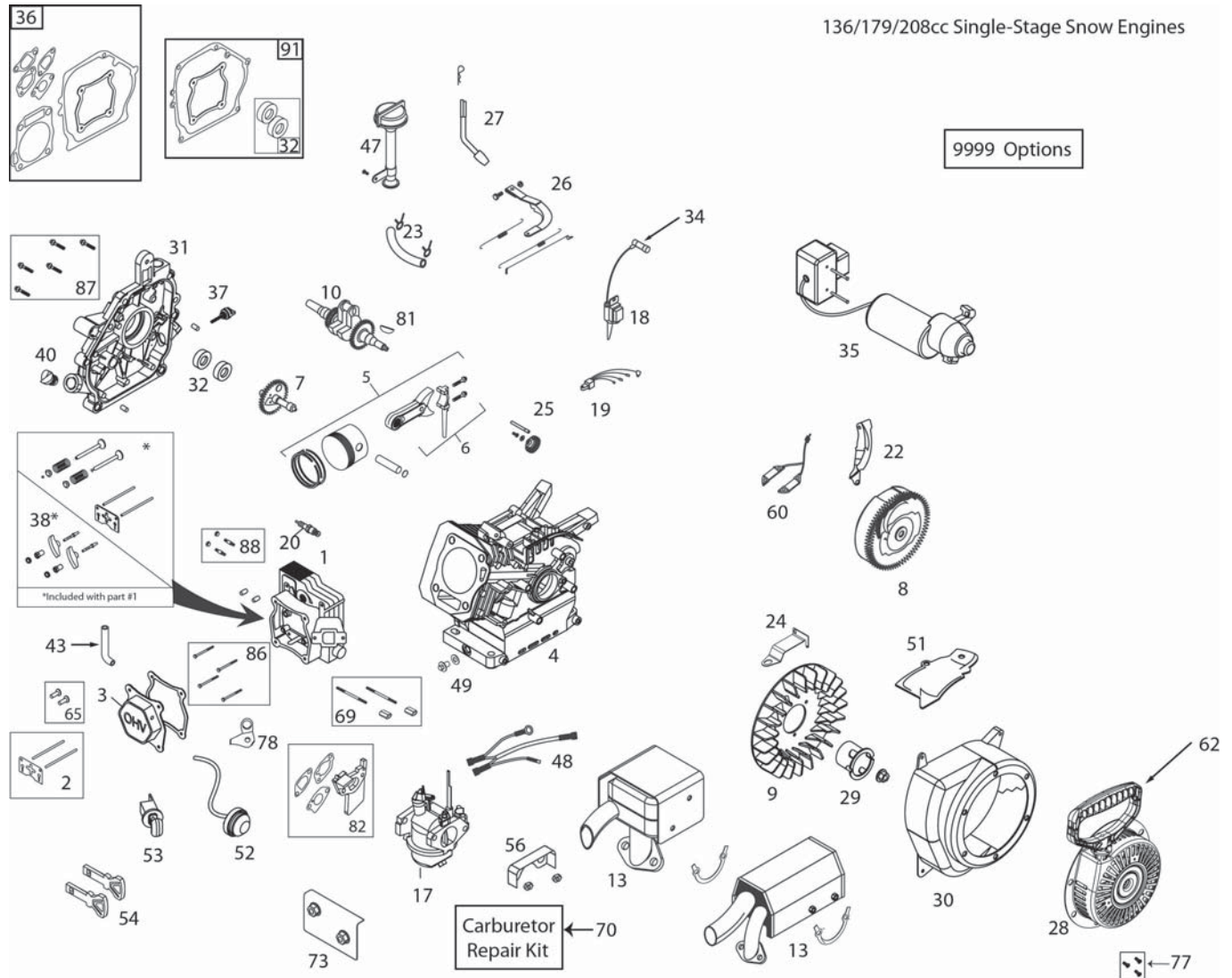


ILLUSTRATION FOR REFERENCE PURPOSES ONLY

NOTE: All component dimensions given in U.S. inches. 1 inch = 25.4 mm
IMPORTANT: Use only Original Equipment Manufacturer (O.E.M.) replacement parts.
 Failure to do so could be hazardous, damage your snow thrower and void your warranty.

REPAIR PARTS SNOW THROWER -- MODEL NUMBER ST 1153 EP (96182001902)

ENGINE, LCT

COMPLETE ENGINE-585742605

KEY PART NO.	PART NO.	DESCRIPTION	KEY PART NO.	PART NO.	DESCRIPTION
1	587 17 57-01	CYLINDER HEAD ASSEMBLY - 179CC (INCL. GASKET)	35	N/A	N/A
2	532 42 05-79	PUSH ROD & PLATE KIT (179/208CC)(INCL. VALVE COVER GSKT)	36	587 17 67-01	ENGINE GASKET KIT (179CC)
3	587 17 69-01	VALVE COVER (179/208CC) (INCL. GASKET)	37	532 42 09-61	SMALL BLACK OIL DIPSTICK (PLASTIC)
4	N/A	N/A	38	532 42 96-91	ROCKER ARM KIT (179CC) (INCL. GASKET)
5	587 17 71-01	PISTON & ROD ASSEMBLY(179CC)	40	532 42 95-98	NON-REMOVABLE PLASTIC PLUG (136/179/208/254CC)
6	N/A	N/A	43	580 35 34-01	BREATHER TUBE (136/179/208/254CC)
7	587 17 72-01	CAMSHAFT - MCR (179CC)	47	587 17 80-01	HIGH OIL-FILL TUBE/DIPSTICK (THREADED)
8	532 42 92-36	FLYWHEEL - MANUAL START (208CC)	48	532 44 42-76	WIRE HARNESS (SINGLE STAGE)-SNOW
9	532 42 05-86	COOLING FAN - FLYWHEEL (PLASTIC - 136/179/208CC)	49	532 43 54-95	OIL DRAIN PLUG W/WASHER (136/179/208/254CC)
10	587 17 61-01	CRANKSHAFT (#18 KEYED 136/179/208CC SNOW)	51	532 43 71-19	SHIELD - CYLLNDER (179/208CC SNOW)
13	532 44 42-77	MUFFLER ASSEMBLY(SINGLE STAGE)-SNOW	52	532 43 71-23	PRIMER BULB W/HOSE KIT (SINGLE STAGE)SNOW
17	587 82 12-01	CARBURETOR-179CC-SINGLE STAGE SNOW	53	532 42 49-54	KEY SWITCH - SAFETY (PUSH/PULL) SNOW (INCL. KEYS)
18	532 44 39-34	IGNITION COIL (CDI) (136/179/208/254CC)(STANDARD)	54	532 44 30-59	KEY SET - RED (2) (SNOW)
19	N/A	N/A	56	532 42 92-60	CARBURETOR VAPOR SHIELD - 179/208CC SNOW
20	532 42 49-39	SPARK PLUG	60	N/A	N/A
22	585 77 24-01	SHIELD - FLYWHEEL - MANUAL START - SNOW	62	532 42 49-68	STARTER GRIP-SNOW
23	532 43 80-14	FUEL HOSE KIT - SINGLE STAGE SNOW (318MM)	65	581 37 28-01	TAPPET KIT (179/208/254CC)(SET OF 2)
24	532 42 92-59	SPEED CONTROL BRACKET (FIXED)	69	532 42 49-51	CARBURETOR STUDS & COUPLING KIT-SNOW
25	532 42 96-46	GOVERNOR GEAR ASSEMBLY (136/179/208CC)	70	580 35 36-01	CARBURETOR REPAIR KIT (136/179/208/254CC)
26	581 76 87-01	GOVERNOR ARM & LINK KIT (208CC SNOW - 3600 FIXED RPM)	73	N/A	N/A
27	532 42 06-02	GOVERNOR ARM PADDLE	77	532 43 26-88	RECOIL BOLT KIT (INCL. (3) MTG BOLTS)
28	585 77 12-01	RECOIL STARTER (BLACK SNOW) (SINGLE-STAGE 78-INCH ROPE)(ORDER DECAL KIT SEPERATE)	78	581 45 93-01	BREATHER TUBE BRACKET
29	532 43 69-68	STARTER CUP (USE WITH ROUND STYLE STARTER) (179/208CC SNOW)	81	585 29 72-01	WOODRUFF FLYWHEEL KEYS (5-PACK) (5X6X18MM)
30	532 42 92-30	BLOWER HOUSING - BLACK MANUAL START (208CC SNOW)	82	585 02 05-03	CARBURETOR SPACER (179/208/254CC)
31	581 00 73-01	CRANKCASE COVER ASSY-HOFT (THREADED) (INCL. GASKET)	86	586 32 73-01	CYLINDER HEAD BOLT KIT (4) (136-179-208-254CC)
32	532 42 95-99	OIL SEAL KIT (2 PCS FOR 3/4-INCH CRANKSHAFT)	87	586 32 69-01	CC COVER BOLT KIT (6) (179-208-254CC)
34	532 43 69-66	SPARK PLUG BOOT - WITH METAL SHIELD (SNOW)	88	586 32 68-01	MUFFLER MTG STUD KIT (2)
			91	587 52 57-01	CRANKCASE GASKET KIT
			9999	586 32 62-01	HIGH ALTITUDE JET (>5,000 FEET)(179/208CC L17-3 CARBURETOR)

NOTE: All component dimensions given in U.S. inches. 1 inch = 25.4 mm

IMPORTANT: Use only Original Equipment Manufacturer (O.E.M.) replacement parts. Failure to do so could be hazardous, damage your snow thrower and void your warranty.

