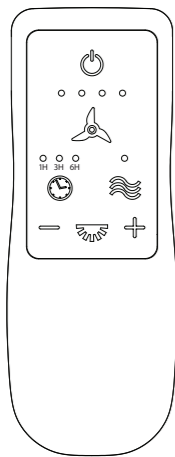


INSTALLATION AND OPERATION CEILING FAN REMOTE CONTROL



Questions, problems, missing parts? Before returning to the store, call Customer Service 8 a.m. - 7 p.m., EST, Monday-Friday, 9 a.m. - 6 p.m., EST Saturday
1-800-330-3267

We appreciate the trust and confidence you have placed in us through the purchase of this remote control. We strive to continually create quality products designed to enhance your home.
Thank you!

Safety Information

- WARNING:** To avoid possible electrical shock, turn the electricity off at the main fuse box before wiring. If you feel you do not have enough electrical wiring experience, contact a licensed electrician.
- CAUTION:** Incorrect wire connections will damage this receiver.
- CAUTION:** To reduce the risk of fire or injury, do not use this product in conjunction with any variable (rheostat) wall control.
- NOTE:** The battery will weaken with age and should be replaced before leaking takes place as this will damage the hand unit. Dispose of the used battery properly, keep the battery out of the reach of children.

Warranty

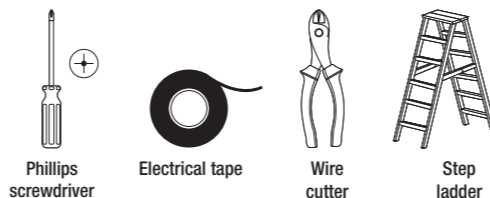
The supplier warrants the remote control and receiver to be free from defects in workmanship and material present at time of shipment from the factory for a period of one year after the date of purchase by the original purchaser. We agree to correct such defects without charge or at our option replace with a comparable or superior model if the product is returned. To obtain warranty service, you must present a copy of the receipt as proof of purchase. All costs of removing and reinstalling the product are your responsibility. Damage to any part such as by accident or misuse or improper installation or by affixing any accessories, is not covered by this warranty. Servicing performed by unauthorized persons shall render the warranty invalid. There is no other express warranty. Home Depot hereby disclaims any and all warranties, including but not limited to those of merchantability and fitness for a particular purpose to the extent permitted by law. The duration of any implied warranty which cannot be disclaimed is limited to the time period as specified in the express warranty. Some states do not allow a limitation on how long an implied warranty lasts, so the above limitation may not apply to you. The retailer shall not be liable for incidental, consequential, or special damages arising out of or in connection with product use or performance except as may otherwise be accorded by law. Some states do not allow the exclusion of incidental or consequential damages, so the above exclusion or limitation may not apply to you. This warranty gives specific legal rights, and you may also have other rights which vary from state to state. This warranty supersedes all prior warranties. Shipping costs for any return of product as part of a claim on the warranty must be paid by the customer.

Contact the Customer Service Team at 1-800-330-3267

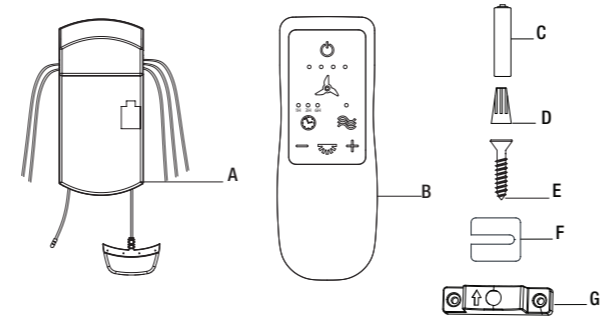
2. The power supply to the remote control receiver should be connected through a mains switch, i.e. existing wall switch.
3. Disconnect from power supply at breaker box or wall switch before working on remote control receiver or ceiling fan.
4. Install receiver into the mounting bracket/ canopy of the fan to ensure proper protection.
5. This unit is to be used for the control of ceiling fan and in a AC110/120V 60Hz power supply only.
6. Do not install in damp locations or immerse in water. (For indoor use only.)
7. Do not pull on or cut leads shorter.
8. Do not drop or bump the unit.
9. Do not mix old and new batteries.
10. Do not mix alkaline, standard (carbon-zinc), or rechargeable (ni-cad, ni-mh, etc.) batteries.

Pre-Installation

TOOLS REQUIRED



PACKAGE CONTENTS



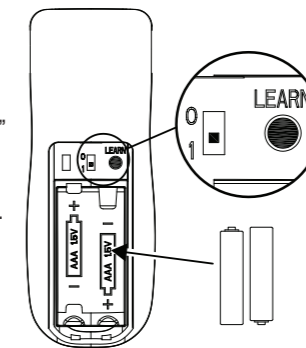
IMPORTANT: This product and/or components are governed by one or more of the following U.S. Patents: 5,947,436; 5,988,580; 6,010,110; 6,046,416, 6,210,117 and other patents pending.

| Part | Description | Quantity |
|------|------------------------|----------|
| A | Remote control | 1 |
| B | Receiver | 1 |
| C | AAA 1.5V battery | 2 |
| D | Plastic wire connector | 5 |
| E | Mounting screw | 2 |
| F | Rubber isolated pad | 2 |
| G | Wall bracket | 1 |

Installation

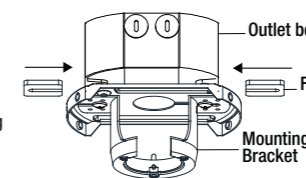
1 Pairing the remote control

- NOTE:** The remote control has already been paired at factory for your convenience. If installing two or more remote controls in your home, please follow the steps below to control each fan independently.
- Remove the battery cover by pressing firmly on the arrow and sliding the cover off.
- Install two 1.5V AAA batteries.
- Slide the dip switch in the battery compartment to the "1" setting.
- Turn the electrical power to the fan off then back on at the breaker box or the wall switch.
- Press and release the "Learn" button located in the remote's battery compartment within 30 seconds of turning the electrical power to the fan on.
- If pairing is successful, the fan's light kit will flash, the blades will begin to spin and the fan and light kit will turn off within 30 seconds.



2 Installing the rubber isolated pads

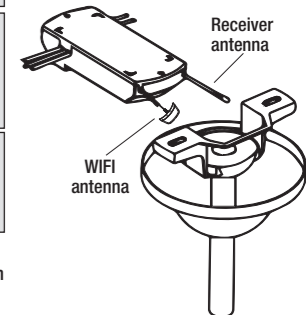
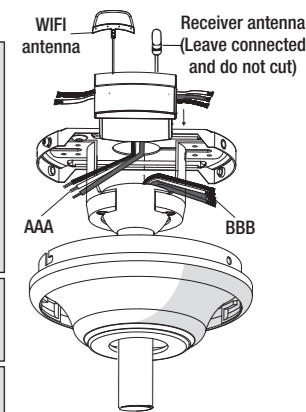
- Loosen the two screws provided with the outlet box; insert two rubber isolated pads (F) between the mounting bracket and the outlet box; firmly tightened the two screws.



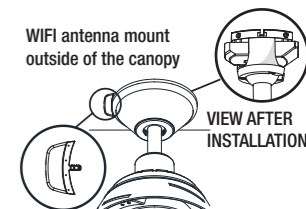
Installation (continued)

3 Installing the receiver

- WARNING:** To reduce the risk of fire or electric shock, remember to disconnect power. The electrical wiring must meet all local and national electrical code requirements. The electrical source and fan must be 110/120 volt, 60Hz. Do not use this product in conjunction with any variable wall control. Incorrect wire connection can damage this receiver.
- CAUTION:** If fan or house wires are a different color, have this unit installed by a licensed electrician.
- CAUTION:** Do not install in a damp location or immerse in water (for indoor use only). Do not pull on or cut leads shorter. Do not drop or bump the unit.
- NOTE:** You must set ceiling fan to high speed and light kit (if any) to the ON position using the pull chains (if applicable) before operating remote control.
- NOTE:** For better performance with the WIFI system, the WIFI antenna must be mounted to the ceiling outside of the fan's ceiling canopy.



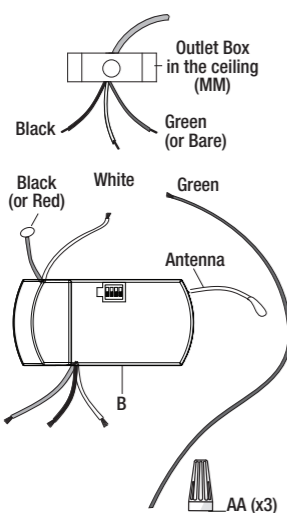
- Position the house supply wires (AAA) to one side of the slide-on mounting bracket; position the fan wires (BBB) to the opposite side.
- Insert the narrow end of the receiver (as shown, flat side towards the ceiling) into the slide-on mounting bracket until it rests on top of the ball/downrod assembly. The canopy comes up to cover the receiver and bracket.



Installation (continued)

4 Wiring the receiver to the household wiring

- WARNING:** To avoid possible electrical shock, turn the electricity off at the main fuse box before wiring. If you feel you do not have enough electrical wiring knowledge or experience, contact a licensed electrician.
- WARNING:** Each wire nut supplied with this fan is designed to accept up to one 12-gauge house wire and two wires from the fan. If you have larger than 12-gauge house wiring or more than one house wire to connect to the fan wiring, consult an electrician for the proper size wire nuts to use.
- IMPORTANT:** Use the wire connecting nuts (AA) supplied with your fan. Secure the connectors with electrical tape and ensure there are no loose strands or connections.

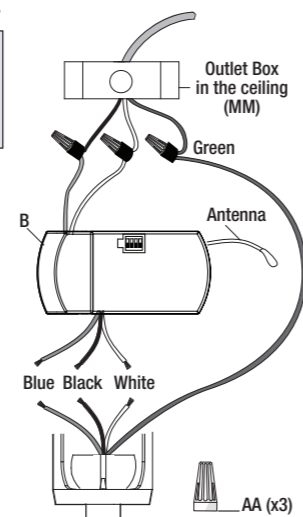


- Spread the wires apart so that the green and white wires are on one side of the outlet box and the black wire is on the other side.
- Connect the green fan wires to the household ground wire (this may be a green or bare wire) using a wire connecting nut (AA).
- Connect the receiver black (or red) wire to the household black (hot) wire using a wire connecting nut (AA).
- Connect the receiver white wire to the household white wire (neutral) wire using a wire connecting nut (AA).
- Secure each wire connecting nut using electrical tape.

Installation (continued)

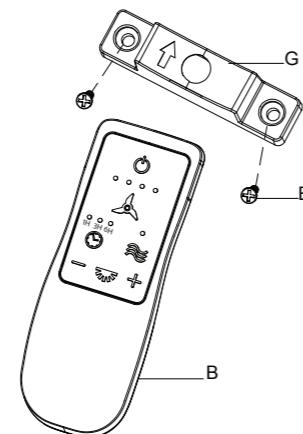
5 Wiring the fan to the receiver

- IMPORTANT:** Use the wire connecting nuts (AA) supplied with your fan. Secure the connectors with electrical tape and ensure there are no loose strands or connections.
- Connect the fan motor white wire to the receiver white wire using a wire connecting nut (AA).
- Connect the fan motor black wire to the receiver black wire using a wire connecting nut (AA).
- Connect the fan motor blue wire to the receiver blue wire using a wire connecting nut (AA).
- Secure each wire connecting nut using electrical tape.
- Turn the wire connecting nut (AA) upward and push the wiring into the outlet box (MM).



6 Mounting the transmitter to the wall

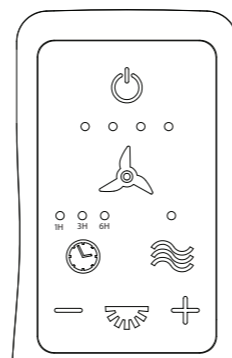
- Mount the wall bracket (G) to the wall by using the two mounting screws (E). Ensure arrow on wall bracket (G) is pointing upwards.



Operating Your Remote Control

1 Operating the remote control

- Press and release the button to turn the fan on or off.
- Fan Speed**
Press fan speed button to cycle through the fan's four speeds. LED's on the fan speed button will illuminate to the corresponding speed.
 - - Low speed.
 - - Medium-low speed.
 - - Medium-high speed.
 - - High speed.
- Light ON/OFF**
Press and release the button to turn the light on or off.
Press - to decrease the desired light level.
Press + to increase the desired light level.
- Comfort Breeze™**
Press and release the button to enable Comfort Breeze™; this will change your fan speed randomly, simulating a relaxing breeze. To cancel this feature press or .
- Timer**
 - While the fan is on press button once - turns on a 1 hour run timer.
 - While the fan is on press button twice - turns on a 3 hour run timer.
 - While the fan is on press button three times - turns on a 6 hour run timer.
 - While the fan is on press button four times - cancel the delay feature.



Operating Fan with the BOND App

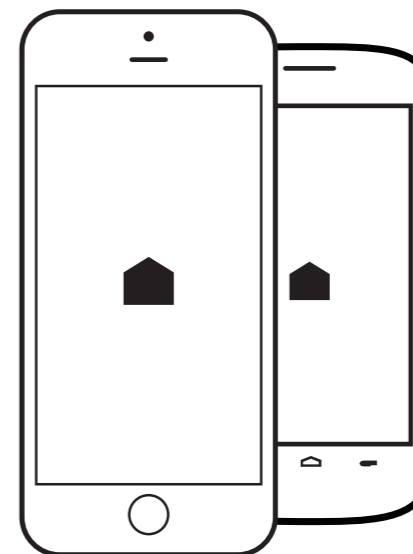
1 Downloading the BOND HOME App

- Using your smart device, navigate to the application store (Apple App Store or Google Play). Download the free BOND Home app and create an account.

NOTE: Confirm that your smart device (phone/tablet) is connected to your WIFI network before proceeding.

2 Connecting to the BOND Receiver

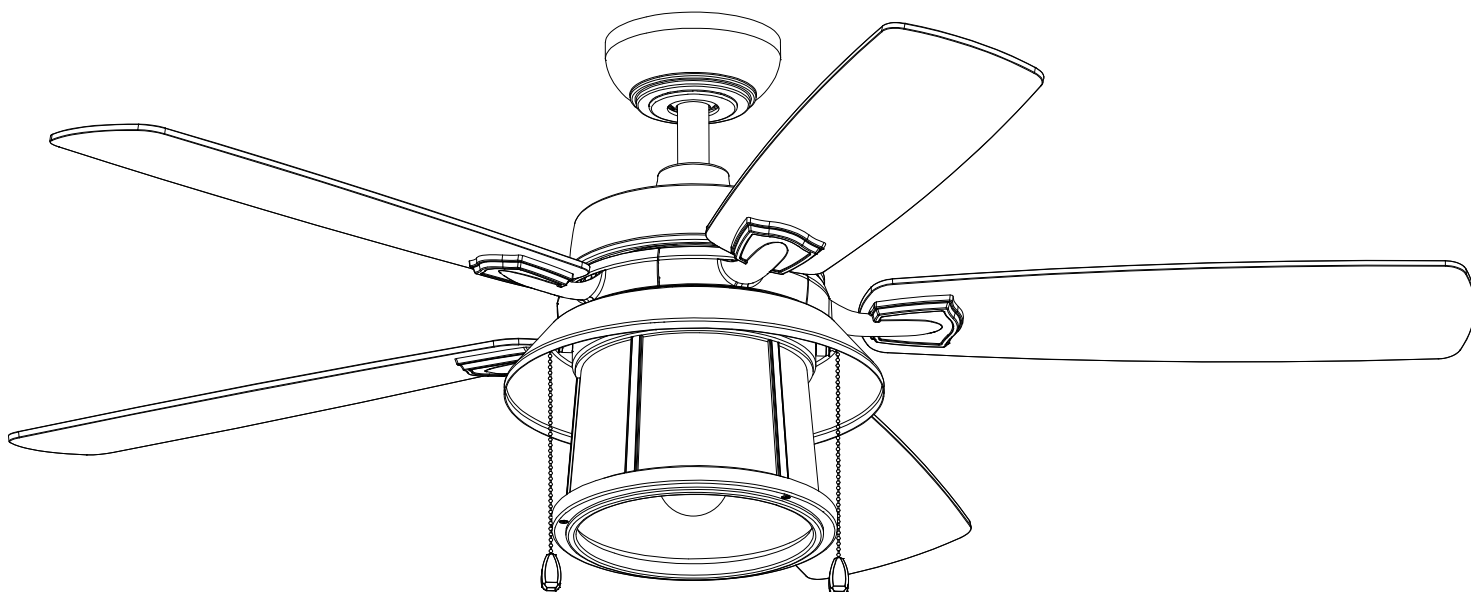
- Ensure the fan and receiver are receiving power from the house supply by using the remote control to turn the fan and light on and off.
- Open the BOND Home app on your smart device and follow the instructions included in the app to add your fan.



This equipment has been tested and found to comply with the limits for a Class B digital device, pursuant to Part 15 of the FCC Rules. These limits are designed to provide reasonable protection against harmful interference in a residential installation. This equipment generates, uses and can radiate radio frequency energy and, if not installed and used in accordance with the instructions, may cause harmful interference to radio communications. However, there is no guarantee that interference will not occur in a particular installation. If this equipment does cause harmful interference to radio or television reception, which can be determined by turning the equipment off and on, the user is encouraged to try to correct the interference by one or more of the following measures:
--Reorient or relocate the receiving antenna.
--Increase the separation between the equipment and receiver.
--Connect the equipment into an outlet on a circuit different from that to which the receiver is connected.
--Consult the dealer or an experienced radio/TV technician for help.
CAUTION:
Any changes or modifications not expressly approved by the grantee of this device could void the user's authority to operate the equipment.
FCC ID: KIJCE10723
This device complies with Part 15 of the FCC Rules. Operation is subject to the following two conditions: (1) This device may not cause harmful interference, and (2) this device must accept any interference received, including interference that may cause undesired operation.

USE AND CARE GUIDE

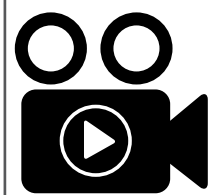
SHANAHAN 52-INCH CEILING FAN



Questions, problems, missing parts? Before returning to the store,
call Home Decorators Collection Customer Service
8 a.m. - 7 p.m., EST, Monday-Friday, 9 a.m. - 6 p.m., EST, Saturday.

1-800-986-3460

HOMEDEPOT.COM/HOMEDECORATORS



To view an instructional video on how to install this product:

1. Go to www.homedepot.com and enter either the Item or Model number, found in the top right corner of the cover of this instruction manual, in the search field.
2. Click on your product from the list of search results and click on the video link in the "Product Overview" section.

THANK YOU

We appreciate the trust and confidence you have placed in Home Decorators Collection through the purchase of this ceiling fan. We strive to continually create quality products designed to enhance your home. Visit us online to see our full line of products available for your home improvement needs. Thank you for choosing Home Decorators Collection!

Table of Contents

| | | | |
|-------------------------|---|------------------------|----|
| Table of Contents | 2 | Assembly..... | 7 |
| Safety Information..... | 2 | Operation | 12 |
| Warranty..... | 3 | Care and Cleaning..... | 13 |
| Pre-Installation | 3 | Troubleshooting..... | 13 |
| Installation..... | 6 | | |

Safety Information

READ AND SAVE THESE INSTRUCTIONS.

1. To reduce the risk of electric shock, ensure the electricity has been turned off at the circuit breaker or fuse box before you begin.
2. All wiring must be in accordance with the National Electrical Code ANSI/NFPA 70 and local electrical codes. Electrical installation should be performed by a qualified licensed electrician.
3. The outlet box and support structure must be securely mounted and capable of reliably supporting 35 lbs. (15.9 kg). Use only UL Listed outlet boxes marked "Acceptable for Fan Support of 35 lbs. (15.9 kg) or less".
4. The fan must be mounted with a minimum of 7 ft. (2.1 m) clearance from the trailing edge of the blades to the floor.
5. Do not operate the reversing switch while the fan blades are in motion. You must turn the fan off and stop the blades before you reverse the blade direction.
6. Do not place objects in the path of the blades.
7. To avoid personal injury or damage to the fan and other items, use caution when working around or cleaning the fan.
8. Electrical diagrams are for reference only. Light kits that are not packed with the fan must be UL-listed and marked suitable for use with the model fan you are installing. Switches must be UL General Use Switches. Refer to the instructions packaged with the light kits and switches for proper assembly.
9. After making electrical connections, spliced conductors should be turned upward and pushed carefully up into the outlet box. The wires should be spread apart with the grounded conductor and the equipment-grounding conductor on one side of the outlet box.
10. All setscrews must be checked and retightened where necessary before installation.
11. Suitable for use in damp locations. Use only with light kits marked "Suitable for use in damp locations".



WARNING: To reduce the risk of personal injury, do not bend the blade brackets (also referred to as flanges) during assembly or after installation. Do not insert objects in the path of the blades.



WARNING: To reduce the risk of fire or electric shock, do not use this fan with any solid-state speed control device.



WARNING: To avoid possible electrical shock, turn the electricity off at the main fuse box before wiring. If you feel you do not have enough electrical wiring knowledge or experience, contact a licensed electrician.



WARNING: Electrical diagrams are for reference only. Optional use of any light kit shall be UL-listed and marked suitable for use with this fan.



WARNING: To reduce the risk of electric shock, this fan must be installed with an isolating wall switch.



CAUTION: To reduce the risk of personal injury, use only the screws provided with the outlet box.

Warranty

The supplier warrants the fan motor to be free from defects in workmanship and material present at time of shipment from the factory for a lifetime after the date of purchase by the original purchaser. The supplier also warrants that all other fan parts, excluding any glass or acrylic blades, to be free from defects in workmanship and material at the time of shipment from the factory for a period of two years after the date of purchase by the original purchaser. We agree to correct such defects without charge or at our option replace with a comparable or superior model if the product is returned. To obtain warranty service, you must present a copy of the receipt as proof of purchase. All costs of removing and reinstalling the product are your responsibility. Damage to any part such as by accident, misuse, improper installation, or by affixing any accessories, is not covered by this warranty. Because of varying climatic conditions this warranty does not cover any changes in brass finish, including rusting, pitting, corroding, tarnishing, or peeling. Brass finishes of this type give their longest useful life when protected from varying weather conditions. A certain amount of "wobble" is normal and should not be considered a defect. Servicing performed by unauthorized persons shall render the warranty invalid. There is no other express warranty. Home Decorators Collection hereby disclaims any and all warranties, including but not limited to those of merchantability and fitness for a particular purpose to the extent permitted by law. The duration of any implied warranty which cannot be disclaimed is limited to the time period as specified in the express warranty. Some states do not allow a limitation on how long an implied warranty lasts, so the above limitation may not apply to you. The retailer shall not be liable for incidental, consequential, or special damages arising out of or in connection with product use or performance except as may otherwise be accorded by law. Some states do not allow the exclusion of incidental or consequential damages, so the above exclusion or limitation may not apply to you. This warranty gives specific legal rights, and you may also have other rights which vary from state to state. This warranty supersedes all prior warranties. Shipping costs for any return of product as part of a claim on the warranty must be paid by the customer.

Contact the Customer Service Team at 1-800-986-3460 or visit www.HomeDepot.com/homedecorators.

Pre-Installation

SPECIFICATIONS

| Size | Speed | Volts | Amps | Watts | RPM | CFM | Net Weight | Gross Weight | Cube Feet |
|--------|--------|-------|------|-------|-----|------|------------------------|-----------------------|--------------|
| 52 in. | Low | 120 | 0.26 | 15 | 75 | 2139 | 19.40 lbs. (8.8 kg) | 22.05 lbs. (10 kg) | 1.965 cu.ft. |
| | Medium | | 0.38 | 32 | 120 | 3423 | | | |
| | High | | 0.53 | 64 | 160 | 5031 | | | |



NOTE: These are approximate measures. They do not include the Amps and Wattage used by the light kit.

TOOLS REQUIRED



Phillips
screwdriver



Flat blade
screwdriver



Adjustable
wrench



Electrical
tape



Wire
cutter



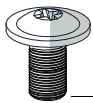
Step ladder

Pre-Installation (continued)

HARDWARE INCLUDED



NOTE: Hardware not shown to actual size.



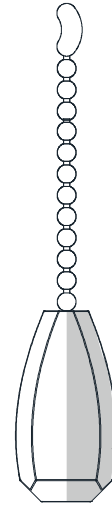
AA



BB



CC

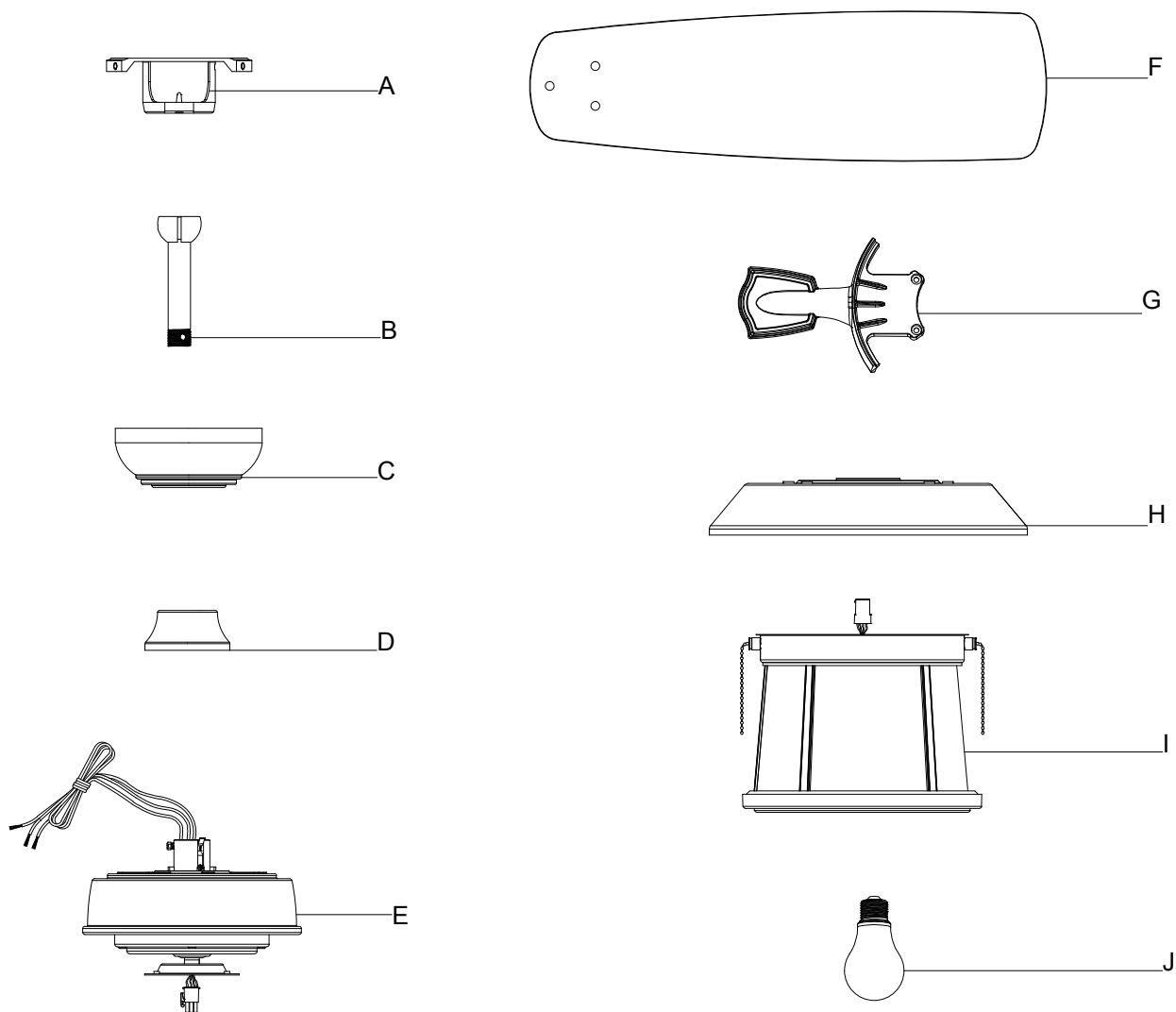


DD

| Part | Description | Quantity |
|------|---------------------------|----------|
| AA | Blade attachment screws | 16 |
| BB | Plastic wire connector | 3 |
| CC | Extra blade bracket screw | 1 |
| DD | Pull chain | 2 |

Pre-Installation (continued)

PACKAGE CONTENTS



| Part | Description | Quantity |
|------|---|----------|
| A | Slide-on mounting bracket (inside canopy) | 1 |
| B | Ball/downrod assembly | 1 |
| C | Canopy | 1 |
| D | Decorative motor collar cover | 1 |
| E | Fan-motor assembly | 1 |

| Part | Description | Quantity |
|------|----------------------|----------|
| F | Blade | 5 |
| G | Blade arm | 5 |
| H | Light kit pan | 1 |
| I | Glass shade assembly | 1 |
| J | LED bulb | 1 |



IMPORTANT: This product and/or components are governed by one or more of the following U.S. Patents: 5,947,436; 5,988,580; 6,010,110; 6,046,416; 6,210,117 and other patents pending.

Installation

MOUNTING OPTIONS

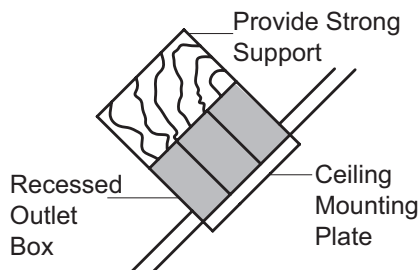
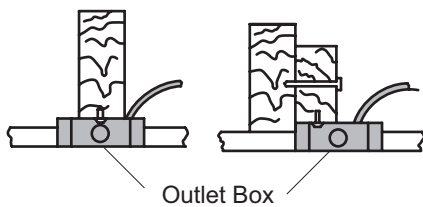
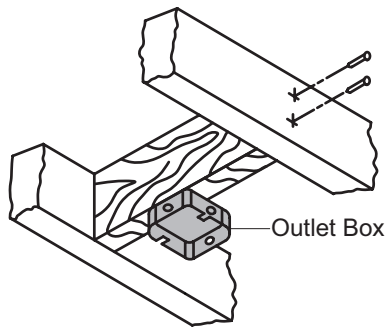


WARNING: To reduce the risk of fire, electric shock, or personal injury, mount the fan to an outlet box marked "Acceptable for fan support of 35 lbs. (15.9 kg) or less" and use the screws provided with the outlet box. An outlet box commonly used for the support of lighting fixtures may not be acceptable for fan support and may need to be replaced. If in doubt, consult a qualified electrician.

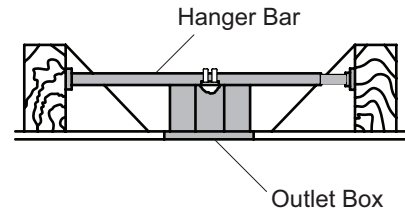
If your ceiling fan does not have an existing UL-listed mounting box, then install one using the following instructions:

- Disconnect the power by removing the fuses or turning off the circuit breakers.
- Secure the outlet box directly to the building structure. Use the appropriate fasteners and materials. The outlet box and its bracing must be able to fully support the weight of the moving fan (at least 35 lbs.). Do not use a plastic outlet box.

The illustrations below show three different ways to mount the outlet box.



NOTE: You may need a longer downrod to maintain proper blade clearance when installing on a steep, sloped ceiling. The maximum angle allowable is 30° away from horizontal.



If the canopy (C) touches the ball/downrod assembly (B), then remove the decorative canopy bottom cover and turn the canopy (C) 180° before attaching the canopy (C) to the mounting plate.

To hang your fan where there is an existing fixture but no ceiling joist, you may need an installation hanger bar as shown above (available at any Home Depot store).

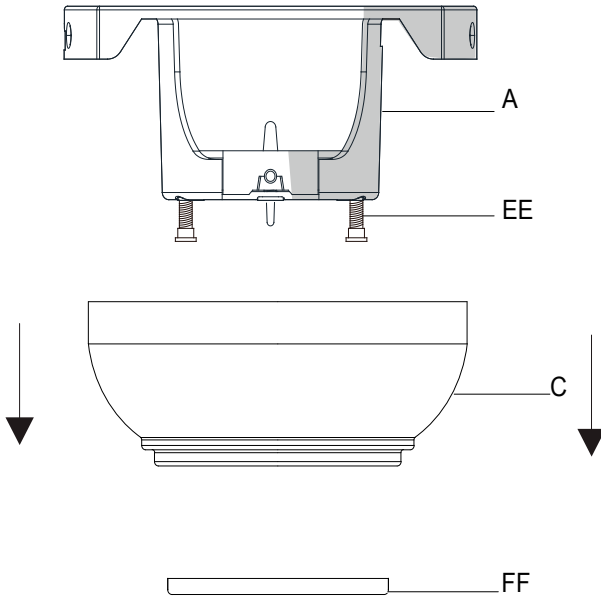
Assembly - Standard Ceiling Mount

1 Preparing for standard mounting



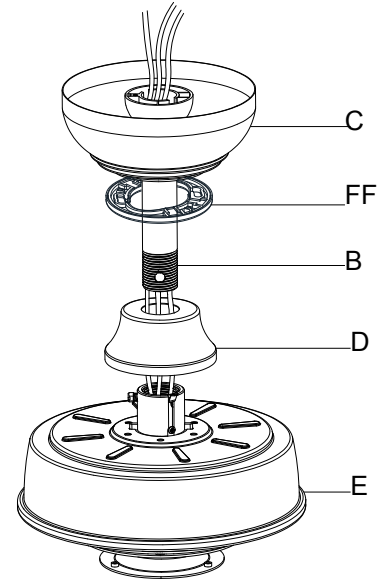
NOTE: The magnet is pre-attached on the canopy bottom cover for you to remove and install easily.

- Pull off the canopy bottom cover (FF) from the canopy (C).
- Loosen the two canopy screws (EE) located in the bottom of the mounting bracket (A), and turn the canopy counterclockwise to remove the mounting bracket (A) from the canopy (C).



2 Routing the wires

- Route the wires exiting the top of the fan motor assembly (E) through the decorative motor collar cover (D) and then the center of the canopy bottom cover (FF).
- Make sure the opening of canopy (C) is on top and insert the ball/downrod (B) through the canopy (C).
- Route the wires exiting the top of the fan motor assembly (E) through the downrod as shown.



3 Assembling the fan

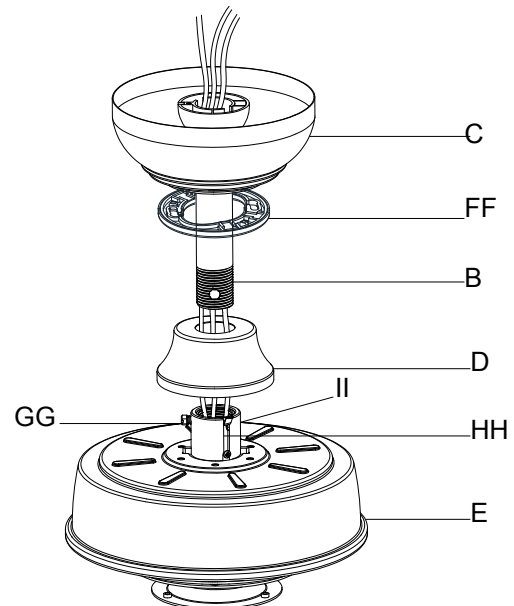


CAUTION: To ensure wobble-free operation and to avoid damage to the fan, the downrod (B) and the setscrew (GG) must be completely tightened.



NOTE: This fan is equipped with a safety tab (HH). Should the setscrew (GG) ever become loose while the fan is running in reverse, the safety tab (HH) will engage and stop the fan from falling.

- Loosen, but do not remove, the setscrew (GG) on the collar (II) on top of the fan-motor assembly (E).
- Install the downrod (B) by inserting it into the motor collar (II), and turning it clockwise until it is tight.
- Re-tighten the setscrew (GG) on the collar (II) on top of the fan motor assembly (E).



Assembly - Hanging the Fan

1 Attaching the fan to the electrical box

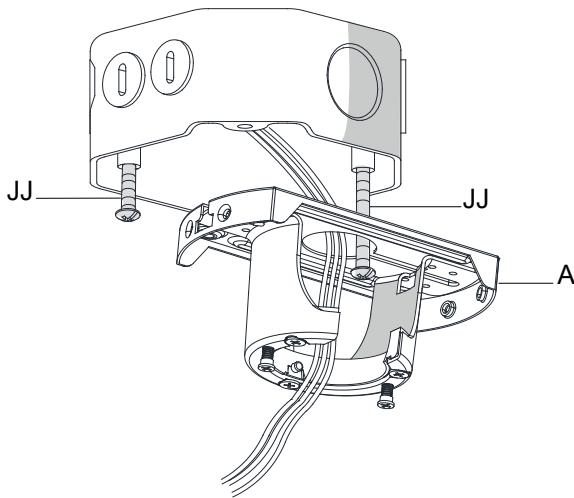


WARNING: To reduce the risk of fire, electric shock, or other personal injury, mount the fan to an outlet box or supporting system marked "Acceptable for fan support of 35 lbs. (15.9 kg) or less" and use the mounting screws provided with the outlet box.



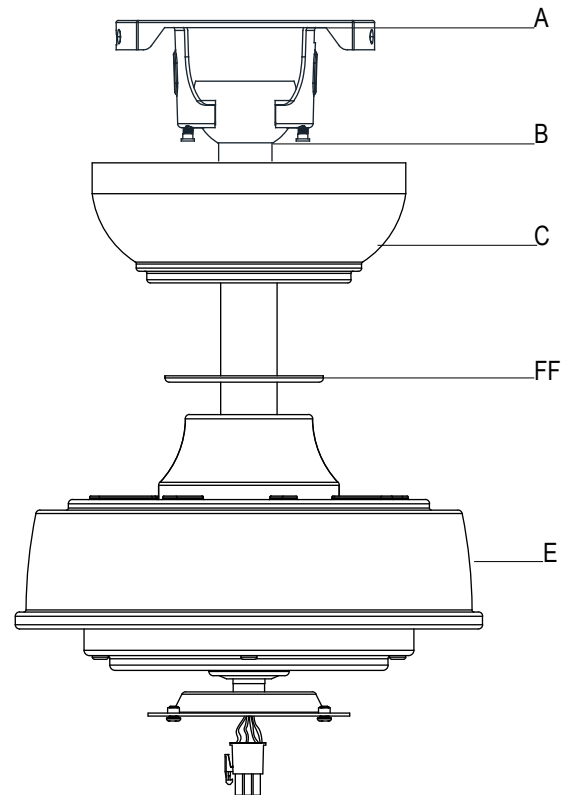
NOTE: The mounting bracket (A) is designed to slide into place on an outlet box with the outlet box screws (JJ).

- Pass the 120-Volt supply wires through the center hole in the slide-on mounting bracket (A).
- Install the ceiling slide-on mounting bracket (A) on the outlet box by sliding the slide-on mounting bracket (A) over the two screws (JJ) provided with the outlet box. If necessary, use leveling washers (not included) between the slide-on mounting bracket (A) and the outlet box. Note that the flat side of the slide-on mounting bracket (A) is toward the outlet box.
- Securely tighten the two mounting screws (JJ).



2 Hanging the fan

- Carefully lift the fan-motor assembly (E) up to the slide-on mounting bracket (A).
- Seat the hanger ball portion of the ball/downrod assembly (B) in the mounting bracket socket. Ensure that the tab on the slide-on mounting bracket (A) socket is properly seated in the groove in the hanger ball.



Assembly - Hanging the Fan (continued)

3 Making the electrical connections



WARNING: Each wire nut supplied with this fan is designed to accept up to one 12-gauge house wire and two wires from the fan. If you have larger than 12-gauge house wiring or more than one house wire to connect to the fan wiring, consult an electrician for the proper size wire nuts to use.



IMPORTANT: Use the plastic wire connectors (BB) supplied with your fan. Secure the connectors with electrical tape and ensure there are no loose strands or connections.



NOTE: The fan comes with 54 in. lead wires for use with an extended ball/downrod assembly. If using the 6 in. ball/downrod assembly (B) provided, you can cut the lead wires to your desired length (no shorter than 12 in.).

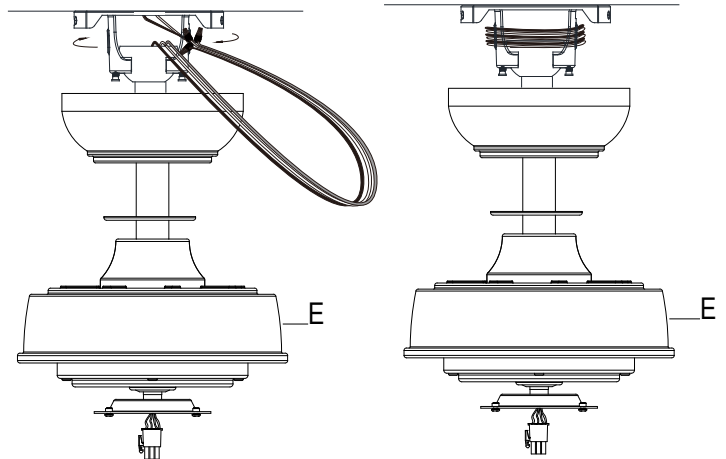
- Please refer to the **Smart Universal Remote Control installation instructions at the beginning of this document**

4 Wrapping the extra wire



NOTE: Follow this step **ONLY** if you did not cut the extra length from the wires coming from the ceiling fan.

- Gently wrap the excess wire around the mounting bracket (A).
- Secure the wires with electrical tape.



Assembly - Hanging the Fan (continued)

5 Mounting the fan-motor assembly (standard mount)

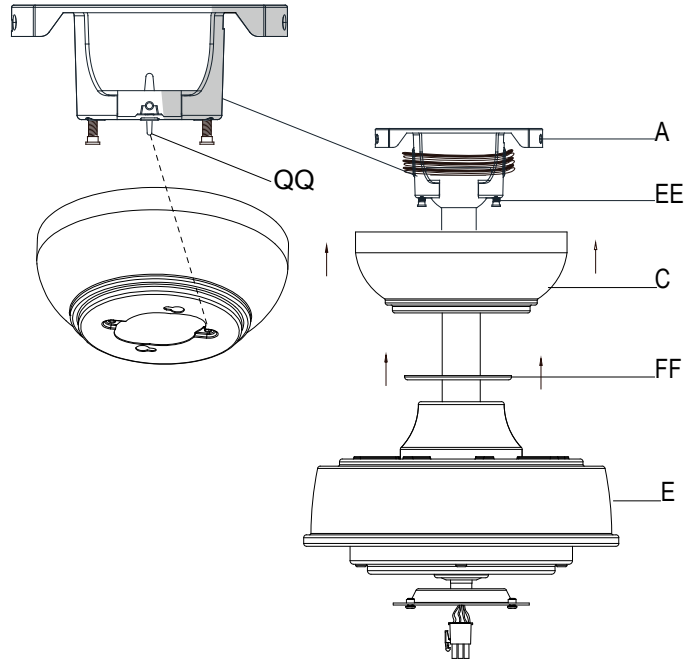


WARNING: When using the standard ball/downrod mounting, the tab in the ring at the bottom of the mounting bracket must rest in the groove of the hanger ball. Failure to properly seat the tab in the groove could cause damage to the wiring.



NOTE: The magnet is pre-attached on the canopy bottom cover for you to remove and install easily.

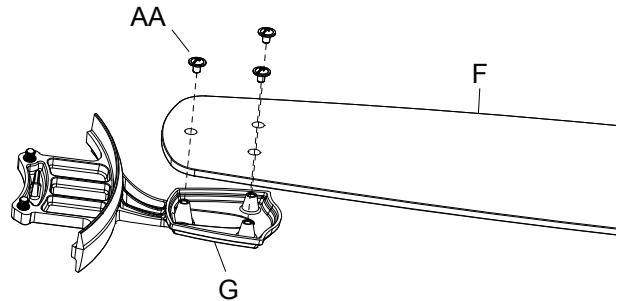
- Align the locking slots of the canopy (C) with the two screws (EE) and alignment post (QQ) in the mounting bracket (A).
- Push up the canopy (C) and turn clockwise until the alignment post (QQ) engage to the round hole and the screws (EE) engage to the key slots.
- Firmly tighten the two mounting screws (EE).
- Align the oval shape on the canopy (C) with canopy bottom cover (FF), Push up the canopy bottom cover (FF) until the screw (EE) heads engage to the slots on the canopy bottom cover (FF) so that the magnetic canopy bottom cover (FF) can be attached to the bottom of the canopy (C) properly.



Assembly - Attaching the Blades

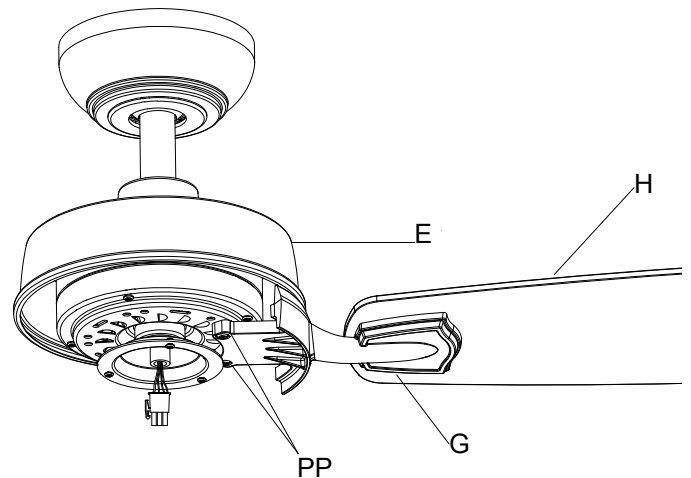
1 Attaching the blades to the blade brackets

- Attach a blade (F) to the blade bracket (G) by inserting the screws (AA) into the holes in the blade (F) and through the blade bracket (G).
- Tighten each screw securely.
- Repeat this step for each blade and blade bracket.



2 Fastening the blade assemblies to the motor

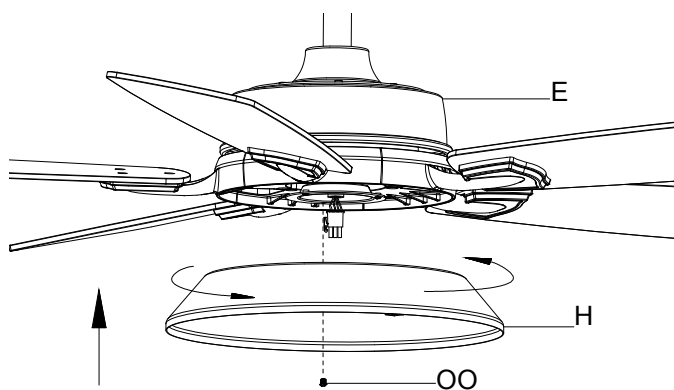
- Fasten the blade/blade bracket assembly to the fan motor assembly (E) by inserting the alignment into the slot on the bottom of the motor and tightening the pre-installed blade bracket screws (PP).
- Repeat this step for the remaining blade assemblies.



Assembly - Attaching the Light

1 Attaching the light kit pan

- Remove one screw (OO) from the black bracket below fan motor assembly (E), and loosen, but do not remove the other two screws.
- Push the light kit pan (H) up to the black bracket so that the two loosened screw heads fit into the keyhole slots. Turn the light kit pan (H) clockwise to secure.
- Re-install the screw (OO) that was removed in step 1.
- Make sure all the screws are firmly tightened.



2 Attaching the glass shade assembly

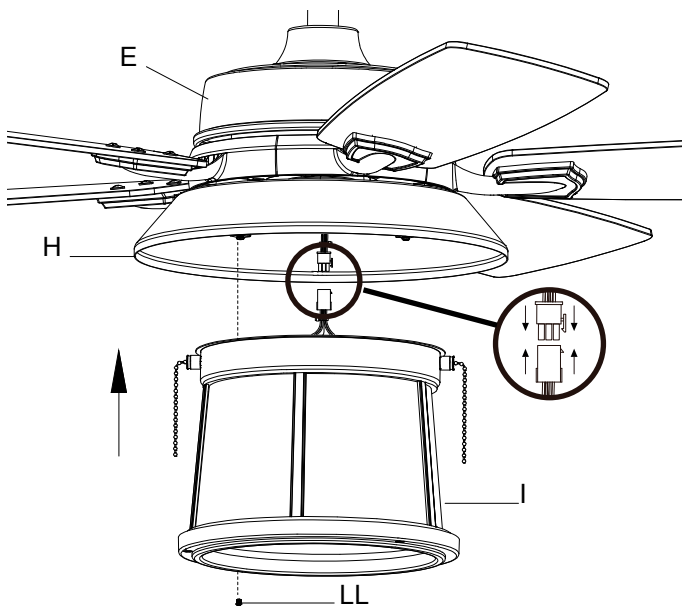


IMPORTANT: It is critical to attach the light kit pan using the quick connector. The fan will not operate unless the light kit pan is connected to the fan.



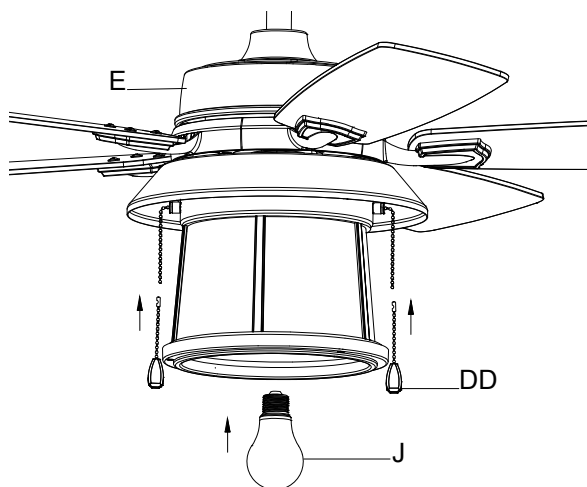
CAUTION: To reduce the risk of electric shock, disconnect the electrical supply circuit to the fan before installing the light fixture.

- Remove one screw (LL) from the light kit pan (H), and loosen, but do not remove the other two screws.
- Connect the wires from the glass shade assembly (I) to the wires from the fan motor assembly (E) by connecting the molded adaptor plugs together. Carefully tuck all wires and splices into the switch cup.
- Push the glass shade assembly (I) up to the light kit pan (H) so that the two loosened screw heads fit into the keyhole slots. Turn the light kit fitter assembly (H) clockwise to secure.
- Re-install the screw (LL) that was removed from the glass shade assembly (I).
- Make sure all the screws are firmly tightened.



3 Installing the light bulbs

- With power off, install the light bulbs by screwing it into the light bulb socket.
- Attach the pull chain extensions (DD) provided to the light pull chain and fan pull chain.



Operating Your Fan

Turn on the power and check the operation of the fan. The fan pull chain controls the fan speed as follows:

1 pull- High; 2 pulls- Medium, 3 pulls-Low, 4 pulls-off.

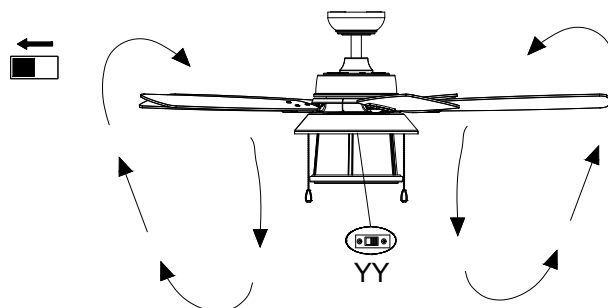
Speed setting for warm or cool weather depends on factors such as the room size, ceiling height, number of fans and so on.

The fan is shipped from the factory with the reversing switch (YY) positioned to circulate air downward. If airflow is desired in the opposite direction, turn your fan off and wait for the blades to stop turning, then slide the reversing switch (located on the underside of the light kit mpan) to the opposite position, and turn the fan on again. The fan blades will turn in the opposite direction and reverse airflow.

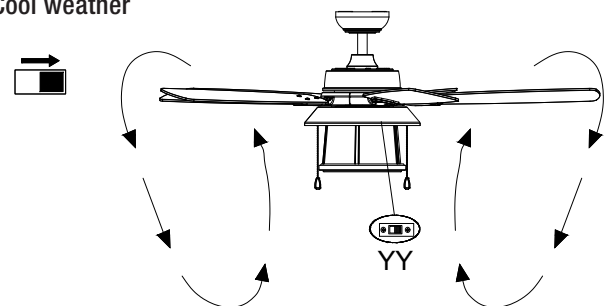
Warm weather - (Forward) A downward airflow creates a cooling effect. This allows you to set your air conditioner on a higher setting without affecting your comfort.

Cool weather - (Reverse) An upward airflow moves warm air off of the ceiling. This allows you to set your heating unit on a lower setting without affecting your comfort.

A. Warm weather



B. Cool weather



Care and Cleaning



WARNING: Make sure the power is off before cleaning your fan.

- Because of the fan's natural movement, some connections may become loose. Check the support connections, brackets, and blade attachments twice a year. Make sure they are secure. It is not necessary to remove the fan from the ceiling.
- Clean your fan periodically to help maintain its new appearance over the years. Do not use water when cleaning, as this could damage the motor, or the wood, or possibly cause an electrical shock. Use only a soft brush or lint-free cloth to avoid scratching the finish. The plating is sealed with a lacquer to minimize discoloration or tarnishing.
- You can apply a light coat of furniture polish to the wood for additional protection and enhanced beauty. Cover small scratches with a light application of shoe polish.
- You do not need to oil your fan. The motor has permanently-lubricated sealed ball bearings.

Troubleshooting

| Problem | Solution |
|-------------------------|---|
| The fan will not start. | <ul style="list-style-type: none">□ Check the main and branch circuit fuses or breakers.□ Check to make sure the wall switch is in the on position if applicable.□ Check the line wire connections to the fan and switch wire connections in the switch housing.□ Check the battery in the transmitter.□ Ensure you are in the normal range of 10-20 feet.□ Ensure the dip switch settings are the same on the transmitter and receiver.□ Remember to turn off the power supply before checking the dip switches settings. |
| The fan is noisy. | <ul style="list-style-type: none">□ Ensure all motor housing screws are snug.□ Ensure the screws that attach the fan blade bracket to the motor hub are tight.□ Ensure the wire nut connections are not rattling against each other or the interior wall of the switch housing.□ Allow a 24-hour "breaking in" period. Most noises associated with a new fan disappear during this time.□ If you are using the ceiling fan light kit, ensure the screws securing the glassware are tight. Check that the light bulbs are also secure.□ Ensure the canopy is a short distance from the ceiling. It should not touch the ceiling.□ Ensure your outlet box is secure and rubber isolator pads were used between the mounting plate and outlet box. |
| The fan wobbles. | <ul style="list-style-type: none">□ Check that all blade and blade arm screws are secure.□ Most fan wobble problems are caused when blade levels are unequal. Check this level by selecting a point on the ceiling above the tip of one of the blades. Measure from a point on the center of each blade to the point on the ceiling. Rotate the fan until the next blade is positioned for measurement. Repeat for each blade. Any measurement deviation should be within 1/8". Run the fan for ten minutes. If the fan continues to wobble please contact Customer Service and a balancing kit will be sent to you at no charge. |

HOME DECORATORS COLLECTION

Questions, problems, missing parts? Before returning to the store,
call Home Depot Customer Service
8 a.m. - 7 p.m., EST, Monday-Friday, 9 a.m. - 6 p.m., EST, Saturday.

1-800-986-3460

[HOMEDEPOT.COM/HOMEDECORATORS](https://www.homedepot.com/homedecorators)

Retain this manual for future use.