



shown in Polished Chrome
with 60" Walnut blades



Irene-5HLK

Designed in 2016

Cutting a figure like no other, the Irene-5HLK ceiling-mount fan, is rustic, yet strikingly modern with five neatly joined, solid wood walnut or barn wood tone blades. A cylindrical motor housing complements its minimal profile. Irene-5HLK is streamline while still appearing warm and natural. Constructed of cast aluminum and heavy stamped steel, the Irene-5HLK has a limited lifetime warranty.



shown in Brushed Nickel
with 52" Walnut blades



shown in Textured Bronze
with 42" Barn Wood blades



shown in Brushed Nickel
with 52" Walnut blades
and optional light cover

Irene-5HLK

TECHNICAL SPECIFICATIONS

CEILING PITCH TABLE

0/12	0 degrees
1/12	4.76 degrees
2/12	9.46 degrees
3/12	14.04 degrees
4/12	18.43 degrees
5/12	22.62 degrees
6/12	26.57 degrees
7/12	30.26 degrees
8/12	33.69 degrees
9/12	36.87 degrees
10/12	39.81 degrees
11/12	42.51 degrees

CEILING HEIGHT TABLE

Suitable for ceiling heights 7'10" or greater

SKU NAMING CONVENTION

SKU#	IR5HLK-XX-XX-XX (Model+Finish+Blade+Diameter)
Standard Finishes	Brushed Nickel - BN Polished Chrome - CR Textured Bronze - TB
Special Order	Gloss White - WH Matte Black - BK
Blade Finish	Barn Wood Tone - BW Walnut Tone - WA
Fan Diameter	42 inches / 107 cm - 42 52 inches / 132 cm - 52 60 inches / 152 cm - 60

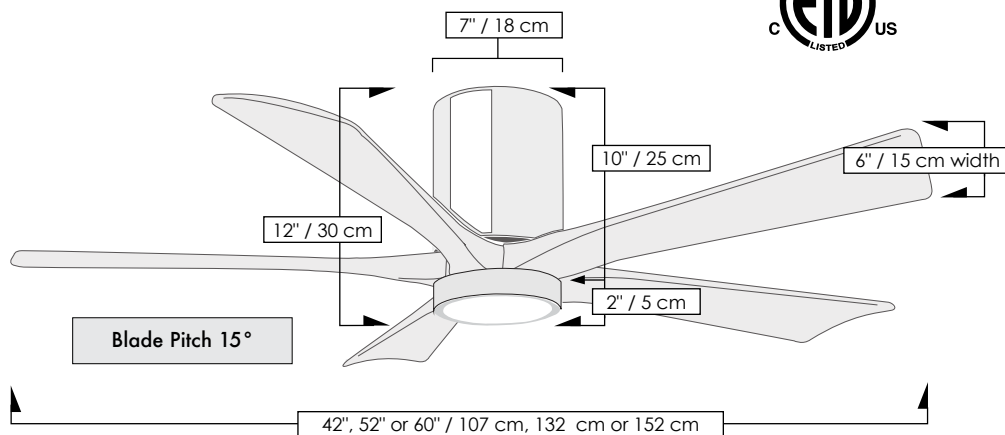
STANDARD EQUIPMENT

Light cover

6-speed RF remote control with reverse function in black



Wireless Decora-style, 6-speed, wall control in white



FAN SPECIFICATIONS

Fan Diameters	inches: 42, 52 or 60 centimeters: 107, 132 or 152
Overall Drop	12 inches / 30 cm
Fan Weight	13 lbs
Voltage	110 (Please contact us for 220 conversion)
Motor Type	DC
Remote Control	Hand-held, wall-mountable, 6-speed with reverse
Wall Control	Decora-style wall control: DC-WC
Environment	Damp locations for all finishes Neither coastal, saltwater nor chlorine compatible
Ambience	Silent
Safety Certification	ETL / CETL
Warranty	Limited Lifetime

MOTOR EFFICIENCY DATA AT HIGH SPEEDS

	42 inch / 107 cm	52 inch / 132 cm	60 inch / 152 cm
RPM	220	179	88
CFM	4214.69	4748.66	3659.71
Watts	31.66	31.12	30.78
CFM/Watt	133.12	152.59	118.90
Blade Pitch	15°	15°	15°

LIGHT KIT PHOTOMETRICS

Lamping (Replaceable)	Remote Dimmable	Temperature	Delivered Lumens	CRI	Watts	Hours
Integrated LED	Yes	3075 K	690	90	16	60,000

Matthews Fan Company

1881 Industrial Drive
Libertyville, IL 60048

Tele: 847.680.9043

Fax: 847.680.8140

www.matthewsfanco.com

All rights reserved. © 2017 Matthews Fan Company.

