

INSTALLATION MANUAL

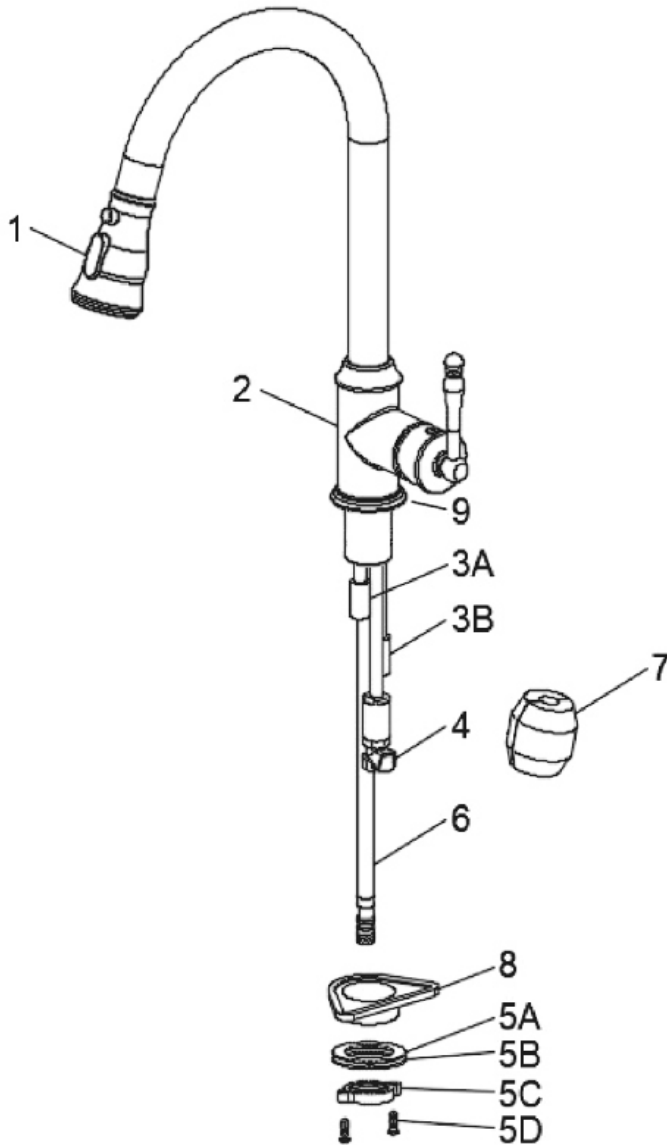
Single Handle Pull-down Kitchen Faucet

KF0007	KF0010
KF0008	KF0011
KF0009	KF0012
KF0013	KF0015
KF0014	KF0016
KF0020	KF0017
	KF0018
	KF0019

Prior to Installation:

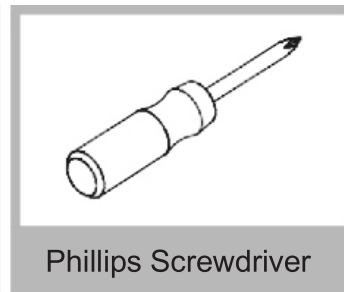
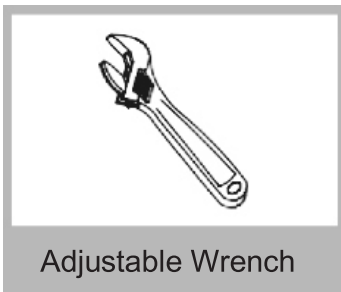
- Make sure you have all necessary parts by checking the diagram and parts list. If any part is missing or damaged, please contact Customer Service at (888)808-0450 for a replacement
- Turn off the cold and hot water at the angle stops and turn on the old faucet to release any built up pressure
- Flush angle stops to release any debris prior to installation

Diagram and Parts List

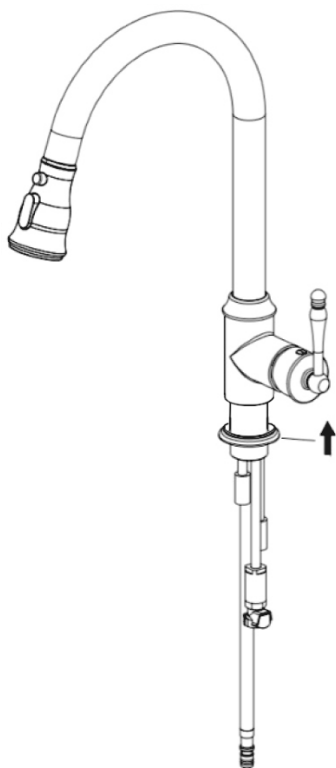


1. Spray Head
2. Faucet Body
3. Hot and Cold Waterlines
 - A. Cold
 - B. Hot
4. Quick Connector
5. Mounting Hardware
 - A. Rubber Washer
 - B. Metal Washer
 - C. Mounting Nut
 - D. Mounting Screws
6. Nylon braided hose
7. Weight
8. Cambox
9. Base O-Ring

Tools you will need

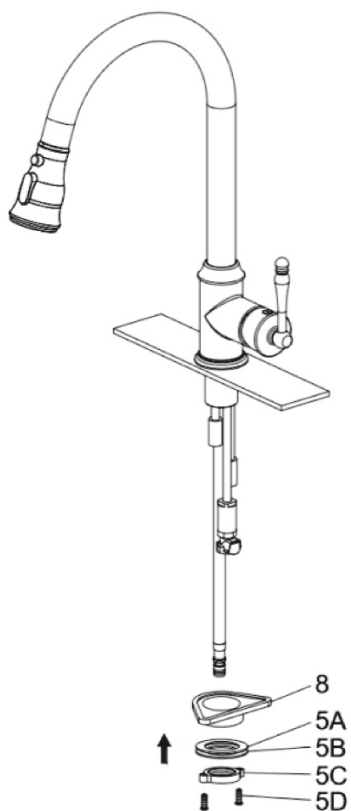


Step 1. Faucet installation - without deck plate



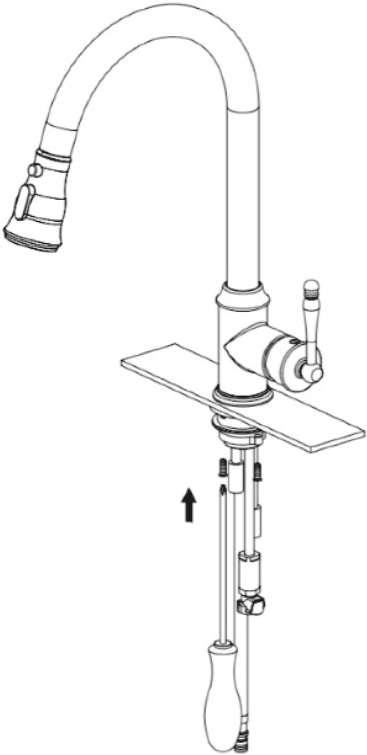
Insert Base O-ring.

Step 2. Install faucet and mounting hardware



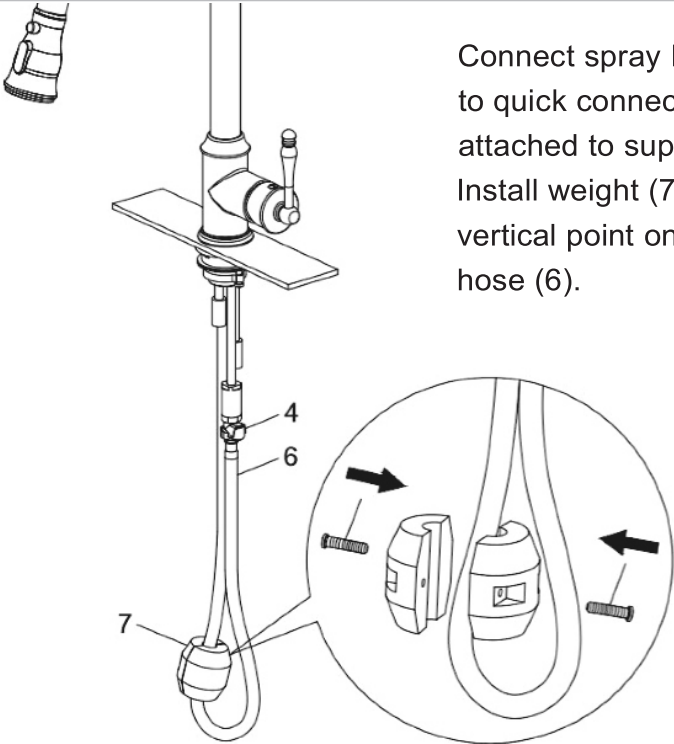
Insert faucet body (2) into hole in countertop or deck plate assembly. Install mounting hardware (8, 5A, B, C & D) from underneath the countertop.

Step 3. Secure mounting hardware



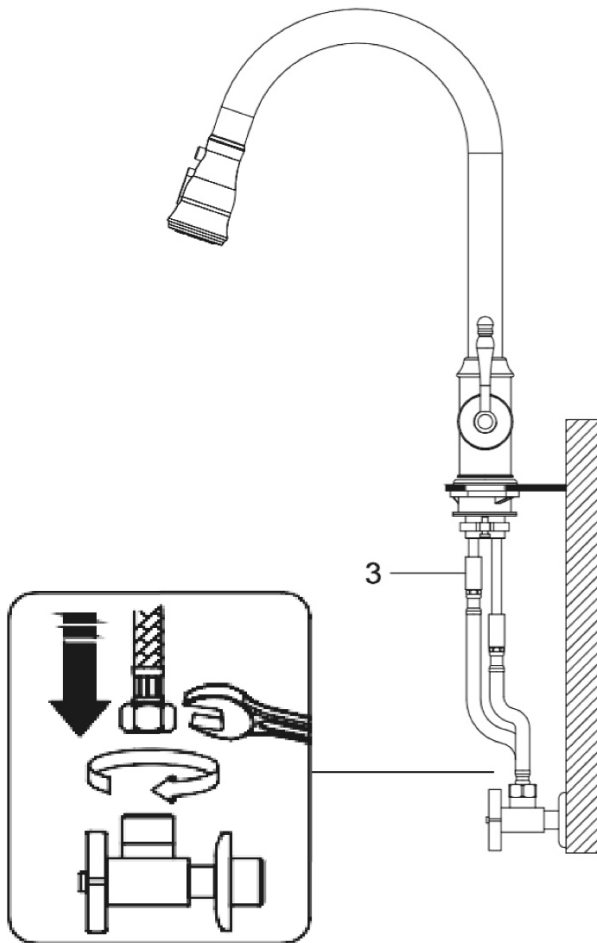
Adjust direction of faucet body (2) so that handle is on right side of faucet. Tighten mounting nut (5C) until snug. Tighten mounting screws (5D) to nut with a Phillips screwdriver until snug.

Step 4. Attach spray hose and counterweight



Connect spray hose (6) to quick connector (4) attached to supply line. Install weight (7) on lowest vertical point on spray hose (6).

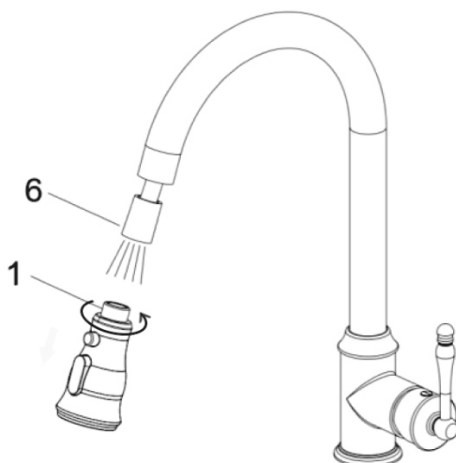
Step 5. Connect waterlines



Connect waterlines (3) to angle stops. Tighten both ends of hose with a wrench until snug. Turn on hot and cold angle stops and check for leaks.

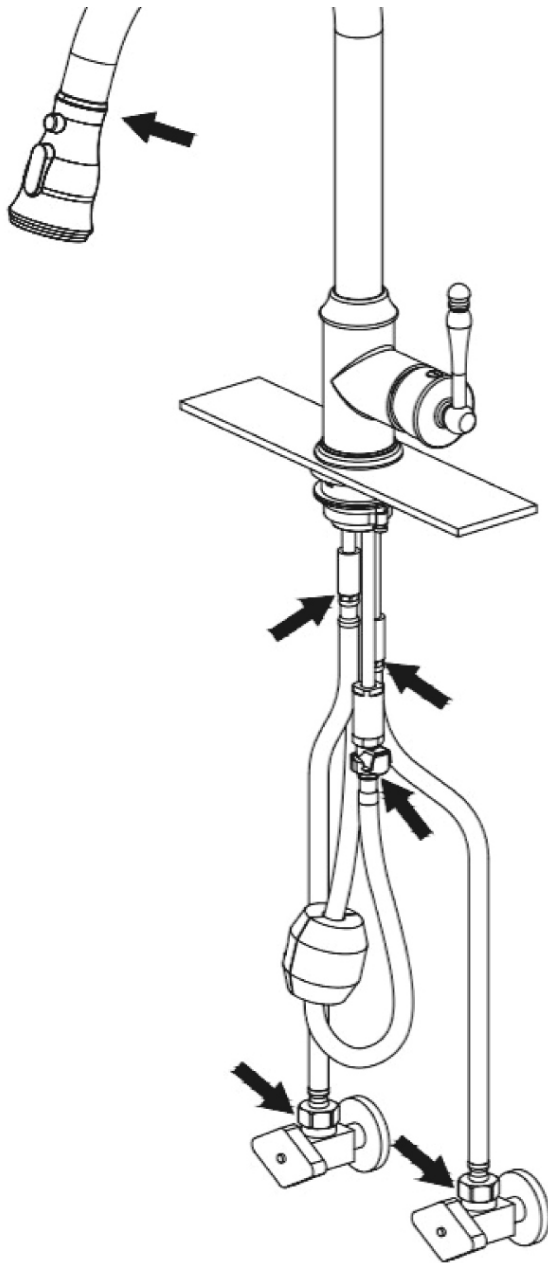
NOTE: Make sure filter washers are installed.

Step 6. Flush spray hose



Un-screw spray head (1) from spray hose (6). Hold tip of spray hose (6). Turn faucet on and let the water run for 60 seconds to flush any debris.

Step 7. Check for leaks



Check for leaks at the connections. Retighten if necessary.

Diagram and Parts List

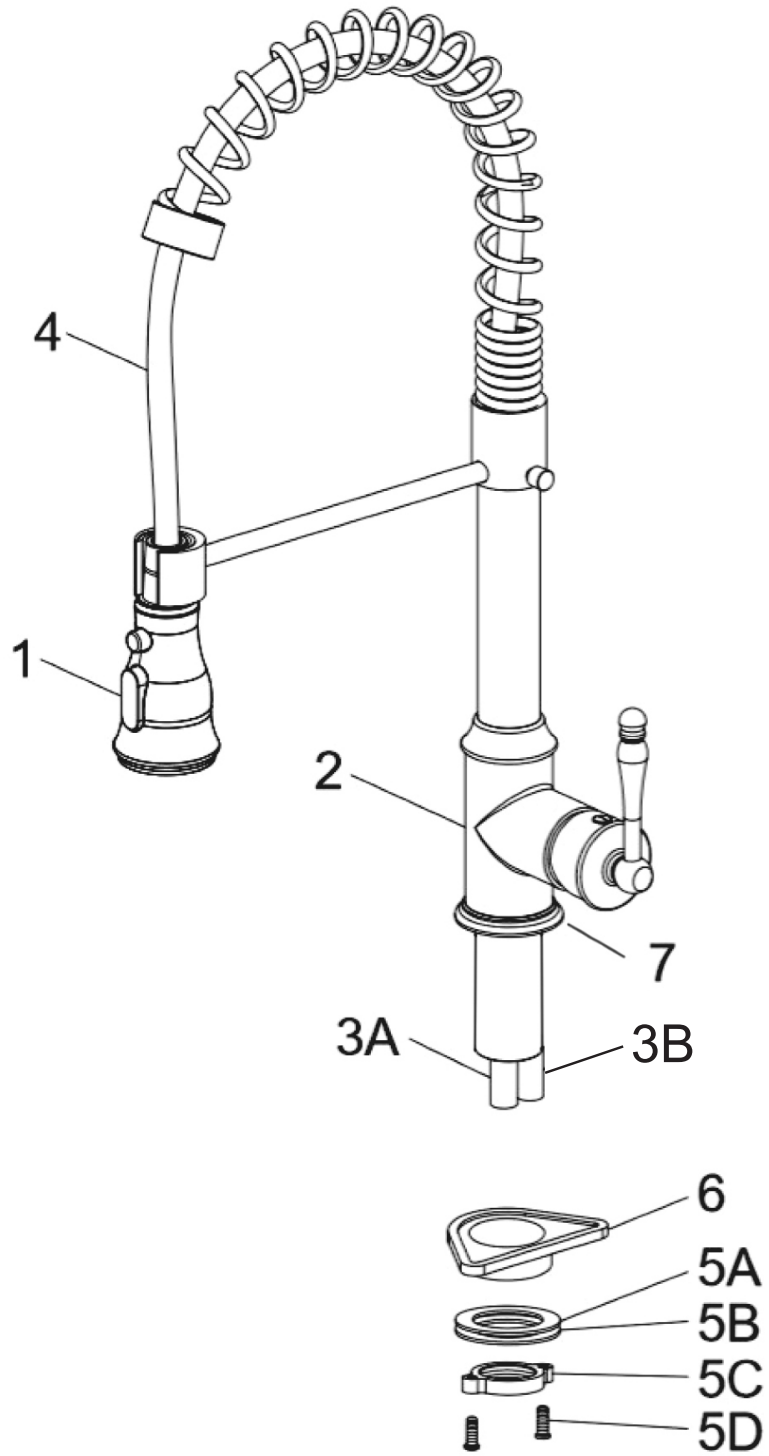


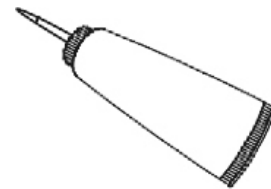
Diagram and Parts List

1. Spray Head
2. Faucet Body
3. Hot & Cold Waterlines
 - A. Cold
 - B. Hot
4. Nylon braided hose
5. Mounting Hardware
 - A. Rubber Washer
 - B. Metal Washer
 - C. Mounting Nut
 - D. Mounting Screws
6. Cambox
7. Base O-Ring

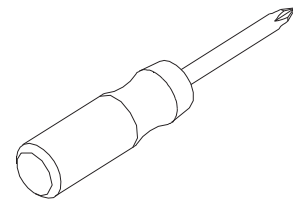
Tools you will need



Adjustable Wrench



Silicone Sealant
(optional)

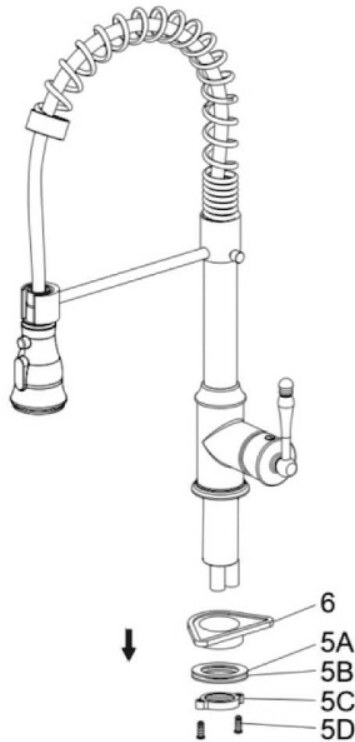


Phillips Screwdriver



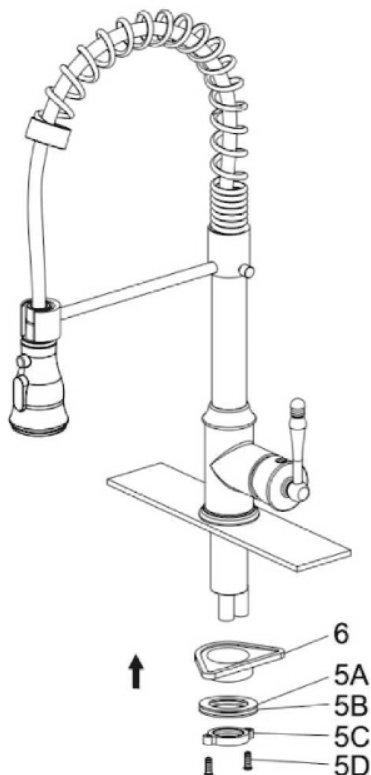
Safety Goggles

Step 1: Remove mounting hardware



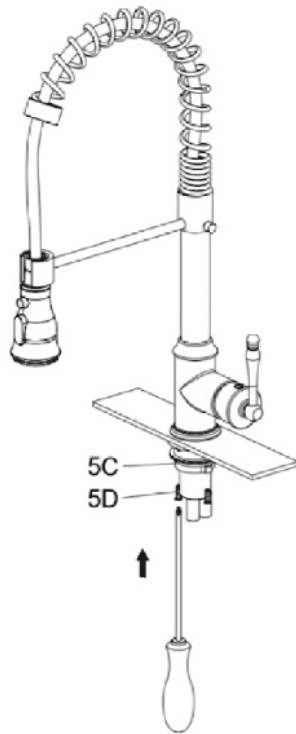
Remove the mounting screws (5D), mounting nut (5C), metal (5B), rubber washer (5A) and the cambox(6) from the mounting pipe

Step 2: Install faucet and mounting hardware



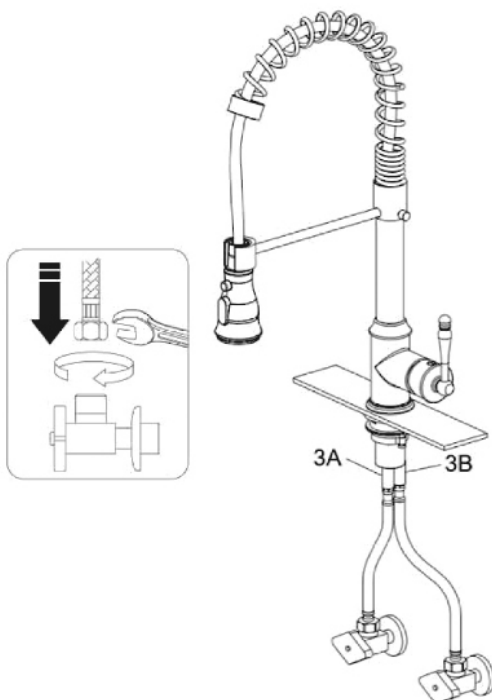
Insert faucet body (2) into hole in countertop. Install mounting hardware (6,5A, B, C & D) from underneath the countertop

Step 3: Secure mounting hardware



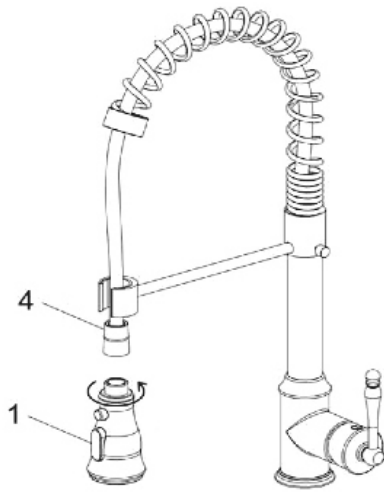
Adjust direction of faucet body (2) so that handle is on right side of faucet. Tighten mounting nut (3C) until snug. Tighten mounting screws (3D) with Phillips screw driver until snug

Step 4: Connect waterlines



Connect waterlines(3A&B) to angle stops. Tighten both ends of hose with a wrench until snug. Turn on hot and cold angle stops and check for leaks

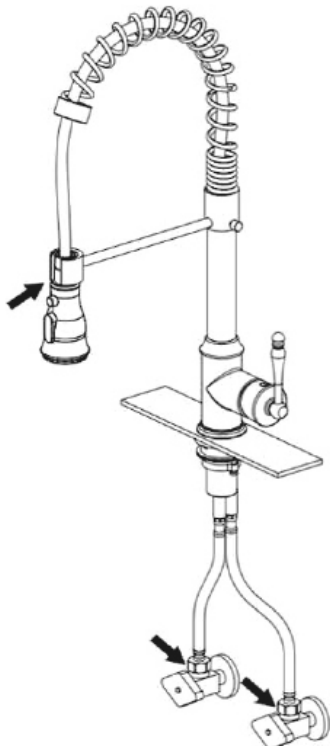
Step 5 : Flush spray hose



Un-screw spray head (1) from spray hose (4). Hold tip of spray hose (4). Turn faucet on and let the water run for 60 seconds to flush any debris

NOTE: Please make sure washer (7) is installed attaching spray head to hose

Step 6 : Check for leaks



Check for leaks at the connections. Retighten if necessary

Codes/Standards Applicable:



NSF/ANSI Standard 61 certified by IAPMO NSF/ANSI
Standard 372 certified by IAPMO

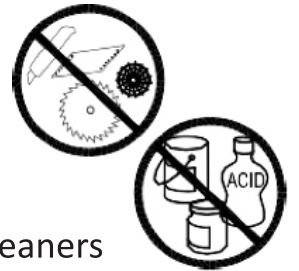


Meets ASME A112.18.1M/A112.18.1
1.75GPM 6.6L/min maximum

Care & Maintenance

*To keep the product clean & shining, follow the steps below:

1. Rinse with clean water & dry with a soft cloth
2. Do not clean with soaps, acid, polish, abrasives, or harsh cleaners
3. Do not use cloth with a coarse surface



*This installation manual is subject to change without further notice.