

# Imperial™ Arbor Installation Guide



Copyright 2013 USAVinyl, LLC - All Rights Reserved - The information contained in these instructions are proprietary to USAVinyl, LLC and may not be used or reproduced for any purpose other than for the evaluation purpose for which it was provided.

# Before You Begin Installation

Consult your local authorities for any permits required to construct the arbor.

Check with local building code officials to review any required permits or building limitations.

Read instructions thoroughly prior to assembly.

If you have questions or concerns with this product please **DO NOT** return before consulting a product specialist. Please refer all questions and concerns to our product specialist at 1-888-743-3673.

For easier installation, it is recommended to have at least two people to handle, fit and secure arbor components.

Do not stand, sit, store, or hang items on the pergola.

Repair or replace broken parts immediately. Call 1-888-743-3673 for replacement parts.

At regular intervals inspect your arbor to make sure that assembly integrity has been maintained.

## **Tools Required for Installation:**

1. Extension Cord
2. Hammer Drill \*
3. Reciprocating Saw  
(optional only if you are cutting down material)
4. Power Drill
5. 1" Drill Bit for metal
6. Drill Bits - 3/16"
7. Phillips Screwdriver Bit
8. Masonry Bit - 3/8" \*
9. Ratchet with Deep Socket - 1/2" \*
10. Level
11. Tape measure ( min 25')
12. 1 Ladder (at least the height of your arbor)
13. Rubber Mallet
14. Pencil
15. Carpenter's Square

\* These will only be needed with the optional concrete mount installation.

# Material List

Total of four (4) boxes containing:



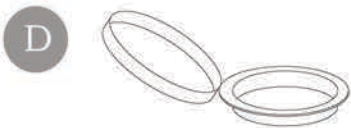
A  
1" Self-Tapping Screw



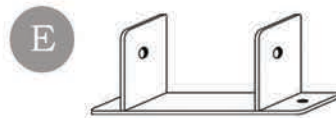
B  
2.5" Self-Tapping Screw



C  
2"x3.5" External Caps



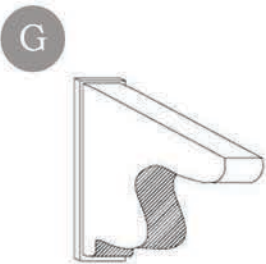
D  
Screw Cap



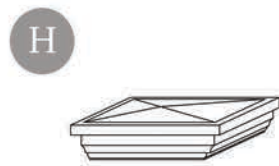
E  
2" Stringer Brackets



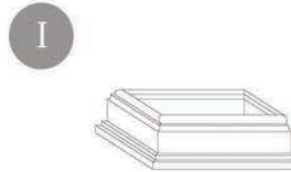
F  
1.5 oz Glue



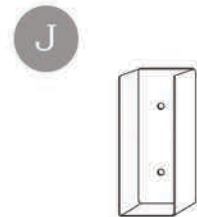
G  
2"x6" Pergola Caps



H  
4" New England Post Cap



I  
4" Post Skirt



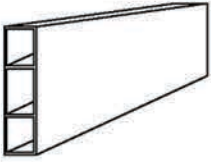
J  
1-3/4"x3.5" U Mounts

## Quantities

A	B	C	D	E	F	G	H	I	J
96	16	16	88	10	1	4	4	4	12

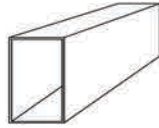
# Material List

K



2"x6"x96" Headers

L



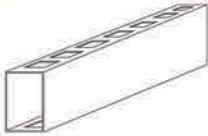
2"x3.5"x54" Rafters

M



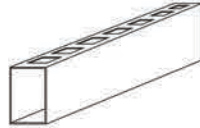
7/8"x1.5"x74.5" Pickets

N



1-3/4"x3.5"x40" Mid Rails

O



1-3/4"x3.5"x40" Top & Bottom Rails

P



4"x4"x96" Vinyl Post

Q



4"x4"x96" Wood Post  
( Can be purchased at your local hardware store)

## Optional Parts

R



Concrete Post Mount

S



3/8"x5" Wedge Anchor  
(with washer & nut)

T

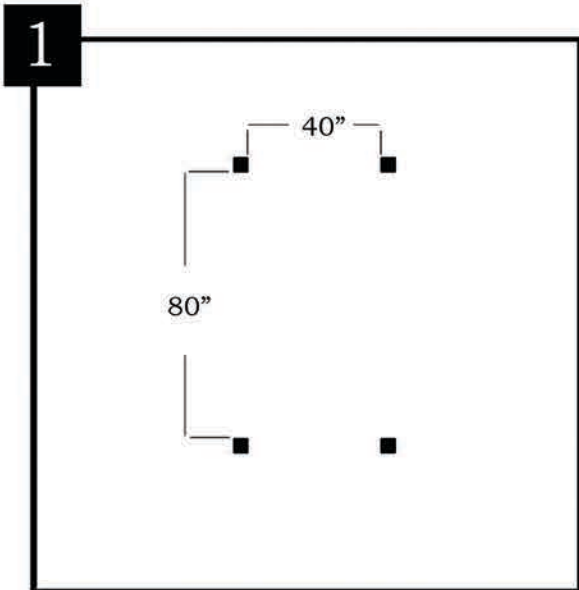


#14 x2" SS Screw

\*If using concrete mount, you will only need (2) 4x4x96" wood post that can be cut in half.

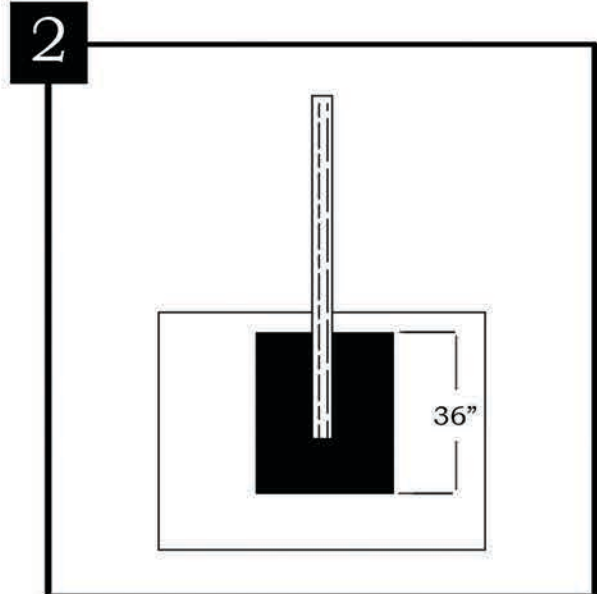
## Quantities

K	L	M	N	O	P	Q	R	S	T
2	8	14	2	4	4	4	4	16	32



Lay out, center and dig all four post holes 12" diameter x 36" deep. Posts need to be no more than 80" and 40" inside to inside.

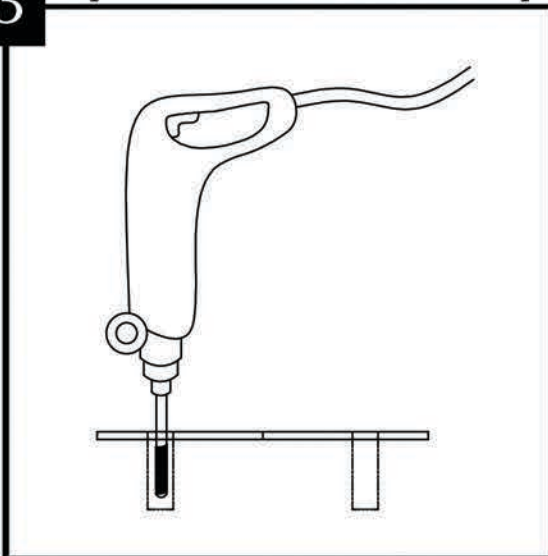
\*Note: For concrete mount installation skip to step 3.



Install (4) 4x4x96" wood post (not included) and level. Set your post, fill with concrete leaving 3" from the top of the hole.

\*Note: If not using the optional concrete mounts, skip to step 6.

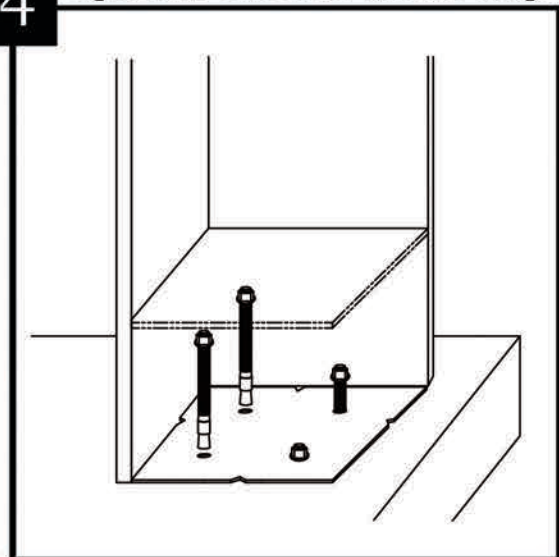
### 3 Optional Concrete Mount Step



Place, square and trace each concrete post mount. (R) Pre-drill concrete mount holes with hammer drill at 4 1/2" depth with 3/8" masonry bit.

**Do not rush.**

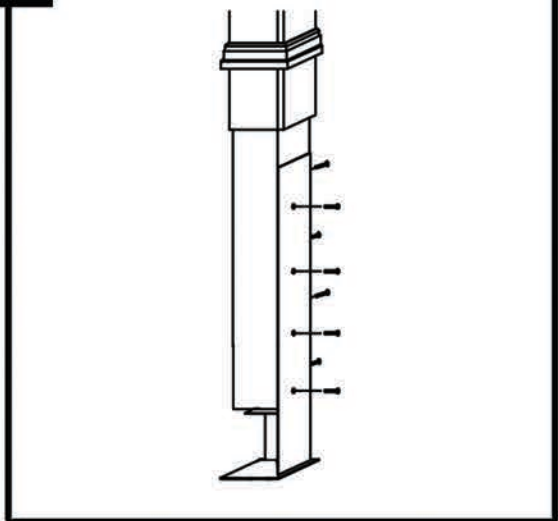
### 4 Optional Concrete Mount Step



Place wedge anchors (S) into each hole and tap into concrete leaving 1" above the concrete. Place concrete post mount (R) over the installed anchors and install washer and nut to each anchor. Level and tighten with 9/16" socket.

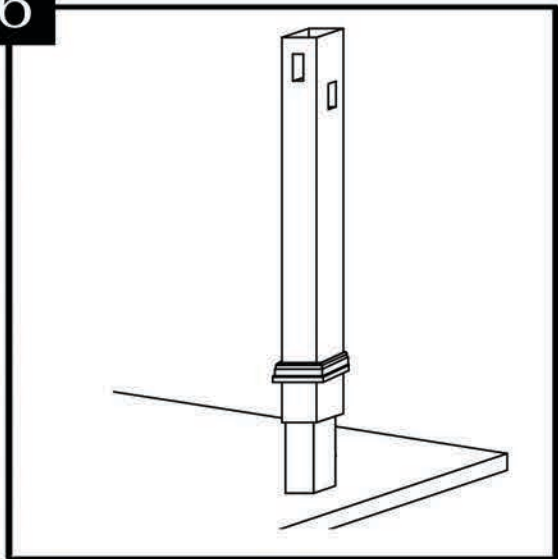
**Do not over tighten.**

## 5 Optional Concrete Mount Step



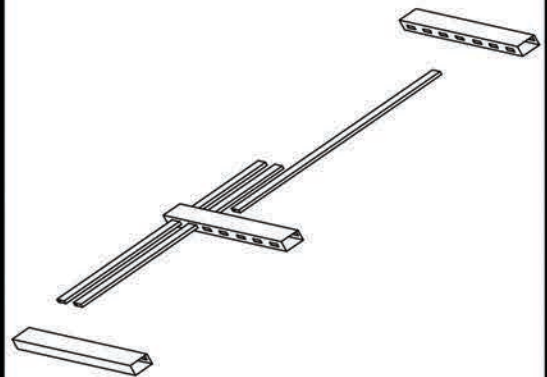
Line up the wood post with the concrete post mount and pre-drill the holes of the concrete mount into the wood with a 3/16" bit. Install the #14 x 2" (T) screws into the pre-drilled holes. Wood cannot be higher than 82".

## 6



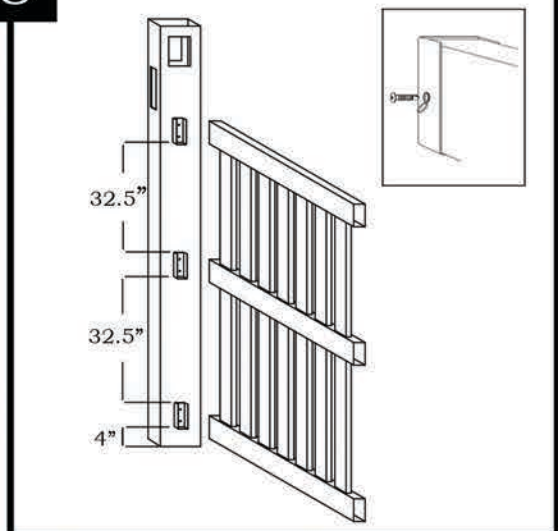
Place your post skirt (I) over your vinyl post (P). Place the post over the wood post or concrete mount.

## 7



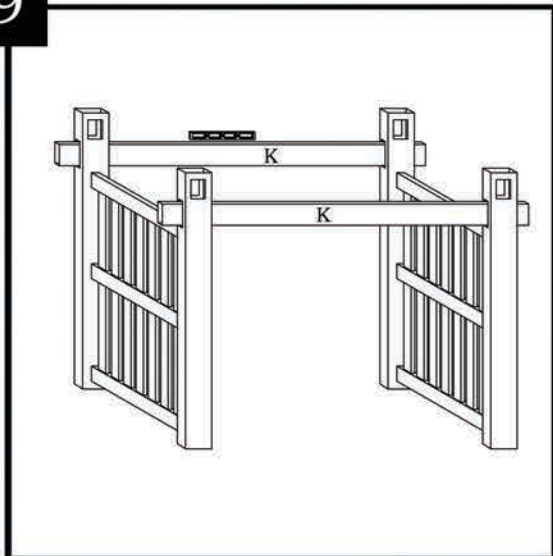
Assemble the panels using 2 top/bottom rails (O), 1 mid-rail (N), and 7 pickets (M).

## 8



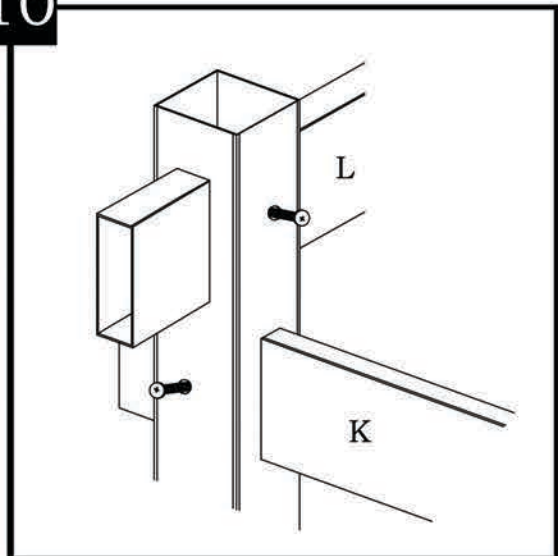
Install u-mounts (J) to post with 1" screws (A). The height and width of this panel can be customized. Then install assembled panel in the u-mounts. Attach the rails to the u-mounts on each side using a 1" screw and screw cap (D).

9



Place and level 2x6" headers(K). Make sure the overhang is equal on each side (approx 3").

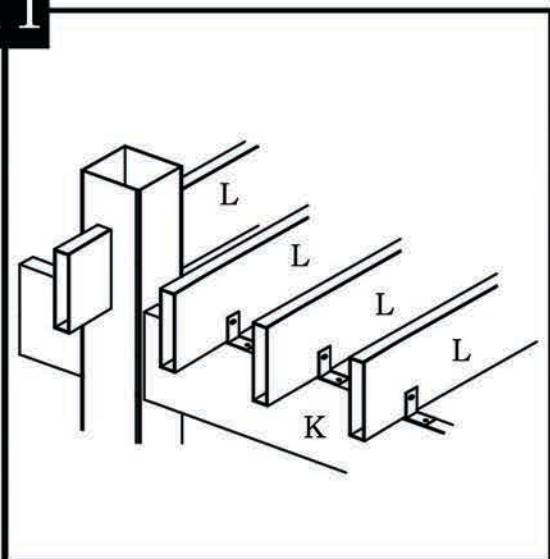
10



Once headers (K) and rafters (L) are squared up and evenly spaced on each side, secure headers and rafters with 2.5" screws (B) and screw caps (D) in the center of post and rail.

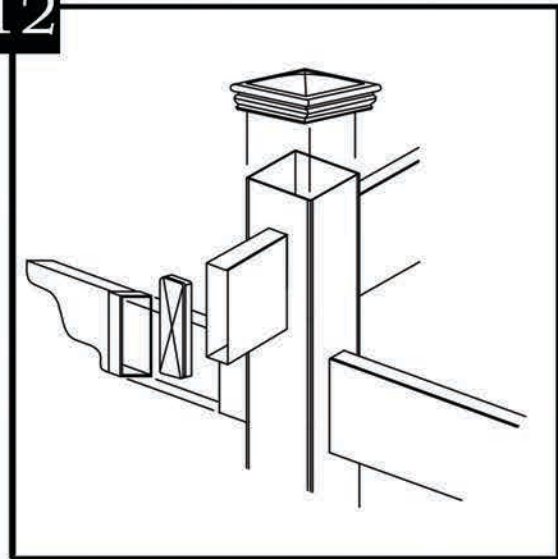
**Do Not over tighten**

11



Before attaching, evenly space remaining rafters. Approx 9-3/4". Attach rafters to headers with 2" stringer brackets (E), 1" screws (A), and screw caps (D).

12



Finish Arbor by attaching post caps (H), 2x6" pergola caps (G) and 2x3.5" external caps (C) with glue (F).