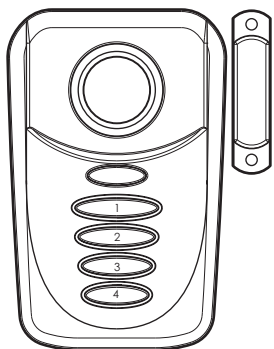


USE AND CARE GUIDE

Home, Shed and Garage Alarm



THANK YOU

We appreciate the trust and confidence you have placed in Defiant through the purchase of this Shed and Garage Alarm. We strive to continually create quality products designed to enhance your home. Visit us online to see our full line of products available for your home improvement needs. Thank you for choosing Defiant!

Safety Information

Save these instructions for future use.

WARNING: Risk of personal injury. Prolonged exposure to the alarm siren may cause permanent hearing loss.

WARNING: For indoor use only. Do not use in wet locations.

WARNING: Any battery may leak harmful chemicals which may damage skin, clothing or the inside of the alarm. TO AVOID RISK OF INJURY, DO NOT LET ANY MATERIAL LEAKED FROM A BATTERY COME IN CONTACT WITH EYES OR SKIN. Any battery may rupture or explode if put in a fire or otherwise exposed to excessive heat. TO AVOID RISK OF INJURY, DO NOT EXPOSE BATTERIES TO EXCESSIVE HEAT. To reduce the risk of personal injury or harm to your alarm, take the following precautions:

- Do not use different brands of batteries in the same alarm
- When replacing batteries always replace the whole set
- Do not use rechargeable or reusable batteries
- Do not allow children to install batteries unsupervised
- Follow battery manufacturer's instructions as to proper handling, storage and disposal of batteries

THIS PRODUCT CANNOT BE LINKED TO A MONITORED SECURITY SYSTEM. THE SECURITY FEATURE IS EXCLUSIVELY THE 120DB ALARM SOUND.

DEFIANT IS NOT RESPONSIBLE OR LIABLE FOR ANY DAMAGE, VANDALISM, THEFT OR OTHER ACTIONS THAT MAY OCCUR WHILE THIS PRODUCT IS IN USE.

FCC REGULATION

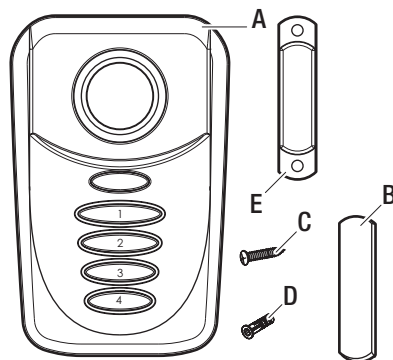
This device complies with Part 15 of the FCC Rules. Operation is subject to the following two conditions: (1) This device may not cause harmful interference, and (2) This device must accept any interference received, including interference that may cause undesired operation.

WARNING: Changes or modifications to this unit not expressly approved by the party responsible for compliance could void the user's authority to operate the equipment.

NOTE: This equipment has been tested and found to comply with the limits for a Class B digital device, pursuant to Part 15 of the FCC Rules. These limits are designed to provide reasonable protection against harmful interference in a residential installation. This equipment generates, uses and can radiate radio frequency energy and, if not installed and used in accordance with the instructions, may cause harmful interference to radio communications. However, there is no guarantee that interference will not occur in a particular installation. If this equipment does cause harmful interference to radio or television reception, which can be determined by turning the equipment off and on, the user is encouraged to try to correct the interference by one or more of the following measures:

- Reorient or relocate the receiving antenna.
- Increase the separation between the equipment and receiver.
- Connect the equipment into an outlet on a circuit different from that to which the receiver is connected.
- Consult the dealer or an experienced radio/TV technician for help.

PACKAGE CONTENTS



| Part | Description | Qty. |
|------|-------------------|------|
| A | Alarm | 1 |
| B | Double Sided Tape | 1 |
| C | Screw | 3 |
| D | Wall Anchor | 3 |
| E | Magnet | 1 |

Safety Information (continued)

LIMITATIONS OF ALARM PRODUCTS

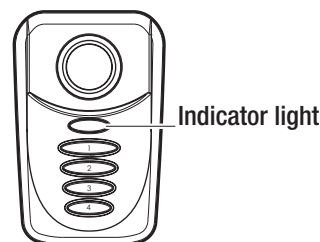
WARNING: Test product regularly to ensure it functions in accordance with these instructions. The manufacturer does not provide insurance or any guarantee that the risk of burglary or robbery will be reduced or prevented even if this product is used properly. Obtain proper insurance coverage for these risks. The manufacturer does not represent or warrant that this product may not be compromised or circumvented, that it will provide proper or adequate warning, or that the use of this product will prevent injury, property damage or other losses. Note that this product may be bypassed, compromised, fail or fail to warn like any alarm, including due to improper installation, positioning, or maintenance; tampering; dead, faulty, or improperly installed batteries; sensing limitations and component failures. The product's functional range may be affected or limited by environmental conditions, radio frequency interference or other obstructions. Audible alarm signals may be outside of hearing range, muted by doors, walls, and floors, unheard by deep sleepers or the hearing-impaired, or overwhelmed by other sounds.

Installation

1 Installing the batteries

- Remove the screw from the battery compartment cover located on the back of the alarm.
- Slide off the door in the direction of the arrow.
- Insert three AA alkaline batteries (not included) noting the polarity diagram inside the battery compartment.
- Replace the battery compartment cover and secure the screw.

NOTE: The alarm has a low battery indicator light. When the batteries need to be replaced, the indicator light will flash slowly.



Operation

1 Creating a personal alarm code

Use the keypad to set a personal 4-digit code for arming and disarming the alarm.

- Remove the screw from the battery compartment door located on the back of the unit.
- Slide off the door in the direction of the arrow.
- Press the LEARN button. The red light on the front of the alarm will blink for 15 seconds.
- During this time, input your 4-digit code using the keypad on the alarm. A beep will confirm each input. When the 4th digit is entered, the alarm will beep to confirm the new code has been accepted. If the LED stops flashing before the code is entered, or the alarm does not produce the confirmation beep, start the process again.
- Replace the battery compartment cover and secure the screw.

2 Operating in alarm mode

In ALARM mode, the device produces a constant high-volume alarm sound when triggered.

- To activate ALARM mode, slide the mode selector switch located in the battery compartment to the ALARM position.
- Enter the 4-digit User Access Code. The alarm will beep as each digit is entered. If entered incorrectly, the unit will sound and the indicator light will flash red three times.
- There will be a 45 second exit delay before the unit is armed. The alarm's indicator light will flash red quickly, alerting you that the unit has been activated and has begun the 45 second count down. The delay allows time for you to leave the protected area without triggering the alarm. When returning the protected area, there is a 30 second delay to allow time to enter the 4-digit code before the alarm will sound.

Installation (continued)

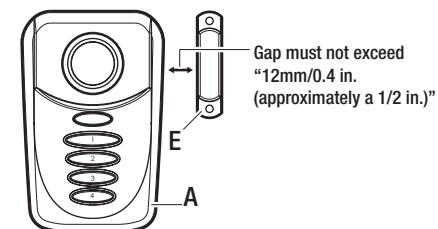
2 Installing the alarm

- Select a dry and interior location for the alarm such as a door or door frame. Use either the provided screws (C) and wall anchors (D) (for permanent mounting) or the double-sided tape (B) (for temporary mounting). The recommended location is the back of the door, with the magnet (E) mounted to the fixed door frame.

NOTE: Mounting the alarm to the door ensures that the alarm will not be damaged by opening and closing the door. The magnet may be mounted to either side of the alarm as long as the arrows line up.

IMPORTANT: Whether mounting to the door or the door frame, the gap distance between the alarm (A) and the magnet (E) must be no more than 12 mm/0.4 in. (approximately a 1/2 in. gap).

- Screw and anchor installation:** Measure and mark the locations of the screws for the alarm and the magnet. Line up the arrows of the alarm (A) and the magnet (E). Ensure the distance between the two pieces is 12 mm/0.4 in. or less. To test the gap distance, turn the ALARM/CHIME switch to CHIME and open the door. If it does not sound, move either the alarm or magnet closer. Secure the position of the alarm (A) and the magnet (E) once they work correctly in combination.
- Double-sided tape installation:** Ensure the mounting surface is clean and dry. Use the double-sided tape (B) to lightly attach the magnet (E) and the alarm (A) to the desired mounting surface. Ensure the distances are correct between the alarm (A) and magnet (E) as previously described. When the distances are correct and the chime works, secure the alarm and magnet into position.



Operation (continued)

3 Disarming the alarm

- Enter the 4-digit User Access Code. The alarm will beep as each digit is entered. Two beeps will indicate that the User Access Code is correct and the system has been disarmed. If an incorrect code is entered, the unit will sound a louder beep. Enter the correct code anytime after the alarm has sounded to deactivate.

4 Operating in chime mode

CHIME mode is used for lower security situations and produces a door chime sound when activated.

- To activate CHIME mode, slide the mode selector switch located in the battery compartment to the CHIME position.
- Enter the 4-digit User Access Code. The alarm will beep as each digit is entered. A door chime will indicate that the User Access Code is correct and the system has armed.
- The alarm will produce a door chime sound each time the door is opened and the magnet is moved away from the alarm.
- To deactivate the chime, slide the ALARM/CHIME switch to ALARM mode.

5 Testing

It is recommended that the alarm is tested immediately after installation and at regular intervals not exceeding 1 month.

NOTE: A cloth can be used to cover the siren and reduce the sound output of the alarm during testing.