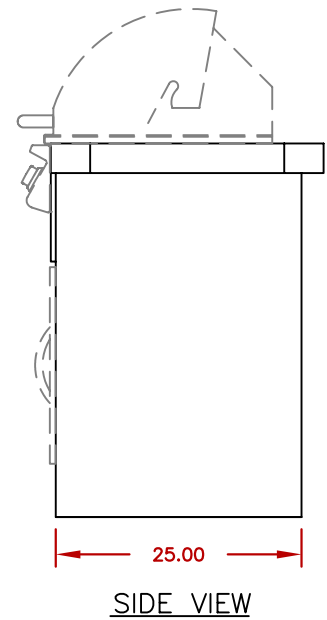
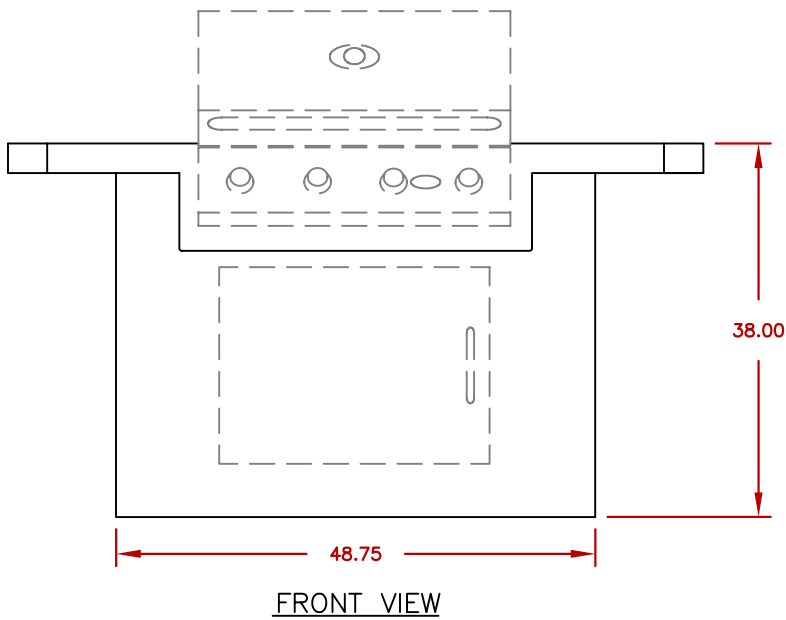
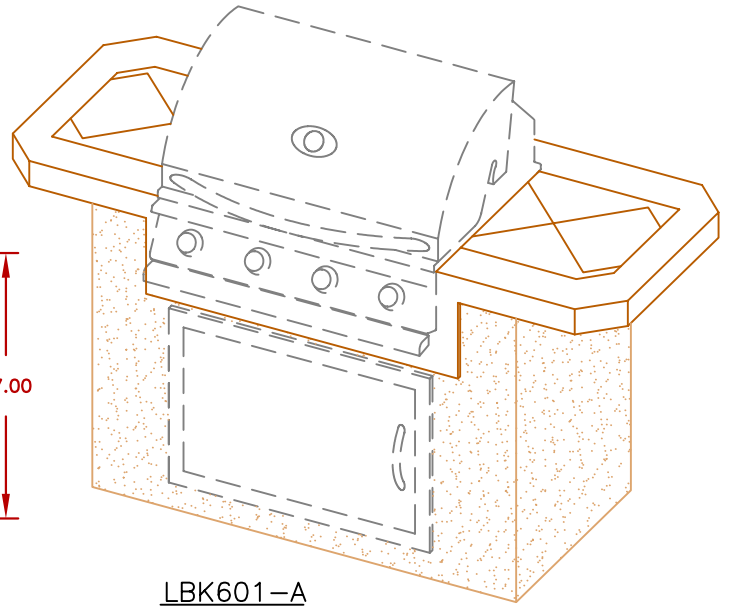
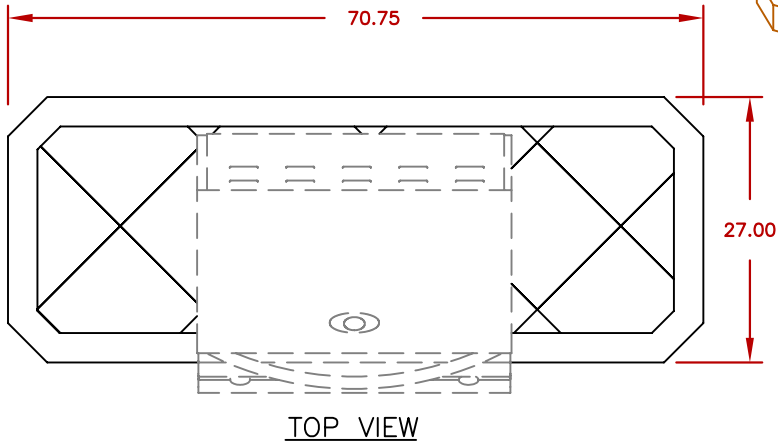


LINE	BBQ LINE
MODEL	LBK601-A
REF.	



STANDARD FEATURES

QTY.	SYMB.	DESCRIPTION
-	(A)	PORCELAIN TILE 12 X 12 (FIELD) (BORDER)
-	(B)	AMERISTONE STUCCO
-	(C)	3" BOTTOM TRIM (TILE ONLY)
1	(D)	4 BURNER G4 LP
1	(F)	27" ACCESS DOOR



TITLE 2016 BARBECUE LINE
LBK SERIES
LBK601-A

SCALE:

DWG NO.

DWG BY
G.GARCIA

REVISED

REV. DESCR.

DATE
2/3/16

NOTE:
DUE TO OUR CONTINUOUS IMPROVEMENT PROGRAM, ALL MODELS
AND SPECIFICATIONS ARE SUBJECT TO CHANGE WITHOUT NOTICE.