

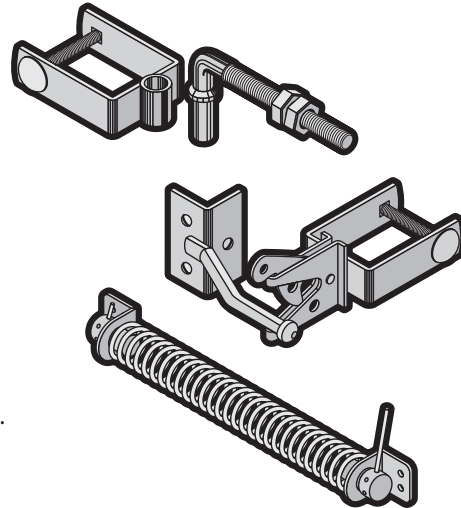
# Gate Hardware Kit

Model # - GHKDUS

## Installation Instructions

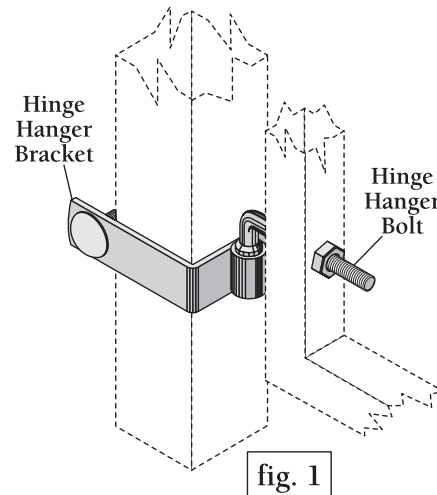
### Step 1

On the hinge side of the gate, drill a 1/2" diameter hole 5" down from the top of the gate and one 5" up from the bottom of the gate. Remove the outer nut on both hanger bolts and adjust the inner nut so that when the bolt is inserted into the holes you've drilled in the gate frame approximately 1" or more of threads are exposed. Replace outer nuts finger-tight and position the bolts so that the short end of the top bolt points up and the short end of the bottom bolt points down. Tighten the outer nuts.



### Step 2

Position the gate in the opening and place blocks under the gate to achieve the desired height. Insert the bottom hanger bolt into the hanger bracket and determine the correct position for the hanger bracket on the post. Tighten bolts to secure the hanger bracket.



### Step 3

Insert the bottom hinge hanger bolt into the bottom hinge hanger bracket (fig. 1). Insert the top hinge hanger bolt into the top hinge hanger bracket and determine the correct position for the hanger bracket. Tighten the bolts to secure the hanger bolt.

### Step 4

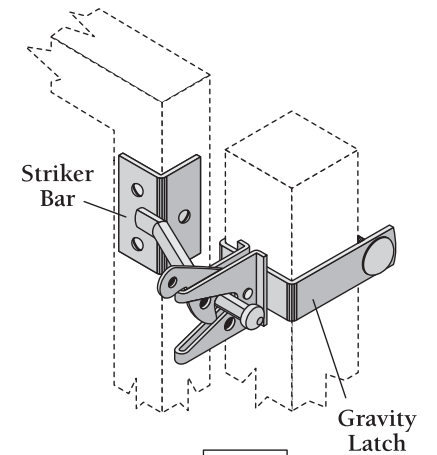
Adjust the gate to hang squarely in the opening using the nuts on the hinge hanger bolts. "Tighten" the nuts at the top or "loosen" the nuts at the bottom.



U.S. Door and Fence, LLC., 3880 Garner Road, Riverside CA 92501-1066  
For questions, please contact by phone(951)300-0010 or fax (951)300-0016  
For warranty information, please contact warranty@usdoorfence.com

### Step 5

Position both parts of the gravity latch on the gate frame and the post (fig. 2). The latch should always be mounted to the post and the striker bar to the gate frame. Mount the latch on the outside of the gate to make the gate swing out. Mount the latch on the inside of the gate to make the gate swing in. Position the latch on the post at the desired location. Tighten bolts to secure the latch.

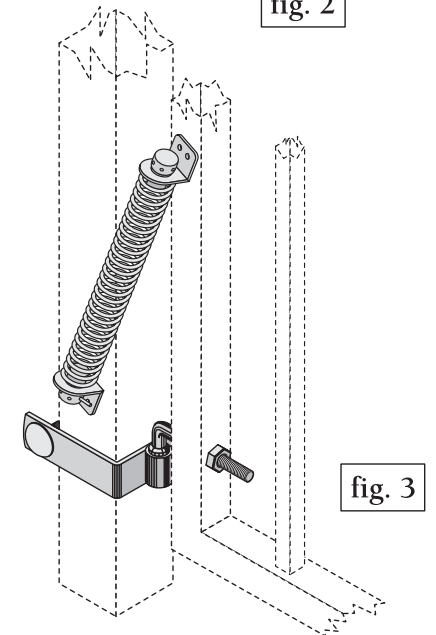


### Step 6

Mark the position of the mounting holes in the striker bar. Drill a 1/8" pilot hole and mount to the gate frame with the screws provided.

### Step 7

Position spring on post and gate frame as shown (fig. 3) with the tension collar up. Mark the location of the mounting holes on the post and gate frame.



### Step 8

Drill 1/8" pilot holes in the post and gate frames where marked.

### Step 9

Reposition spring and mount to post and gate with screws provided.

### Step 10

Adjust spring tension by inserting the tension rod into one of the holes in the tension collar and turning clockwise. While holding the tension rod in place, insert the tension pin into another hole in the tension collar so that when tension is released from the tension rod the pin pushes against the bracket (fig. 4). Adjust by repeating this step until desired tension is achieved.

### Tools Required

- Pencil
- Tape measure
- Drill
- Adjustable wrench
- 1/8" steel drill bit
- 1/2" steel drill bit
- Flat blade screwdriver

