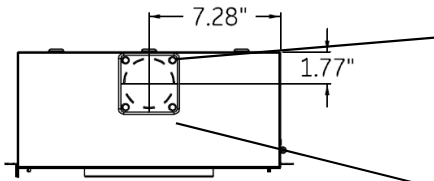
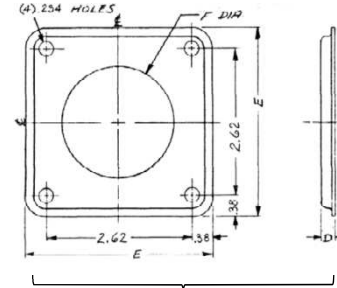
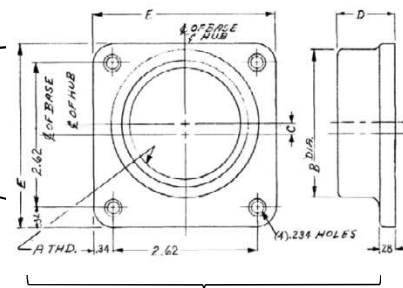


### Top View



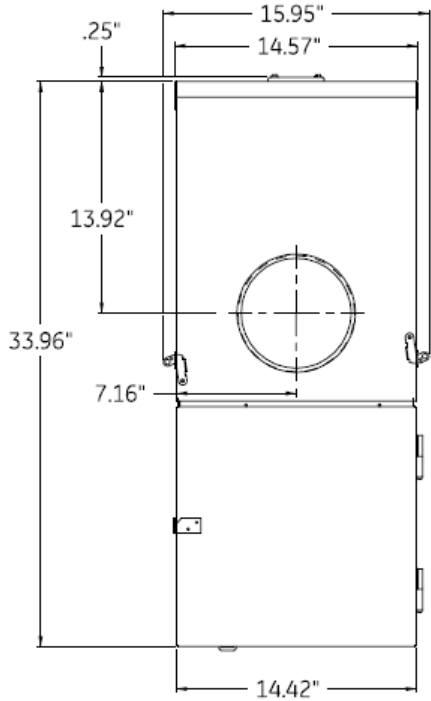
### Hub Dimensions



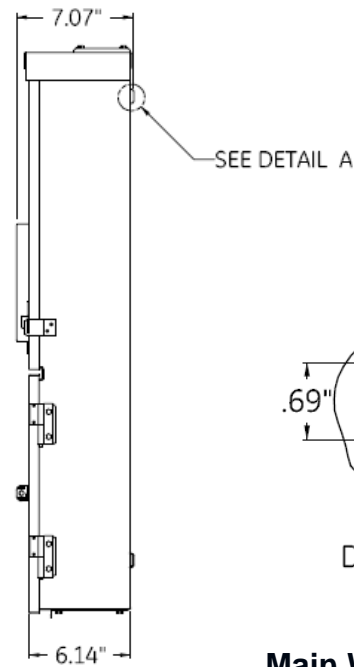
### Available Hubs

| Cat#             | Mod# | A-THD            | B-DIA | C    | D    | E    |
|------------------|------|------------------|-------|------|------|------|
| TC75             | 2    | "3/4-14"         | 1.31  | 0.81 | 1.03 | 3.31 |
| TC100            | 2    | "1 - 11 1/2"     | 1.53  | 0.69 | 1.03 | 3.31 |
| TC125            | 2    | "1 1/4 - 11 1/2" | 1.88  | 0.53 | 1.03 | 3.31 |
| TC150            | 2    | "1 1/2 - 11 1/2" | 2.12  | 0.42 | 1.03 | 3.31 |
| TC200            | 2    | "2 - 11 1/2"     | 2.62  | 0.2  | 1.03 | 3.31 |
| TC250            | 2    | "2 1/2 - 8"      | 3.19  | NONE | 1.22 | 3.31 |
| TCCP Closing Cap | 1    | NONE             | NONE  | NONE | 0.25 | 3.38 |

### Front View



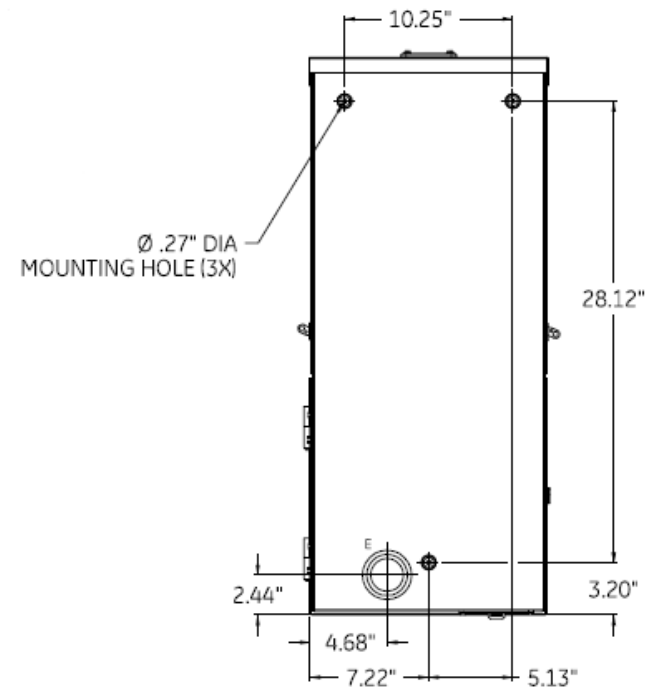
### Side View



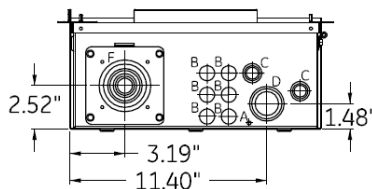
### Hub

### Closing Cap

### Back View



### Bottom View



### Main Wire Size

#6 - 350MCM (Al/Cu)

ALL DIMENSIONS HAVE +/- .125 TOLERANCE

| SYMBOL | SIZE                             | QTY. |
|--------|----------------------------------|------|
| A      | 9/32 KO                          | 1    |
| B      | 1/2 KO                           | 6    |
| C      | 3/8 X 1/2 X 3/4 KO               | 2    |
| D      | 1 X 1 1/4 X 1 1/2 KO             | 1    |
| E      | 1 1/2 X 2 X 2 1/2 KO             | 1    |
| F      | 1/2 X 3/4 X 1 X 1 1/4 X 1 1/2 KO | 1    |



imagination at work

Main Lug Only - Ringless - 200A 22K- 4/8 Circuits - N3R Encl - Surface Front - UG/OH Incoming Feed - Horn Bypass - XCEL Listed

CAT NO

DWG DATE

REV #

TSLR420CSCU

6/4/2015

01