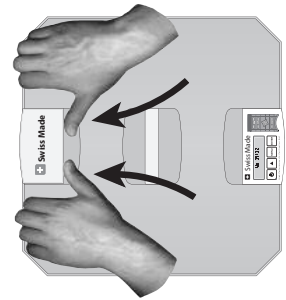


Replacing Your V5-Cell (Filter 2)

1. Opening and Closing the Air Cleaner Housing

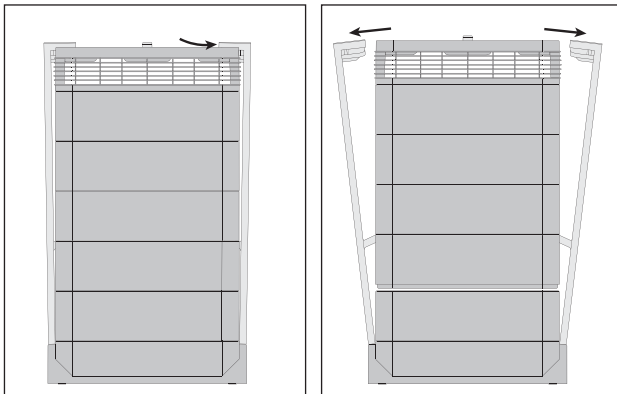
The stacked housing elements are held together by two locking arms that hook into the diffuser. To open the system follow the steps below.

1. Disconnect the device from the power supply before attempting to open the system.
2. Press the first locking arm outward, using both thumbs as shown. Press just hard enough to release the arm from its snap-in position in the diffuser. Disengage the other arm in the same way.
3. Pull both locking arms evenly outwards until they snap into place and remain open. Access to all filters is now possible (to change a specific filter, refer to the appropriate section below).
4. To close the housing, simply push the locking arms inwards simultaneously until they snap back into the housing and the diffuser.

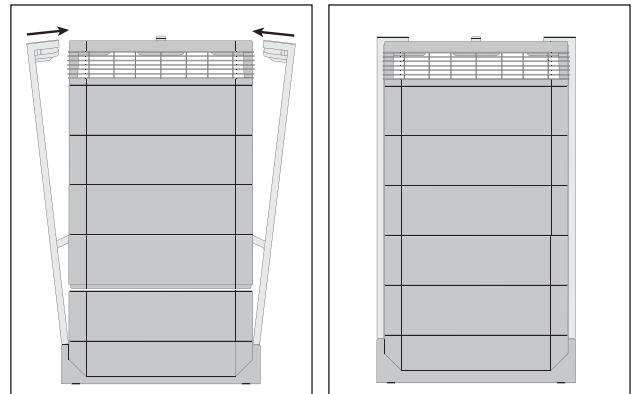


Old filters can normally be put in the regular trash for disposal. Only when the air cleaner has been exposed to regulated substances may these filters need to be disposed of as hazardous waste. Please refer to local regulations and laws.

Opening



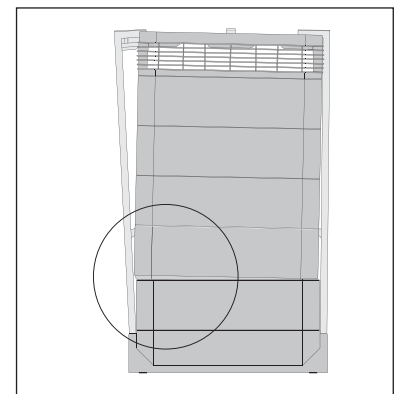
Closing



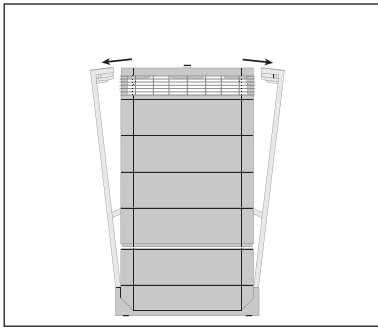
Troubleshooting when closing the housing

If the device does not close properly, the upper part of the system may be offset against the lower part.

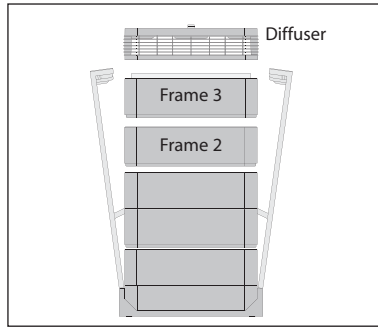
To solve this problem, simply open both locking arms again, align the housing and push both locking arms in simultaneously.



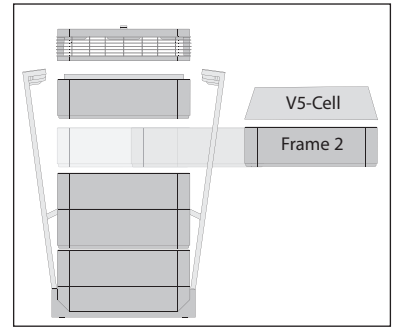
2. Replacing the V5-Cell (Filter 2)



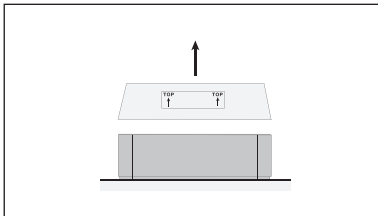
1. Open the locking arms, making sure they are fully extended outward.



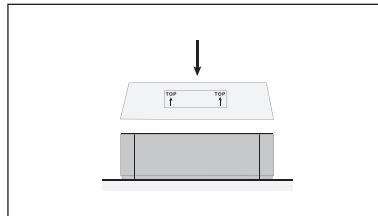
2. Opening the arms will release the top housing modules. Remove the diffuser, then Frame 3 and put these to the side.



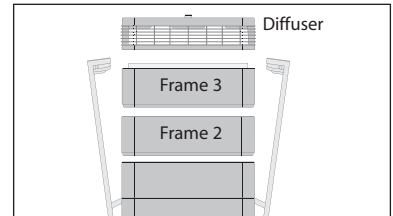
3. Frame 2 contains the V5-Cell (Filter 2).



4. Remove the old V5-Cell Filter lifting it out of the frame. Dispose of the old filter.*



5. Insert the new filter. Ensure that the arrows on the filter label point upward.



6. Put Frame 2 back onto the housing, followed by Frame 3 and the diffuser. For closing refer to section I.

* If harmful substances are filtered, disposal of the used filters may be subject to local regulations or laws.

3. Resetting the New Filter Menu

The New Filter Menu allows you to reset the filter life counter for a newly replaced filter. As a result, the appropriate filter life LED on the control panel will be reset to green and the hour count in the Remaining Filter Life Menu will be reset to the full life span of the new filter.

Resetting the filter life counter will also make the "Replace Filter" warning disappear from the main display window.

1. To reach the New Filter Menu from the main display window, press the **Menu** key seven times.
2. Press and hold down the **Enter** key until the flashing filter appears (Filter 2 or V5-Cell). Press the arrow key ▲ until the flashing V5-Cell (Filter 2) appears.
3. Press the **Enter** key to confirm that V5-Cell (Filter 2) has been replaced (E=Yes). To safeguard against inadvertently resetting the life of the wrong filter, you will be prompted to reconfirm your selection. The filter life LED for the appropriate filter is now flashing red.

Note: If the wrong filter has been selected, or if you wish to exit the enter mode, simply press the **Menu** key (M=Cancel). This will leave the filter life controller unaffected.

4. To confirm the filter change and exit the New Filter Menu, press the **Enter** key. The filter life LED for the V5-Cell (F2) is now reset from red to green.
5. To check the life span of the newly installed filter after having reset the control panel, simply go to the Remaining Filter Life Menu and select the appropriate filter number. (Please note that the reset remaining filter life may vary from model to model.)

