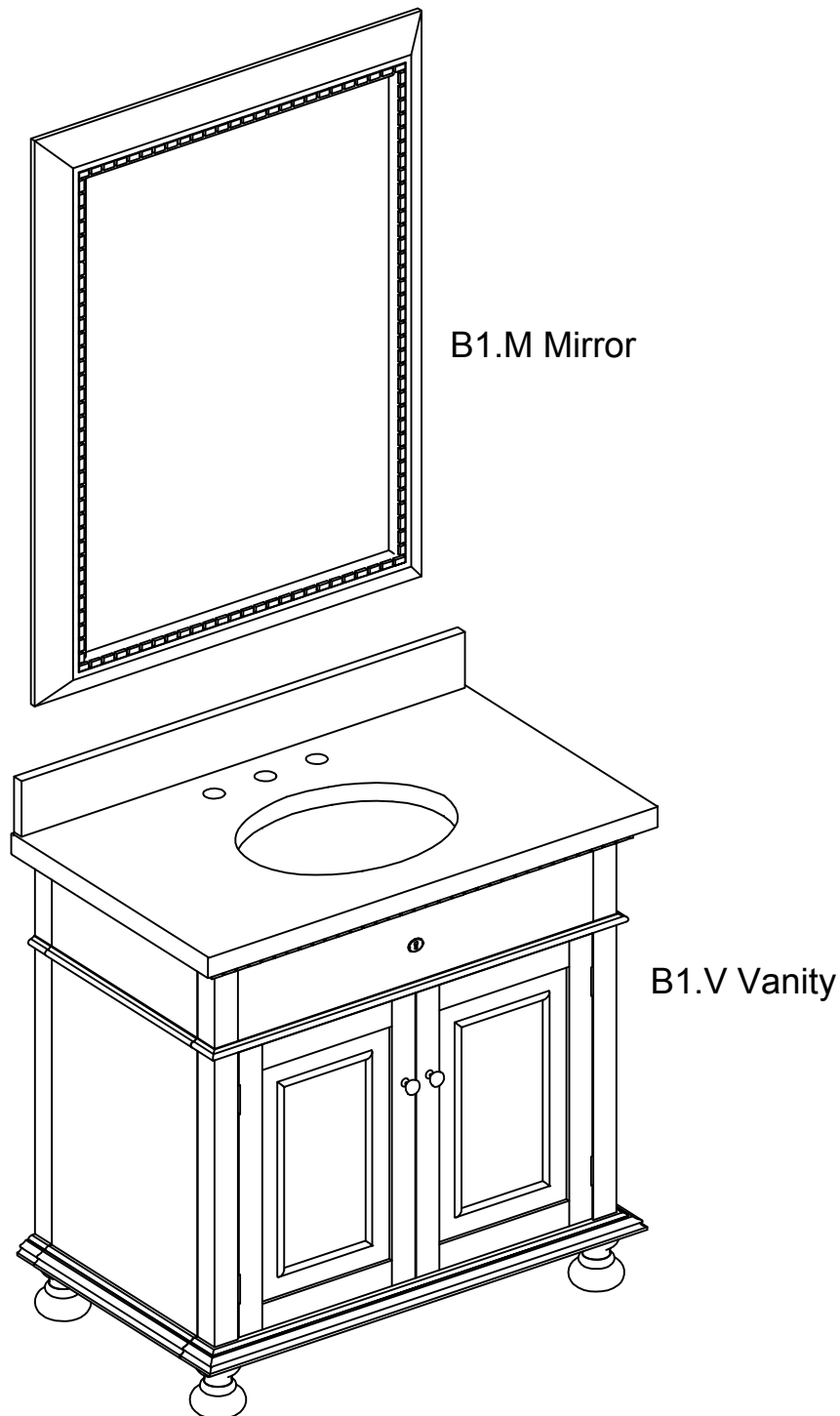


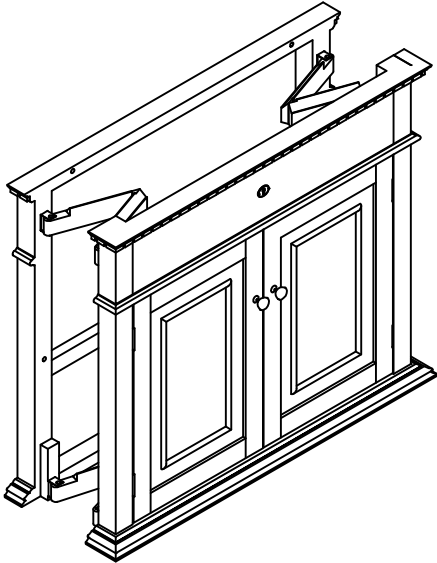
**CRAWFORD  
& BURKE**

**BATHROOM VANITY  
ASSEMBLY INSTRUCTION for B1.V only**

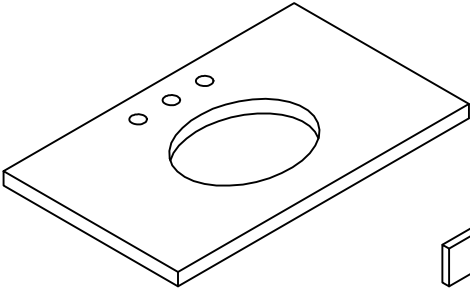


No tools required for vanity base and vanity top assembly.  
\*Screwdriver required for securing vanity base and vanity mirror to wall.

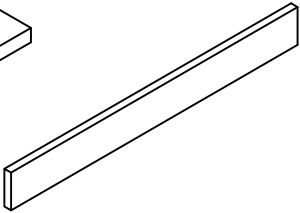
# PARTS



**A** x1PC



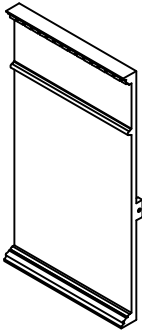
**B** x1PC



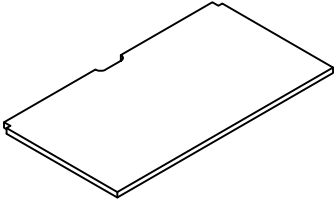
**C** x1PC



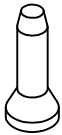
**D** x4PCS



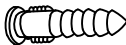
**E** x2PCS



**F** x1PC



**G** x8PCS

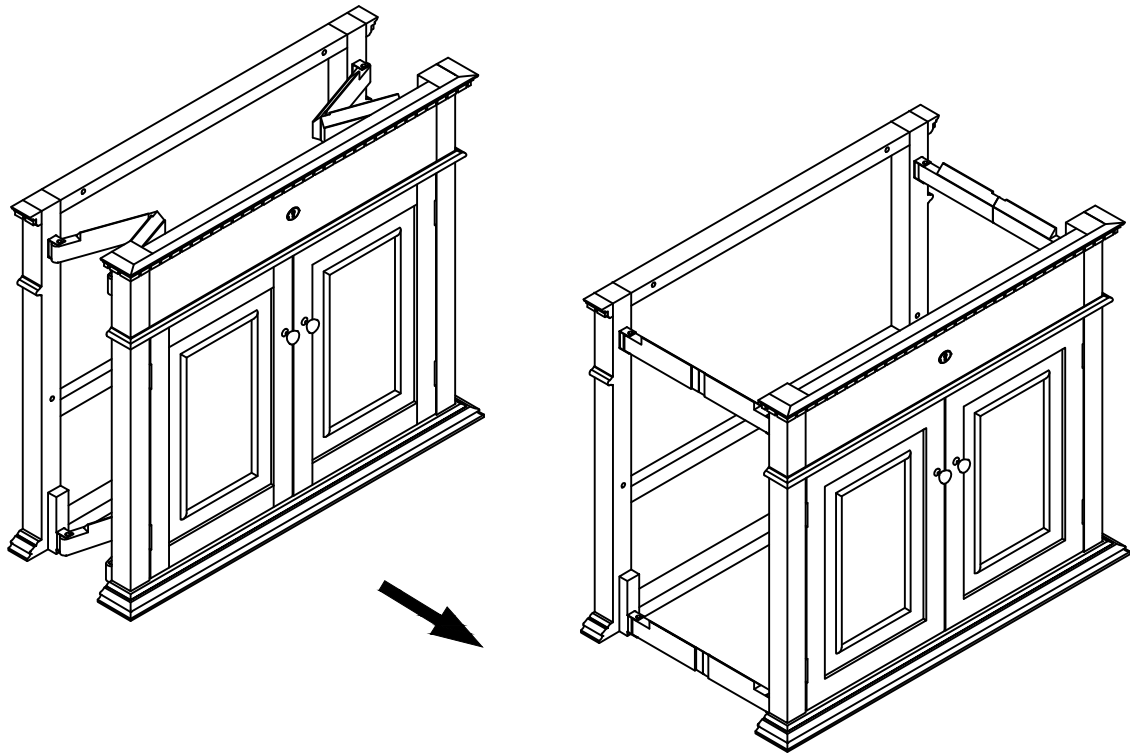


**H** x2PCS

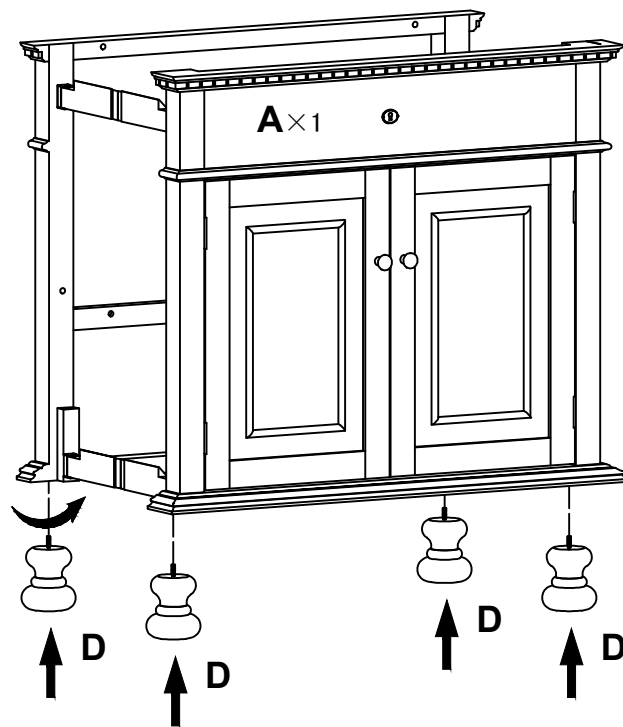


**I** x2PCS

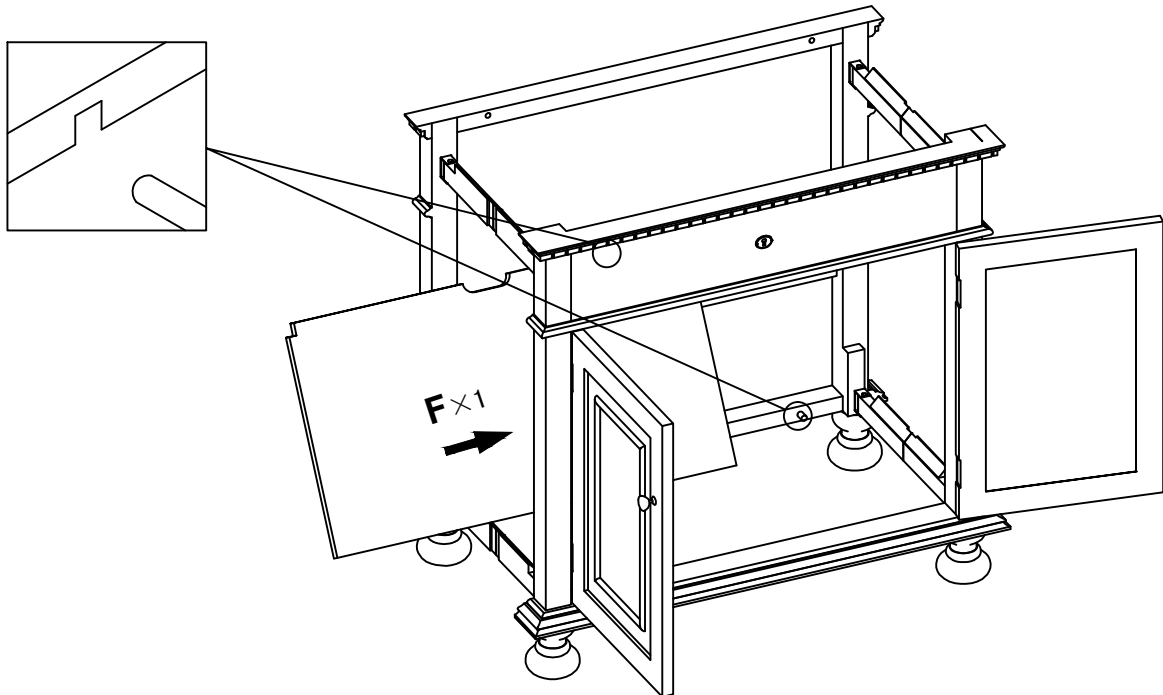
## STEP 1



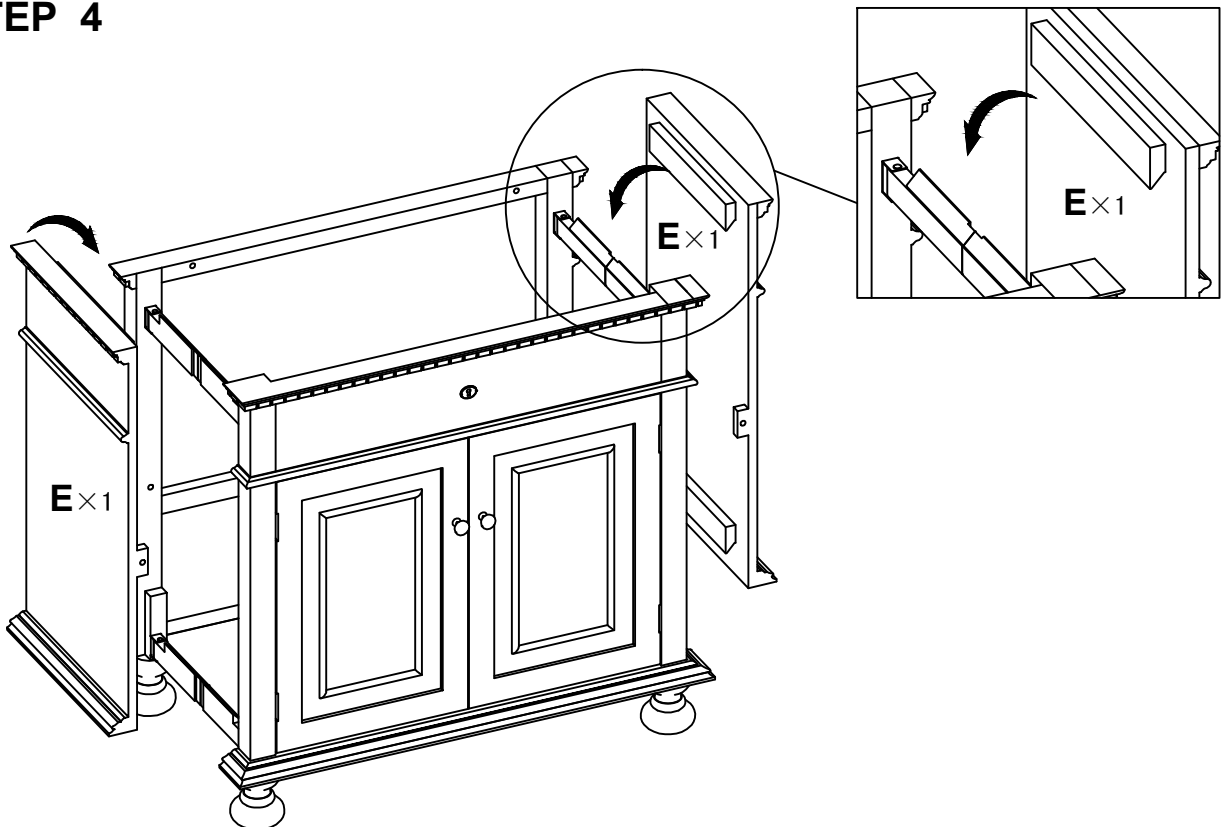
## STEP 2



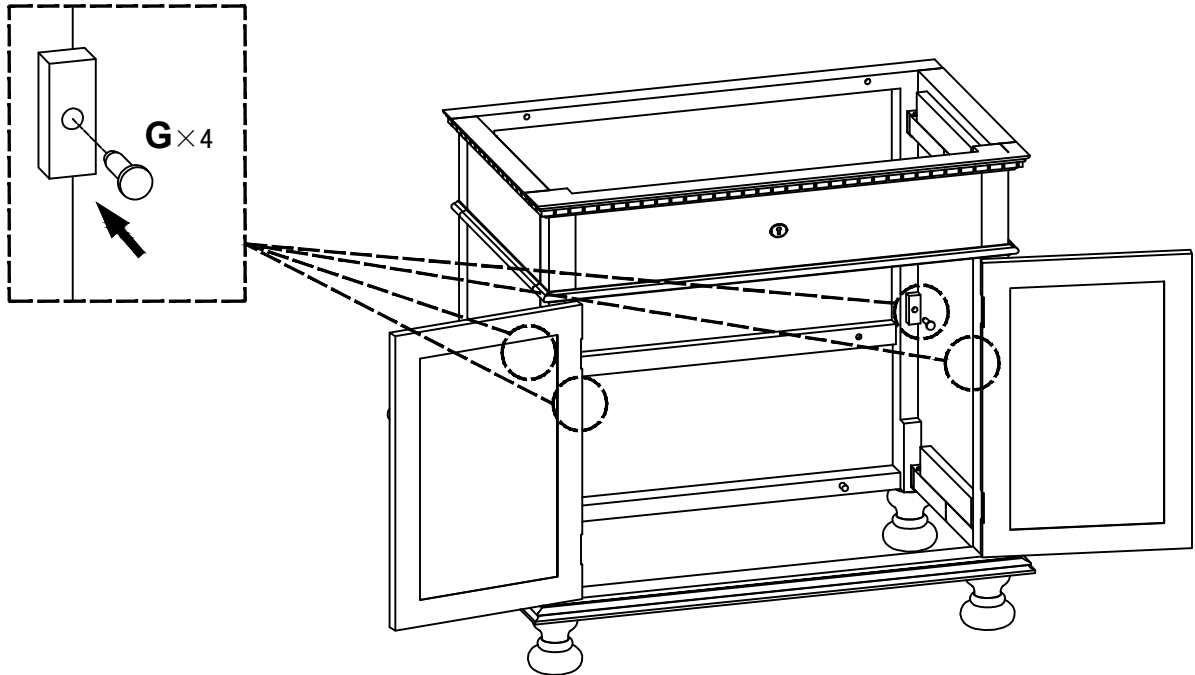
### STEP 3



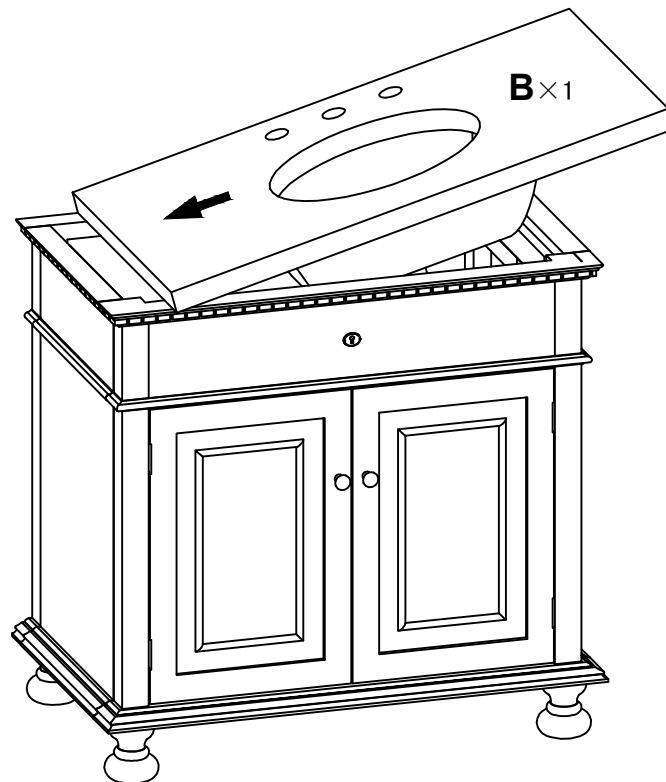
### STEP 4



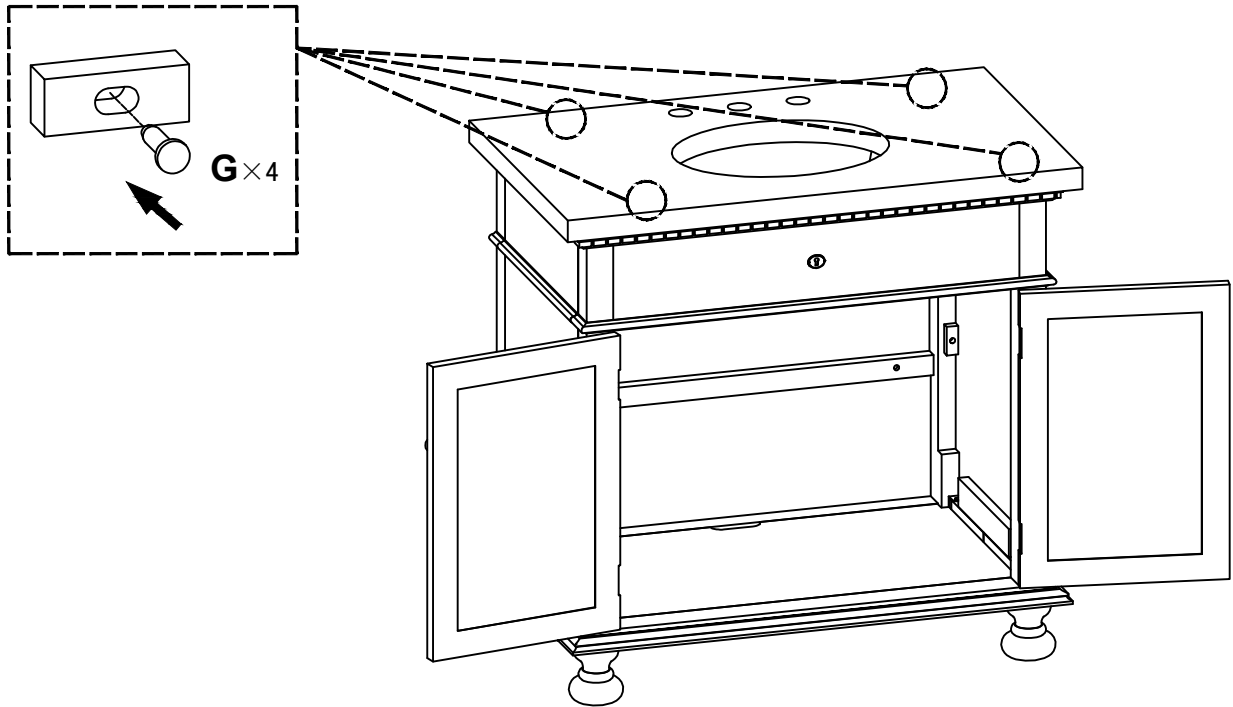
## STEP 5



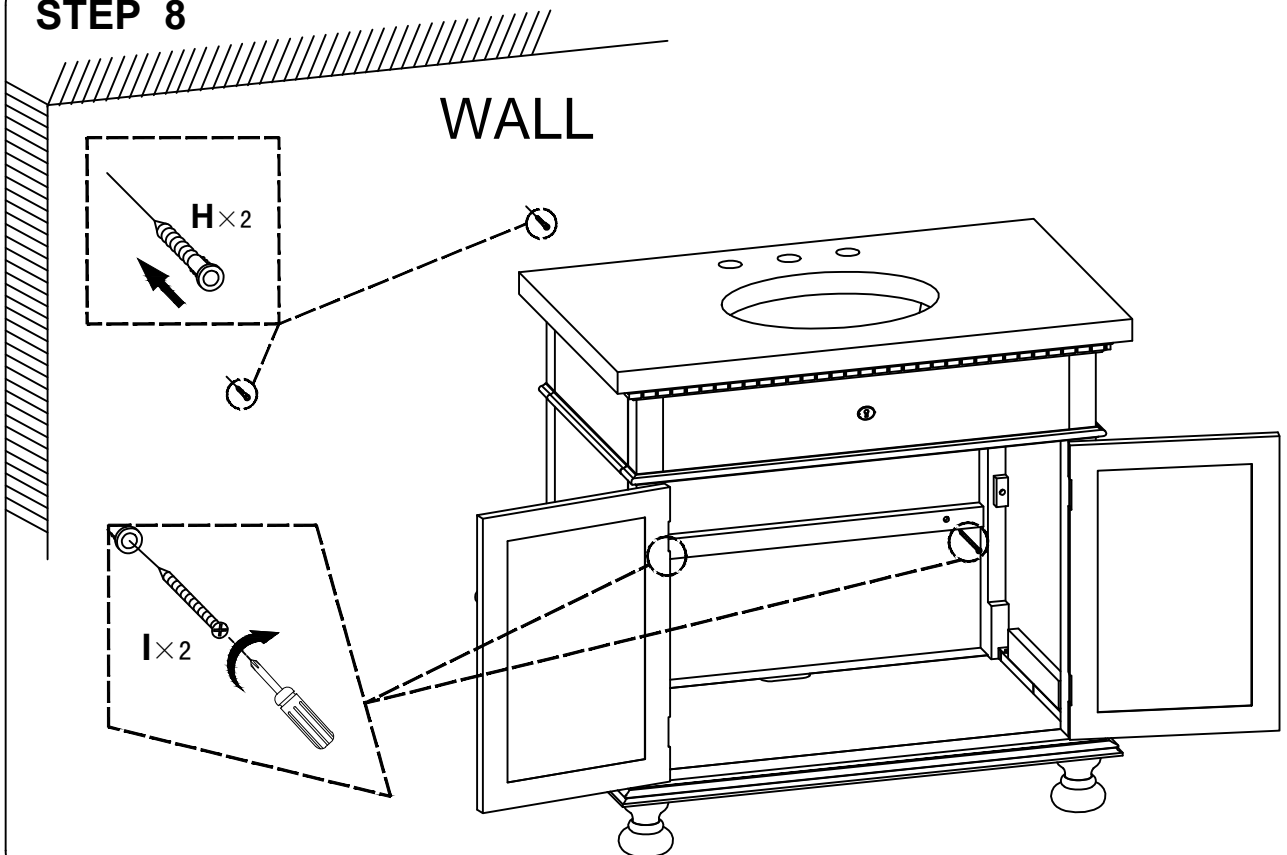
## STEP 6



## STEP 7



## STEP 8



**STEP 9**

