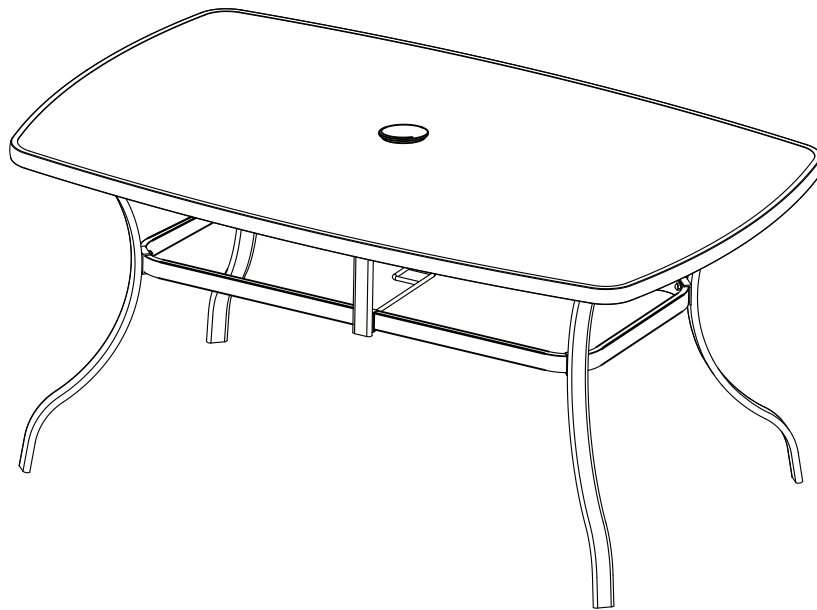




Item # 1002 086 132
Model # FTS00502JP

USE AND CARE GUIDE

38 IN. X 60 IN. GLASS DINING TABLE



Questions, problems, missing parts? Before returning to the store,
call Hampton Bay Customer Service.
8 a.m. - 7 p.m., EST, Monday - Friday, 9 a.m. - 6 p.m., EST, Saturday

1-855-HD-HAMPTON

HAMPTONBAY.COM

THANK YOU

We appreciate the trust and confidence you have placed in Hampton Bay through the purchase of this table. We strive to continually create quality products designed to enhance your home. Visit us online to see our full line of products available for your home improvement needs. Thank you for choosing Hampton Bay!

Table of Contents

Table of Contents.....	2	Pre-Assembly	3
Safety Information	2	Planning Assembly	3
Product Caution	2	Hardware Included	3
Safety Warnings	2	Package Contents.....	4
Warranty	2	Assembly	5
What is Covered	2	Care and Cleaning.....	7
What is Not Covered	2		

Safety Information

PRODUCT CAUTION

This table was made for the explicit purpose of providing outdoor functions and is not to be used as a toy. This product is intended for normal outdoor use; however, the manufacturer recommends storing and / or covering this table when any formidable / severe weather is approaching. Do not locate the product near open flames. Do not use the product as a support. Do not shake, lean or climb on the product. Children under the age of 10 near the product, should be supervised by a competent adult at all times. This product is NOT intended for commercial use and will void the warranty.

SAFETY WARNINGS



WARNING: Never use this product as a support. Do not shake, lean, or climb on the product at any time.



CAUTION: Do not locate the product near any heat source.



WARNING: Do not place heavy objects on the table top.



CAUTION: When not in use, secure the product in a cool and covered location.



WARNING: Always use an umbrella table ring.

Warranty

2 YEAR FRAME WARRANTY

WHAT IS COVERED

We warrant the frame to be free of manufacturing defects to the original purchaser for two years.

WHAT IS NOT COVERED

It remains the customer's responsibility for freight and packaging charges to and from our service center. This warranty does not cover commercial use, hardware, acts of nature, fire, freezing, and abusive use. In addition, purchased parts are not covered under this warranty. We reserve the right to make substitutions with similar merchandise, if the model in question is no longer in production.

Contact the Customer Service Team at 1-855-HD-HAMPTON or visit www.HamptonBay.com.

Pre-Assembly

PLANNING ASSEMBLY

Read all instructions before assembly.

To avoid damaging this product, assemble it on a soft, non-abrasive surface such as carpet or cardboard.

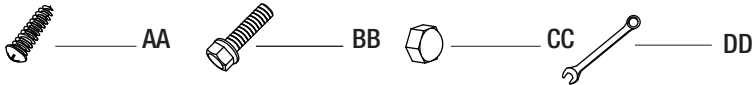


NOTE: More than one person may be required to complete the assembly of this product.

HARDWARE INCLUDED



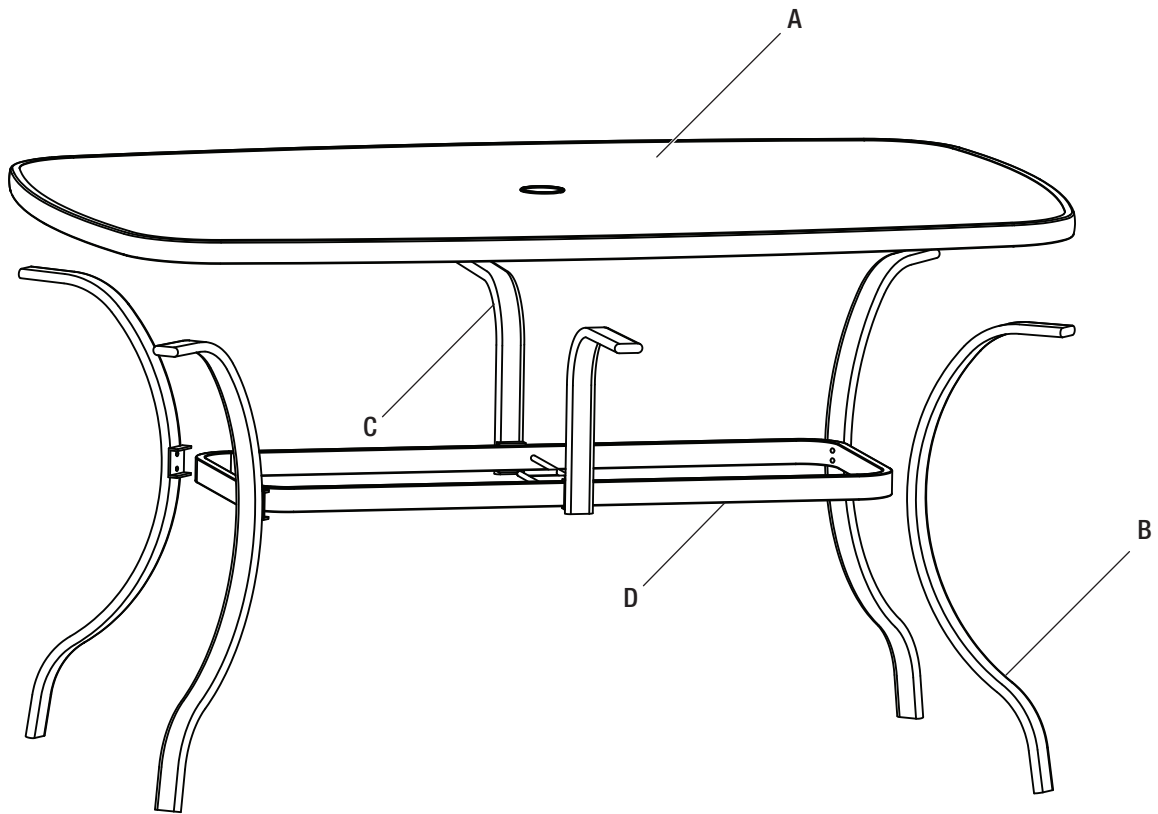
NOTE: Hardware not shown to actual size.



Part	Description	Quantity
AA	ST5x12 screw	4+1
BB	M6x25 combination hex bolt	12+1
CC	M6 bolt cover	12+1
DD	Wrench	1

Pre-Assembly (continued)

PACKAGE CONTENTS

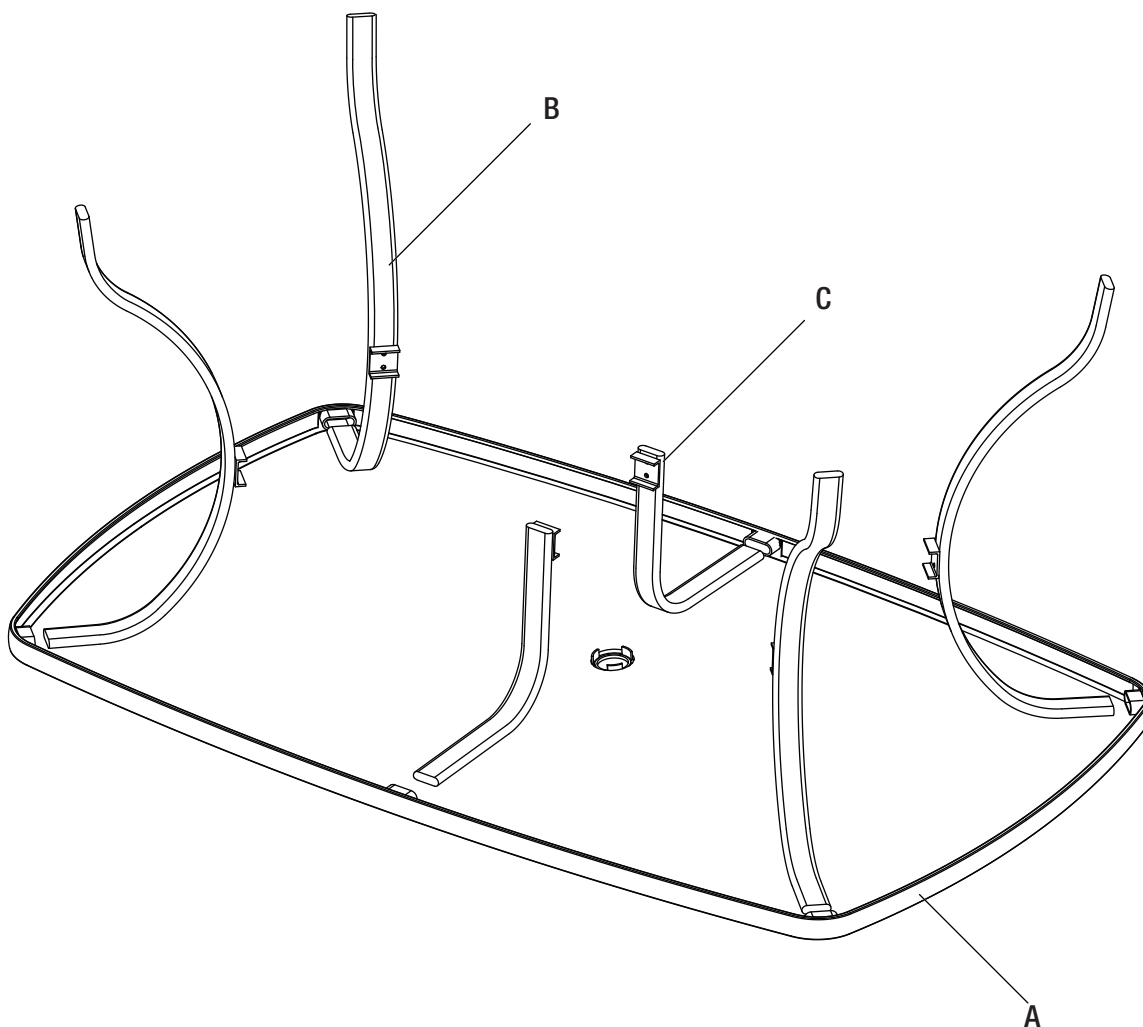


Part	Description	Quantity
A	Table top	1
B	Table leg	4
C	Support tube	2
D	Leg connector	1

Assembly

1 Attaching the table legs and the support tubes

- Place the table top (A) on a soft surface.
- Attach the table legs (B) and the support tubes (C) to the table top (A).



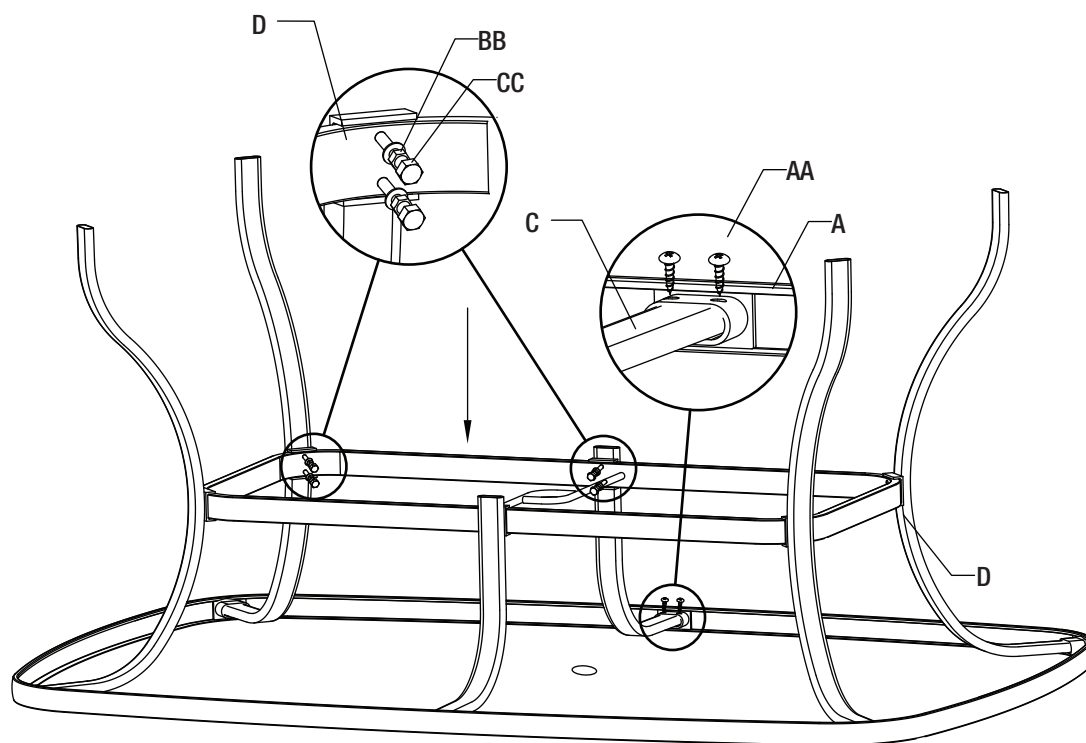
Assembly (continued)

2 Attaching the leg connector

- Attach the leg connector (D) to the table legs (B) and the support tubes (C) using M6x25 combination hex bolts (BB).
- Use the wrench (EE) to loosely tighten the M6x25 combination hex bolts (BB).
- Secure the support tubes (C) to the table top (A) by using ST5x12 screws (AA).
- Once all bolts and screws are in place, tighten all bolts and screws completely, and place M6 bolt covers (CC) over the bolts.



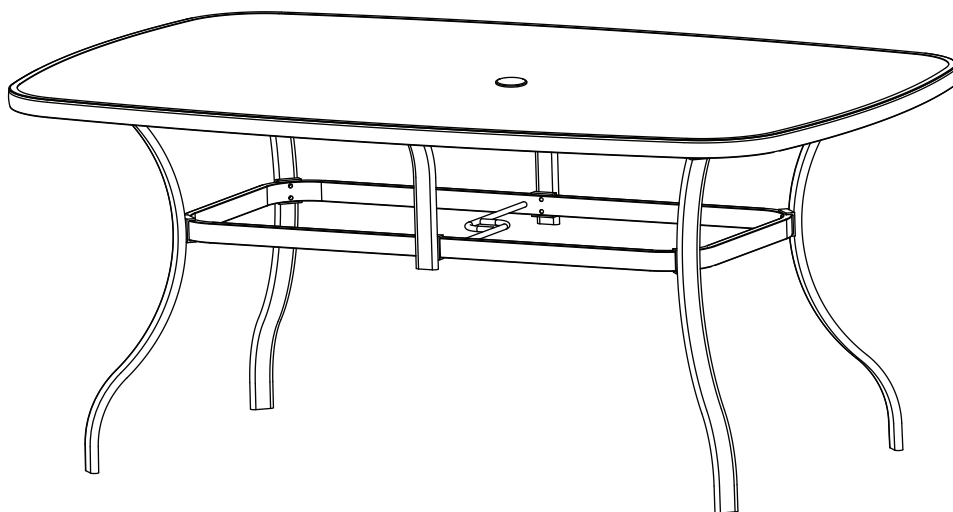
NOTE: The self-drilling tool is not included for ST5x12 screws.



Assembly (continued)

3 Checking the table

- Turn the table right side up.
- Ensure all connections are secure before use.



Care and Cleaning

- For best results, clean the frame with a damp cloth, and dry thoroughly. This will help prevent mildew by removing dirt particles that may accumulate.
- Do not clean with abrasive materials, bleach, or solvents.
- Store the table in a dry, sheltered place when not in use.
- Keep the table out of fire, extreme heat, freezing conditions, and inclement weather such as rain, hail, sleet, snow, or wind.



Questions, problems, missing parts? Before returning to the store,
call Hampton Bay Customer Service.
8 a.m. - 7 p.m., EST, Monday - Friday, 9 a.m. - 6 p.m., EST, Saturday

1-855-HD-HAMPTON

HAMPTONBAY.COM

Retain this manual for future use.