

**RYOBI**  
**48 Volt Electric Zero Turn Mower**  
**Item Nos. RY48ZTR75, RY48ZTR100**  
**Mfg. Nos. 099749015, 099749016**  
**Repair Sheet**

**TECHTRONIC INDUSTRIES POWER EQUIPMENT**

P.O. Box 1288, Anderson, SC 29622 • Phone 1-800-860-4050

États-Unis, Téléphone 1-800-860-4050 • USA, Teléfono 1-800-860-4050

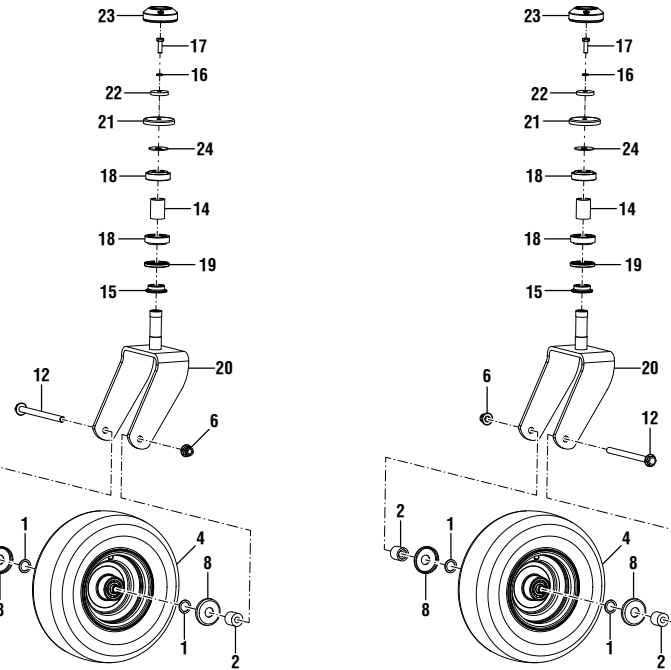
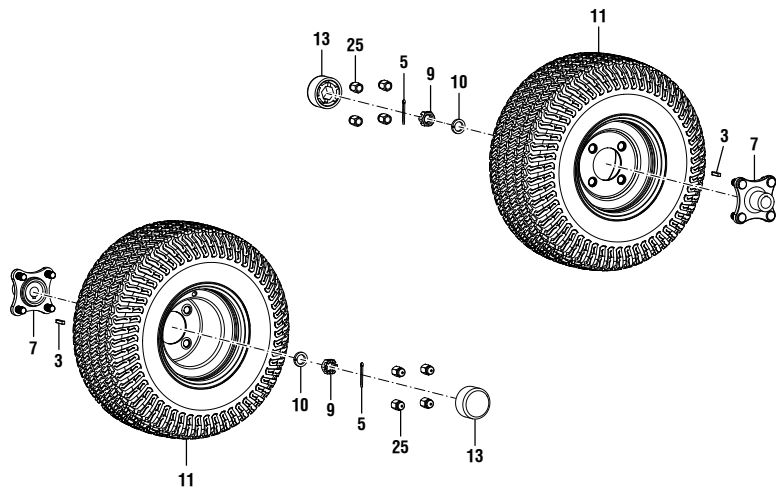
[www.ryobitools.com](http://www.ryobitools.com)

## 48 V ELECTRIC ZERO TURN MOWER – MODEL NOS. RY48ZTR75, RY48ZTR100

The model number will be found on a label under the seat. Always mention the model number in all correspondence regarding your **LAWN MOWER** or when ordering replacement parts.

**FIGURE A**

### WHEEL ASSEMBLY

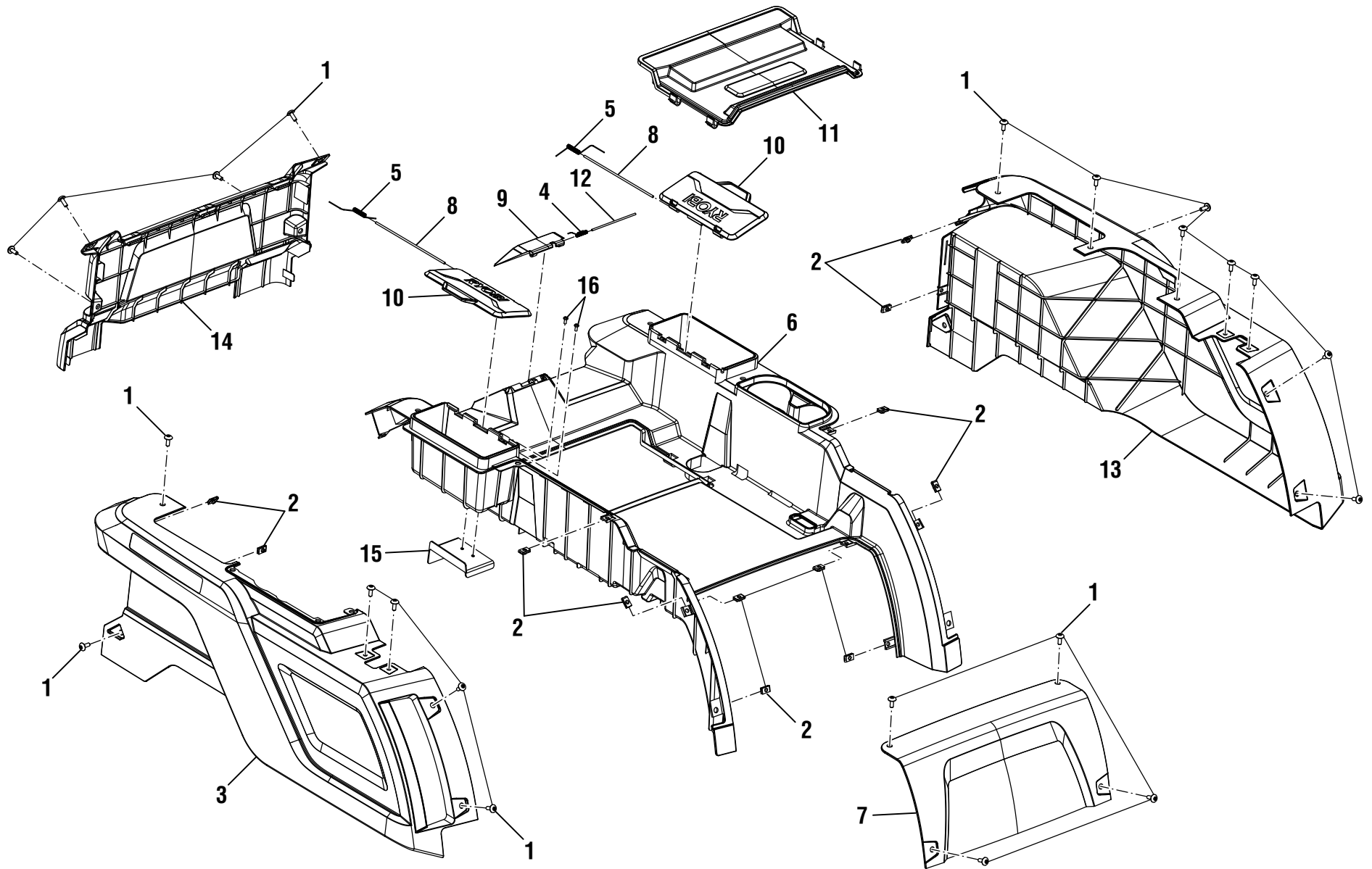


KEY NO.	PART NUMBER	DESCRIPTION	QTY
1	994842001	Washer (28 x 20.5 x 2t)	4
2	996997001	Caster Wheel Spacer	4
3	996988001	Key (6 mm x 6 mm x 30 mm)	2
4	996996001	Caster Wheel	2
5	997139001	Drive Shaft Cotter Pin	2
6	996999001	Flange Nut (M12)	2
7	996987001	Wheel Hub	2
8	994857001	Front Wheel Bearing Cover	4
9	997138001	Castle Nut (M20)	2
10	997134001	Lock Spring Washer (20.6 x 30.6 x 4.8t)	2
11	996989001	Rear Wheel Assembly	2
12	996998001	Flange Bolt (M12 x 170 mm, Hex Hd.)	2
13	996029001	Wheel Hub Cover	2

KEY NO.	PART NUMBER	DESCRIPTION	QTY
14	996993001	Bearing Assembly Spacer	2
15	996991001	Bearing Assembly Base	2
16	994770001	Lock Washer (M8)	2
17	997142001	Bolt (M8 x 25 mm)	2
18	996992001	Roller Bearing (ID 25 mm x OD 52 mm)	4
19	997125001	Rubber Seal	2
20	996990001	Caster Fork	2
21	996994001	Bearing Assembly Cap	2
22	996995001	Fender Washer (OD37 x ID8.4 x 6t)	2
23	997130001	Caster Fork Cover	2
24	997036001	Fender Washer (OD40 x ID12.5 x 2t)	2
25	997143001	Acorn Nut (M14)	8

FIGURE B

PLASTIC ASSEMBLY



## 48 V ELECTRIC ZERO TURN MOWER – MODEL NOS. RY48ZTR75, RY48ZTR100

The model number will be found on a label under the seat. Always mention the model number in all correspondence regarding your **LAWN MOWER** or when ordering replacement parts.

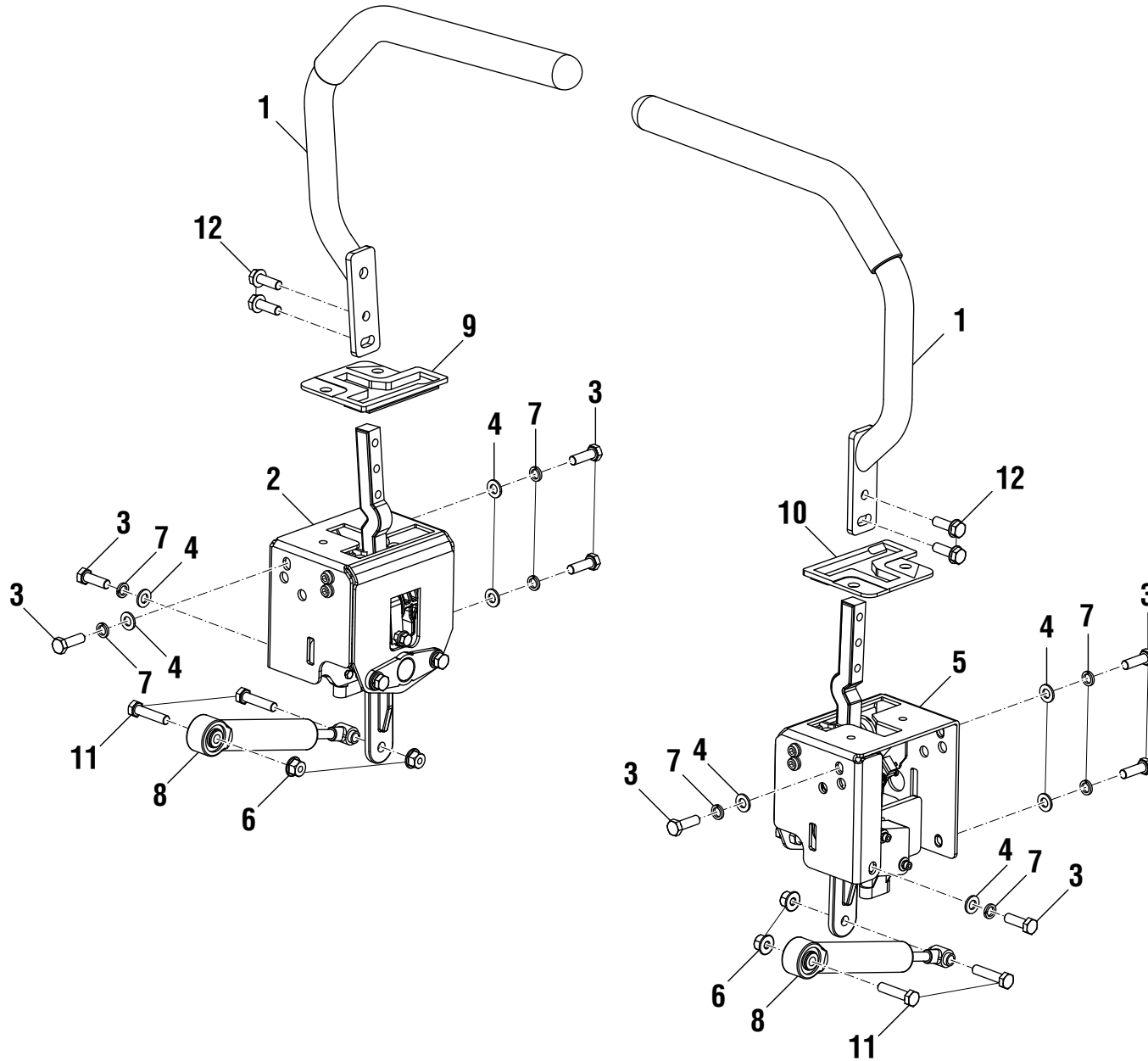
### FIGURE B

### PLASTIC ASSEMBLY

KEY NO.	PART NUMBER	DESCRIPTION	QTY
1	994989001	Screw (M6 x 16 mm, Torx Pan Hd.) .....	22
2	994785001	Clip-On Nut (M6).....	12
3	997064001	Right Trim Cover .....	1
4	997075001	Charger Port Door Spring .....	1
5	997076001	Storage Box Spring .....	2
6	997061001	Center Trim Cover .....	1
7	997066001	Front Access Panel .....	1
8	997070001	Storage Box Hinge Pin .....	2
9	997067001	Charger Port Door.....	1
10	997068001	Storage Box Lid .....	2
11	997065001	Center Access Panel .....	1
12	997069001	Charger Port Door Hinge Pin .....	1
13	997063001	Left Trim Cover .....	1
14	997062001	Rear Trim Cover .....	1
15	997087001	Main Relay Guard .....	1
16	996297001	Screw (M4 x 10 mm, Pan Hd.).....	2

FIGURE C

CONTROL ARM ASSEMBLY



**48 V ELECTRIC ZERO TURN MOWER – MODEL NOS. RY48ZTR75, RY48ZTR100**

The model number will be found on a label under the seat. Always mention the model number in all correspondence regarding your **LAWN MOWER** or when ordering replacement parts.

**FIGURE C**

**CONTROL ARM ASSEMBLY**

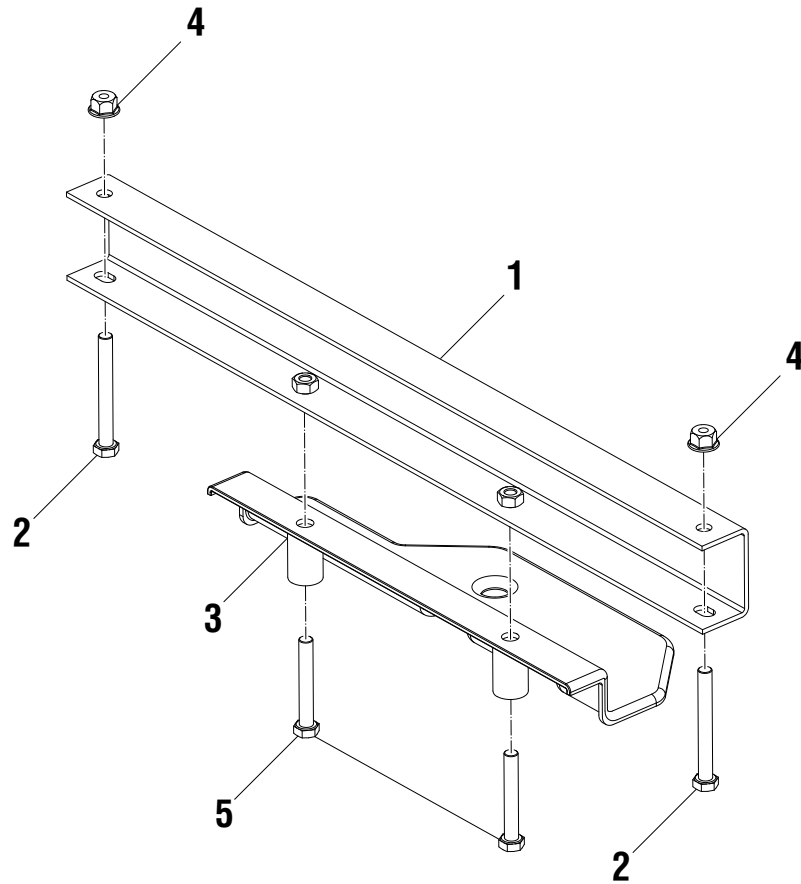
<b>KEY NO.</b>	<b>PART NUMBER</b>	<b>DESCRIPTION</b>	<b>QTY</b>
1	997045001	Control Arm Handle .....	2
2	997144001	Control Arm Assembly, Left .....	1
3	996046001	Bolt (M8 x 25 mm, Hex Hd.) .....	8
4	994771001	Washer (M8) .....	8
5	997145001	Control Arm Assembly, Right.....	1
6	994867001	Flange Nut (M8) .....	4
7	994770001	Lock Washer (M8) .....	8
8	997072001	Control Arm Damper.....	2
9	997043001	T Slot Insert, Left .....	1
10	997044001	T Slot Insert, Right .....	1
11	997135001	Bolt (M8 x 35 mm, Hex Hd.) .....	4
12	997146001	Bolt w/Washer (M8 x 25 mm, Hex Hd.) .....	4

# 48 V ELECTRIC ZERO TURN MOWER – MODEL NOS. RY48ZTR75, RY48ZTR100

The model number will be found on a label under the seat. Always mention the model number in all correspondence regarding your **LAWN MOWER** or when ordering replacement parts.

**FIGURE D**

## REAR CROSS MEMBER ASSEMBLY



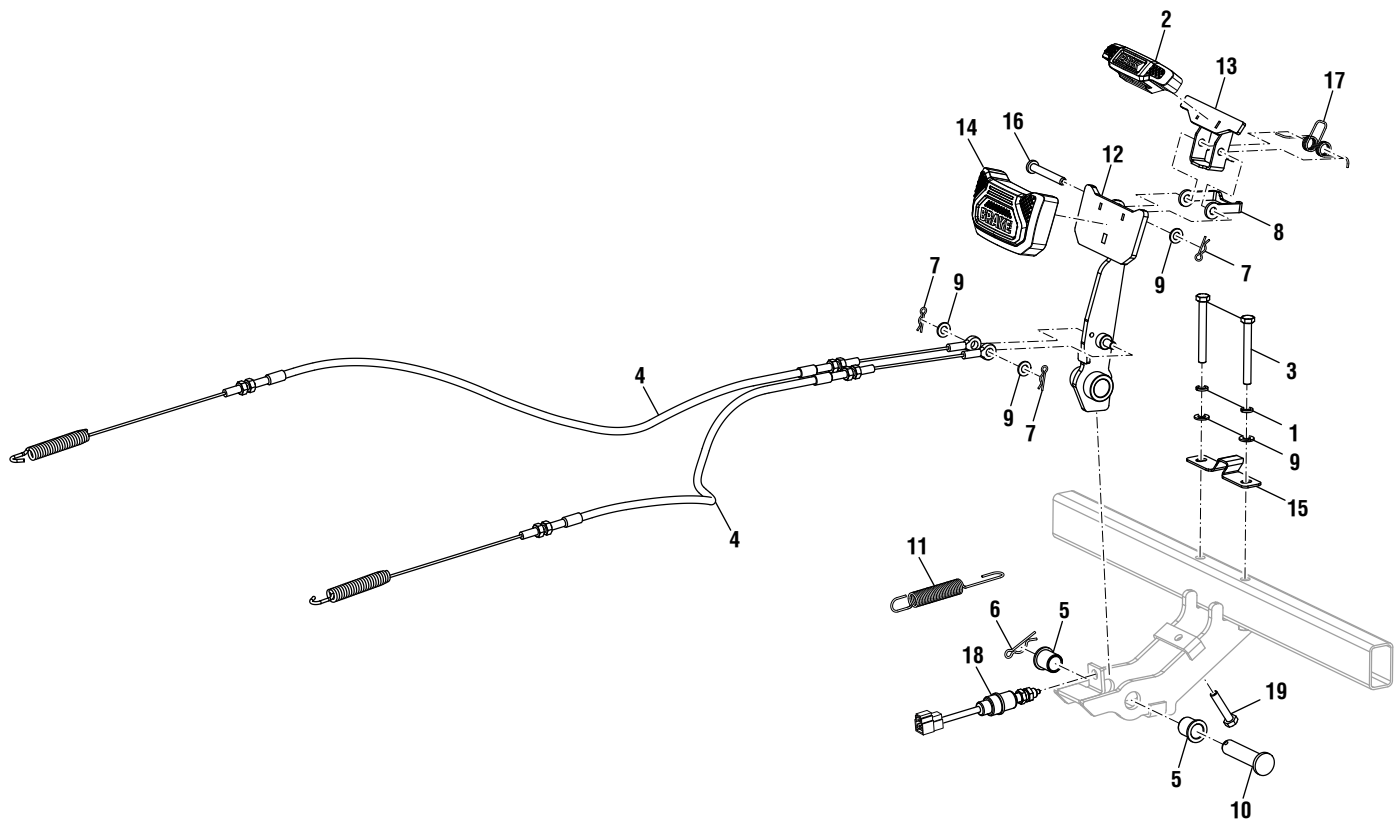
KEY PART NO.	PART NUMBER	DESCRIPTION	QTY
1	996983001	Rear Cross Member, Frame.....	1
2	997089001	Bolt (M8 x 70 mm, Hex Hd.) .....	2
3	997051001	Tow Hitch .....	1
4	994867001	Flange Nut (M8) .....	2
5	997136001	Bolt (M8 x 55 mm, Hex Hd.) .....	2

# 48 V ELECTRIC ZERO TURN MOWER – MODEL NOS. RY48ZTR75, RY48ZTR100

The model number will be found on a label under the seat. Always mention the model number in all correspondence regarding your **LAWN MOWER** or when ordering replacement parts.

**FIGURE E**

## BRAKE ASSEMBLY

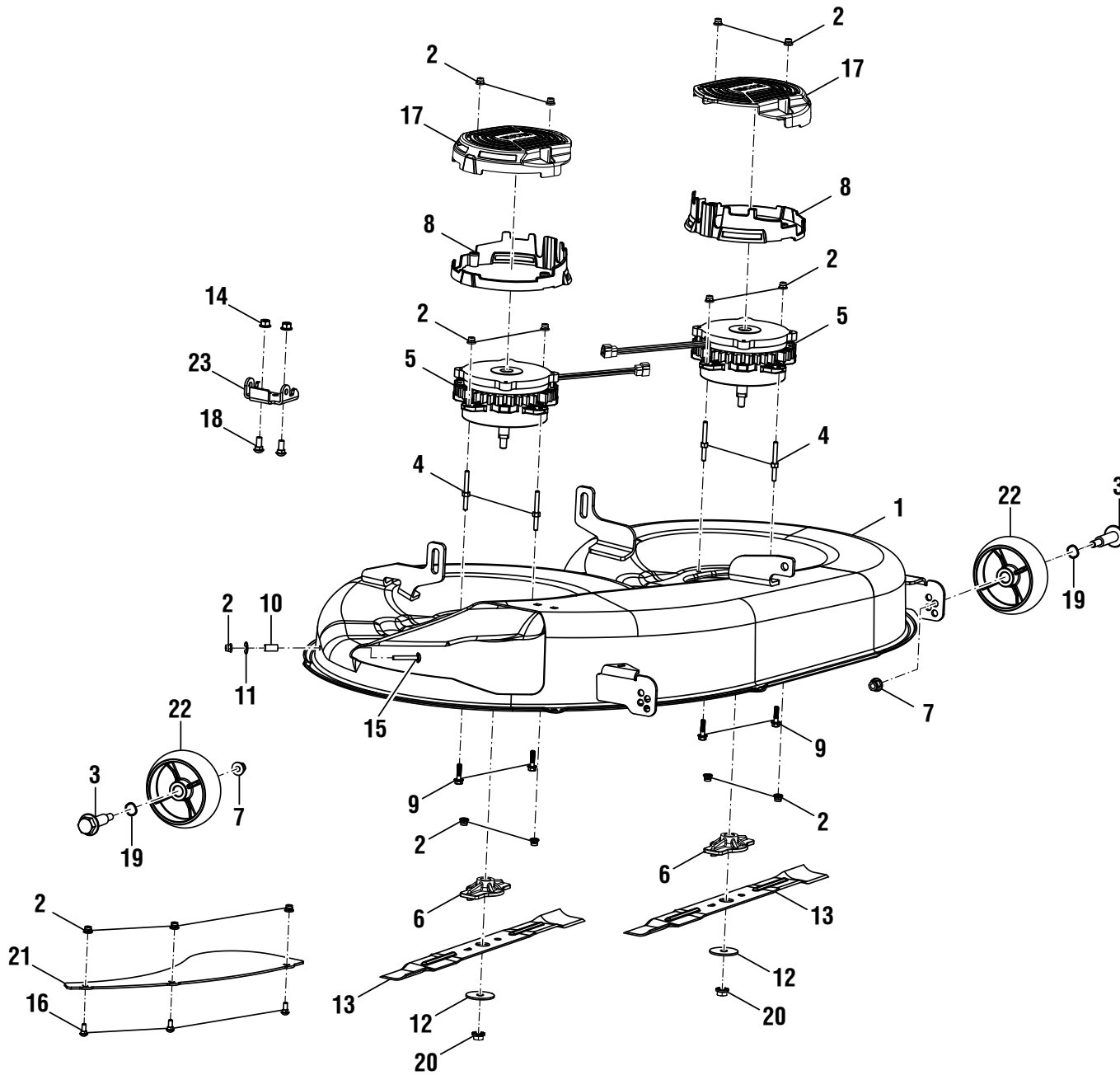


KEY NO.	PART NUMBER	DESCRIPTION	QTY
1	994770001	Lock Washer (M8) .....	2
2	997010001	Parking Brake Rubber Pad .....	1
3	997089001	Bolt (M8 x 70 mm, Hex Hd.) .....	2
4	997012001	Brake Cable .....	2
5	994928001	Bushing, Brake Pedal .....	2
6	994930001	Cotter Pin (16 mm) .....	1
7	996013001	Cotter Pin .....	3
8	997006001	Parking Brake Latch .....	1
9	994771001	Washer (M8) .....	5
10	994929001	Pedal Axle Pin .....	1
11	997011001	Brake Pedal Spring .....	1
12	997004001	Brake Pedal Lever .....	1
13	997005001	Parking Brake Pedal .....	1
14	997009001	Brake Pedal Rubber Pad .....	1
15	997003001	Brake Latch Hook .....	1
16	997007001	Clevis Pin (M8 x 60 mm) .....	1
17	997008001	Parking Brake Torsion Spring .....	1
18	994837001	Brake Switch .....	1
19	997131001	Bolt (M8 x 40 mm, Hex Hd.) .....	1



FIGURE F

DECK ASSEMBLY



**48 V ELECTRIC ZERO TURN MOWER – MODEL NOS. RY48ZTR75, RY48ZTR100**

The model number will be found on a label under the seat. Always mention the model number in all correspondence regarding your **LAWN MOWER** or when ordering replacement parts.

**FIGURE F**

**DECK ASSEMBLY PARTS LIST**

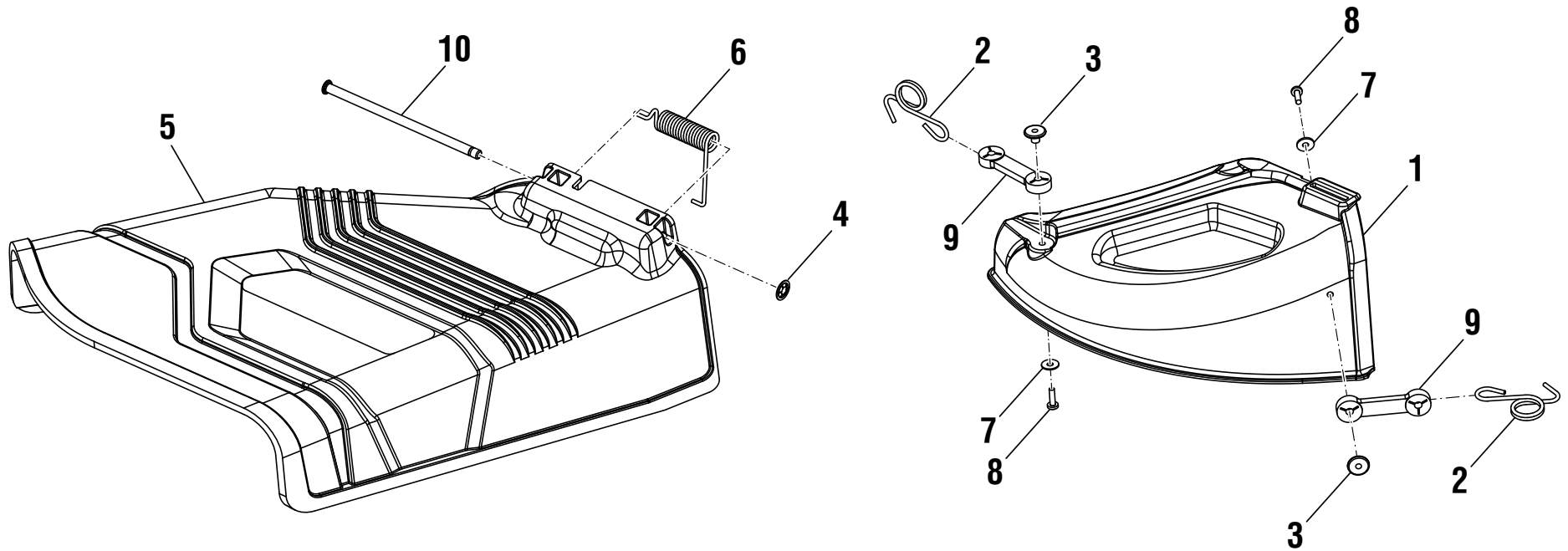
<b>KEY NO.</b>	<b>PART NUMBER</b>	<b>DESCRIPTION</b>	<b>QTY</b>	<b>KEY NO.</b>	<b>PART NUMBER</b>	<b>DESCRIPTION</b>	<b>QTY</b>
1	997020001	Deck, 42 in.....	1	13	682282001	Blade (21 in.).....	2
2	996251001	Flange Lock Nut (M6 x 1).....	16	14	994867001	Flange Nut (M8).....	2
3	996205001	M10 x 70 Shoulder Bolt (16 OD 47.5 mm).....	2	15	996250001	Screw (M6 x 40 mm, Torx Hd.).....	1
4	996201001	Threaded Stud (M6 x 35 mm).....	4	16	994791001	Carriage Bolt (M6 x 16 mm).....	3
5	997026001	Deck Motor.....	2	17	997084001	Deck Motor Cover, Top.....	2
6	997027001	Blade Adapter.....	2	18	996050001	Carriage Bolt (M8 x 20 mm).....	2
7	996192001	Lock Nut (M10 X 1.5 mm, Hex Hd.).....	2	19	996355001	Spring Washer.....	2
8	997083001	Deck Motor Cover, Bottom.....	2	20	996261001	Lock Nut (M10 x 1.25).....	2
9	996057001	Flange Bolt (M6 x 25 mm, Hex Hd.).....	4	21	997074001	Deck Baffle (42 in.).....	1
10	996039001	Deck Bagger Chute Mounting Shaft.....	1	22	996265001	Front Deck Roller Wheel (127 Dia.).....	2
11	996034001	Flat Washer (M6, 18 mm OD).....	1	23	997127001	Discharge Chute Mounting Bracket.....	1
12	997028001	Blade Retainer Washer.....	2				

**48 V ELECTRIC ZERO TURN MOWER – MODEL NOS. RY48ZTR75, RY48ZTR100**

The model number will be found on a label under the seat. Always mention the model number in all correspondence regarding your **LAWN MOWER** or when ordering replacement parts.

**FIGURE G**

**DISCHARGE AND MULCH COVER ASSEMBLY**



KEY NO.	PART NUMBER	DESCRIPTION	QTY
1	997085001	Mulch Plug, ZTR .....	1
2	996211001	Bagger Kit Latch Spring .....	2
3	996212001	Anchor, Bungie, Riding Mower .....	2
4	996292001	Push-On Retainer Clip .....	1
5	997060001	Side Discharge Chute, 42 in. Deck .....	1

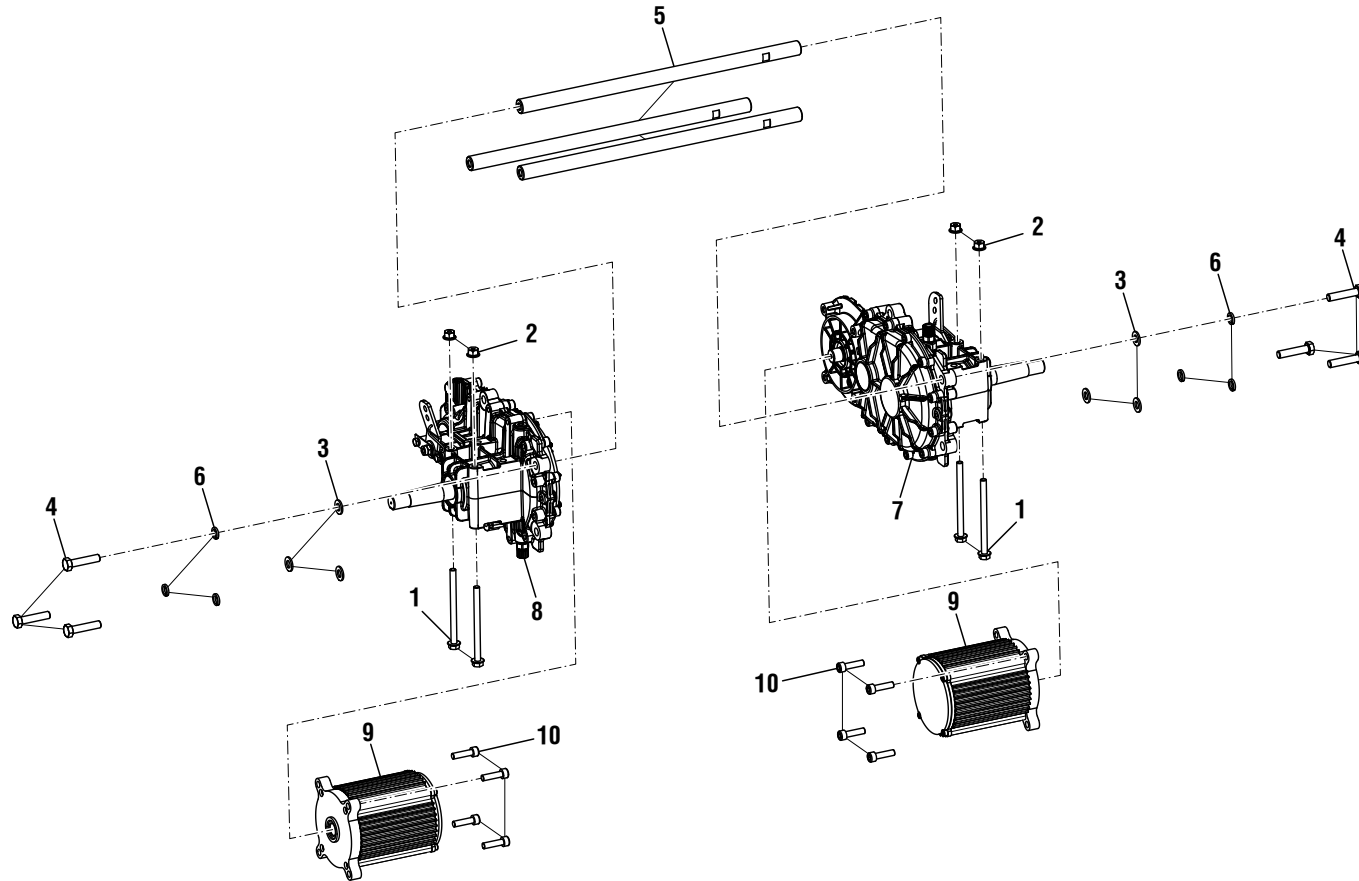
KEY NO.	PART NUMBER	DESCRIPTION	QTY
6	994980001	Torsion Spring (19 x 62 x 3.02) .....	1
7	996217001	Washer (ID5.3 x OD15 x 1t) .....	2
8	996213001	Anchor Screw, Bungie, Riding Mower .....	2
9	996203001	Rubber Strap, Mulching Cover .....	2
10	994981001	Hinge Pin (7.85 x 175.85) .....	1

## 48 V ELECTRIC ZERO TURN MOWER – MODEL NOS. RY48ZTR75, RY48ZTR100

The model number will be found on a label under the seat. Always mention the model number in all correspondence regarding your **LAWN MOWER** or when ordering replacement parts.

**FIGURE H**

### DRIVE TRAIN ASSEMBLY

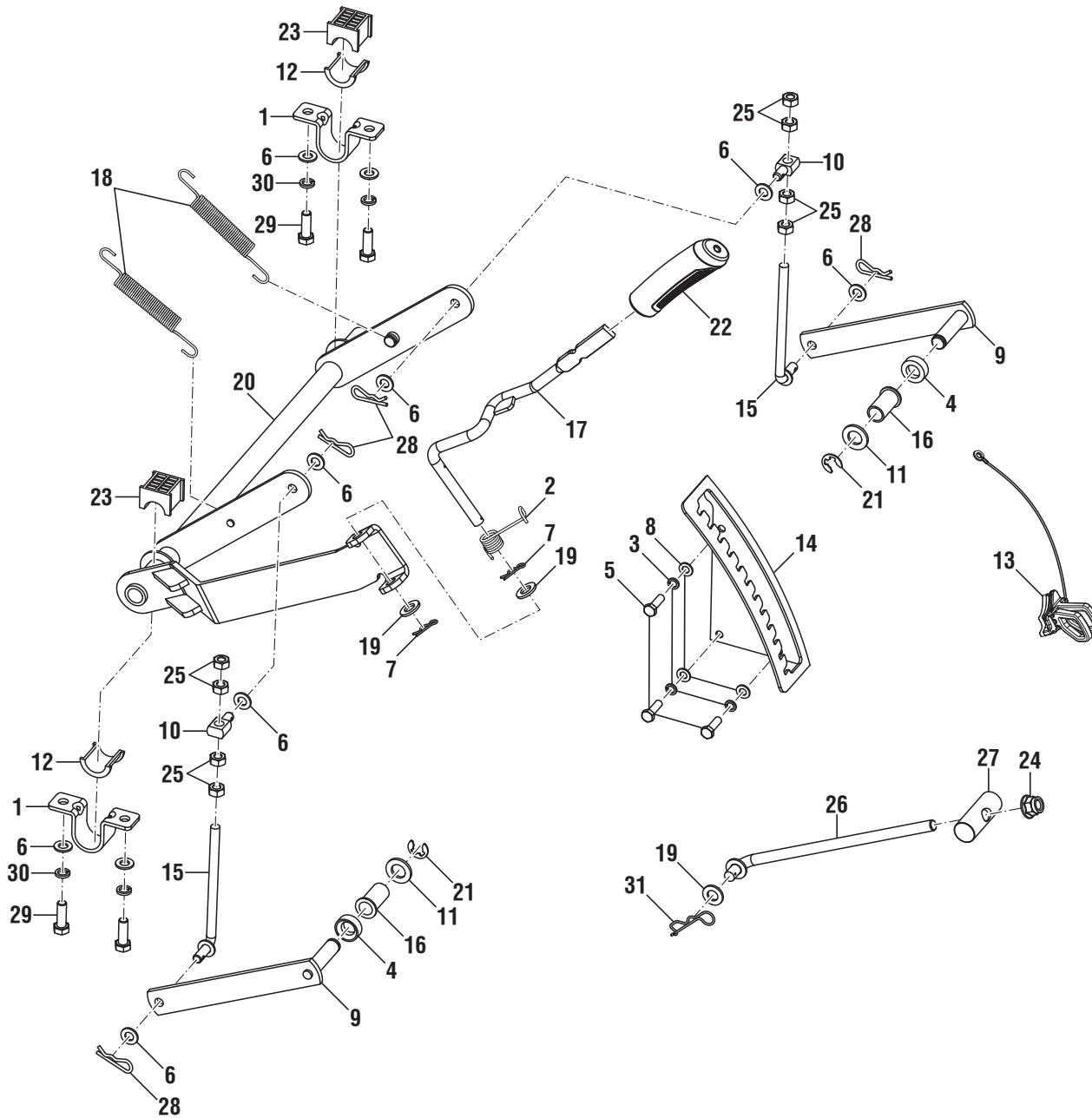


KEY NO.	PART NUMBER	DESCRIPTION	QTY
1	997088001	Flange Bolt (M8 x 110 mm, Hex Hd.).....	4
2	994867001	Flange Nut (M8) .....	4
3	994996001	Washer (M10 x 20) .....	6
4	996323001	Bolt (M10 x 45 mm, Hex Hd.) .....	6
5	997000001	Tie Rod.....	3

KEY NO.	PART NUMBER	DESCRIPTION	QTY
6	994998001	Lock Spring Washer (10.9 x 16.1 x 2.6t).....	6
7	997158001	Gearbox, Left .....	1
8	997159001	Gearbox, Right.....	1
9	997157001	Drive Motor, ZTR.....	2
10	997160001	Screw (M8 x 30 mm, Soc Hd.).....	8

DECK LIFTING ASSEMBLY

FIGURE I



**48 V ELECTRIC ZERO TURN MOWER – MODEL NOS. RY48ZTR75, RY48ZTR100**

The model number will be found on a label under the seat. Always mention the model number in all correspondence regarding your **LAWN MOWER** or when ordering replacement parts.

**FIGURE I**

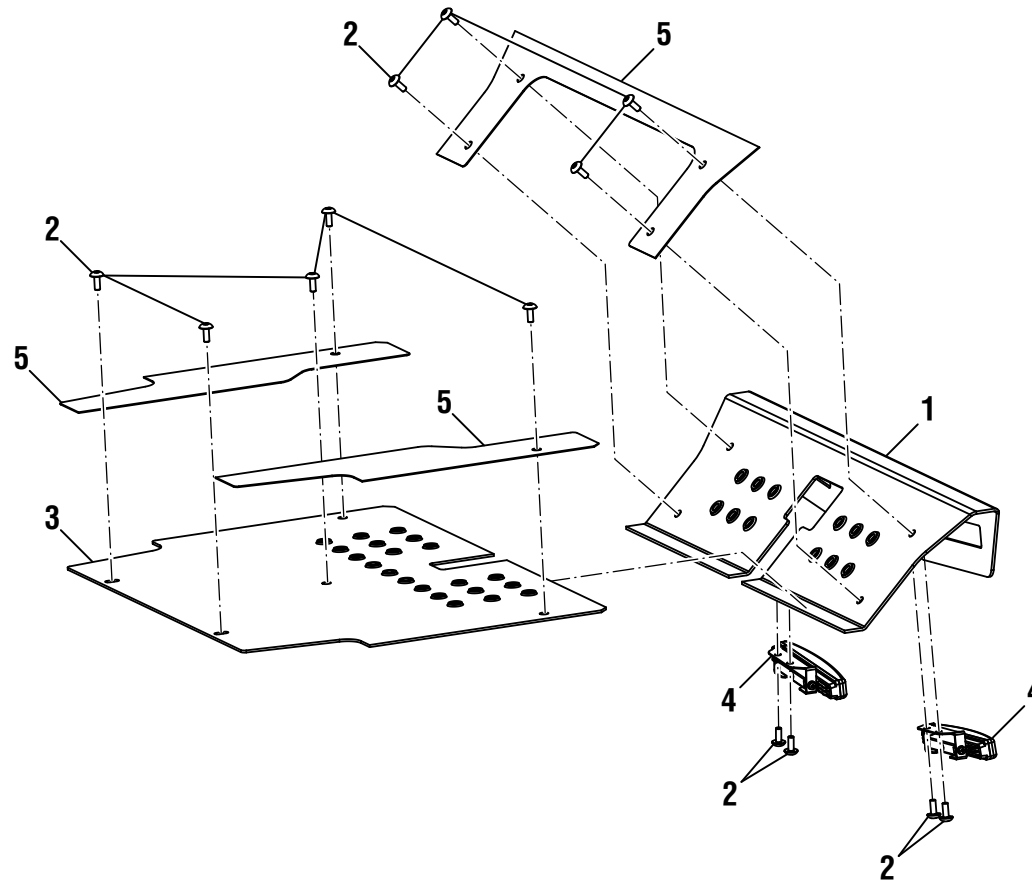
**DECK LIFTING ASSEMBLY**

<b>KEY NO.</b>	<b>PART NUMBER</b>	<b>DESCRIPTION</b>	<b>QTY</b>	<b>KEY NO.</b>	<b>PART NUMBER</b>	<b>DESCRIPTION</b>	<b>QTY</b>
1	997013001	Deck Lift Axle Mount .....	2	17	997022001	Deck Lift Lever.....	1
2	997023001	Deck Lift Lever Torsion Spring.....	1	18	997025001	Deck Lift Spring .....	2
3	994770001	Lock Washer (M8) .....	3	19	994891001	Washer (M13).....	3
4	997093001	Deck Lift Linkage Spacer.....	2	20	997016001	Deck Lift Linkage and Axle Assembly .....	1
5	996046001	Bolt (M8 x 25 mm).....	3	21	994833001	E-Clip, 12 mm Shaft Dia. ....	2
6	994996001	Washer (M10 x 20) .....	10	22	994972001	Decklift Handle.....	1
7	994892001	Cotter Pin.....	2	23	997014001	Deck Lift Axle Bushing,Top.....	2
8	994771001	Washer (M8) .....	3	24	996999001	Flange Nut (M12) .....	1
9	997018001	Deck Lift Linkage .....	2	25	996263001	Nut (M10 x 1.5) .....	8
10	997126001	Hanger Stud, ZTR.....	2	26	997021001	J Hook, Front Deck Hanger .....	1
11	994763001	Washer (17 x 30 x 3t) .....	2	27	997097001	Front Deck Hanger Pivot Axle.....	1
12	997015001	Deck Lift Axle Bushing, Bottom.....	2	28	996233001	Cotter Pin.....	4
13	997128001	Cut Height Memory Plug .....	1	29	997106001	Hex Head (M10 x 30 mm).....	4
14	997024001	Detent Plate .....	1	30	994998001	Lock Spring Washer (10.9 x 16.1 x 2.6t).....	4
15	997017001	J Hook, Deck Hanger.....	2	31	997140001	Hinge Cotter Pin .....	1
16	997019001	Deck Lift Linkage Bushing .....	2				

The model number will be found on a label under the seat. Always mention the model number in all correspondence regarding your **LAWN MOWER** or when ordering replacement parts.

**FIGURE J**

**FLOOR PANEL ASSEMBLY**



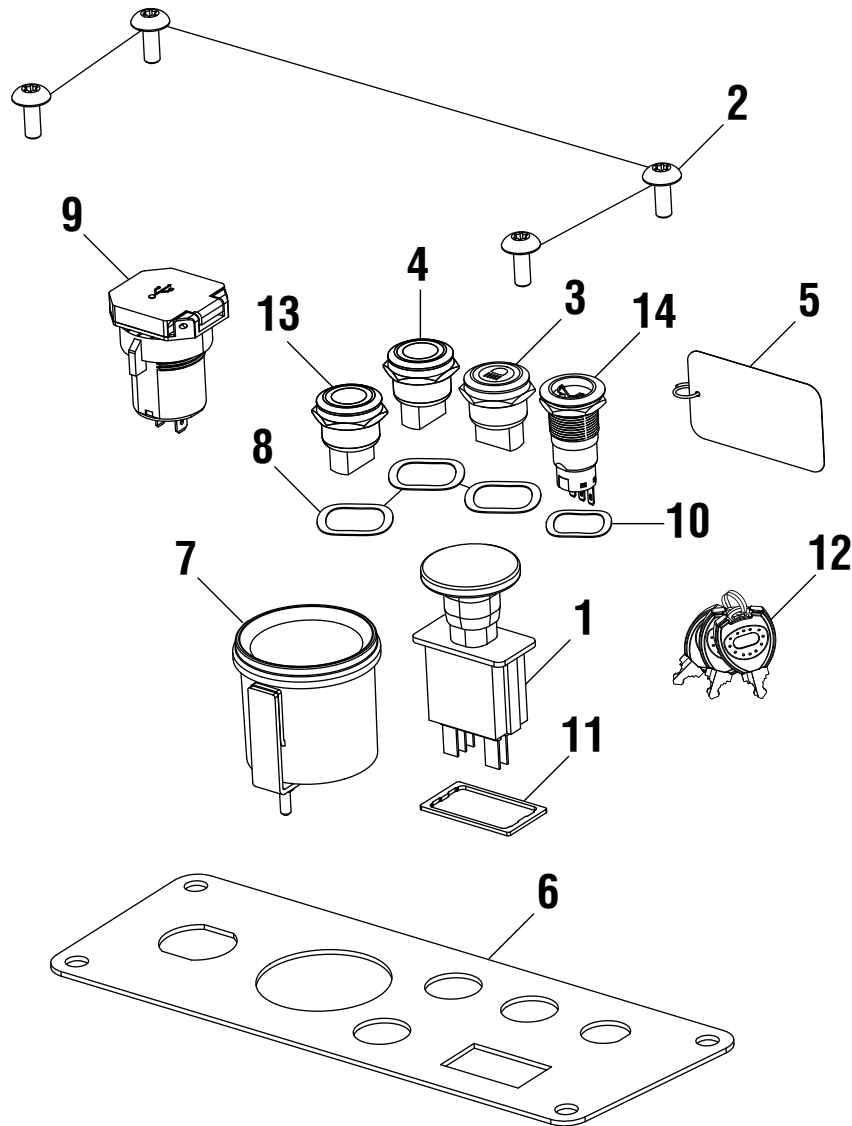
KEY NO.	PART NUMBER	DESCRIPTION	QTY
1	997002001	Foot Rest Plate .....	1
2	994989001	Screw (M6 x 1 x 16, Torx Hd.).....	13
3	997001001	Floor Plate.....	1
4	994957001	Light Assembly, Riding Mower .....	2
5	997081001	Anti Slip Decal Package.....	1

**48 V ELECTRIC ZERO TURN MOWER – MODEL NOS. RY48ZTR75, RY48ZTR100**

The model number will be found on a label under the seat. Always mention the model number in all correspondence regarding your **LAWN MOWER** or when ordering replacement parts.

**FIGURE K**

**CONTROL PANEL ASSEMBLY**



KEY PART NO.	NUMBER	DESCRIPTION	QTY
1	994970001	PTO .....	1
2	994989001	Screw (M6 x 1.00 x 16, Torx Hd.).....	4
3	994966001	Light Switch Button .....	1
4	997080001	Button Switch, Drive Speed.....	1
5	996288001	Warning Tag .....	1
6	997071001	Control Panel Face Plate .....	1
7	997078001	Fuel Gauge, ZTR.....	1
8	996361001	Spring Washer 2 .....	3
9	994963001	USB Module.....	1
10	996362001	Spring Washer 3 .....	1
11	997082001	PTO Gasket .....	1
12	996049001	Key, Riding Mower.....	1
13	997079001	Button Switch, Blade Speed.....	1
14	994964001	Key Module.....	1



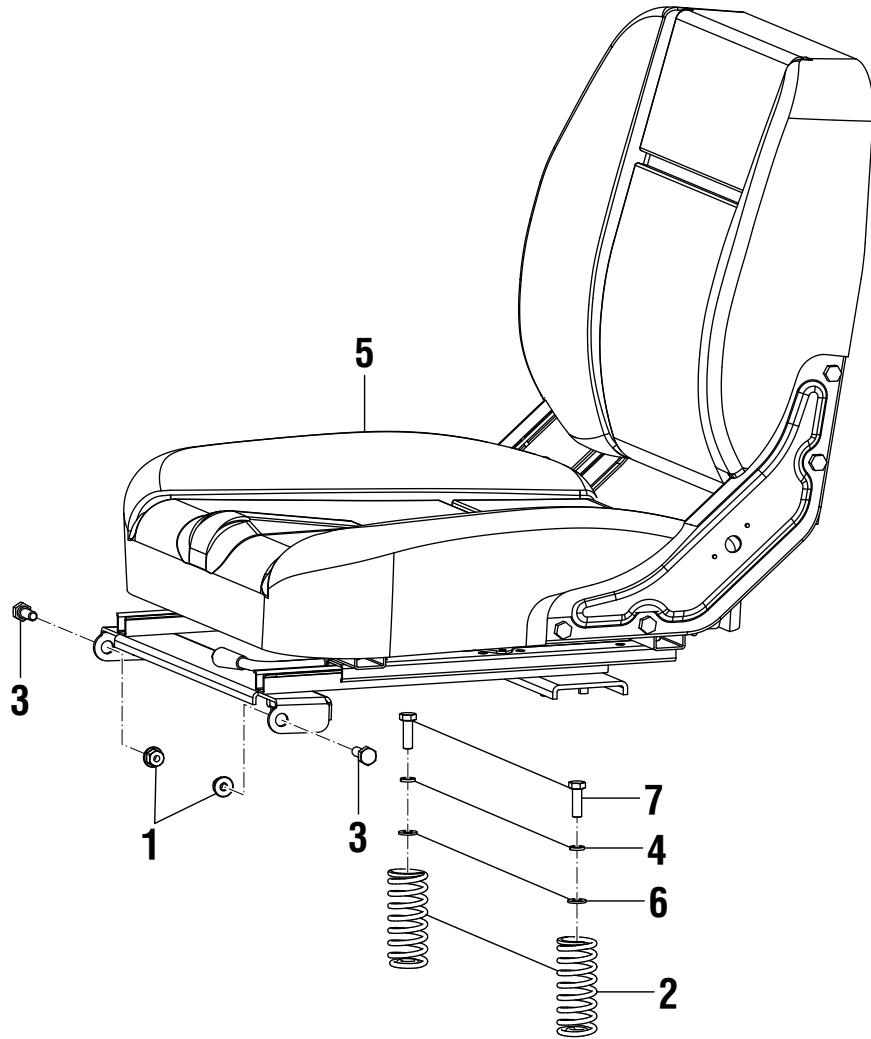
**48 V ELECTRIC ZERO TURN MOWER – MODEL NOS. RY48ZTR75, RY48ZTR100**

The model number will be found on a label under the seat. Always mention the model number in all correspondence regarding your **LAWN MOWER** or when ordering replacement parts.

**FIGURE L**

**SEAT AND SEAT SPRINGS**

KEY NO.	PART NUMBER	DESCRIPTION	QTY
1	994867001	Flange Nut (M8) .....	2
2	997073001	Seat Spring, ZTR .....	2
3	994849001	Shoulder Bolt (M8 x 20 x 4) .....	2
4	994770001	Lock Washer (M8) .....	2
5	997054001	Seat, ZTR .....	1
6	994771001	Washer (M8) .....	2
7	996046001	Bolt (M8 x 25 mm).....	2

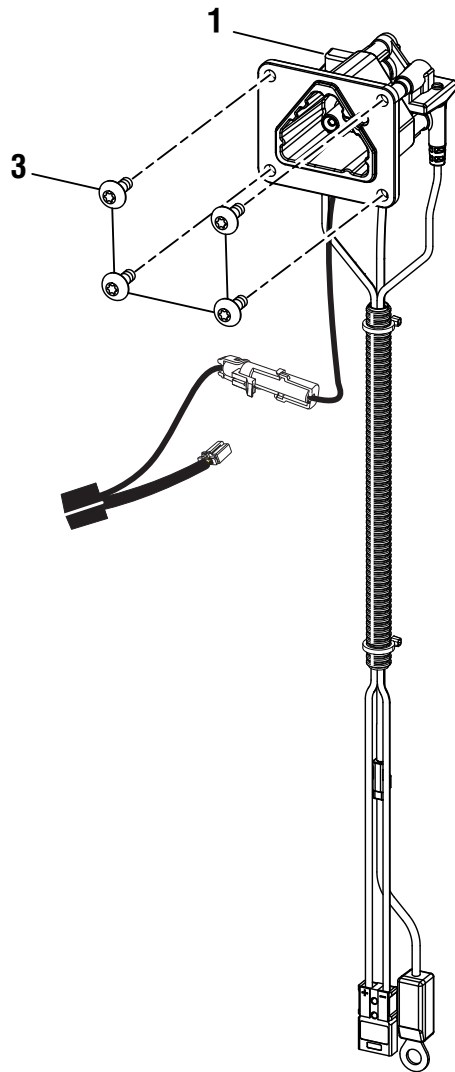


**48 V ELECTRIC ZERO TURN MOWER – MODEL NOS. RY48ZTR75, RY48ZTR100**

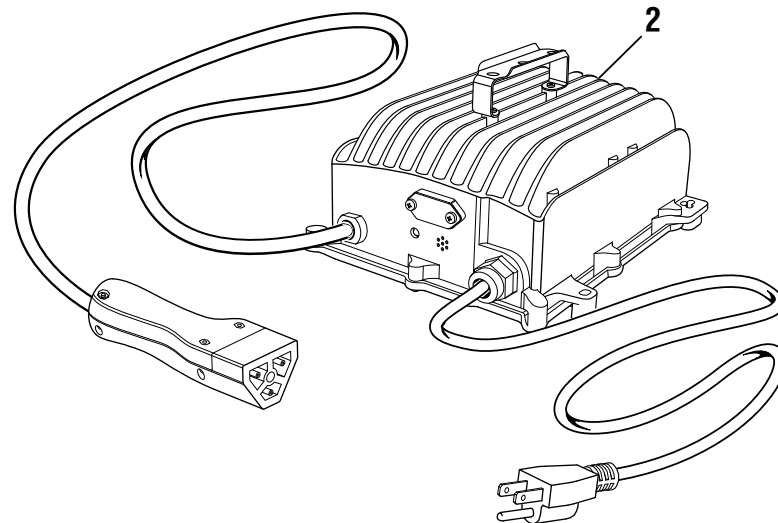
The model number will be found on a label under the seat. Always mention the model number in all correspondence regarding your **LAWN MOWER** or when ordering replacement parts.

**FIGURE M**

**CHARGER PORT ASSEMBLY**



KEY NO.	PART NUMBER	DESCRIPTION	QTY
1	996515001	Charger Receptacle 3 Pin With Thermistor .....	1
2	996514001	American Standand Charger .....	1
3	994989001	Screw (M6 x 16, Torx Hd.).....	4

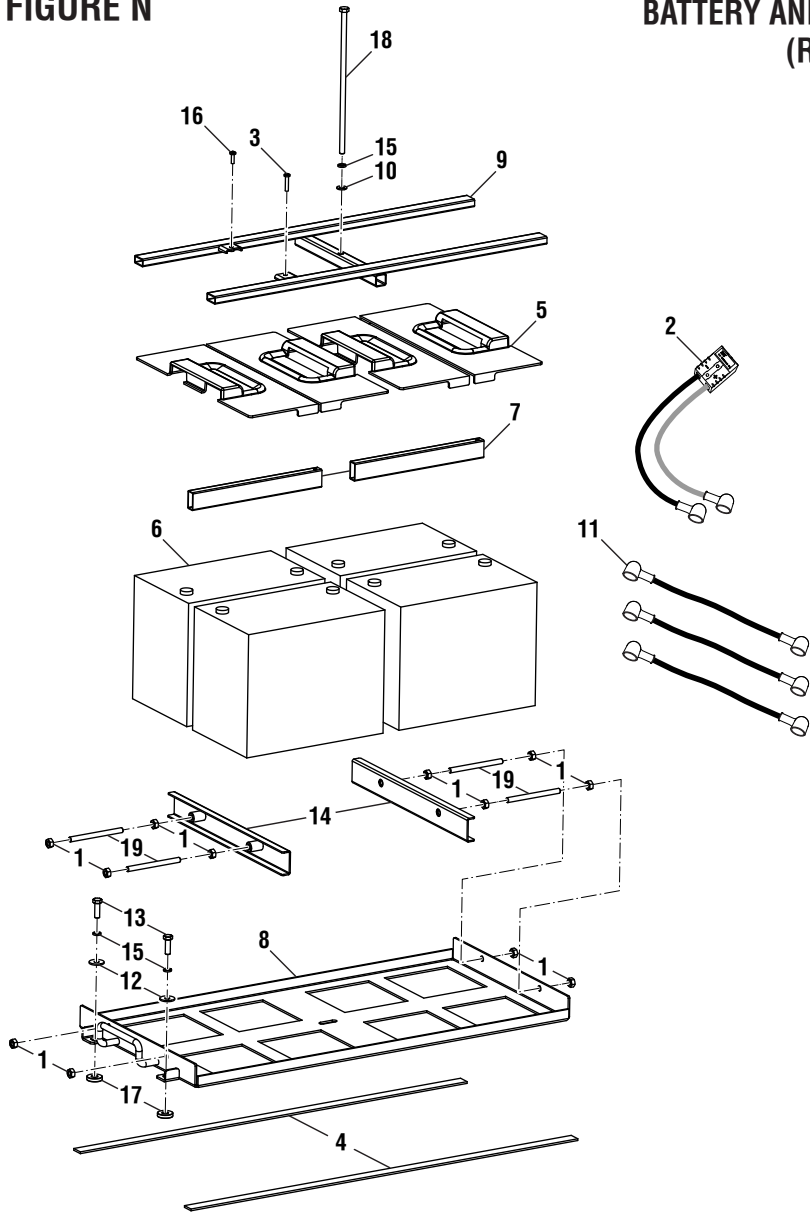


**48 V ELECTRIC ZERO TURN MOWER – MODEL NOS. RY48ZTR75, RY48ZTR100**

The model number will be found on a label under the seat. Always mention the model number in all correspondence regarding your **LAWN MOWER** or when ordering replacement parts.

**FIGURE N**

**BATTERY AND BATTERY TRAY ASSEMBLY  
(RY48ZTR75 ONLY)**



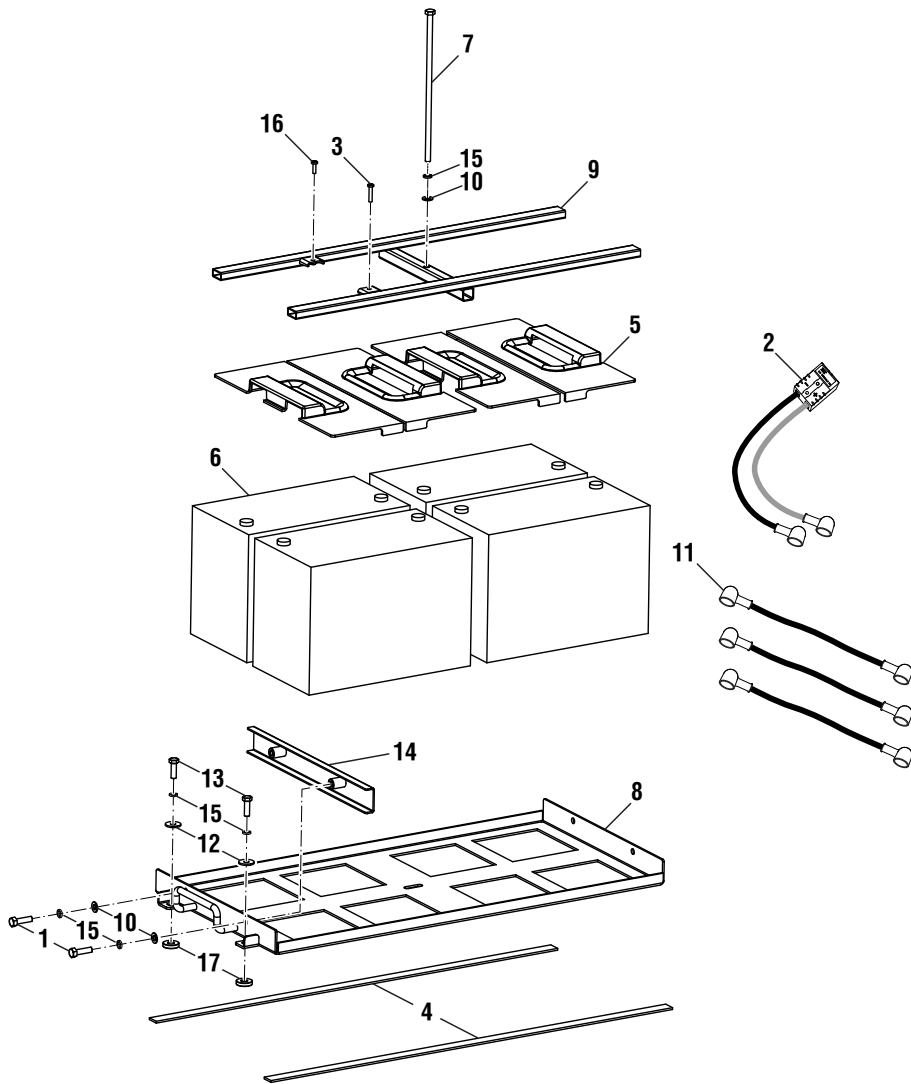
KEY NO.	PART NUMBER	DESCRIPTION	QTY
1	996346001	Hex Nut (M8).....	12
2	997102001	Battery Cable 2, ZTR .....	1
3	997133001	Screw (M5 x 25 mm).....	1
4	997049001	Battery Tray Slider.....	2
5	997092001	Battery Shield, ZTR.....	4
6	996269001	LPC12-75 Battery .....	4
7	996363001	Battery Limiter 2 .....	2
8	994923001	Battery Tray, Riding Mower.....	1
9	997050001	Battery Tie Down .....	1
10	994771001	Washer (M8).....	1
11	996272001	Battery Cable 1 .....	3
12	994827001	Washer (24 x 8) .....	2
13	996046001	Bolt (M8 x 25 mm).....	2
14	996351001	Battery Holder Bracket .....	2
15	994770001	Lock Washer (M8).....	3
16	996213001	Anchor Screw, Bungie, Riding Mower .....	1
17	996038001	Metal Bushing, Battery Tray.....	2
18	997096001	Hex Bolt (M8 x 240 mm) .....	1
19	996350001	Threaded Rod (M8 x 100 mm).....	4

**48 V ELECTRIC ZERO TURN MOWER – MODEL NOS. RY48ZTR75, RY48ZTR100**

The model number will be found on a label under the seat. Always mention the model number in all correspondence regarding your **LAWN MOWER** or when ordering replacement parts.

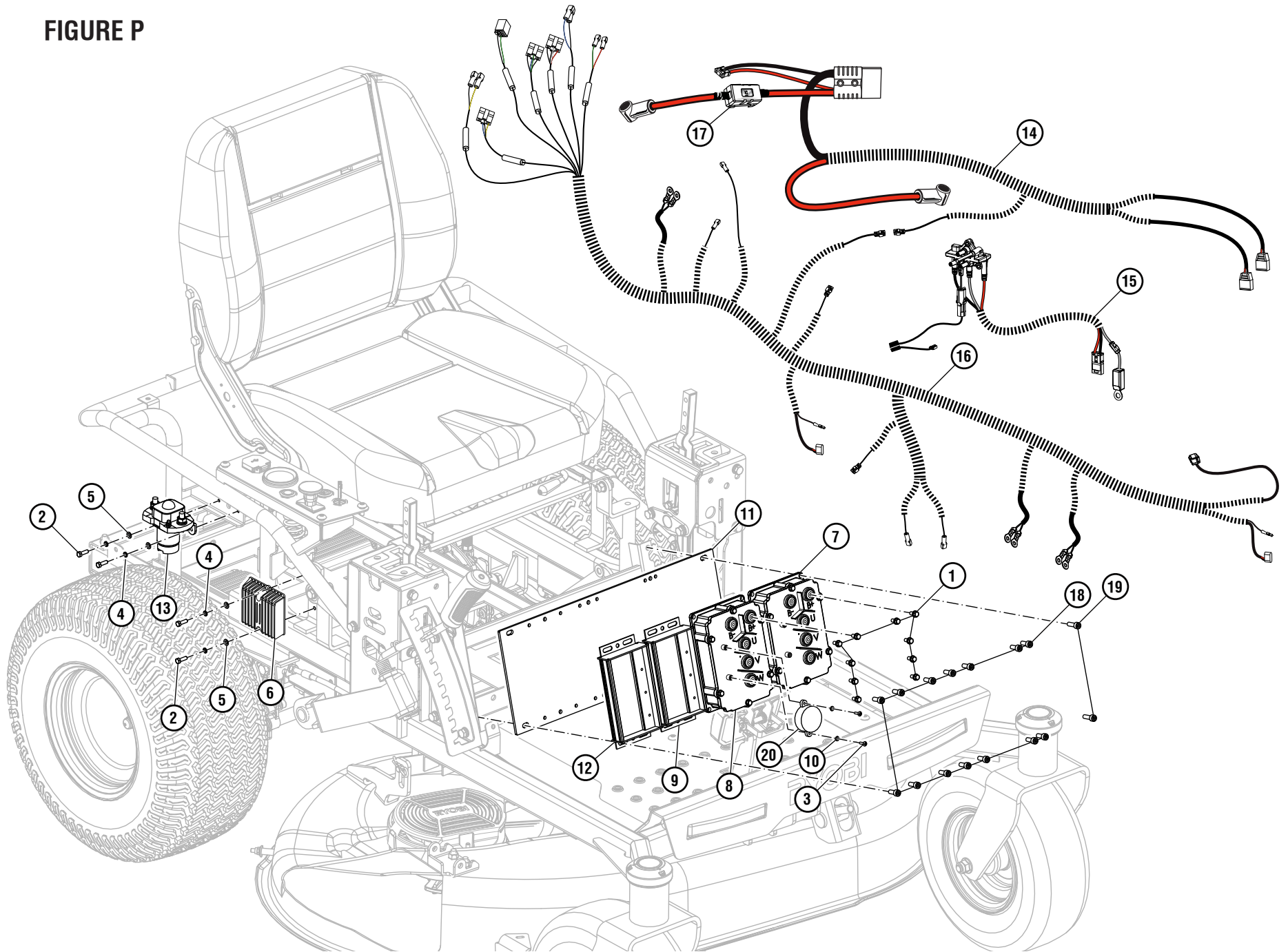
**FIGURE 0**

**BATTERY AND BATTERY TRAY ASSEMBLY  
(RY48ZTR100 ONLY)**



KEY NO.	PART NUMBER	DESCRIPTION	QTY
1	997142001	Bolt (M8 x 25 mm).....	2
2	997102001	Battery Cable 2, ZTR .....	1
3	997133001	Screw (M5 x 25 mm).....	1
4	997049001	Battery Tray Slider.....	2
5	997092001	Battery Shield, ZTR.....	4
6	996239001	LPC12-100 Battery .....	4
7	997096001	Hex Bolt (M8 x 240 mm) .....	1
8	994923001	Battery Tray, Riding Mower.....	1
9	997050001	Battery Tie Down .....	1
10	994771001	Washer (M8).....	3
11	996272001	Battery Cable 1 .....	3
12	994827001	Washer (24 x 8) .....	2
13	996046001	Bolt (M8 x 25 mm).....	2
14	996351001	Battery Holder Bracket .....	1
15	994770001	Lock Washer (M8).....	5
16	996213001	Anchor Screw, Bungee, Riding Mower .....	1
17	996038001	Metal Bushing, Battery Tray.....	2

FIGURE P



**48 V ELECTRIC ZERO TURN MOWER – MODEL NOS. RY48ZTR75, RY48ZTR100**

The model number will be found on a label under the seat. Always mention the model number in all correspondence regarding your **LAWN MOWER** or when ordering replacement parts.

**FIGURE P**

**ELECTRICAL ASSEMBLY**

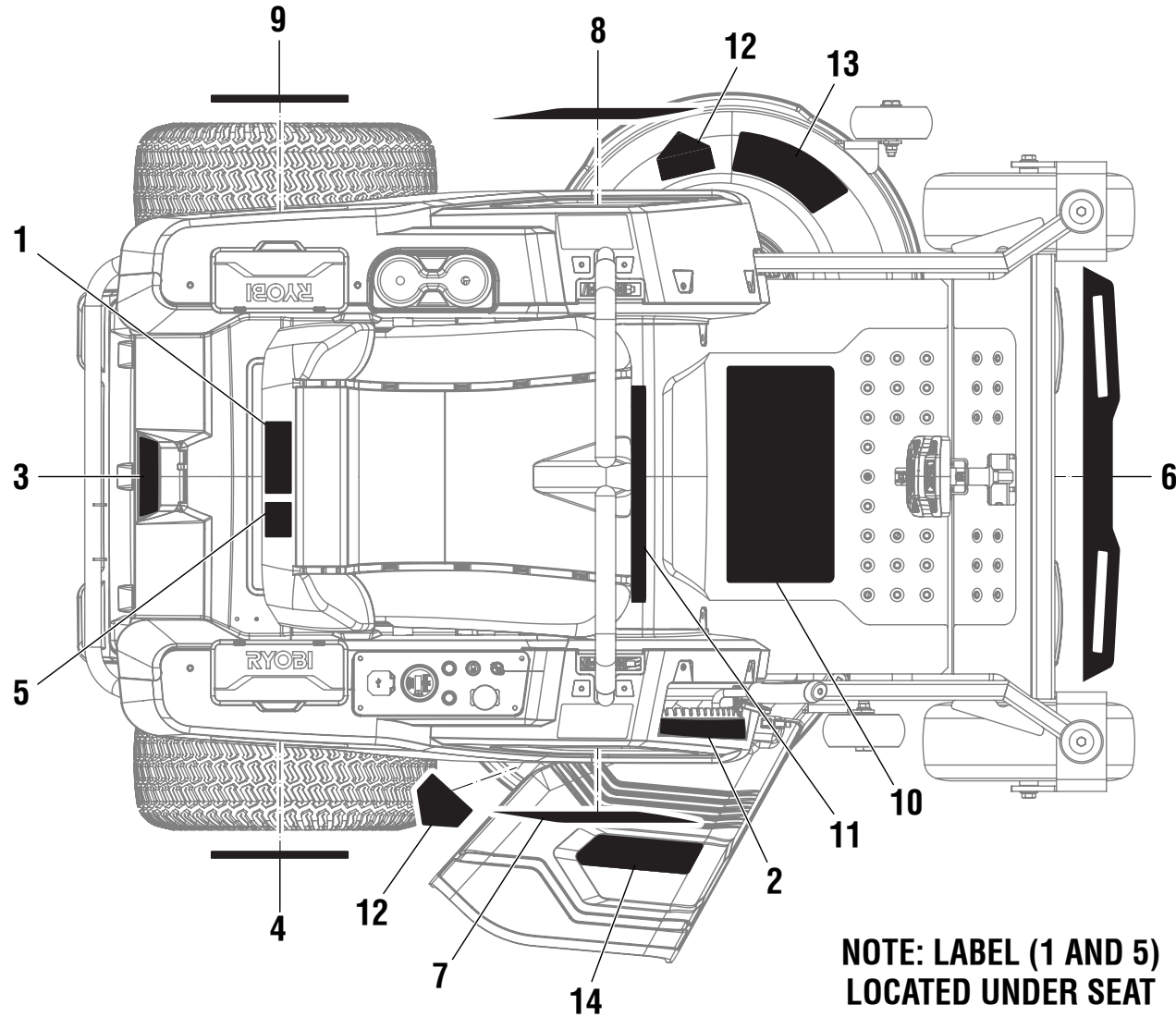
<b>KEY NO.</b>	<b>PART NUMBER</b>	<b>DESCRIPTION</b>	<b>QTY</b>
1	997137001	Hex Flange Bolt (M5 x 12 mm) .....	10
2	996565001	Bolt (M5 x 16 mm, Hex Hd.) .....	4
3	997094001	Screw (M3 x 12 mm, Pan Hd.).....	2
4	996286001	Lock Spring Washer (5 mm).....	4
5	996295001	Washer (5.3 x 12 x 1t) .....	4
6	997077001	DC to DC Converter, ZTR .....	1
7	997057001	Drive Motor Controller, Slave, ZTR .....	1
8	997056001	Drive Motor Controller, Master, ZTR .....	1
9	997058001	Deck Motor Controller, Master, ZTR .....	1
10	996035001	Flat Washer (M3) .....	2
11	997055001	Controller Mounting Plate .....	1
12	997059001	Deck Motor Controller, Slave, ZTR .....	1
13	994993001	Main Relay .....	1
14	997091001	Battery Output Cable.....	1
15	997103001	Charging Controller, ZTR .....	1
16	997090001	Main Wiring Harness.....	1
17	997147001	Fuse, 125 Amp.....	1
18	997098001	Screw (M6 x 16 mm, Soc. Hd.).....	14
19	997148001	Screw (M6 x 20 mm, Soc. Hd.).....	2
20	997149001	Beeper, ZTR .....	1

**48 V ELECTRIC ZERO TURN MOWER – MODEL NOS. RY48ZTR75, RY48ZTR100**

The model number will be found on a label under the seat. Always mention the model number in all correspondence regarding your **LAWN MOWER** or when ordering replacement parts.

**FIGURE Q**

**LABELS**



**48 V ELECTRIC ZERO TURN MOWER – MODEL NOS. RY48ZTR75, RY48ZTR100**

The model number will be found on a label under the seat. Always mention the model number in all correspondence regarding your **LAWN MOWER** or when ordering replacement parts.

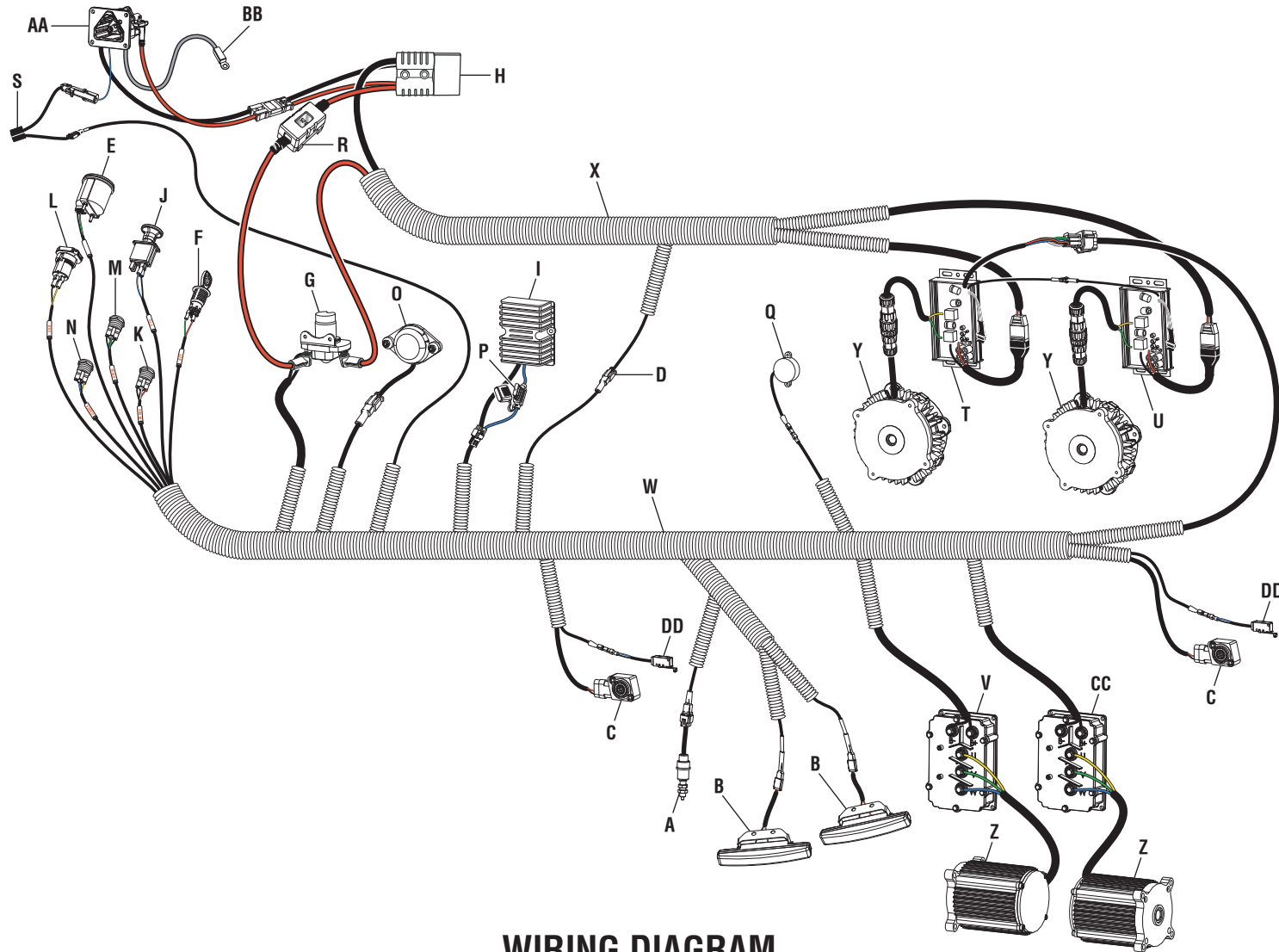
**FIGURE Q**

**LABELS**

<b>KEY NO.</b>	<b>PART NUMBER</b>	<b>DESCRIPTION</b>	<b>QTY</b>	<b>KEY NO.</b>	<b>PART NUMBER</b>	<b>DESCRIPTION</b>	<b>QTY</b>
1	099749015036	DATA LABEL (RY48ZTR75).....	1	8	099749015062	RYOBI LABEL, LEFT.....	1
	099749015046	DATA LABEL (RY48ZTR100).....	1	9	099749015063	SUBBRAND LABEL, LEFT (RY48ZTR75).....	1
2	099749015045	DECK LIFT LABEL.....	1		099749016002	SUBBRAND LABEL, LEFT (RY48ZTR100).....	1
3	099749015047	CHARGING PORT LABEL, ENGLISH.....	1	10	099749015064	FLOOR DANGER LABEL, ENGLISH.....	1
	099749015048	CHARGING PORT LABEL, SPANISH.....	1		099749015065	FLOOR DANGER LABEL, SPANISH.....	1
4	099749015039	SUBBRAND LABEL, RIGHT (RY48ZTR75).....	1	11	099749015068	INSTRUCTION LABEL, ENGLISH.....	1
	099749016001	SUBBRAND LABEL, RIGHT (RY48ZTR100).....	1		099749015069	INSTRUCTION LABEL, SPANISH.....	1
5	099749015049	RPL LABEL, ENGLISH.....	1	12	940851219	NO HANDS CPSC DANGER LABEL, ENGLISH....	2
	099749015050	RPL LABEL, SPANISH.....	1		940851226	NO HANDS CPSC DANGER LABEL, SPANISH....	2
6	099749015060	RYOBI LABEL, FRONT.....	1	13	940851207	DECK DANGER LABEL, ENGLISH.....	1
7	099749015061	RYOBI LOGO, RIGHT.....	1	14	940851208	DISCHARGE DANGER LABEL, ENGLISH.....	1
					940851228	DISCHARGE DANGER LABEL, SPANISH.....	1



48 V ELECTRIC ZERO TURN MOWER – MODEL NOS. RY48ZTR75, RY48ZTR100



**WIRING DIAGRAM**

A	Brake Switch	H	Battery Connector	O	Seat Switch	V	Master Drive Motor Controller	CC	Slave Drive Motor Controller
B	Headlights	I	12 Volt Power Converter	P	2 Amp Fuse	W	Main Wiring Harness	DD	Neutral Switch
C	Accelerator	J	Blade PTO	Q	Beeper	X	Battery Output Cable		
D	Ground	K	Blade Speed	R	125 Amp Fuse	Y	Deck Motor		
E	Battery Gauge	L	USB	S	Charger Lockout Circuit	Z	Drive Motor		
F	Switch w/Key	M	Drive Speed	T	Master Deck Motor Controller	AA	Charger Port		
G	Relay	N	Headlight Switch	U	Slave Deck Motor Controller	BB	Temperature Sensor		