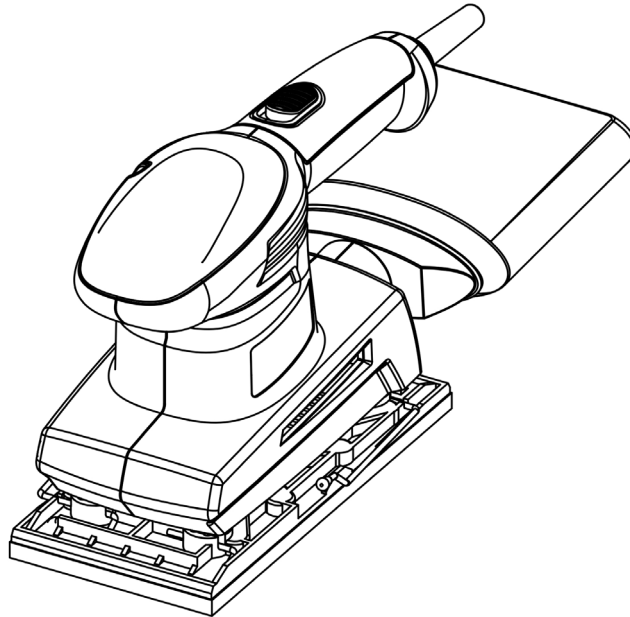




1/3 Sheet Sander



Model # 6313
bit.ly/wenvideo


IMPORTANT:

Your new tool has been engineered and manufactured to WEN's highest standards for easy operation, dependability and maximum user safety. When properly cared for, this product will supply rugged, trouble-free performance. Pay close attention to the rules for safe operation, warnings and cautions. If you use your tool properly and for its intended purpose, you will enjoy years of safe, reliable service.



NEED HELP? CONTACT US!

Have product questions? Need technical support?
Please feel free to contact us at:

 **800-232-1195** (M-F 8AM-5PM CST)

 techsupport@wenproducts.com

 WENPRODUCTS.COM

TABLE OF CONTENTS

Technical Data	2
General Safety Rules	3
Specific Safety Rules For The Sander	4
Electrical Information	6
Know Your Sander.....	7
Operating Instruction	7
Maintenance	9
Troubleshooting	10
Exploded View and Parts List	11
Warranty	13

TECHNICAL DATA

Model Number:	6313
Motor:	120 V, 60 Hz, 1.2 A
Speed:	12,000 RPM (no load)
Cord length:	6 feet
Size of sandpaper:	1/3 sheet
Weight:	3.0 lbs
Includes:	Dust Collection Bag

GENERAL SAFETY RULES

Safety is a combination of common sense, staying alert and knowing how your item works. **SAVE THESE SAFETY INSTRUCTIONS.**



WARNING: To avoid mistakes and serious injury, do not plug in your tool until the following steps have been read and understood.

1. **READ** and become familiar with this entire instruction manual. **LEARN** the tool's applications, limitations, and possible hazards.
2. **AVOID DANGEROUS CONDITIONS.** Do not use power tools in wet or damp areas or expose them to rain. Keep work areas well lit.
3. **DO NOT** use power tools in the presence of flammable liquids or gases.
4. **ALWAYS** keep your work area clean, uncluttered, and well lit. **DO NOT** work on floor surfaces that are slippery with sawdust or wax.
5. **KEEP BYSTANDERS AT A SAFE DISTANCE** from the work area, especially when the tool is operating. **NEVER** allow children or pets near the tool.
6. **DO NOT FORCE THE TOOL** to do a job for which it was not designed.
7. **DRESS FOR SAFETY.** Do not wear loose clothing, gloves, neckties, or jewelry (rings, watches, etc.) when operating the tool. Inappropriate clothing and items can get caught in moving parts and draw you in. **ALWAYS** wear non-slip footwear and tie back long hair.
8. **WEAR A FACE MASK OR DUST MASK** to fight the dust produced by sawing operations.



WARNING: Dust generated from certain materials can be hazardous to your health. Always operate the tool in a well-ventilated area and provide for proper dust removal. Use dust collection systems whenever possible.

9. **ALWAYS** remove the power cord plug from the electrical outlet when making adjustments, changing parts, cleaning, or working on the tool.
10. **KEEP GUARDS IN PLACE AND IN WORKING ORDER.**
11. **AVOID ACCIDENTAL START-UPS.** Make sure the power switch is in the **OFF** position before plugging in the power cord.
12. **REMOVE ADJUSTMENT TOOLS.** Always make sure all adjustment tools are removed from the saw before turning it on.
13. **NEVER LEAVE A RUNNING TOOL UNATTENDED.** Turn the power switch to **OFF**. Do not leave the tool until it has come to a complete stop.

GENERAL SAFETY RULES

14. **NEVER STAND ON A TOOL.** Serious injury could result if the tool tips or is accidentally hit. **DO NOT** store anything above or near the tool.
15. **DO NOT OVERREACH.** Keep proper footing and balance at all times. Wear oil-resistant rubber-soled footwear. Keep the floor clear of oil, scrap, and other debris.
16. **MAINTAIN TOOLS PROPERLY. ALWAYS** keep tools clean and in good working order. Follow instructions for lubricating and changing accessories.
17. **CHECK FOR DAMAGED PARTS.** Check for alignment of moving parts, jamming, breakage, improper mounting, or any other conditions that may affect the tool's operation. Any part that is damaged should be properly repaired or replaced before use.
18. **MAKE THE WORKSHOP CHILDPROOF.** Use padlocks and master switches and **ALWAYS** remove starter keys.
19. **DO NOT** operate the tool if you are under the influence of drugs, alcohol, or medication that may affect your ability to properly use the tool.
20. **USE SAFETY GOGGLES AT ALL TIMES** that comply with ANSI Z87.1. Normal safety glasses only have impact resistant lenses and are not designed for safety. Wear a face or dust mask when working in a dusty environment. Use ear protection such as plugs or muffs during extended periods of operation.

SPECIFIC RULES FOR THE SANDER



WARNING: Do not operate this tool until it is completely assembled and installed according to the instructions.

1. Hold your power tool by the insulated gripping surfaces, especially when performing an operation where the sanding accessory could contact hidden wiring.
2. Protect your lungs. Wear a face or dust mask during operation. Following this rule will reduce the risk of serious respiratory injury.
3. Protect your hearing. Wear hearing protection during extended periods of operation. Following this rule will reduce the risk of serious personal injury.
4. Inspect power cords periodically and repair them as needed at your nearest authorized service center. Constantly stay aware of cord location. Following this rule will reduce the risk of electric shock or fire.
5. Check damaged parts. Before further use of the tool, determine that it will operate properly and perform its intended function. Check for alignment, binding or breakage of moving parts or any other conditions that may affect its operation. A guard or other part that is damaged should be properly repaired or replaced by an authorized service center. Following this rule will reduce the risk of shock, fire, or serious injury.
6. Remove all nails from lumber before using this tool. Following this rule will reduce the risk of injury.

SPECIFIC RULES FOR THE SANDER

6. If the power cord is damaged, it must be replaced only by the manufacturer or by an authorized service center.
7. Save these instructions. Refer to them frequently and use them to instruct others who may use this product. If you loan someone this product, loan them these instructions also.
8. Do not use the sander to remove lead-based paints.



WARNING: This product and the dust created by power sanding, sawing, grinding, drilling, and other construction activities may contain chemicals, including lead, known to the State of California to cause cancer, birth defects, or other reproductive harm. Wash hands after handling.

Some examples of these chemicals are:

- lead from lead-based paints
- crystalline silica from bricks and cement and other masonry products
- arsenic and chromium from chemically treated lumber.

Your risk from exposure to these chemicals varies, depending on how often you do this type of work. To reduce your exposure, work in a well-ventilated area and with approved safety equipment, such as dust masks that are specially designed to filter out microscopic particles.

Vibration safety

This tool vibrates during use. Repeated or long-term exposure to vibration may cause temporary or permanent physical injury, particularly to the hands, arms and shoulders.

To reduce the risk of any vibration-related injury:

1. First be examined by a doctor and then have regular medical check-ups to ensure medical problems are not being caused or worsened from use. Pregnant women or people who have impaired blood circulation to the hand, past hand injuries, nervous system disorders, diabetes, or Raynaud's Disease should not use this tool. If you feel any symptoms related to vibration (such as tingling, numbness, and white or blue fingers), seek medical advice as soon as possible.
2. Do not smoke during use. Nicotine reduces the blood supply to the hands and fingers, increasing the risk of vibration-related injury.
3. Wear suitable gloves to reduce the vibration effects on the user.
4. Use tools with the lowest vibration when there is a choice.
5. Take vibration-free breaks during each day of work.
6. Grip tool as lightly as possible (while still keeping safe control of it). Let the tool do the work.
7. To reduce vibration, maintain the tool as explained in this manual. If any abnormal vibration occurs, stop use immediately.

ELECTRICAL INFORMATION

DOUBLE INSULATION

Double insulation is a concept in safety in electric power tools, which eliminates the need for the usual three-wire grounded power cord. All exposed metal parts are isolated from the internal metal motor components with protecting insulation. Double insulated tools do not need to be grounded.

WARNING: The double insulated system is intended to protect the user from shock resulting from a break in the tool's internal insulation. Observe all normal safety precautions to avoid electrical shock.

NOTE: Servicing of a product with double insulation requires extreme care and knowledge of the system and should be performed only by a qualified service technician. For service, we suggest you return the product to your nearest authorized service center for repair. Always use original factory replacement parts when servicing.

ELECTRICAL CONNECTION

This product has a precision-built electric motor. It should be connected to a power supply that is 120 volts, AC only (normal household current), 60 Hz. Do not operate this product on direct current (DC). A substantial voltage drop will cause a loss of power and the motor will overheat. If the product does not operate when plugged into an outlet, double-check the power supply.



WARNING: This tool is for indoor use only. Do not expose to rain or use in damp locations.

GUIDELINES FOR USING EXTENSION CORDS

Make sure your extension cord is in good condition. When using an extension cord, be sure to use one heavy enough to carry the current your product will draw. An undersized cord will cause a drop in line voltage resulting in loss of power and overheating. The table below shows the correct size to be used according to cord length and nameplate ampere rating. When in doubt, use a heavier cord. The smaller the gauge number, the heavier the cord.

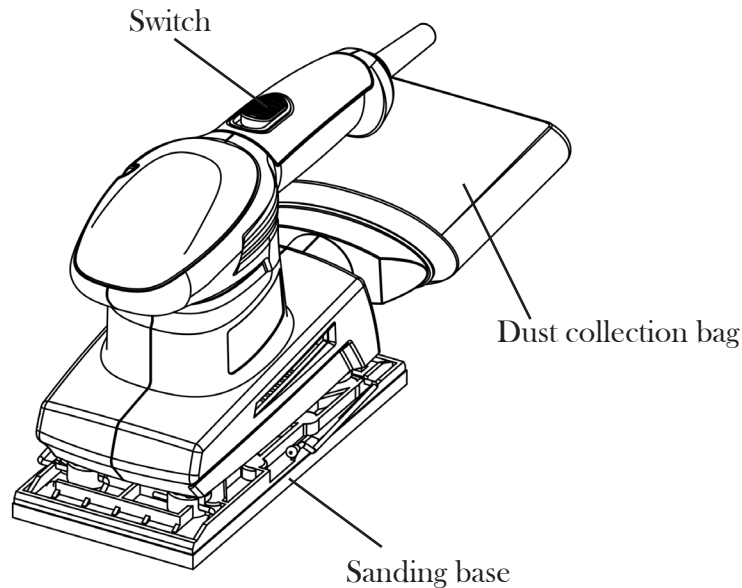
AMPERAGE	REQUIRED GAUGE FOR EXTENSION CORDS			
	25 ft.	50 ft.	100 ft.	150 ft.
1.2 A	18 gauge	16 gauge	16 gauge	14 gauge

Make sure your extension cord is properly wired and in good condition. Always replace a damaged extension cord or have it repaired by a qualified person before using it.

Protect your extension cords from sharp objects, excessive heat and damp/wet areas.

Use a separate electrical circuit for your tools. This circuit must not be less than a #12 wire and should be protected with a 15 A time-delayed fuse. Before connecting the motor to the power line, make sure the switch is in the OFF position and the electric current is rated the same as the current stamped on the motor nameplate. Running at a lower voltage will damage the motor.

KNOW YOUR SANDER



OPERATING INSTRUCTIONS

TOOL SET UP

WARNING: To avoid injury from accidental startups, turn switch OFF and remove the plug from the power source outlet before making any adjustments.

INSTALLING NON-HOOK AND LOOP SANDPAPER

1. Unplug the sander.
2. Inspect the sandpaper before installing; do not use if broken or defective.
3. To remove paper, release paper clamp by lifting up on lever, and disengaging it from the tab on the sanding base. Remove old sandpaper before replacing with new sandpaper.
4. Insert end of new 1/3 sheet sandpaper approximately 1/2 in. under the paper clamp. NOTE: 1/2 in. clamping of sandpaper is necessary for multi-sheet stacking of paper.
5. Lift up on paper clamp lever and lock into place. Apply downward pressure to conform sandpaper to sanding base.
6. Wrap sandpaper around cushion. Lift lever on opposite end of sander and insert loose end of sandpaper under the paper clamp. Fit sandpaper against cushion tightly.
7. Lift up on the lever and lock into place.



CAUTION: Do not use torn or severely worn or damaged sandpaper. To do so could damage the surface of the sanding base.

OPERATING INSTRUCTIONS

INSTALLING HOOK AND LOOP SANDPAPER

1. Before installing sandpaper, make sure the hook and loop fastener base is free of dust and dirt and that the sander is unplugged with the ON/OFF switch in the OFF position.
2. The sanding base will hold any hook and loop sandpaper without clamps or glue. Simply line up the sandpaper with the hook and loop fastener base and press together, making sure front edge of the sandpaper is aligned with the front edge of the hook and loop fastener base.
3. To remove used sandpaper, peel one edge away from the hook and loop fastener base until the whole sheet is free.

CAUTION: Do not use torn or severely worn or damaged sandpaper. To do so could damage the surface of the sanding base.

WORKPIECE AND WORK AREA SET UP

1. Designate a work area that is clean and well-lit. Keep children, pets and other distractions from the work place to prevent possible injury.
2. Run the power cord along a safe route to reach the work area without creating a tripping hazard or exposing the power cord to possible damage. The power cord must reach the work area with enough extra length to allow free movement while working.
3. Secure loose workpieces using a vise or clamps (not included) to prevent movement while working.
4. There must not be objects nearby that will present a hazard while working (such as utility lines).

GENERAL OPERATING INSTRUCTIONS

1. Make sure that the power switch is in the off position, then plug in the tool.
2. Turn the switch ON.
3. Do not use excess pressure while sanding and always sand in same direction as grain of wood. Let the sandpaper do the work. Apply even pressure over entire workpiece.
4. Check the wear on the sandpaper at regular intervals and replace as necessary. **NOTE:** Always turn the power switch OFF and unplug the sander before changing sheets of sandpaper.
5. When sanding is completed, remove the sander from the workpiece and turn off the power switch.
6. When completely finished using the sander, use a vacuum to dislodge all sand shavings and dust, wipe with clean, soft cloth.
7. To prevent accidents, turn off the sander and unplug it after use. Clean, then store the sander indoors out of children's reach.

SANDPAPER SELECTION

Choosing the right size, grit and type of sandpaper maximizes the quality of your sanded finish. Aluminum oxide, silicon carbide, and other synthetic abrasives are best for power sanding as natural abrasives, such as flint and garnet, are too soft for economical use in power sanding.

In general, coarse grit will remove the most material and finer grit will produce the best finish in all sanding operations. The condition of the surface to be sanded will determine the right grit for the job. If the surface is rough, start with a coarse grit and sand until the surface is uniform. Medium grit may then be used to remove the scratches left by the coarser grit while a finer grit can be used for finishing. Always continue sanding with each grit until surface is uniform.

NOTE: DO NOT use sander without sandpaper. Doing so will damage the sanding base.

MAINTENANCE



TO PREVENT SERIOUS INJURY FROM ACCIDENTAL OPERATION:

Make sure that the trigger is in the “O” off-position and unplug the tool from its electrical outlet before performing any procedure in this section.



TO PREVENT SERIOUS INJURY FROM TOOL FAILURE:

Do not use damaged equipment. If abnormal noise or vibration occurs, have the problem corrected before further use.

BEFORE EACH USE, inspect the general condition of the tool. Check for:

- loose hardware,
- misalignment or binding of moving parts,
- damaged cord/electrical wiring,
- cracked or broken parts, and
- any other condition that may affect its safe operation.

AFTER USE, wipe external surfaces of the tool with clean cloth.

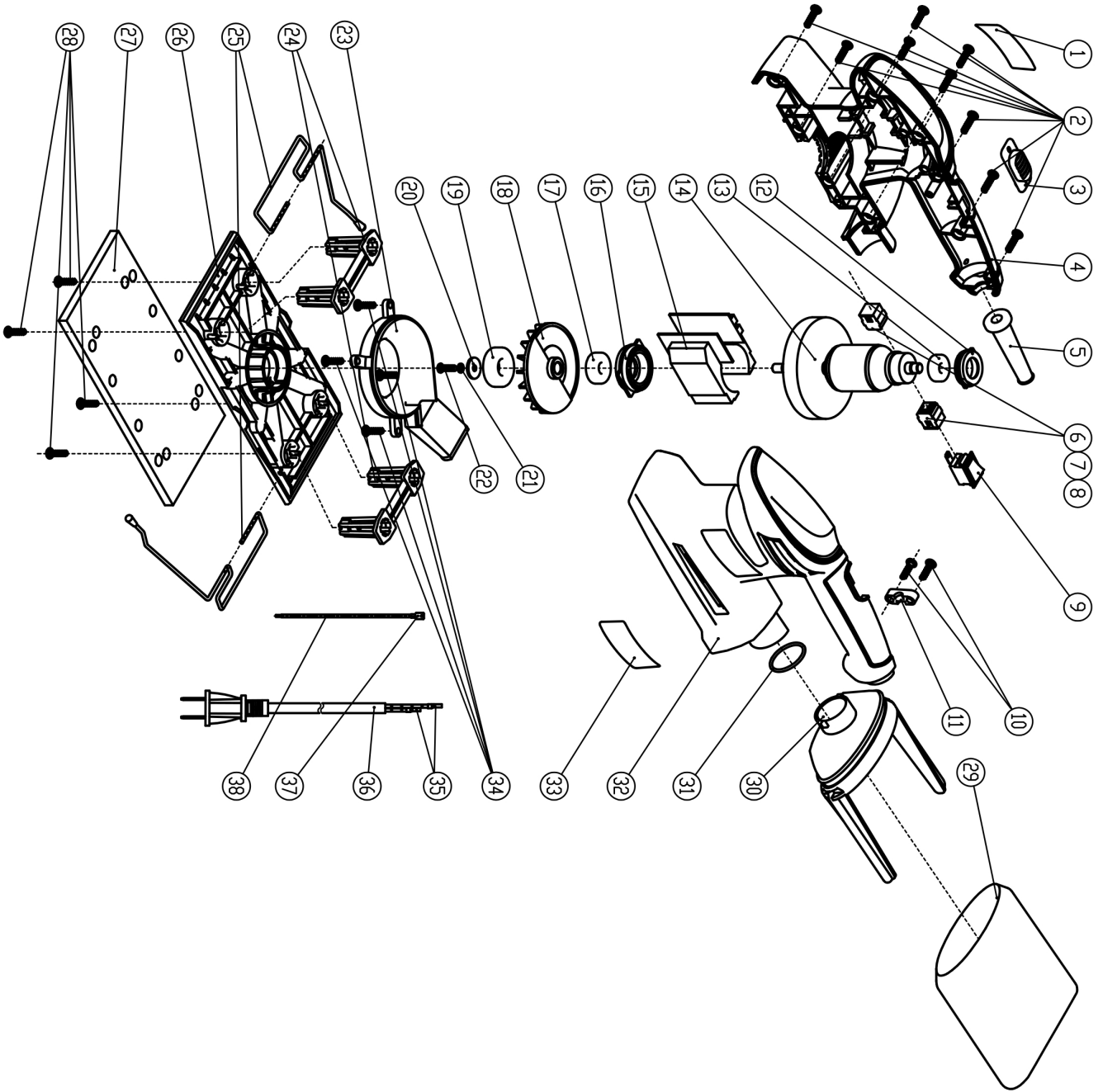


WARNING! If the supply cord of this power tool is damaged, it must be replaced only by a qualified service technician.

TROUBLESHOOTING

Problem	Causes	Solutions
Tool will not start.	1. Power cord not connected. 2. No power at outlet. 3. Internal damaged or wear.	1. Check the power cord is plugged in. 2. If outlet is unpowered, turn off tool and check circuit breaker. 3. Have technician service the tool.
Excessive noise or rattling.	Internal damage or wear.	Have technician service the tool.
Sander not sanding effectively.	1. Possible sandpaper problem. 2. Possibly wrong grit of sandpaper	1. Check sandpaper for wear and or damage. 2. Fine sandpaper is graden in large numbers (100 to 600). Coarse sandpaper small numbers (36 to 80).

EXPLODED VIEW AND PARTS LIST



EXPLODED VIEW AND PARTS LIST

Item	Stock #	Description
1	6313-001	Label
2	6313-002	Screw
3	6313-003	Switch button
4	6313-004	Right housing
5	6313-005	Sleeve
6	6313-006	Brush box
7	6313-007	Brush holder
8	6313-008	Carbon brush
9	6313-009	Switch
10	6313-010	Screw
11	6313-011	Cable clip
12	6313-012	Bearing holder
13	6313-013	Bearing
14	6313-014	Rotor
15	6313-015	Stator
16	6313-016	Bearing holder
17	6313-017	bearing
18	6313-018	Eccentric fan
19	6313-019	Bearing
20	6313-020	Washer

Item	Stock #	Description
21	6313-021	Spring washer
22	6313-022	Screw
23	6313-023	Dust track
24	6313-024	Support frame
25	6313-025	Paper clamp
26	6313-026	Base plate
27	6313-027	Foam
28	6313-028	Screw
29	6313-029	Dust bag
30	6313-030	Dust bag support
31	6313-031	O-ring
32	6313-032	Left housing
33	6313-033	Label
34	6313-034	Screw
35	6313-035	Insert hooking
36	6313-036	Power cord
37	6313-037	Insert sheet
38	6313-038	Inner wire

LIMITED ONE YEAR WARRANTY

WEN Products is committed to building tools that are dependable for years. Our warranties are consistent with this commitment and our dedication to quality.

LIMITED WARRANTY OF WEN CONSUMER POWER TOOLS PRODUCTS FOR HOME USE

GREAT LAKES TECHNOLOGIES, LLC (“Seller”) warrants to the original purchaser only, that all WEN consumer power tools will be free from defects in material or workmanship for a period of ONE (1) year from date of purchase. Ninety days for all WEN products, if the tool is used for professional use.

SELLER’S SOLE OBLIGATION AND YOUR EXCLUSIVE REMEDY under this Limited Warranty and, to the extent permitted by law, any warranty or condition implied by law, shall be the repair or replacement of parts, without charge, which are defective in material or workmanship and which have not been misused, carelessly handled, or misrepaired by persons other than Seller or Authorized Service Center. To make a claim under this Limited Warranty, you must return the complete power tool product; transportation prepaid, to Great Lakes Technologies, LLC - 1675 Holmes Road - Elgin, IL. 60123 with a copy of the original receipt which is legible and clearly defines Date of Purchase including month and year and Place of Purchase.

THIS LIMITED WARRANTY DOES NOT APPLY TO ACCESSORY ITEMS SUCH AS CIRCULAR SAW BLADES, DRILL BITS, ROUTER BITS, JIGSAW BLADES, SANDING BELTS, GRINDING WHEELS AND OTHER RELATED ITEMS.

ANY IMPLIED WARRANTIES SHALL BE LIMITED IN DURATION TO ONE (1) YEAR FROM DATE OF PURCHASE. SOME STATES IN THE U.S., SOME CANADIAN PROVINCES DO NOT ALLOW LIMITATIONS ON HOW LONG AN IMPLIED WARRANTY LASTS, SO THE ABOVE LIMITATION MAY NOT APPLY TO YOU.

IN NO EVENT SHALL SELLER BE LIABLE FOR ANY INCIDENTAL OR CONSEQUENTIAL DAMAGES (INCLUDING BUT NOT LIMITED TO LIABILITY FOR LOSS OF PROFITS) ARISING FROM THE SALE OR USE OF THIS PRODUCT. SOME STATES IN THE U.S. AND SOME CANADIAN PROVINCES DO NOT ALLOW THE EXCLUSION OR LIMITATION OF INCIDENTAL OR CONSEQUENTIAL DAMAGES, SO THE ABOVE LIMITATION OR EXCLUSION MAY NOT APPLY TO YOU.

THIS LIMITED WARRANTY GIVES YOU SPECIFIC LEGAL RIGHTS, AND YOU MAY ALSO HAVE OTHER RIGHTS WHICH VARY FROM STATE TO STATE IN THE U.S., PROVINCE TO PROVINCE IN CANADA AND FROM COUNTRY TO COUNTRY.

THIS LIMITED WARRANTY APPLIES ONLY TO PORTABLE ELECTRIC TOOLS, BENCH POWER TOOLS, OUTDOOR POWER EQUIPMENT AND PNEUMATIC TOOLS SOLD WITHIN THE UNITED STATES OF AMERICA, CANADA AND THE COMMONWEALTH OF PUERTO RICO. FOR WARRANTY COVERAGE WITHIN OTHER COUNTRIES, CONTACT THE WEN CUSTOMER SUPPORT LINE.