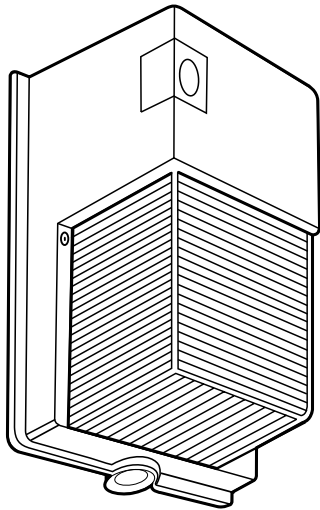


INSTALLATION INSTRUCTIONS

Upon receipt of fixture and accessories (packed separately) thoroughly inspect for any freight damage which should be brought to the attention of the delivery carrier. Compare the catalog description listed on the packing slip with the fixture label on the inside of the housing to be sure that you have received the correct merchandise.

TWS Series



IMPORTANT SAFETY INSTRUCTIONS

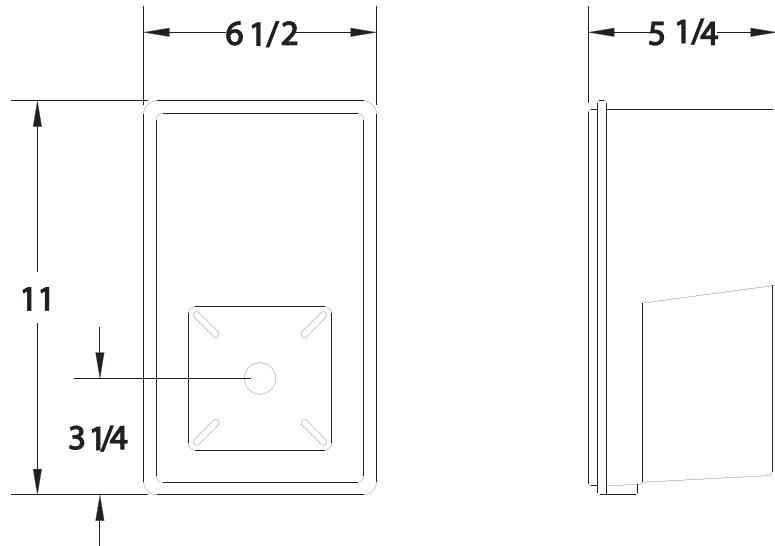
(For Your Protection, Read Carefully)

- This fixture must be wired in accordance with the National Electrical Code and applicable local codes and ordinances.
- Proper grounding is required to ensure personal safety. Be certain green lead from fixture is connected to supply ground.
- Use approved connectors for all electrical connections.
- ALL work should be done by a qualified electrician.
- **WARNING:** NEVER disconnect any component while power supply is engaged.

Prior to Installation

Read carefully before installing light fixtures. If you do not understand these instructions, please contact your local Lithonia Lighting distributor before installing.

INSTALLATION



MOUNTING:

1. Remove front housing by loosening two screws. Remove lamp (if provided) from fixture.
2. Remove reflector by loosening two screws enough to allow reflector to slide upward. Once the two screws slide into the keyhole slots, the reflector will release from the fixture housing. Remove reflector.
3. Knock out or drill holes in the rear housing for mounting to the wall and attachment to the outlet box.
4. Attach square gasket to the back surface by applying silicone sealant around the back plate.
5. Mount fixture to the wall with two screws (provided by others).
6. Attach fixture to outlet box with screws of the proper size for your box (provided by others).

WIRING:

1. Connect the black fixture wire to black supply wire
2. Connect the white fixture wire to white supply wire.
3. Connect the outlet box ground wire under the head of the green ground screw.

REFLECTOR / LAMP/ FRONT COVER INSTALLATION

1. Reinstall the reflector and tighten screws.
2. Model TWS 35S 120 PE LPI-Install only a 35 watt H.P.S. type S76 lamp(provided)
Model TWS 50S 120 PE LPI-Install only a 50 watt H.P.S. type S68 lamp(provided)
Model TWS 70S 120 PE LPI-Install only a 70 watt H.P.S. type S62 lamp(provided)
Model TWS 50M 120 PE LPI-Install only a 50 watt Metal Halide type M110 lamp(provided)
Model TWS 13TT 120 PE LPI-Install only 13 watt twin tube compact fluorescent lamp(provided)
Model TWS 26/42TRT MVOLT L/LP and TWS 26/42TRT 120 PE L/LP-Install either a 26, 32 or 42 watt triple tube compact fluorescent lamp(provided by others).
3. Reinstall the front cover by tightening the two screws.

WARNING: NEVER perform maintenance or cleaning while fixture is energized.

CAUTION: Observe lamp manufacturer's recommendations and restrictions on lamp operation, particularly ballast types, burning position, etc. The photoelectric control kit, PE, provided is for 120V only.

MAINTENANCE: Your Lithonia Lighting fixture is designed for years of trouble-free operation. For optimum performance, periodically clean the reflector and lens with a nonabrasive cleaner.

TROUBLESHOOTING: If this fixture fails to operate properly, check to make sure:

- The correct lamp is properly installed.
- The fixture is wired correctly.
- The lamp is not faulty.
- The fixture is grounded correctly.
- The line voltage at the fixture is correct.
- The photocell is of proper voltage and wattage.
- There is no light reflected back into the photocell causing the fixture to turn off.

If all these variables have been checked and the fixture still does not operate properly, contact your local Lithonia Lighting distributor.