

# BARNDOOR

HARDWARE



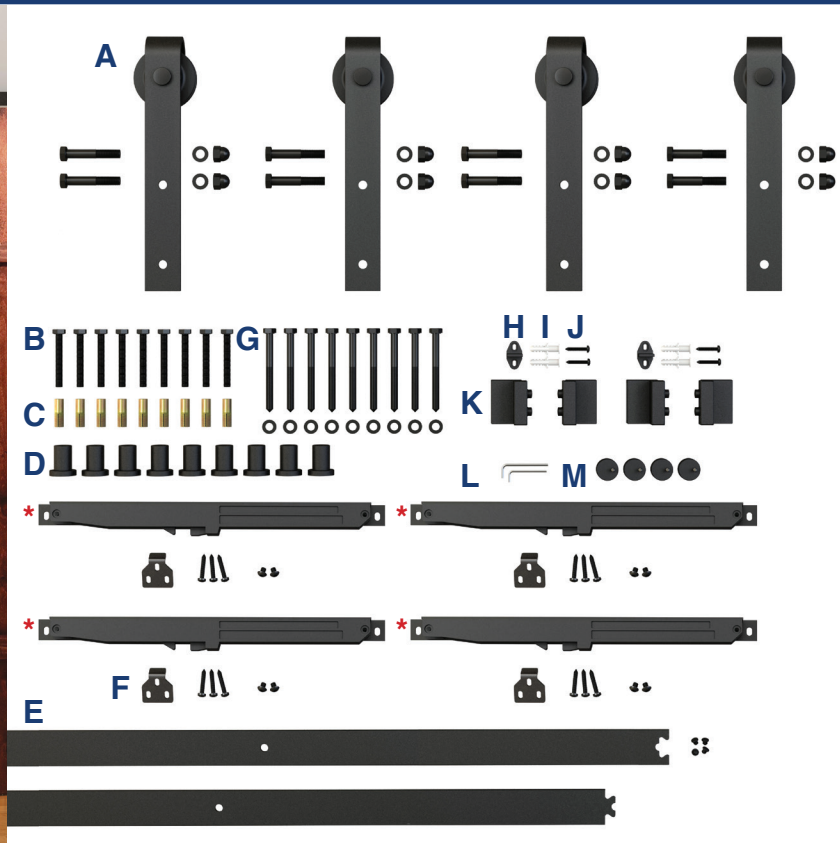
# HARDWARE KIT

FOR SLIDING DOUBLE WOOD DOORS



MODEL No. 5APD10756

## INSTALLATION MANUAL



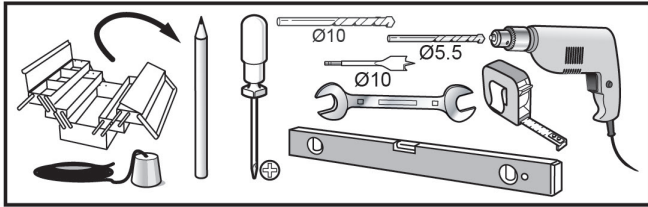
### INCLUDED IN KIT

|          |                      |    |          |                      |    |          |                  |    |
|----------|----------------------|----|----------|----------------------|----|----------|------------------|----|
| <b>A</b> | Door Roller Hardware | x4 | <b>F</b> | Soft Close Trigger   | x4 | <b>K</b> | Door Stop        | x4 |
| <b>B</b> | M8x60 Bolt           | x9 | <b>G</b> | ST8x90 Bolt + Washer | x9 | <b>L</b> | 2.5mm Allen Keys | x1 |
| <b>C</b> | M8x30 Wall Anchor    | x9 | <b>H</b> | Routed Floor Guide   | x2 | <b>M</b> | Anti-Jump Desk   | x4 |
| <b>D</b> | Wall Bracket         | x9 | <b>I</b> | Floor Anchor         | x4 |          |                  |    |
| <b>E</b> | 68-7/8" Rail*        | x2 | <b>J</b> | ST4.2x25 Screw       | x4 |          |                  |    |

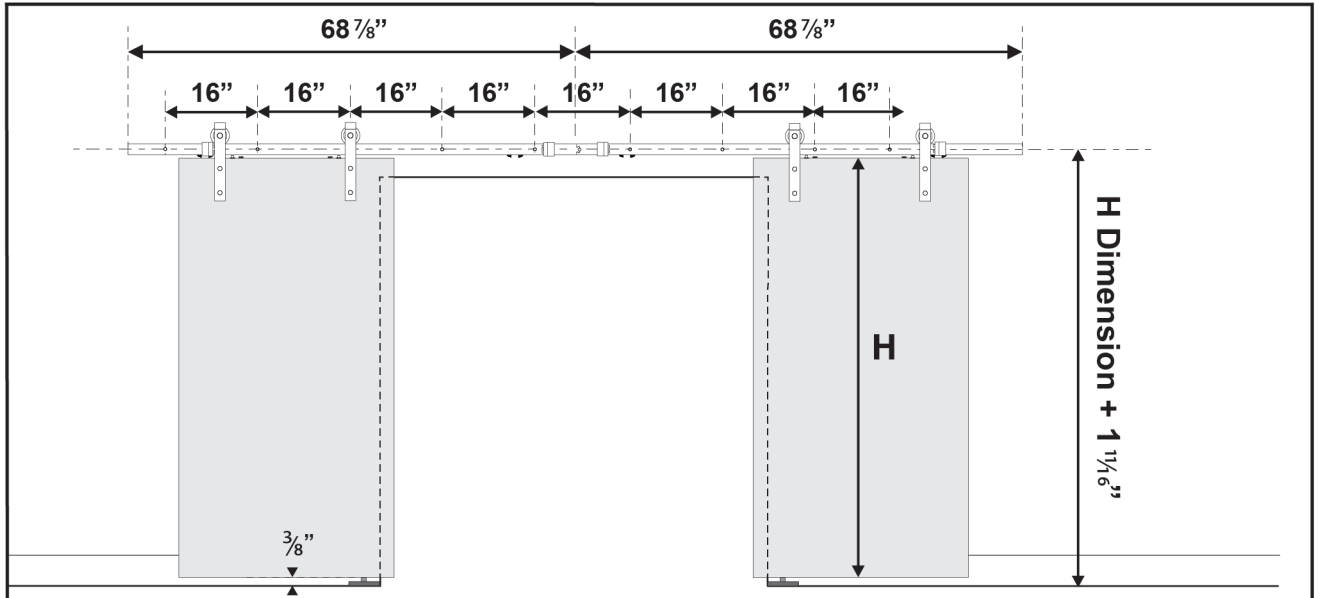
\* Soft Closing Mechanisms are pre-attached to rail.

American Pro Decor assumes no liability for improper installation.

## TOOLS REQUIRED



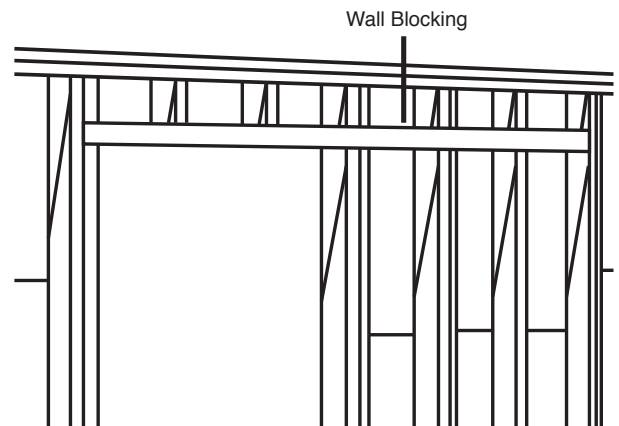
- Plumb Line
- Wrench
- Pencil
- Phillips Head Screwdriver
- 10mm Drill Bit
- 5.5mm Drill Bit
- 10mm Routing Drill Bit
- Level
- Tape Measure
- Power Drill

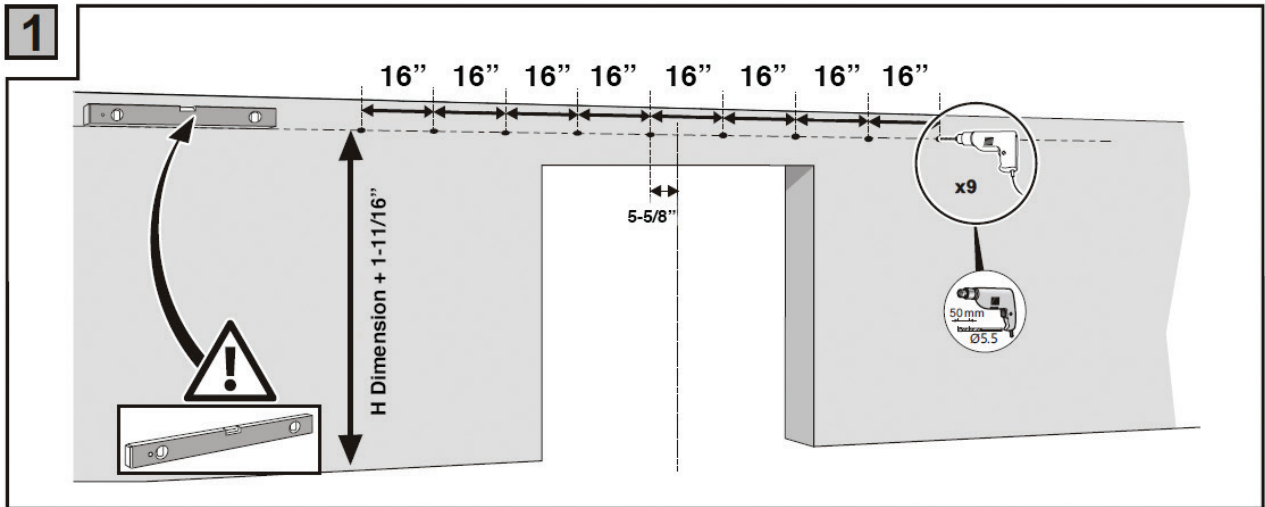


## NOTES

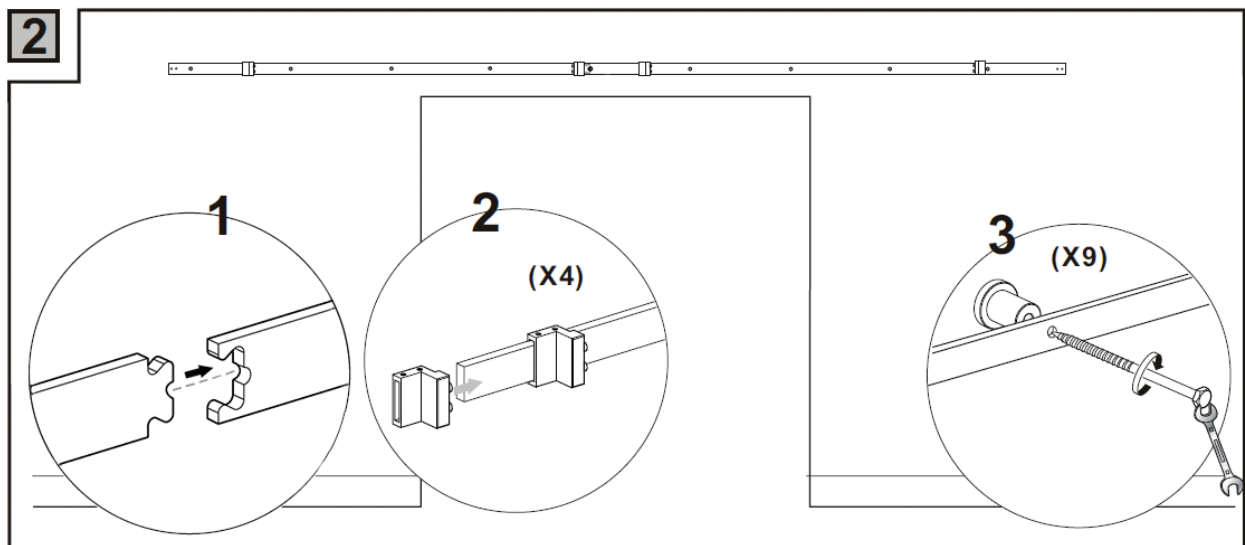
To obtain maximum weight capacity, all fasteners must be mounted into solid wood studs or wall blocking or mounted to a header board.

Consult a structural engineer if you have questions about what type of wall blocking is required.

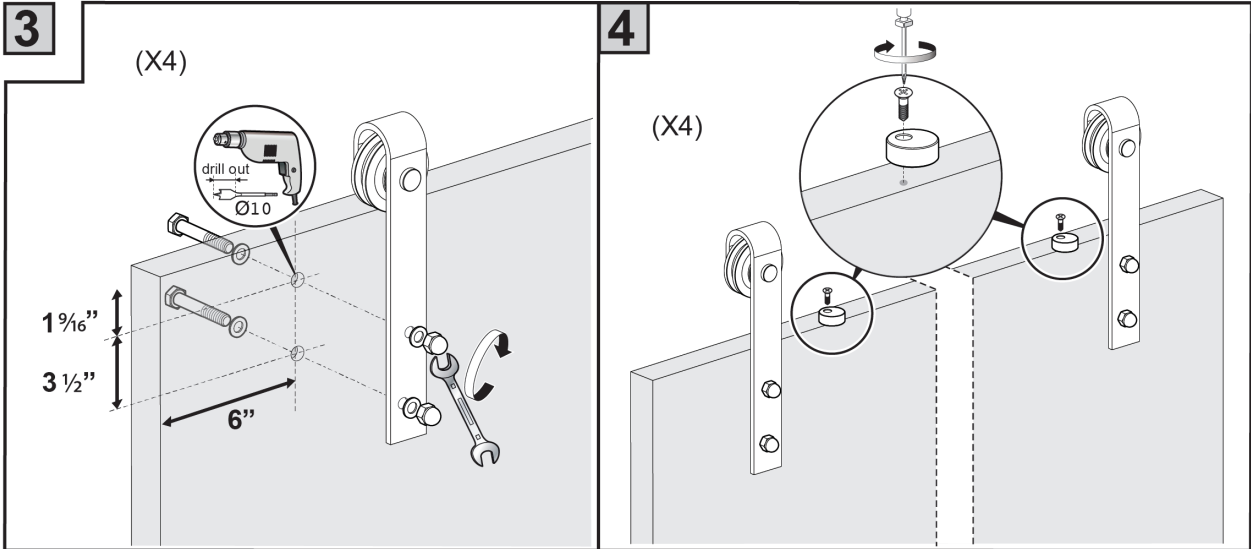




Find the centerline of the track. Using a level, mark a horizontal line twice the door width long. Mark the bracket screw locations into the wall blocking. Attach the wall portion of the brackets as shown.

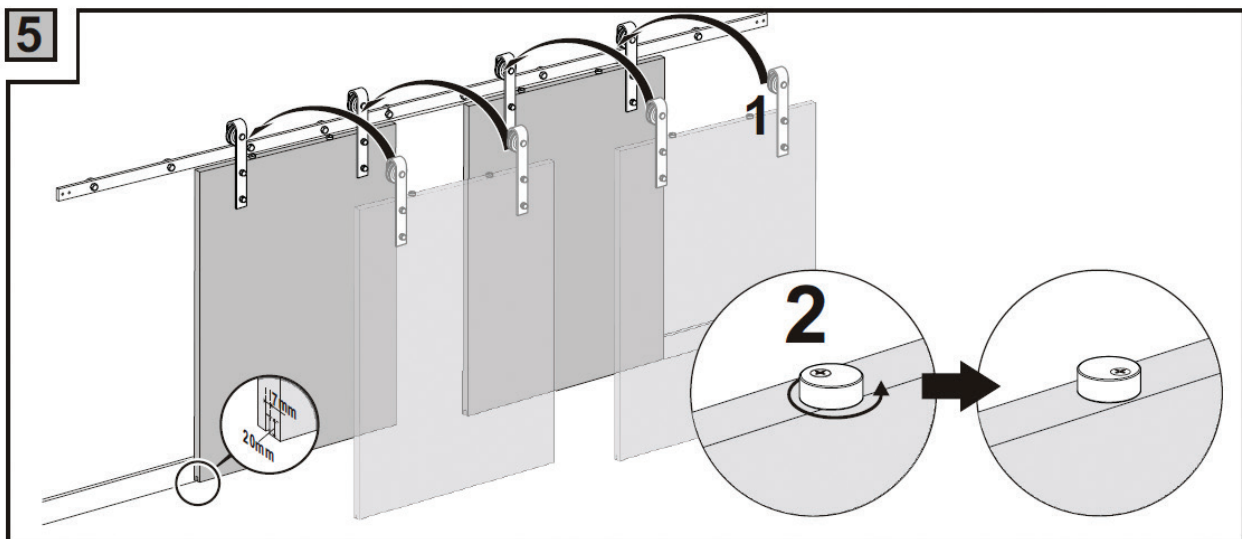


Join the two rails together. Fasten the door stops to the rail at this time, two in the center, two at each end. Attach the rail to the wall brackets using a wrench to fasten the bolts.

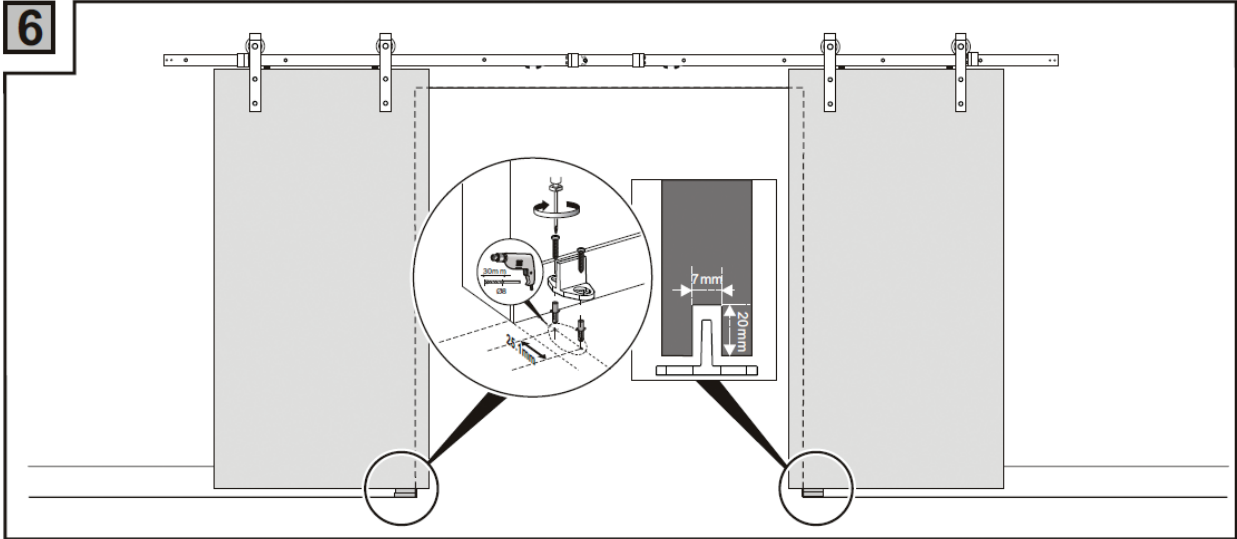


Drill out holes in the door using a 10mm routing drill bit as pictured. The bottom of the doors should be routed at this time in order to accept the floor guide.

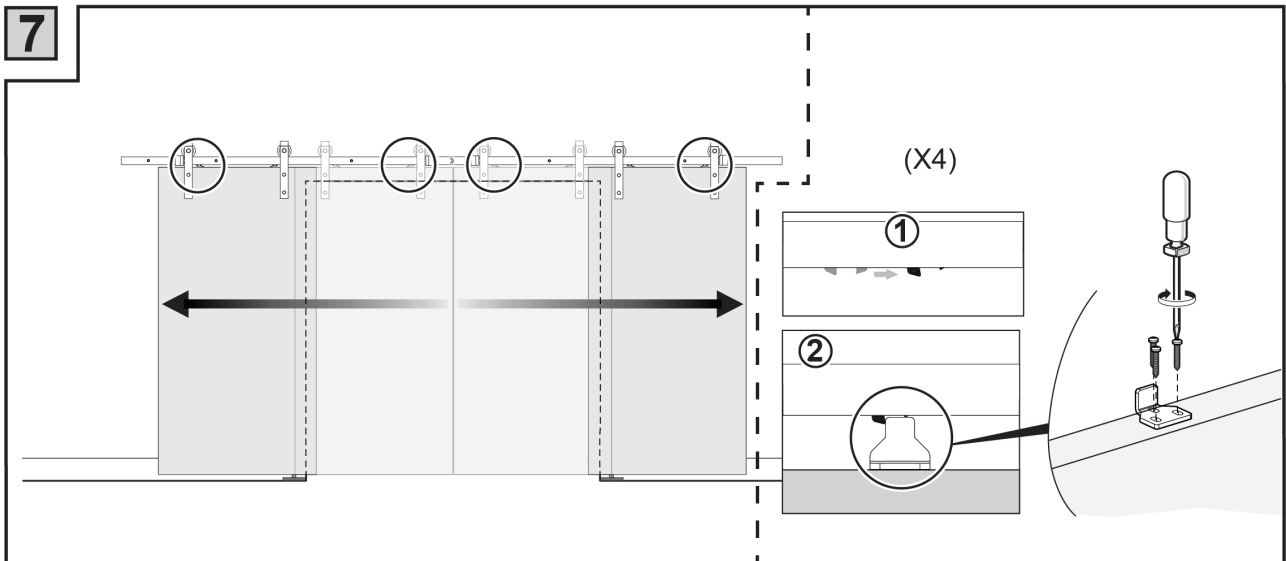
Attach the anti-jump disks to the tops of the doors.



Attach the doors to the rails making sure that the anti-jump disks are engaged to avoid a serious accident.



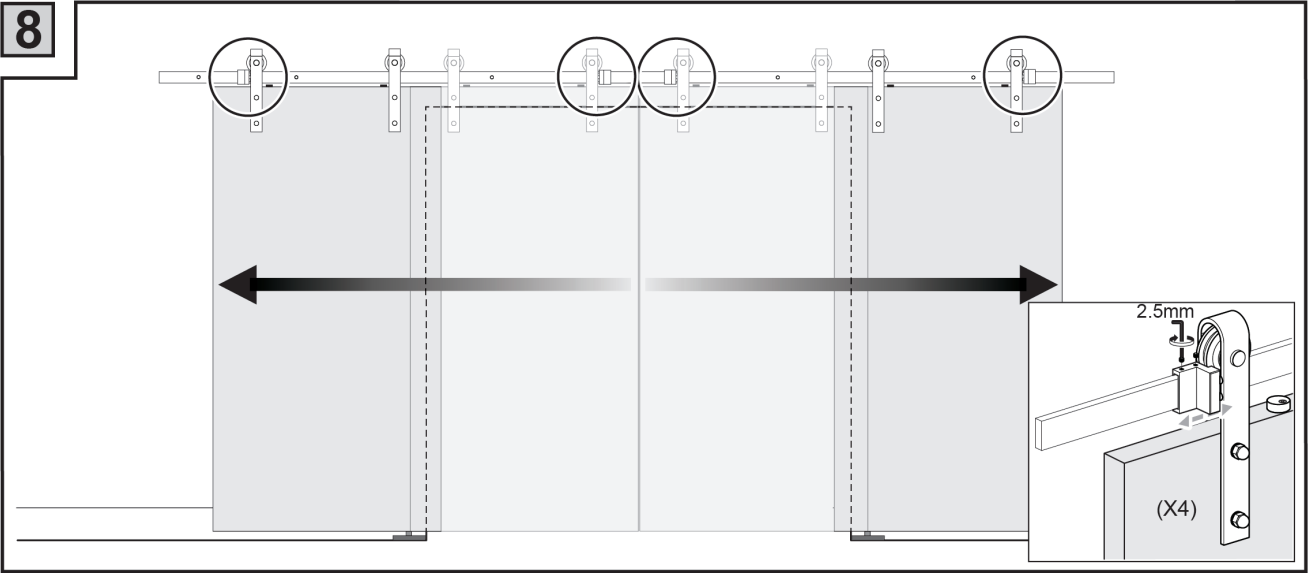
Plumb the door and mark the positions of the floor guides. Mount the floor guides to the floor.



Set the catches on the soft-closing mechanism to the open position. To determine the positioning of the soft-close triggers, it is recommended that the doors be moved to the fully open position. Determine where the soft-close trigger would engage the soft-close mechanism and mark your drill holes on the top of the door. Move the door to the fully closed position and repeat to determine the placement of the second soft-close trigger.

It may be necessary to adjust the height of the door roller hardware in order to accommodate the soft-close trigger. Make any adjustments with the provided adjustable installation wrench then mount the soft-close triggers to the door.

8



Adjust the door stops accordingly.