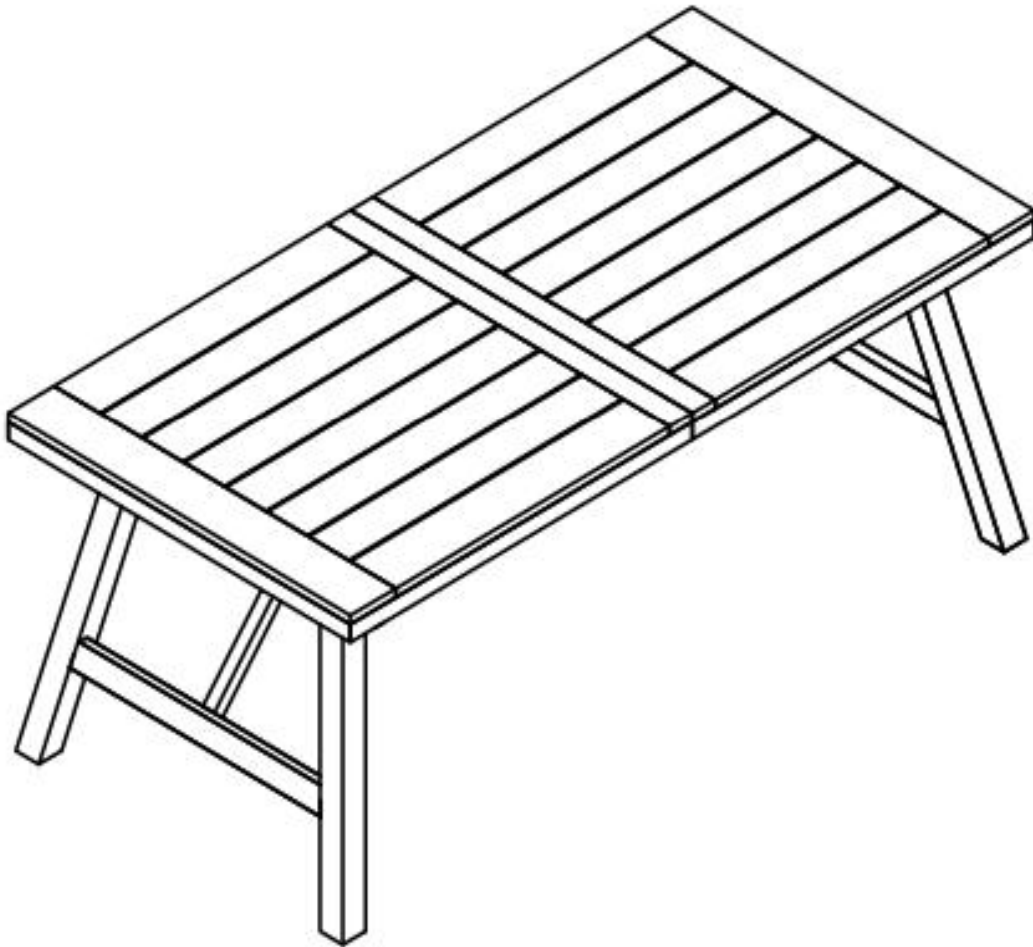


Assembly Instructions





Caution : You must read this before you proceed

TABLE







CAUTION : This Table is NOT a TOY.
Keep your child / children at bay during the assembly process.
For moving the Table and to prevent damage to the Table, two adults are needed to execute this action.

Parts List

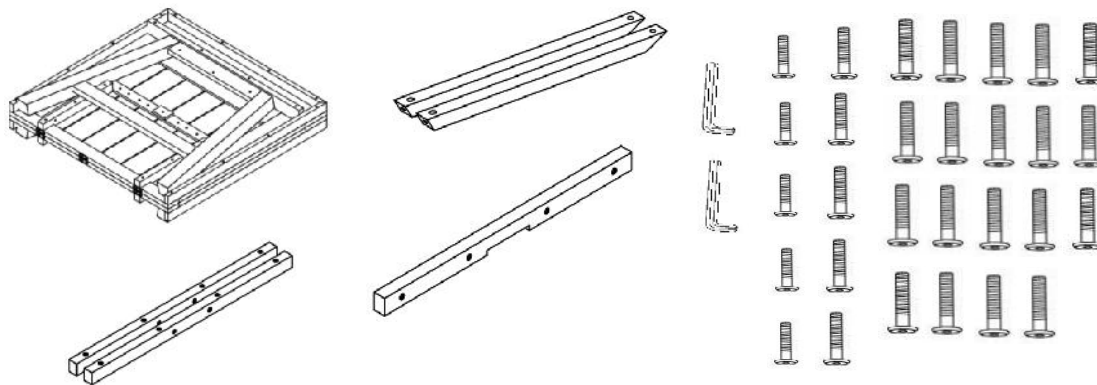
Label	Picture	Description	QTY
A		Table	1
B		Leg Support Bar	2
C		Middle Support Bar	1
D		Side Support Bar	2




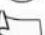

Hardware

Label	Picture	Description	QTY
①		Long Bolt (M6x50mm)	19
②		Medium Bolt (M6x40mm)	5
③		Short Bolt (M6x30mm)	5
④		Allen Key	2

Assembly Preparation

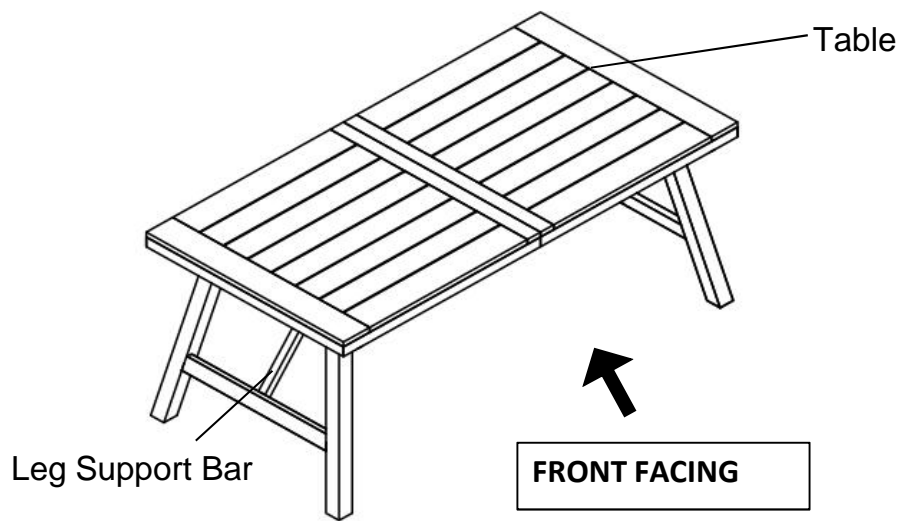
Before Beginning Assembly:



-  • Read instructions, cover to cover-
-  • Have 2 adults on hand for assembly-
-  • Do not assemble on flooring or carpet-
-  • Assemble on a clean non-marring surface (packing foam)-
-  • Save all packaging until finished-

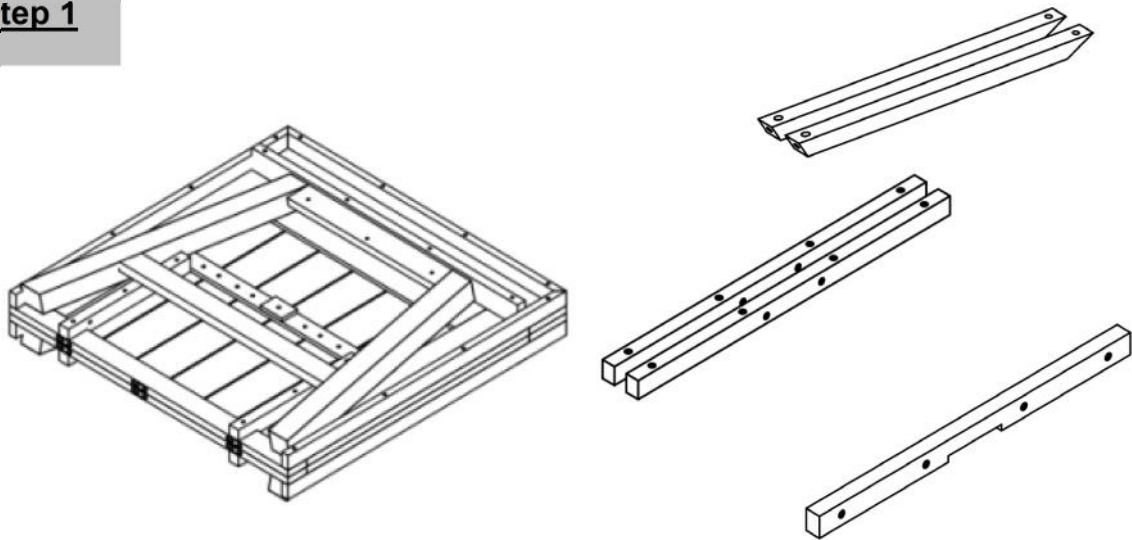
Assembly Steps

OVERVIEW



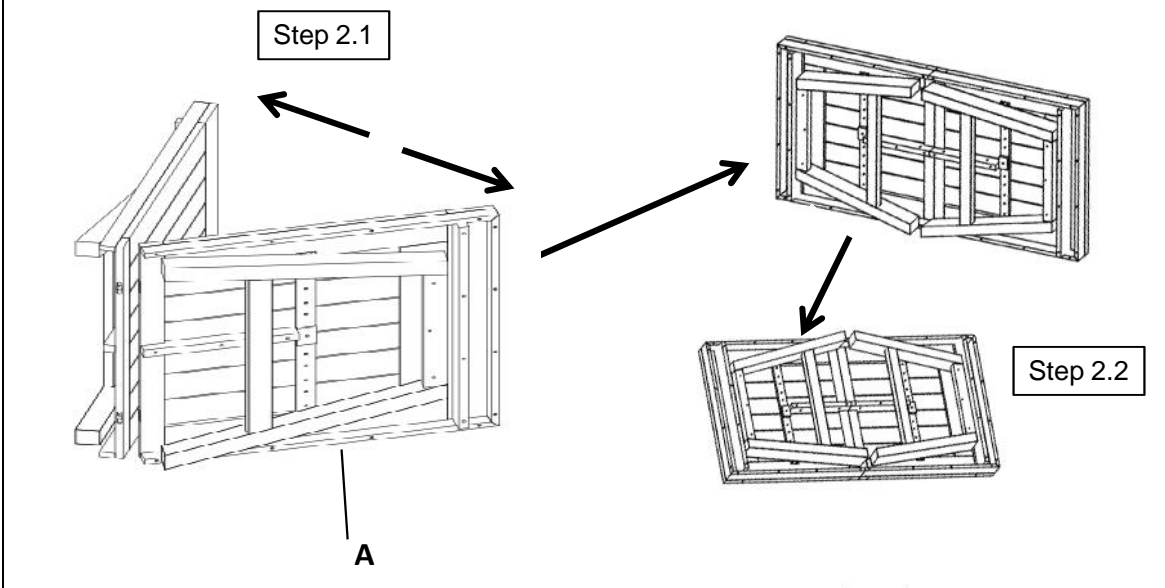
This Table has multiple parts and may require up to some 30 minutes to assemble. To give you an overview of the Table parts, the above picture is to help you put the various parts into perspective. Please read through the instructions below to familiarise yourself with the parts and steps before assembly.

Step 1



Unpack and place all parts on a clean, non-marring surface.

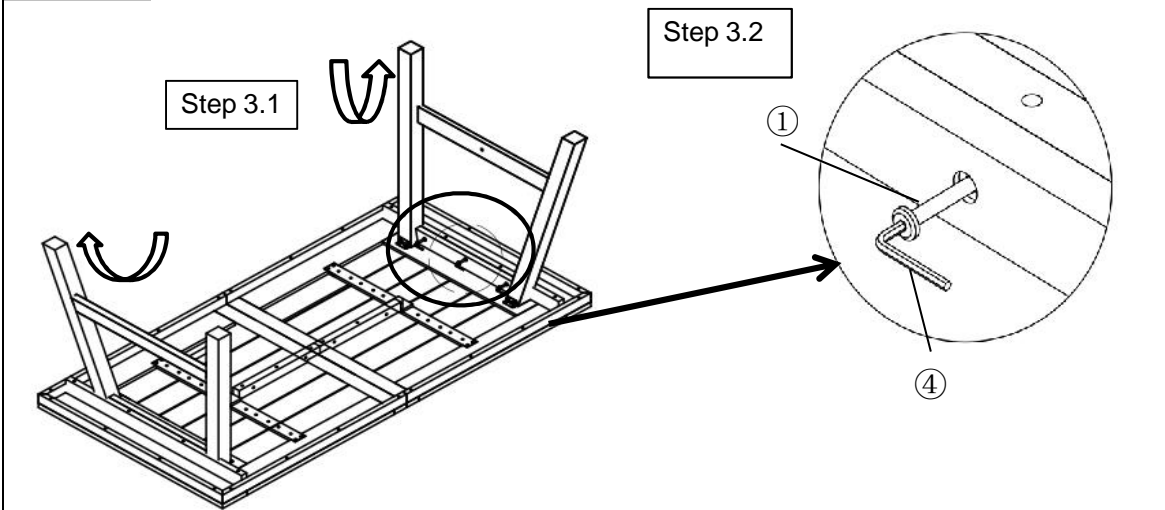
Step 2



2.1) With the assistance of an adult helper, unfold the Table(A) as shown.
Note: When unfolding the Table(A), you must hold the Legs against the Table(A)

2.2) Then lay the Table(A) facedown onto a clean, flat surface to avoid any scratches or damage to the product.

Step 3



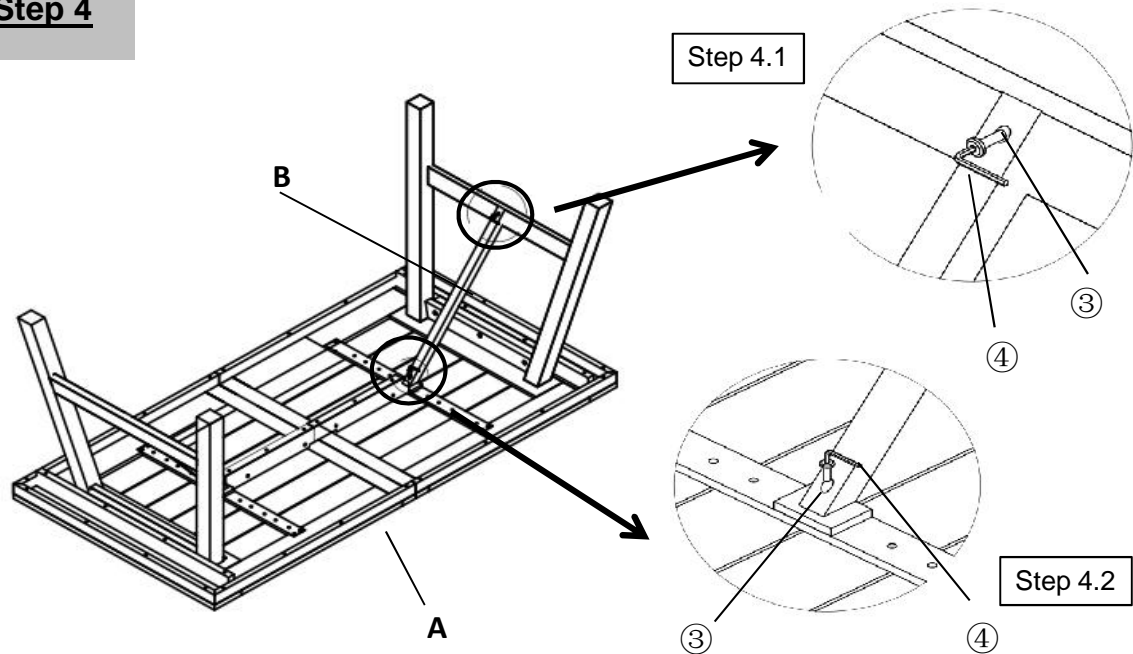
3.1) Lift legs upwards and outwards until they are flush with the base of the Table, as shown in the above picture.

3.2) Insert the three Long Bolts(①) through the mounting position of the Legs and affix the Legs using Allen Key(④)

Only loosely tighten the Bolts.

Repeat the same process with the other Legs.

Step 4



Position Leg Support Bar(B) as shown in picture above.

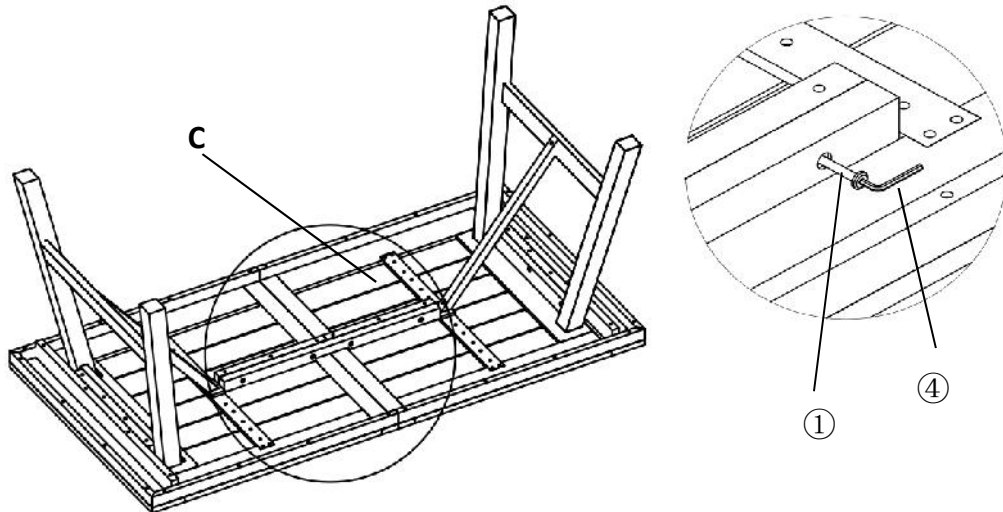
4.1) Secure Leg Support Bar(B) to Legs using Short Bolt(③) with Allen Key(④).

4.2) Secure Leg Support Bar(B) and Table(A) using Short Bolt(③) with Allen Key(④).

Only loosely tighten the Bolts.

Repeat the same process with the other Leg Support Bar(B)

Step 5

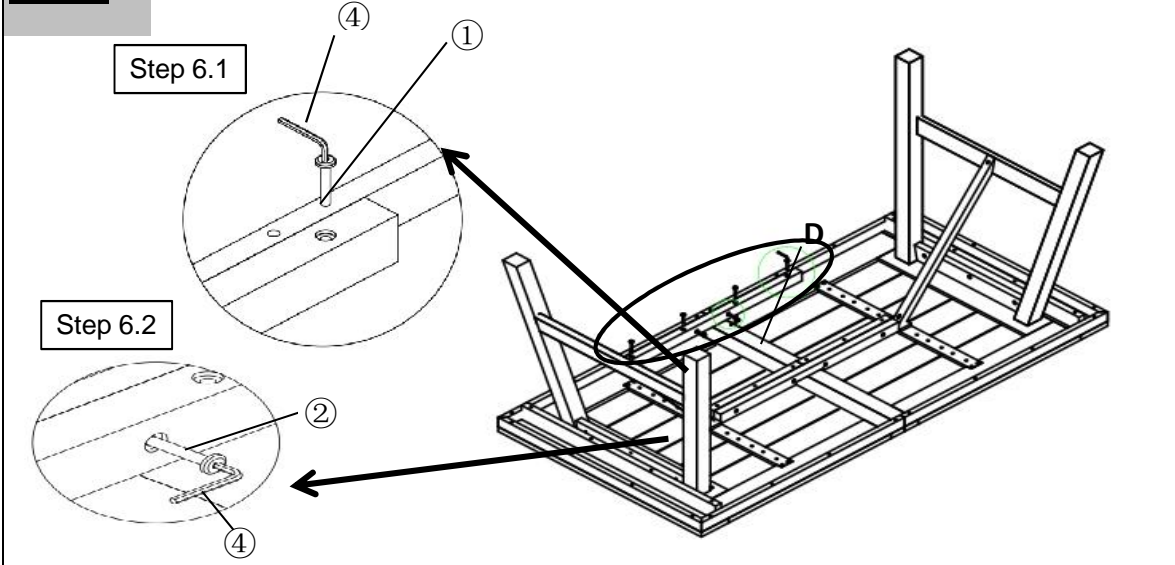


Position Middle Support Bar(C) as shown in picture above.

Insert the four Long Bolts(①) through the mounting positions and affix the Middle Support Bar(C) to Table(A) using the Allen Key(④)

Only loosely tighten the Bolts.

Step 6



Position Side Support Bar(D) as shown in picture above.

6.1) Insert four Long Bolts(①) through the vertical mounting positions of the Side Support Bar(D) and affix using Allen Key(④)

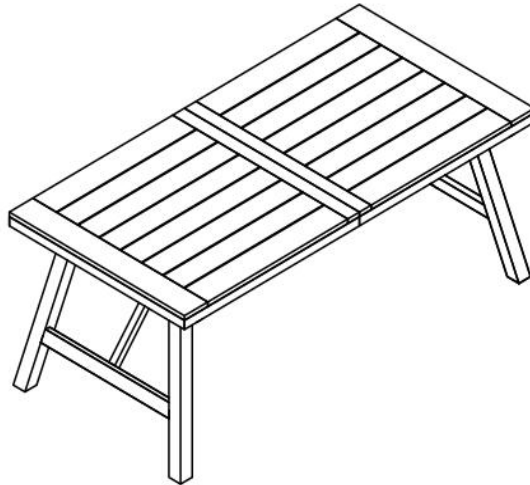
6.2) Insert two Medium Bolts(②) through the horizontal mounting positions of the Support Bar(D) and affix using Allen Key(④)

Only loosely tighten the Bolts.

Repeat the same process with the other Side Support Bar(D).

Now, in a sequential manner, tighten all Bolts at all joints.

Step 7












Stand the Table right side up.

Your Table is ready for use.

This Table can only be used on a flat, level surface.

Care & Maintenance

-  Do not put hot items directly on furniture surface
-  Do not clean furniture with harsh cleansers or polish.
-  To obtain the longest lifespan of your outdoor products, minimizing exposure to direct sunlight is recommended.
-  Children should not climb or jump on the furniture.
-  Do not write on furniture without a padded barrier to protect the surface.
-  To obtain the longest lifespan of your outdoor products, avoid extended and lengthy exposure to rain, snow, and direct sunshine. Whenever possible cover the product and /or place under patio or awnings.
-  Not for commercial use. For residential use only .
-  Stains may be removed with mild soap solution and damp cloth.
-  Dust and pick-up spills using a clean, non-colored, lint-free cloth.

Questions & Answers about Proposition 65

- What is Proposition 65?

Proposition 65 requires businesses to provide warnings to Californians about significant exposures to chemicals that cause cancer, birth defects or other reproductive harm. These chemicals can be in the products that Californians purchase, in their homes or workplaces, or that are released into the environment. By requiring that this information be provided, Proposition 65 enables Californians to make informed decisions about their exposures to these chemicals.

Proposition 65 also prohibits California businesses from knowingly discharging significant amounts of listed chemicals into sources of drinking water.

Proposition 65 requires California to publish a list of chemicals known to cause cancer, birth defects or other reproductive harm. This list, which must be updated at least once a year, has grown to include approximately 900 chemicals since it was first published in 1987.

- What types of chemicals are on the Proposition 65 list?

The list contains a wide range of naturally occurring and synthetic chemicals that include additives or ingredients in pesticides, common household products, food, drugs, dyes, or solvents. Listed chemicals may also be used in manufacturing and construction, or they may be byproducts of chemical processes, such as motor vehicle exhaust.

- What does a warning mean?

If a warning is placed on a product label or posted or distributed at a workplace, a business, or in rental housing, the business issuing the warning is aware or believes that it is exposing individuals to one or more listed chemicals.

By law, a warning must be given for listed chemicals unless the exposure is low enough to pose no significant risk of cancer or is significantly below levels observed to cause birth defects or other reproductive harm.

- Where can I get more information on Proposition 65?

If you have specific questions on the administration or implementation of Proposition 65, you can contact OEHHA's Proposition 65 program at P65.Questions@oehha.ca.gov, or by phone at (916) 445-6900.]