




# NATHAN JAMES



## KALOS DESK

---

 Toll-free at 1-866-619-1004    [help@nathanjames.com](mailto:help@nathanjames.com)    [nathanjames.com/help](https://nathanjames.com/help)

# Ok, let's get rolling.

This should be easy, just follow our instructions and you will be back to Netflix in no time.

---

## Estimated time for assembly

Standard mode

**15:00**

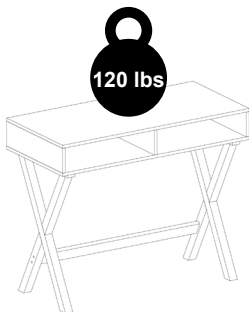
---

## What you need

- Some bubbly or your preferred relaxant
- Allen wrench (provided)
- Use the packaging carton as a working surface to prevent product damage during assembly

---

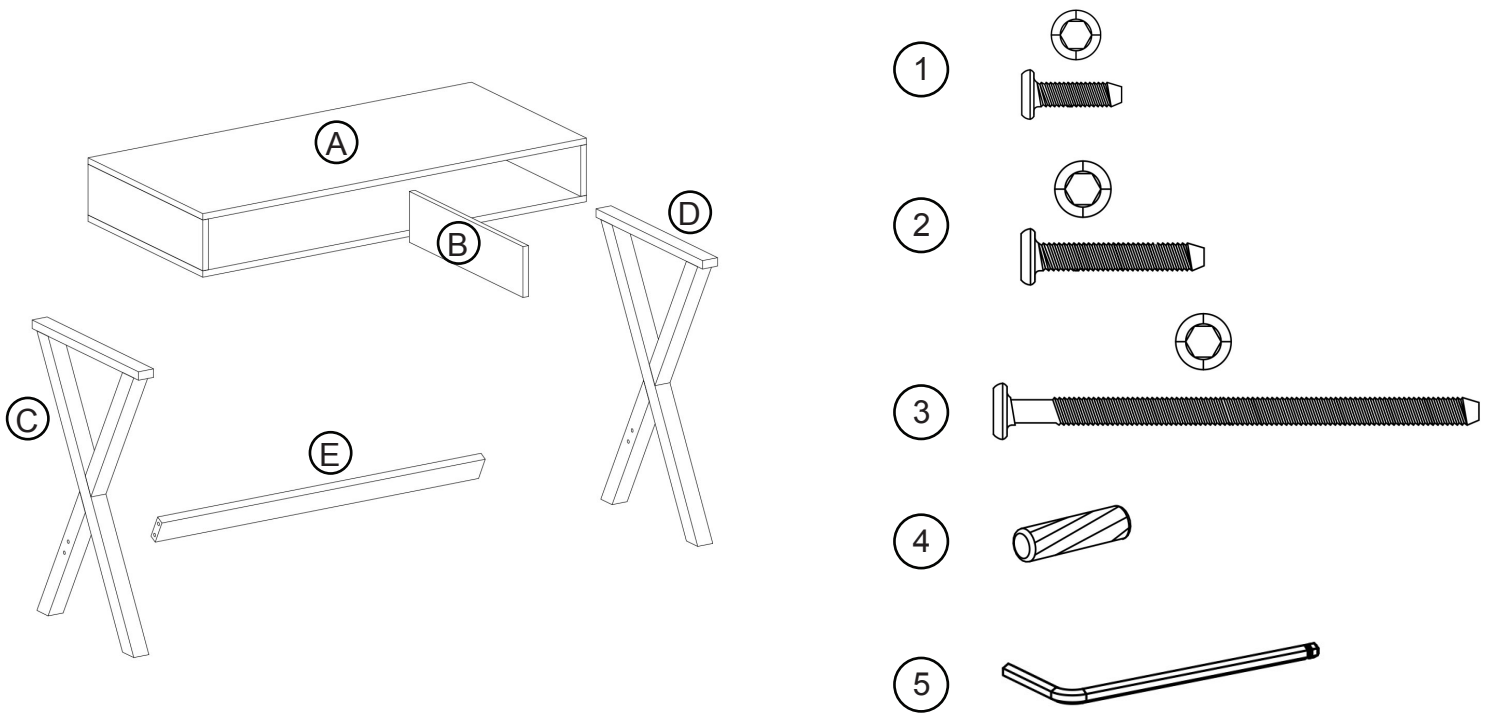
**Do not use drill**



## What's included

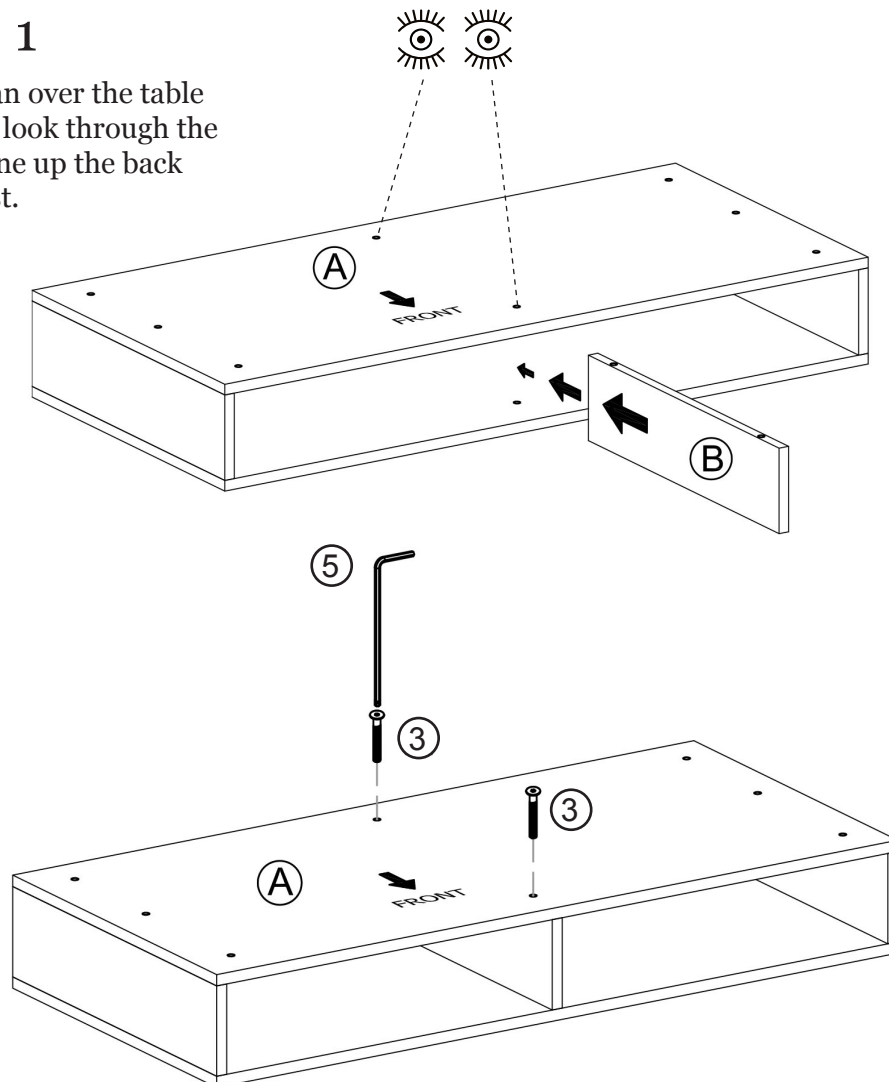
Code	Description	Qty
A	Desk top frame	1
B	Middle Panel	1
C	Left Frame Leg	1
D	Right Frame Leg	1
E	Crossbar	1
1	Short Bolt	6
2	Medium Bolt	4
3	Long Bolt	2
4	Wood Dowel	4
5	Allen Wrench	1

# The goods

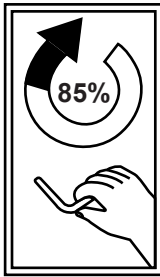
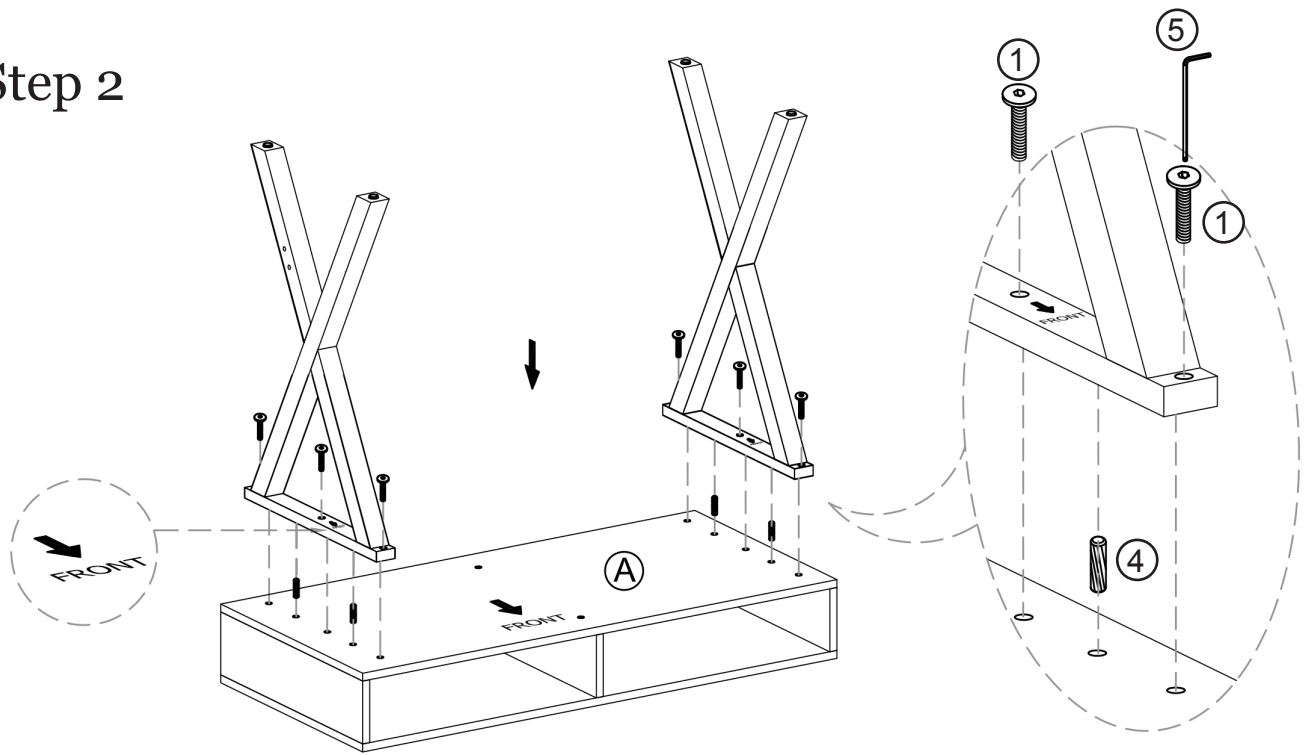


## Step 1

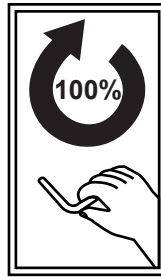
Tip: Lean over the table top and look through the hole - line up the back hole first.



## Step 2



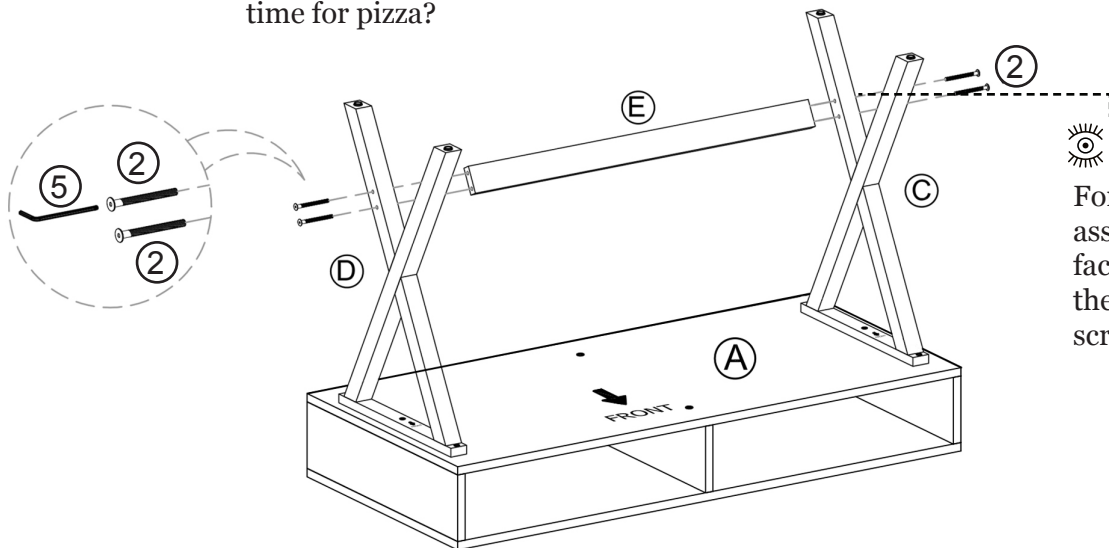
\*Do not fully tighten



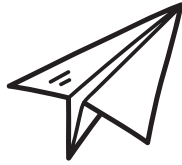
\*Once all bolts are in 85% you can securely tighten them all the way.

## Step 3

You're almost done,  
time for pizza?






For aesthetics, when assembling the "X" legs, face the larger holes to the outside. Otherwise screws will be exposed.



# No heartburn, when we handle the return

Give us a call **1-866-619-1004** or shoot us a message at **help@nathanjames.com**  
we will issue you a free replacement with zero hassle.



OUR WAY	THEIR WAY
 Give us a call	 Re-package item
 Replacement	 Schedule pick up
 You	 Track package
	 Replacement
	 You

We really don't want you to go through the hassle of re-packaging your item and sending it back, because let's be honest...nobody has time for that.

# Safety first, fun later.

---

We want your desk to last as long as possible, so we recommend that you tighten the screws 2 weeks after assembly and for added safety check the tightness of all screws every 2 months.

For proper care and treatment of wood please check our website at [nathanjames.com/products](http://nathanjames.com/products)

## **Safety use of this product starts with you.**

Use this desk responsibly and with the primary concern for your safety. Follow assembly instructions carefully and inspect product upon receipt and each use. Nathan James and its parent companies cannot be held legally responsible for any injuries or death resulted from failure to follow instructions or improper use of this product.

## Proper Use

---

- ⊘ DO NOT - use for commercial purposes
- ⊘ DO NOT - place on uneven floor or surface
- ⊘ DO NOT - stand on desk
- ⊘ DO NOT - use damaged or broken desk
- ⊘ DO NOT - make temporary repairs
- ⊘ DO NOT - use outdoor

# We are only in business if you're happy.

---

For starters,  
thanks for being you.

☎ Toll-free at 1-866-619-1004

✉ help@nathanjames.com

🌐 nathanjames.com/help

We do our best to ensure your furniture arrives without any problems, but occasionally mistakes happen - as humans we are imperfect beings. In the event that a part is damaged or missing, we will be more than happy to provide you with replacement part(s) for free.

## Warranty

Manufacturer-guaranteed lifetime warranty.

Please use your phone to scan the QR code to register your product or visit <https://goo.gl/i9dk3q>



## Did we do alright? Please spread the love!

If you are happy with your product, tell your friends and family about us or even better leave us a review online. Spreading the word gives us the opportunity to make more people happy and keep our prices low for your next purchase.

*Brooklyn Burdon*

- Founder, Nathan James