

HANOVER[®]

Hanover Outdoor Furniture



IMPORTANT

If you have any problems with this product (missing or damaged parts, assembly issues, etc.),

PLEASE DO NOT RETURN TO THE RETAILER/STORE

from where you purchased the product.

Please call our Toll-Free Customer Service Hotline at: **1-866-851-8438**

Between 9:00 AM and 5:00 PM Eastern Time, Monday through Friday

Or visit our website at: **www.hanover-products.com**

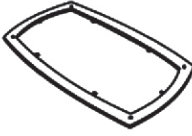




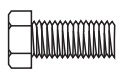



To expedite any future warranty claims, please retain the Instruction Sheet, Warranty Card and receipt for future use.

For additional on-line support on assembly, troubleshooting and care & maintenance of your outdoor furniture, please visit our website at: **www.hanover-products.com**.

CAUTION: Read all the instructions before assembly. Failure to do so may result in faulty assembly and potential injury! Assemble product on a soft, non-abrasive surface such as a carpet or cardboard to avoid damaging the item. Seek assistance to assemble bulky or heavy items. After final alignment, make sure all bolts and nuts are securely tightened with screw head covers pressed in place.

NOTE: Do not allow children to play with plastic wraps or small parts to prevent potential choking hazard.

PARTS LIST

PART#	DESCRIPTION	PICTURE	Q'TY
A	Table Rim with Glass		1
B	Table Leg		4
C	Short Leg Connector		2
D	Long Leg Connector		2
E	Leg Connecting Plate		1
F	Bolt M6x15		20
G	M6 Washer		20
H	Bolt Cap		20
I	Open Wrench		2

Assembly Steps:

Note: Do not fully tighten bolts until assembly is completed and alignment is correct.

Step 1. Take the glass top away from the table rim and place the glass top on a soft surface.

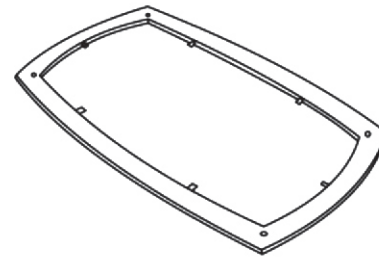


Figure 1

Step 2. Carefully place the table rim(A) upside down on a non-abrasive surface(See figure 1).

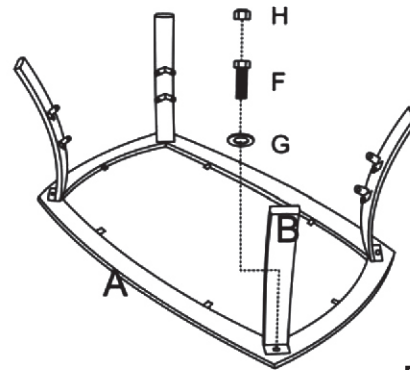


Figure 2

Step 3. Assemble the table legs (B) to the table rim (A) with bolts (F) and washers (G) by using open wrench(I) as shown in figure 2.

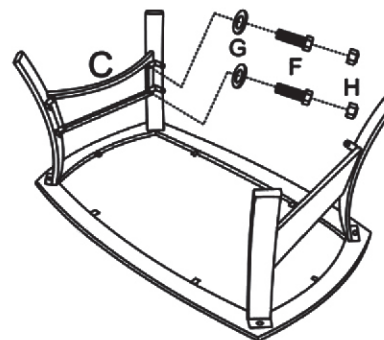


Figure 3

Step 4. Assemble the short leg connector (C) to the table legs (B) with bolts (F) and washers (G) by using open wrench(I) as shown in figure 3.

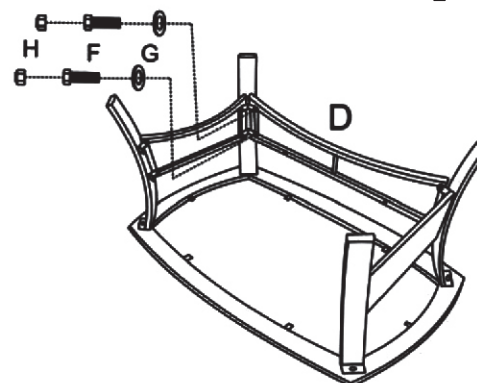


Figure 4

Step 5. Then assemble one of the long leg connector (D) to the table legs (B) with bolts (F) and washers (G) by using open wrench(I) as shown in figure 4.

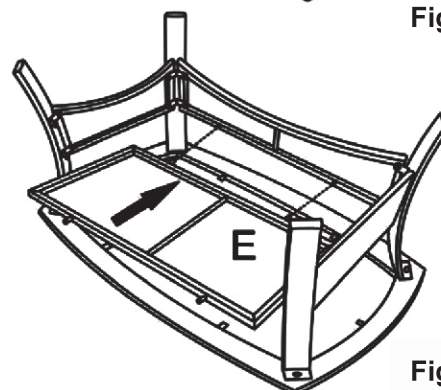


Figure 5

Step 6. Insert the leg connecting plate(E) to the one of the long leg connector. as shown in figure 5.

Step 7. Then insert the leg connecting plate to the other long leg connector(D) and at the same time assemble the long leg connector to the table legs with bolts(F) and washers(G) as shown in figure 6

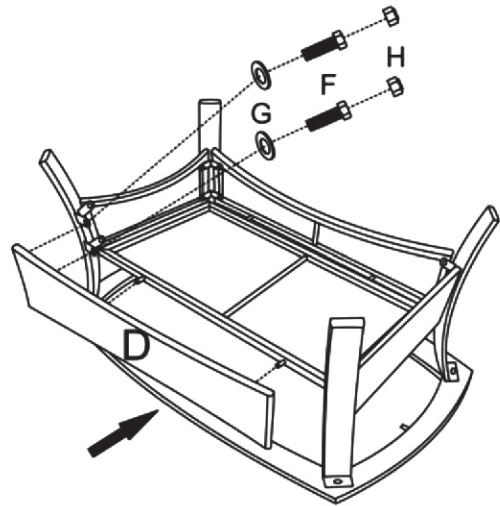


Figure 6

Step 8. Check the alignment and adjust if necessary. Once the alignment is correct, tighten all bolts with open wrench(I). Cover all bolts with bolt caps (H).

Step 9. Verify all bolts are securely tightened before use and turn your table right side up.

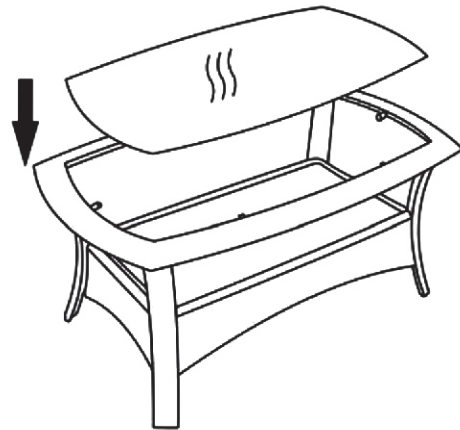


Figure 7

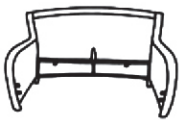

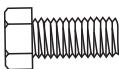

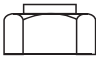


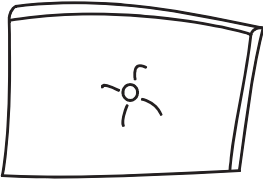
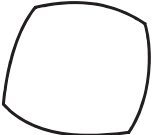
Step 10. Place the glass top on the table rim (See Figure7). Your table is now ready to use.

Warning:

- a.. Do not crawl, stand, or sit on glass table tops.
- b.. Do not set or lay heavy items on glass table tops.
- c.. Avoid extreme hot & cold items being placed on glass table tops.
- d.. This glass table top is produced with tempered glass which is designed to safely shatter in small pieces when impacted or stressed beyond strength limitations.

CAUTION: Read all the instructions before assembly. Failure to do so may result in faulty assembly and potential injury! Assemble product on a soft, non-abrasive surface such as a carpet or cardboard to avoid damaging the item. Seek assistance to assemble bulky or heavy items. After final alignment, make sure all bolts and nuts are securely tightened with screw head covers pressed in place.

PARTS LIST

PART	DESCRIPTION	PICTURE	QTY
A	Seat Frame		1
B	Seat		1
C	Bolt M6×15MM		6
D	M6 Washer		6
E	M6 Bolt Cover		6
F	Open Wrench		2
G	Seat Cushion		2
H	Back Cushion		2
I	Toss Pillow		2

Assembly Steps

Step 1. Place the seat frame (A) on a flat surface. (Figure 1)

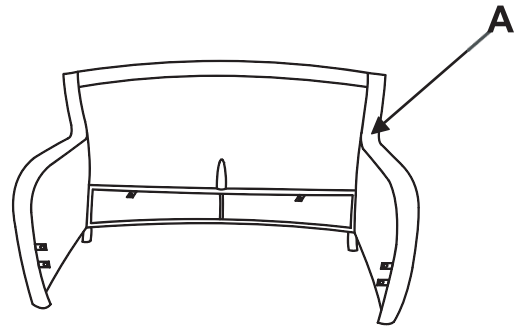


Figure 1

Step 2. With the help of another person, carefully place the seat (B) into the seat frame. Connect the seat to the seat frame with bolts (C), washers (D) by using open wrench (F), then cover the bolts with bolt covers (E) as shown in figure 2. (Figure 2&3)

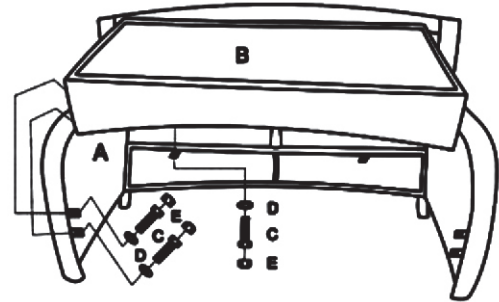


Figure 2

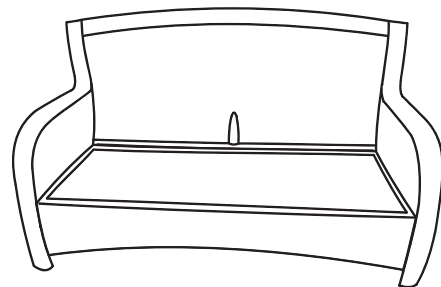


Figure 3

Step 3. Place the seat cushions (G), back cushions (H) and the toss pillows (I) on the seat. Your loveseat is now ready to use. (Figure 4)

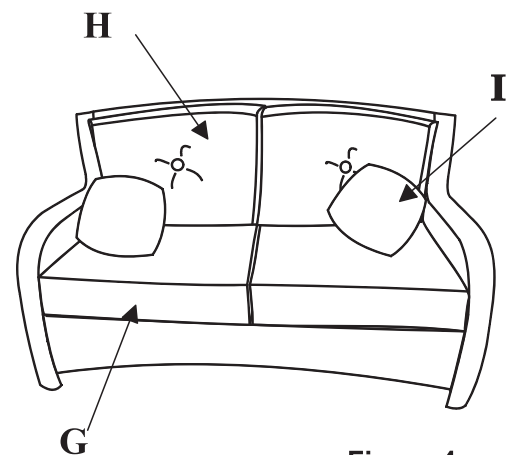


Figure 4