



Count on it.

Parts Catalog

22in Recycler[®] Lawn Mower

Model No. 20353—Serial No. 315000001 and Up



Ordering Replacement Parts

To order replacement parts, please supply the part number, the quantity, and the description of each part desired.

Understanding Reference Numbers

Each identified part in an illustration has a reference number. The reference number for a part also appears in the parts list, along with other information about the part.

This catalog uses two special reference number formats, one to indicate parts in a service assembly and another to indicate the quantity of a given part in an illustration.

Service Assembly Reference Numbers

Parts in service assemblies have reference numbers in the form a:b. The a represents the reference number of the entire service assembly and the b represents a sequential number unique to each part within the service assembly.

For example, a wheel assembly might be identified by reference number 6, the tire by 6:1, the valve by 6:2, and the wheel by 6:3. When you order the assembly identified by reference number 6, you receive all parts identified by reference numbers 6:1, 6:2, and 6:3. However, you may also order any part individually. Reference numbers of this type appear in illustration and in parts lists.

Reference Numbers Indicating Quantity

In an illustration, if a reference number indicates more than one part, the reference number has the form nX y. The n represents the quantity of the part, the X is the multiplication symbol, and the y represents the reference number.

For example, in an illustration, the reference number 2X 37 means that two of the parts identified by reference number 37 are indicated.

List of Abbreviations

AR: as required

ASM: assembly

BBC: blade brake control

BHTF: button head thread forming

CARR: carriage

CCW: counter clockwise

CW: clockwise

DEG: degrees

DPA: Dual Point Adjustment

ECM: electronic control module

EXT: external

FH: flat head

GA: gauge

HD: heavy-duty

HF: hex flange

HH: hex head

HHF: hex head flange

HHFTF: hex head flange thread forming

HJ: hex jam

HLH: hex lag head

HOC: height-of-cut

HP: high pressure

HSBH: hex socket button head

HSFH: hex socket flat head

HSH: hex socket head

HWH: hex washer head

HWHTF: hex washer head thread forming

HYD: hydraulic

LH: left hand

LP: low pressure

LPG: Liquefied Petroleum Gas

NI: nylon insert

NPTF: national pipe thread fine

PFH: phillips flat head

PPH: phillips pan head

PPHTF: phillips pan head thread forming

PRH: phillips round head

PTH: phillips truss head

PTO: power-take-off

RH: right hand

ROPS: roll-over protection system

RRB: rear roller brush

SFH: slotted fillister head

SHH: slotted hex head

SHWH: slotted hex washer head

SPH: slotted pan head

SQH: square head

SRH: slotted round head

STD: standard

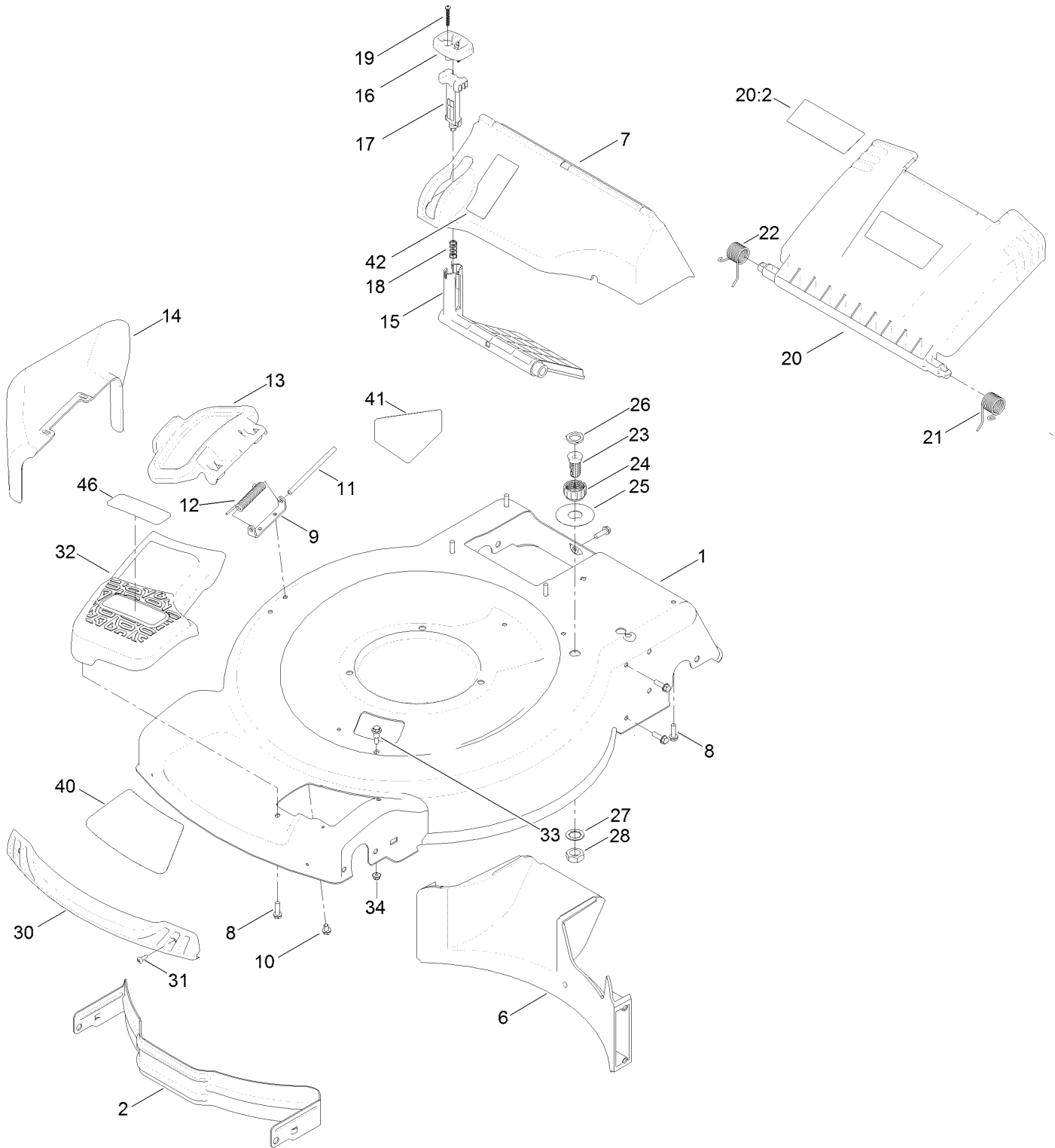
TAP: self tapping

TTH: torx truss head

Contents

Housing and Rear Deflector Assembly	4
Handle Assembly	6
Rear Bag Assembly	8
Engine and Blade Assembly	10
Transmission and Front Wheel Drive Assembly	12
Height-of-Cut and Rear Wheel Assembly	14
Attachments and Accessories	16

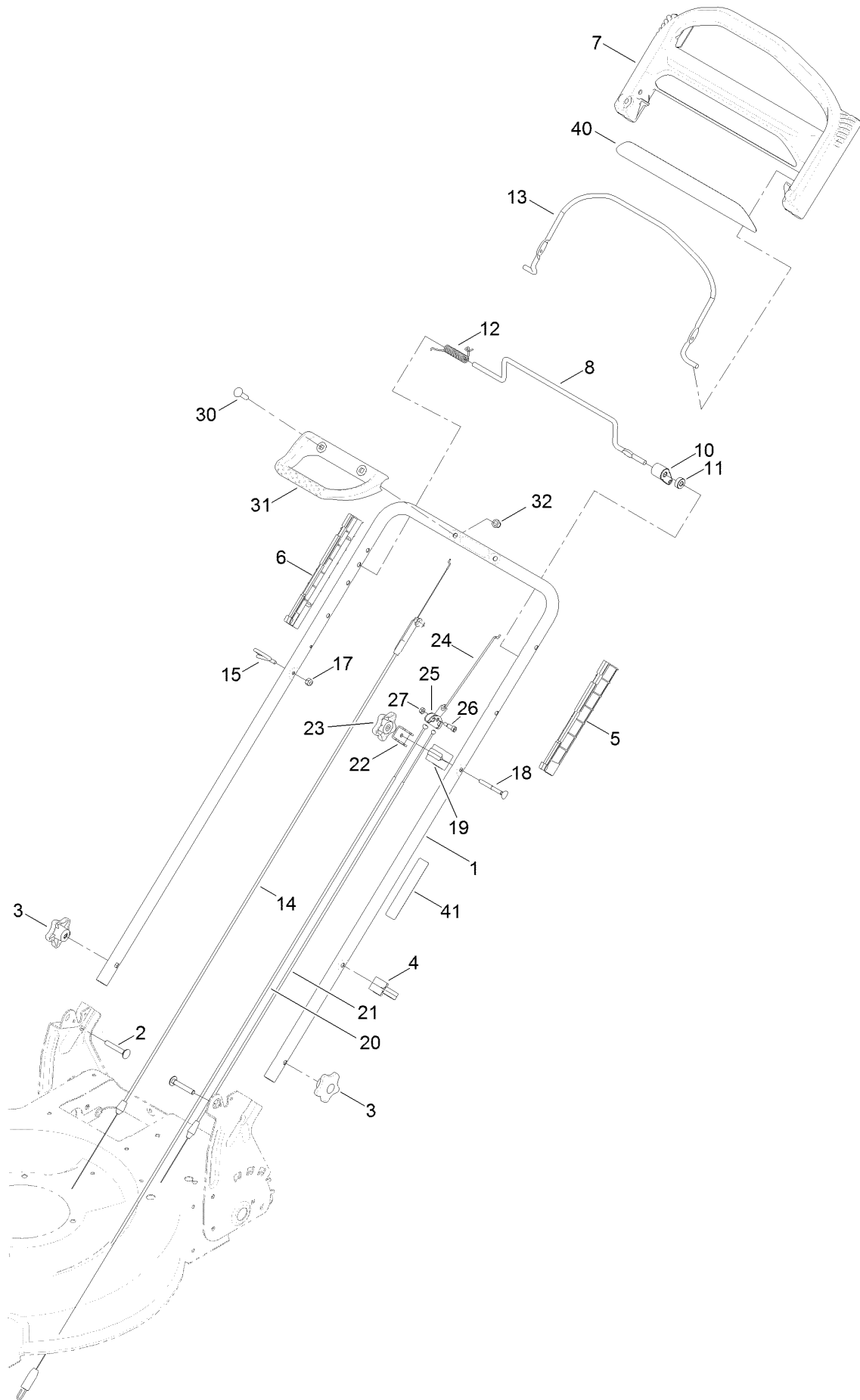
Housing and Rear Deflector Assembly



Housing and Rear Deflector Assembly (continued)

<i>Ref.</i>	<i>Part Number</i>	<i>Qty.</i>	<i>Description</i>	<i>Ref.</i>	<i>Part Number</i>	<i>Qty.</i>	<i>Description</i>
1	131-4579	1	Housing ASM	21	115-2859	1	Spring-Torsion
2	114-7963-01	1	Baffle-Front	22	114-7924	1	Spring-Torsion
6	114-7961	1	Baffle-Rear	23	112-6400	1	Port-Washout
7	115-4677	1	Chute-Recycle	24	112-6401	1	Coupling-Hose, Washout Port
8	46-8091	11	Screw-HWH	25	112-8867	1	Decal-Port, Washout
9	112-6416	1	Bracket-Cover	26	112-6438	1	Washer-Seal, Washout Port
10	99-8445	2	Screw-HWH	27	3254-5	1	Washer-Tooth, Internal
11	99-5291	1	Rod-Cover	28	3218-6	1	Nut-Jam
12	99-5293	1	Spring-Torsion	30	114-7987	1	Bumper
13	115-8449	1	Deflector-Side	31	105-6849	2	Screw-Thread Forming
14	115-8447	1	Chute-Discharge, Side	32	130-6708	1	Cover-Belt, Front
15	114-7960	1	Deflector-Recycle	33	104-0858	1	Bolt-Shoulder
16	114-7958	1	Knob-Recycle	34	3296-16	1	Nut-Lock, NI
17	114-7959	1	Latch-Recycle	40	131-4526	1	Decal-Deck
18	117-1031	1	Spring-Compression	41	94-8072	1	Decal-Danger
19	32104-120	2	Screw-PPH	42	125-5026	1	Decal-Bag On Demand
20	121-5776	1	Rear Door ASM	46	131-4527	1	Decal-Cover
20:2	131-4514	1	Decal-Warning				

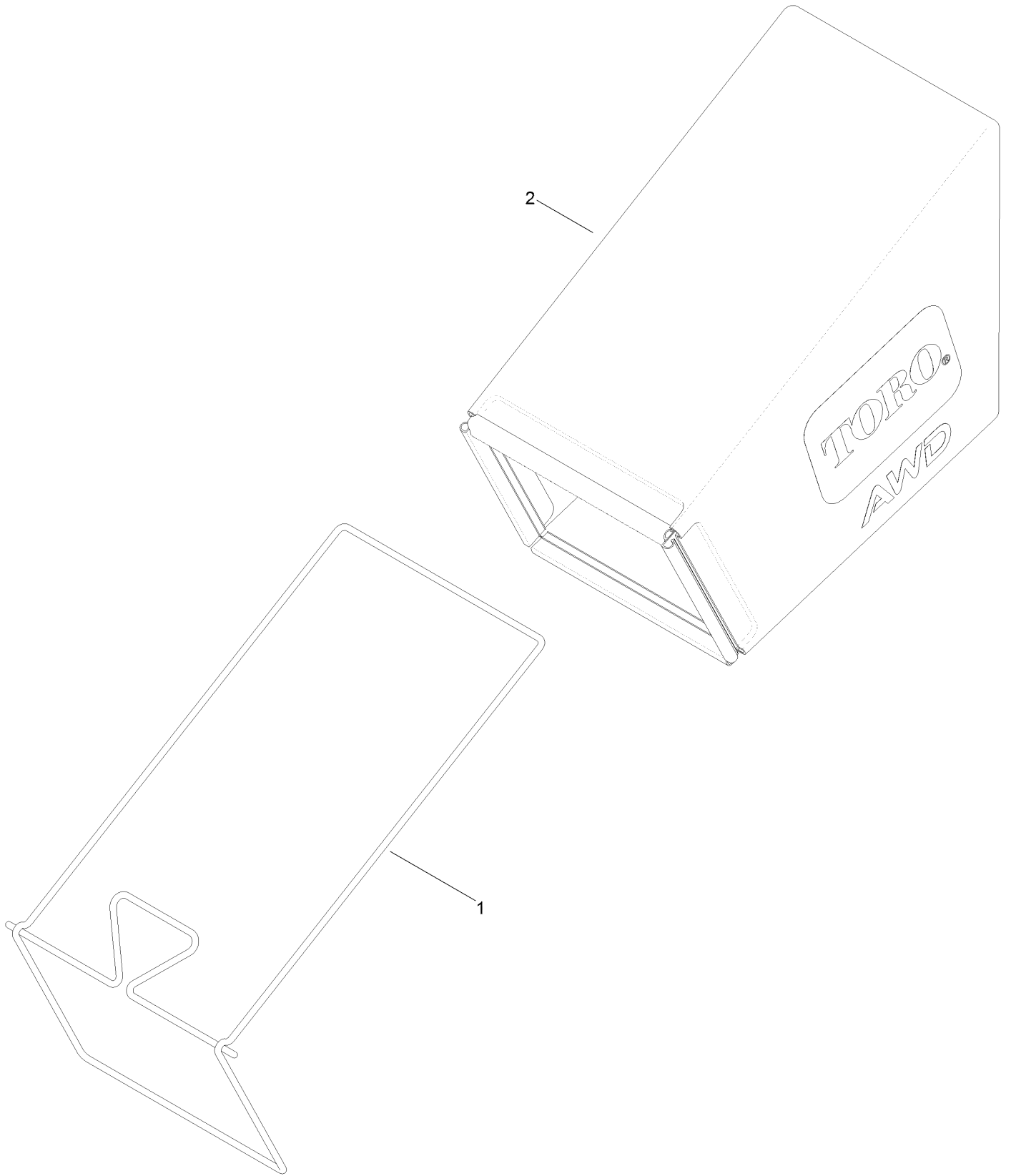
Handle Assembly



Handle Assembly (continued)

<i>Ref.</i>	<i>Part Number</i>	<i>Qty.</i>	<i>Description</i>	<i>Ref.</i>	<i>Part Number</i>	<i>Qty.</i>	<i>Description</i>
1	130-6715-05	1	Handle	18	92-2269	1	Screw-Handle
2	3230-6	2	Screw-CARR	19	130-6716	1	Mount-Cable, Traction
3	117-5976	2	Knob-Handle	20	130-6717	1	Cable-Traction, Front
4	114-7988	1	Guide-Cable	21	130-6718	1	Cable-Traction, Rear
5	105-6842	1	Guide-LH	22	130-6704	1	Clamp-Cable
6	105-6841	1	Guide-RH	23	131-0897	1	Knob-Handle, Locking
7	104-8678	1	Handle-Control	24	131-4559	1	Linkage,Equalizer
8	99-1588	1	Bar-Control, Traction	25	130-6719	1	Yoke-Cable
10	127-6842	1	Lever-Traction	26	125-8434	1	Screw-Shoulder
11	130-2343	1	Spacer	27	3296-2	1	Nut-Lock, NI
12	121-9118	1	Spring-Torsion	30	99-6005	2	Bolt-Carriage
13	104-8679-03	1	Bail-Brake	31	131-0847	1	Handle-Assist, Traction
14	115-8437	1	Cable-Brake	32	131-4535	2	Nut-Acorn
15	86-9671	1	Guide-Rope	40	131-4519	1	Decal
17	3296-73	1	Nut-Lock, NI	41	131-0894	1	Decal-Traction, Adjust

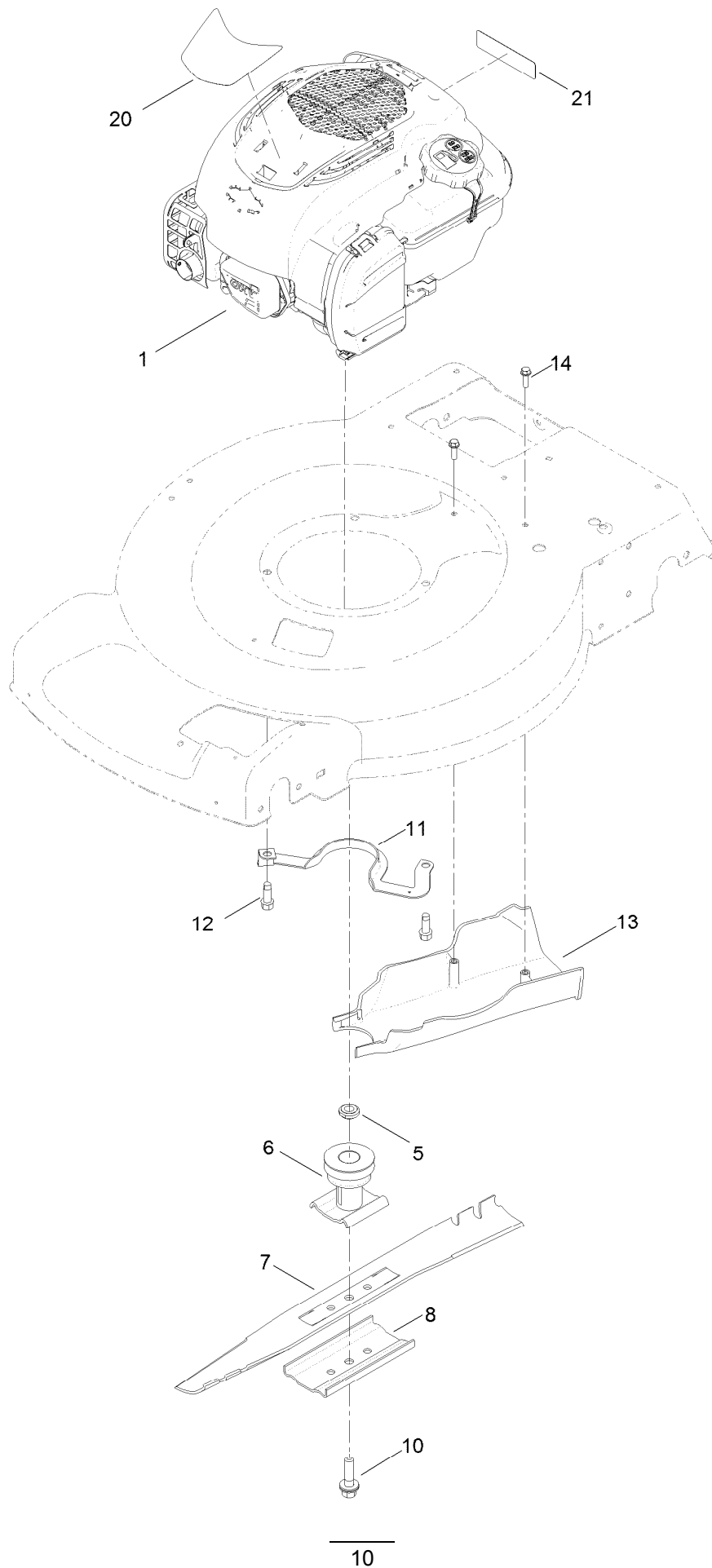
Rear Bag Assembly



Rear Bag Assembly (continued)

<i>Ref.</i>	<i>Part Number</i>	<i>Qty.</i>	<i>Description</i>
1	114-2679-03	1	Frame-Bag
2	131-0893	1	Grass Bag ASM

Engine and Blade Assembly

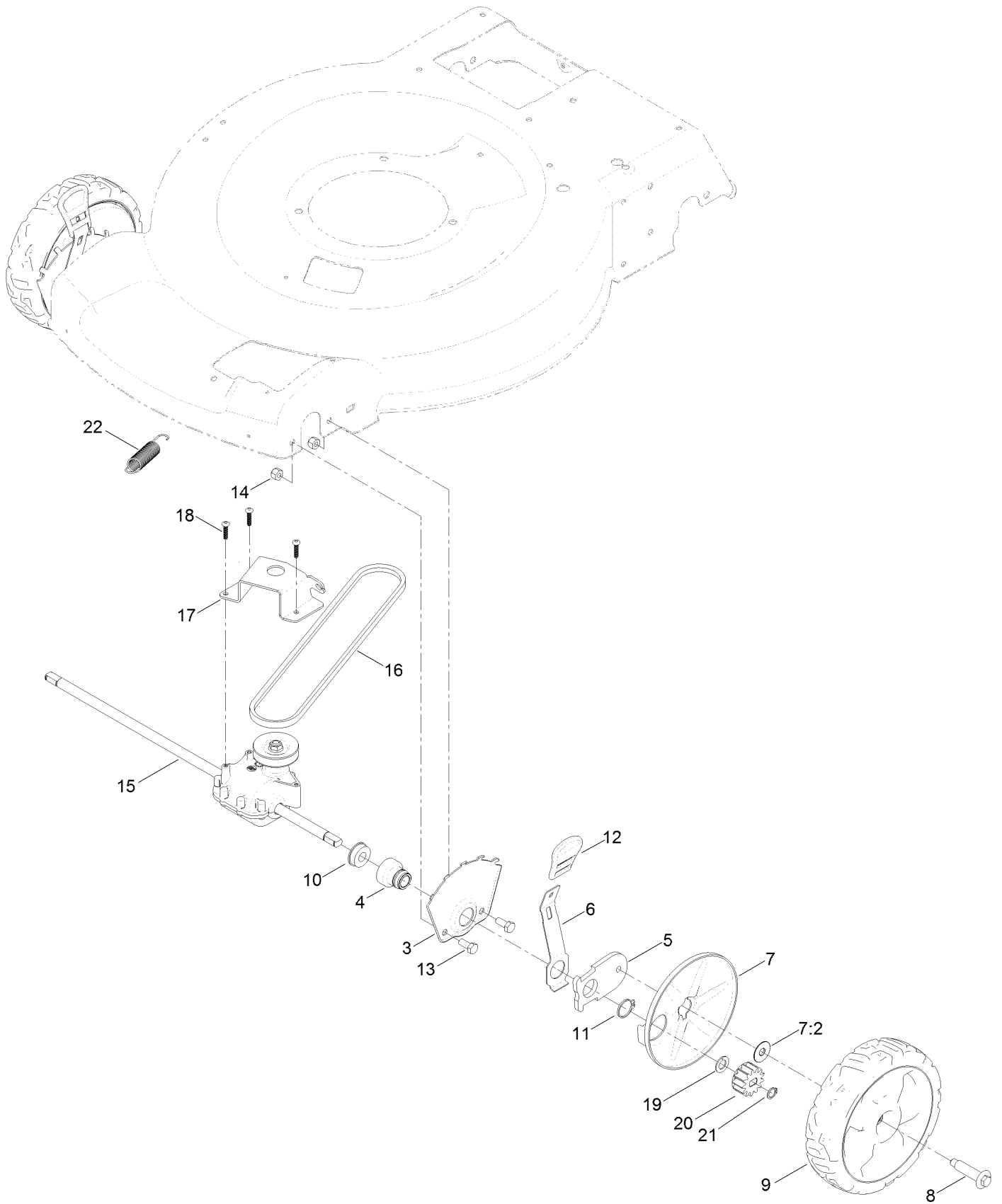


Engine and Blade Assembly (continued)

<i>Ref.</i>	<i>Part Number</i>	<i>Qty.</i>	<i>Description</i>	<i>Ref.</i>	<i>Part Number</i>	<i>Qty.</i>	<i>Description</i>
1		1	Engine-Briggs, 104M020010F1 ●	11	130-6702-03	1	Guide-Belt
5	106-3999	1	Spacer-Driver	12	95-1726	3	Screw-Taptite
6	130-6705	1	Driver-Blade	13	130-6709	1	Cover-Belt (Rear)
7	108-9764-03	1	Blade-22 Inch	14	46-8091	2	Screw-HWH
8	108-3766-03	1	Support-Blade	20	131-4518	1	Decal-Shroud, Briggs
10	125-2466	1	Bolt-Blade	21	117-2718	1	Decal-Arrester, Spark

● Not serviced separately

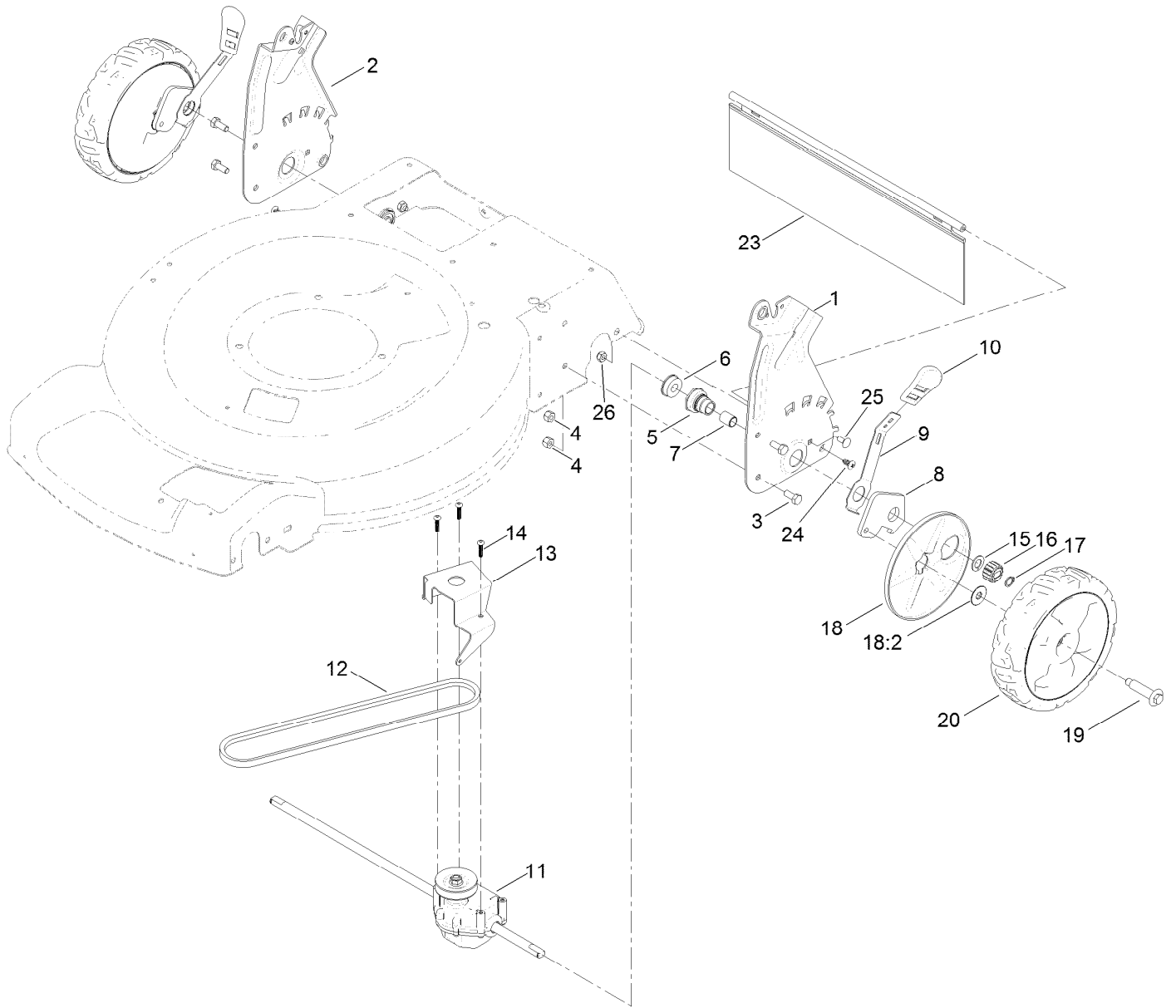
Transmission and Front Wheel Drive Assembly



Transmission and Front Wheel Drive Assembly (continued)

<i>Ref.</i>	<i>Part Number</i>	<i>Qty.</i>	<i>Description</i>	<i>Ref.</i>	<i>Part Number</i>	<i>Qty.</i>	<i>Description</i>
3	115-1956-03	2	Plate-HOC, Front	13	322-3	4	Screw-HH
4	131-0836	2	Retainer-Bearing, HOC	14	3296-29	4	Nut-Lock, NI
5	105-1807	2	Arm-Pivot, Front	15	121-9180	1	Transmission ASM
6	105-1809	2	Arm-Spring	16	71-9450	1	V-Belt
7	131-4513	2	Wheel Cover ASM	17	114-7978-03	1	Bracket-Transmission
7:2	614426	1	Washer-Stepped	18	108-7476	3	Screw-Plastite
8	614650	2	Bolt-Shoulder	19	110-7191	2	Washer-Thrust
9	130-6711	2	8 Inch Wheel ASM (Front)	20	131-0896	2	Gear-Pinion, 13T
10	104-8699	2	Bearing-Ball	21	32151-61	2	Ring-Retaining
11	32151-36	2	Ring-Retaining	22	131-4560	1	Spring-Extension
12	110-0549	2	Knob-HOC				

Height-of-Cut and Rear Wheel Assembly



Height-of-Cut and Rear Wheel Assembly (continued)

<i>Ref.</i>	<i>Part Number</i>	<i>Qty.</i>	<i>Description</i>	<i>Ref.</i>	<i>Part Number</i>	<i>Qty.</i>	<i>Description</i>
1	127-6877-03	1	Plate-Rear, LH (HOC)	14	108-7476	3	Screw-Plastite
2	127-6878-03	1	Plate-Rear, RH (HOC)	15	110-7191	2	Washer-Thrust
3	322-3	4	Screw-HH	16	131-0875	2	Gear-Pinion, 15T
4	3296-29	4	Nut-Lock, NI	17	32151-61	2	Ring-Retaining
5	108-9779	2	Retainer-Bushing, HOC	18	131-4513	2	Wheel Cover ASM
6	104-8699	2	Bearing-Ball	18:2	614426	1	Washer-Stepped
7	108-9782	2	Bushing-Sleeve	19	614650	2	Bolt-Shoulder
8	108-9781	2	Arm-Pivot, Rear	20	130-6714	2	8 Inch Wheel Gear ASM
9	108-9780	2	Arm-Spring	23	120-7012	1	Shield-Trailing
10	110-0549	2	Knob-HOC	24	117-1092	2	Screw-PTH
11	121-9178	1	Transmission ASM	25	3229-11	2	Screw-CARR
12	115-4669	1	Belt-V	26	3296-16	2	Nut-Lock, NI
13	114-7977-03	1	Bracket-Transmission				

Attachments and Accessories

For 20353 22in Recycler Lawn Mower

Product Name

Model/Part

22in Atomic Blade..... 59534P

Notes:

Notes:

Notes:



Count on it.