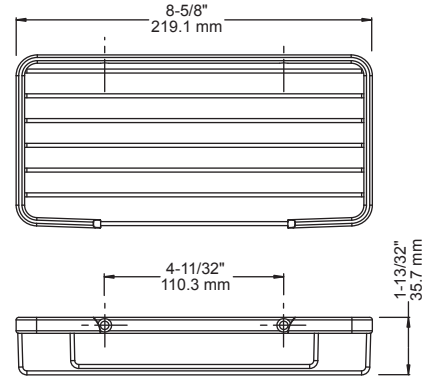
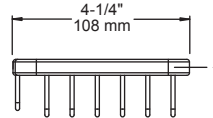
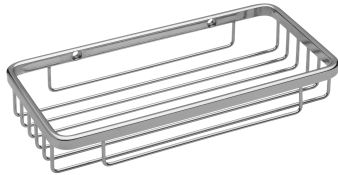


Guest Room Accessories

WIRE SOAP DISH



MATERIALS: Holder - Stainless Steel

INSTALLATION: Position wire soap dish on wall at desired location and mark hole locations with nail or punch. Mount holder with 2 - #8 x 1-1/4" round head zinc plated steel screws provided.

OPTIONAL FASTENER INFORMATION:

Wood blocking is preferable behind all wall surfaces. If wood blocking is not available, the following fasteners are suggested: Tile/Masonry - Plastic or Lead Anchors, Plaster/Drywall -Toggle Bolts.

SPECIFICATION: Surface mounted wire soap dish shall be model _____ (fill in model number) by Liberty Hardware Manufacturing Corporation.

FranklinBrass[®]
A Liberty Hardware Brand