



# FRIGIDAIRE

## Factory Parts Catalog

Product No.	FFRE1033S1A0	FFRE1033S1A1
Series	Compact II	Compact II
Color	white	white
Volts	115	115
BTU-Cooling	10000	10000
Owner's Guide	16120300A04629	16120300A04629
Installation Instructions	16120300A04443	16120300A04443
Market	North America	North America

### Frigidaire

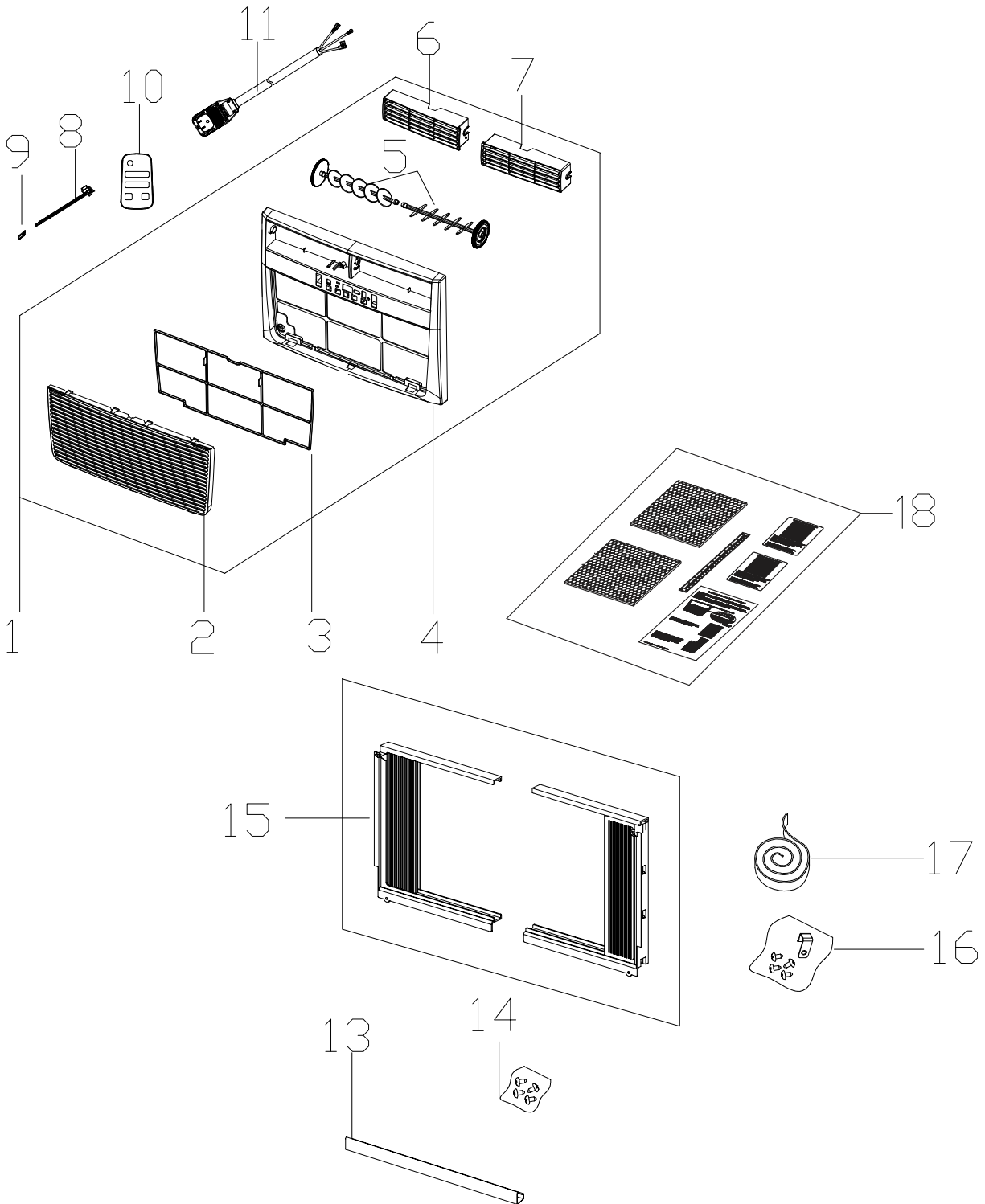
P.O. BOX 8020  
CHARLOTTE, NC 28262

### ROOM AIR CONDITIONER

Model No.  
FFRE1033S1A

Publication No.  
**5995675195**  
16/05/11  
(EN/SERVICE/KC)  
099

**RECOMMENDED SPARE PARTS**



**FFRE1033S10-Spares**

### RECOMMENDED SPARE PARTS

---

*Model Index:*    A FFRE1033S1A (FFRE1033S1A0)  
                           B FFRE1033S1A (FFRE1033S1A1)

POS. NO	PART NO.		DESCRIPTION
1 #	5304476848	A B	Front Assembly, complete panel
2	5304476793	A B	• Panel, front grille, tilt-out
3 #	5304476794	A B	• Filter, air, plastic frame
4	5304476849	A B	• Frame, front assembly
5 #	5304476796	A B	• Louver, vertical
6 #	5304476797	A B	• Louver, horizontal, left
7 #	5304476798	A B	• Louver, horizontal, right
8 #	5304476178	A B	Door, vent control, with lever
9 #	5304476179	A B	Sleeve, vent door assy, guide
10 #	5304476851	A B	Remote Control, transmitter
11 #	5304500884	A B	Power Cord, electric, LCDI
13	5304476199	A B	Rail, shutter track, top angle
14	5304472191	A B	Screw Kit, top rail mount
15	5304504883	A B	Window Filler Kit, slider panel
16	5304491953	A B	Hardware, mounting, screws/locks
17	5304472211	A B	Seal Kit, foam, sash filler
18	5304504884	A B	Panel, insulation, R1

**WIRING DIAGRAM**

**MSII/COMI/COMII Electronic with Ionizer --- 202021190024**

