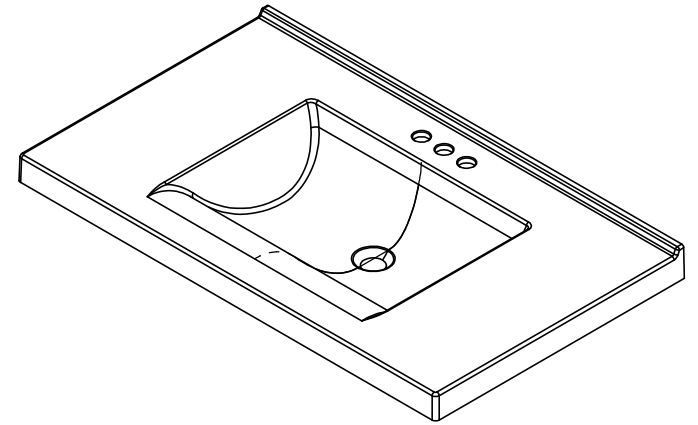
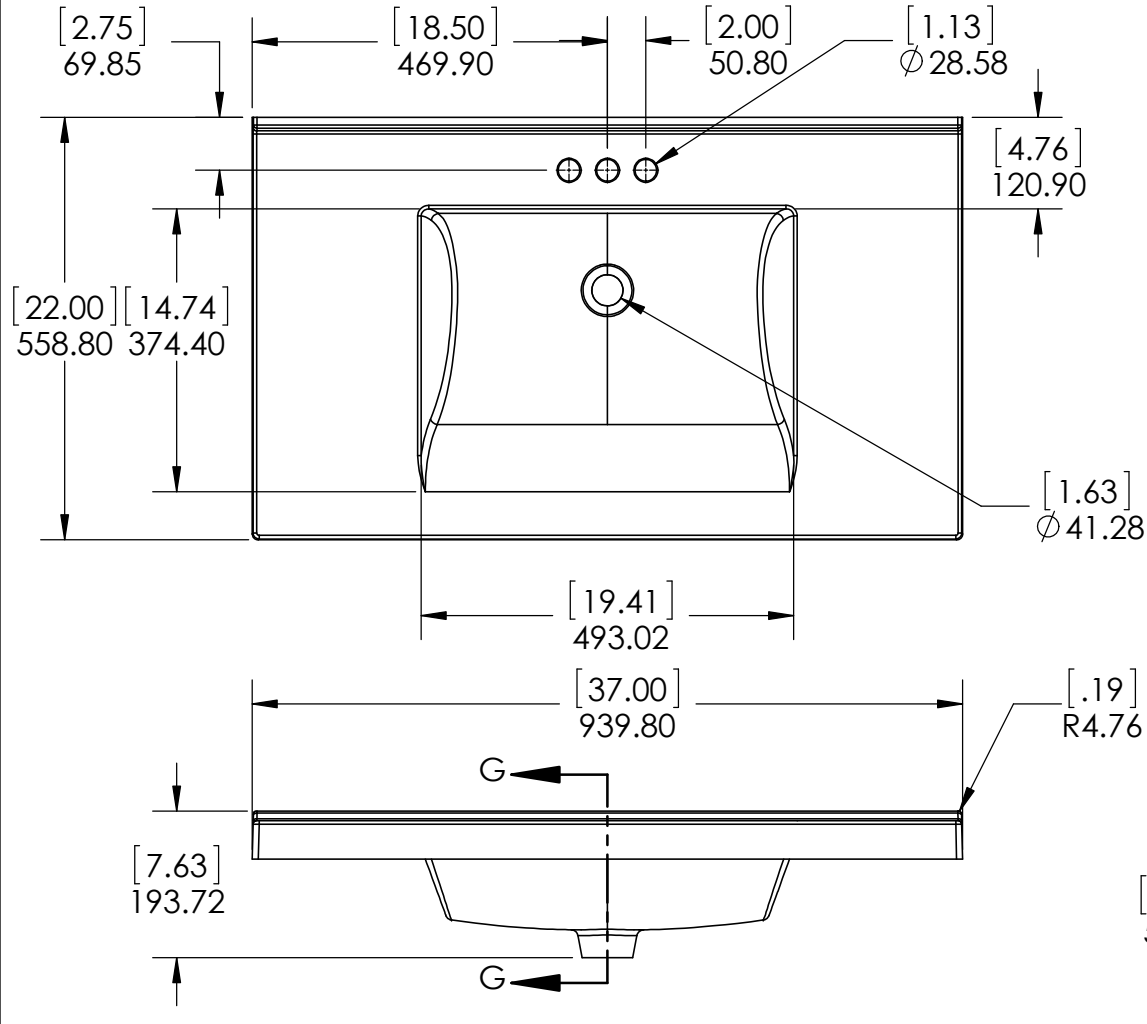


| DRAWING TYPE | ITEM ID | ITEM DESCRIPTION | TECHNOLOGIES | DRAWING STATUS |
|--------------|------------|----------------------------------------------------|--------------|----------------------|
| Finish Good | HU3722R-WH | Vtop Wave 37 x 22 4 in | AB Composite | Ready for production |
| Finish Good | HU37R-WH | Glacier Bay in. Cultured Marble Vanity Top - White | AB Composite | Ready for production |

| REV | ECO # | DESCRIPTION | REV'D BY DATE | CHK'D BY DATE | APRV'D BY DATE |
|-----|-------|------------------|---------------|---------------|----------------|
| 1 | | New Design | 4/01/16 | 4/01/16 | 4/01/16 |
| 2 | | New item, Online | 2/06/18 | 2/06/18 | 2/06/18 |



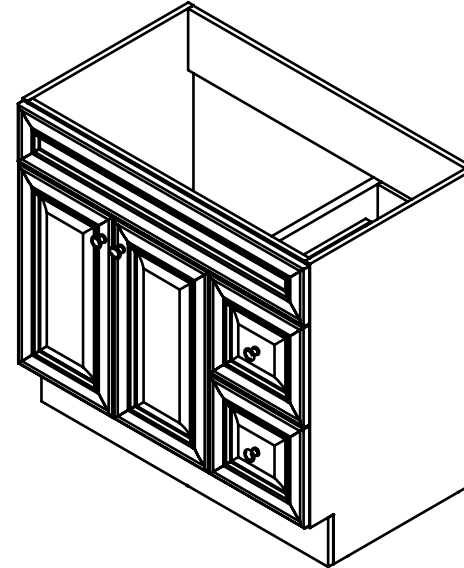
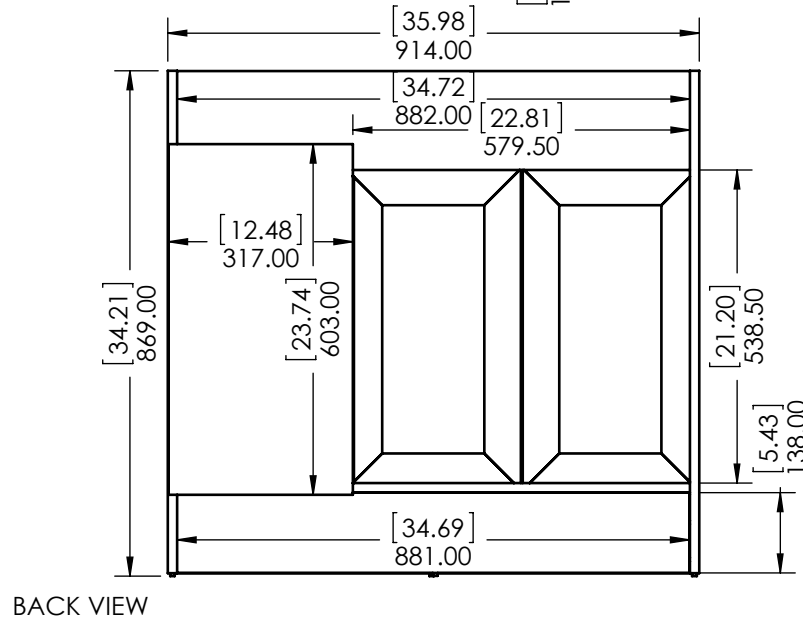
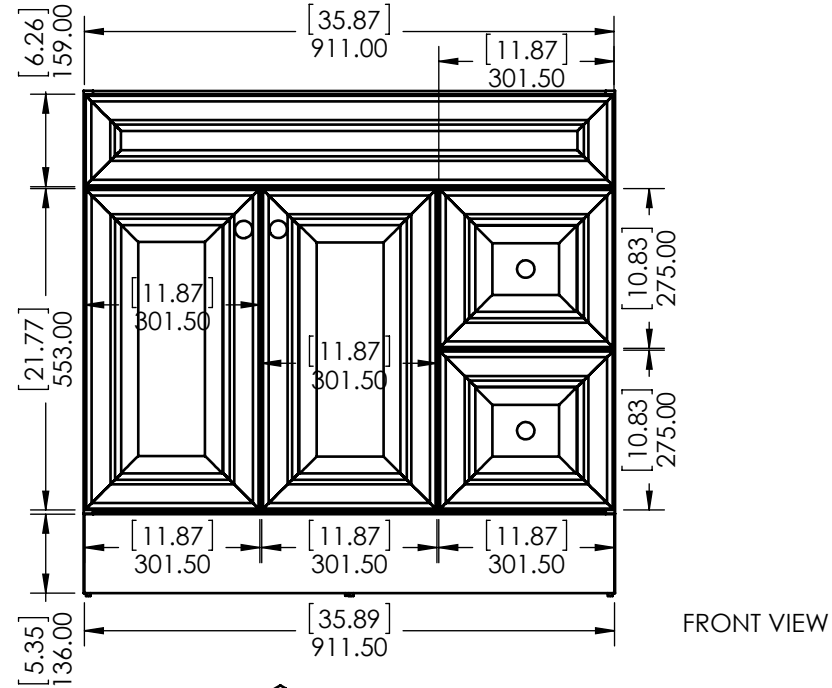
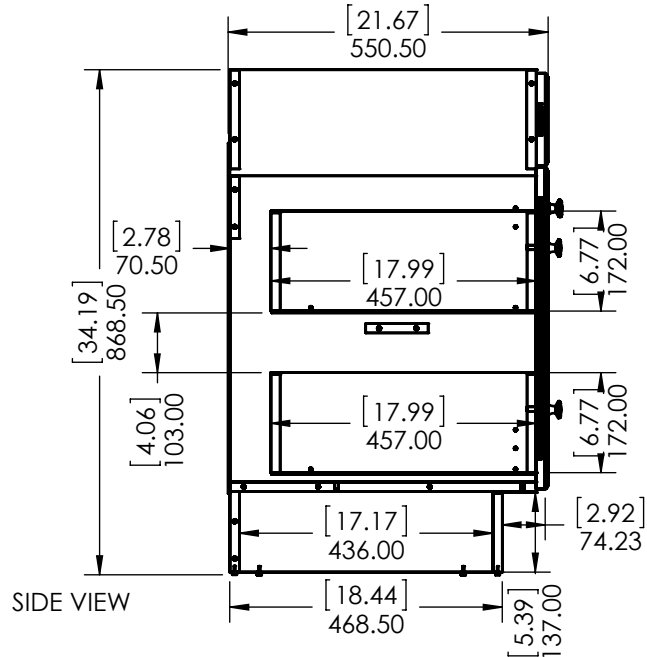
Estimated Weight: 16.5kg

| PROPRIETARY AND CONFIDENTIAL | | UNLESS OTHERWISE SPECIFIED | | NAME | | DATE | | |
|--------------------------------------------------------------------------------------------------------------------------------------------------------------------------------------|--|------------------------------------|--|-----------|--|---------------------|--------------|--|
| THE INFORMATION CONTAINED IN THIS DRAWING IS THE SOLE PROPERTY OF WOODCRAFTERS. ANY REPRODUCTION IN PART OR AS A WHOLE WITHOUT THE WRITTEN PERMISSION OF WOODCRAFTERS IS PROHIBITED. | | DIMENSIONS ARE IN MM. AND (INCHES) | | DRAWN | | E. Sandoval 4/01/16 | | |
| | | TOLERANCES ARE | | CHECKED | | O. Razo 2/06/18 | | |
| | | + 0.125 [3.175] - 0.125 [-3.175] | | ENG APPR. | | V. Sanchez 2/06/18 | | |
| | | SCALE:1:10 | | MFG APPR. | | C. Leal 2/06/18 | | |
| | | | | SIZE | | DWG. NO. | | |
| | | | | A | | Vtop Wave 37x22 | | |
| | | | | | | | SHEET 1 OF 1 | |
| | | | | | | | REV: 1 | |



| ITEM ID | DESCRIPTION |
|-----------|------------------------------------------------|
| GF3621-WH | Glensford 36in x 21in D Vanity in White |
| GF3621-BT | Glensford 36in x 21in D Vanity in Butterscotch |

| REV | ECO# | DESCRIPTION | REV'D BY DATE | CHK'D BY DATE | APR'D BY DATE |
|-----|------|-------------|---------------|---------------|---------------|
| 0 | | New Release | IASV 5/1/17 | IASV 5/1/17 | IASV 5/1/17 |



| | | | | |
|----------------------------------------------------------------------------------------------------------------------------------------------------------------------------------------------------------------------------------------------------------------------|-------------------------------------------------------------------------------------------------------|------------------------------------------|---------------------------------------------|--------|
| PROPRIETARY AND CONFIDENTIAL THE INFORMATION CONTAINED IN THIS DRAWING IS THE SOLE PROPERTY OF WOODCRAFTERS HOME PRODUCTS L.L.C. ANY REPRODUCTION IN PART OR AS A WHOLE WITHOUT THE WRITTEN PERMISSION OF WOODCRAFTERS HOME PRODUCTS L.L.C. IS PROHIBITED. | UNLESS OTHERWISE SPECIFIED DIMENSIONS ARE IN mm and [inches] AND TOLERANCES ARE +/- 1.0 [0.04] | DRAWN BY: IASV 5/1/17 | TITLE: GLENSFORD 36" ASSEMBLY | |
| | | CHECKED BY: IASV 5/1/17 | | |
| | | APPROVED BY: IASV 5/1/17 | | |
| | | DO NOT SCALE DRAWING SCALE: 1:10 SIZE: A | | |
| | | PART NO: | PAGE 1 OF 1 | REV: 0 |

