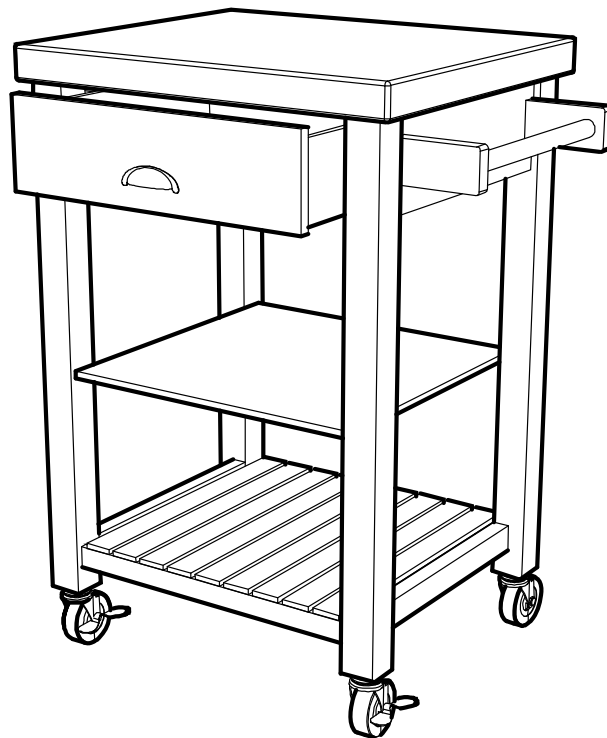


# ASSEMBLY INSTRUCTION

ITEM#: 1203060005-G



For any questions or issues about our product

Call Sunjoy Customer Service

**1(866) 578-6569**

anytime 24 hours 7 days a week

Country of Origin: China

## Safety Information

- Please follow the simple step-by-step assembly Instructions.
- Check and ensure all the parts, fittings and hardware are present before discarding any packaging.
- One or two people are required for this assembly.
- Please read all instructions carefully before assembly and usage. Basic safety precautions should always be followed to reduce the risk of personal injury and damage to equipment.
- Advisable to wear protective gloves during assembly.
- Assemble this product on the flat surface.
- Assemble all parts loosely before tightening any bolts.
- Retain this Assembly Instruction for future reference.



**CAUTION: Do not climb on top of the product. Falling off the product may result in serious injury.**

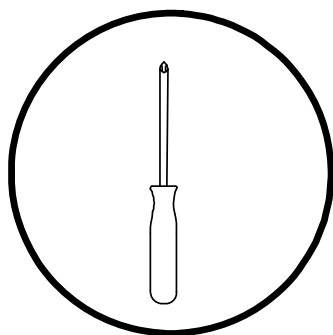
**NOTICE: For indoor use**

## Warranty: 1 Year

### WHAT IS COVER?

The limited warranty is extended to the original purchaser and applies to material and manufacturer's defect provided the item is maintained with care and used only for personal, residential purposes.

## TOOLS NEEDED



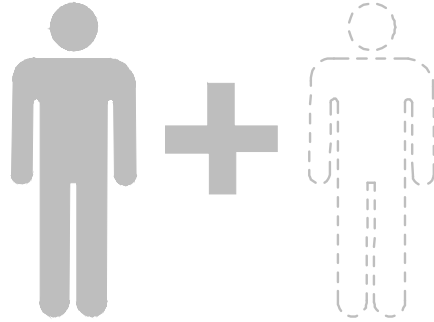
Country of Origin: China

Call 1(866)578-6569 for assistance.  
Or visit us at [www.sunjoyonline.com](http://www.sunjoyonline.com)

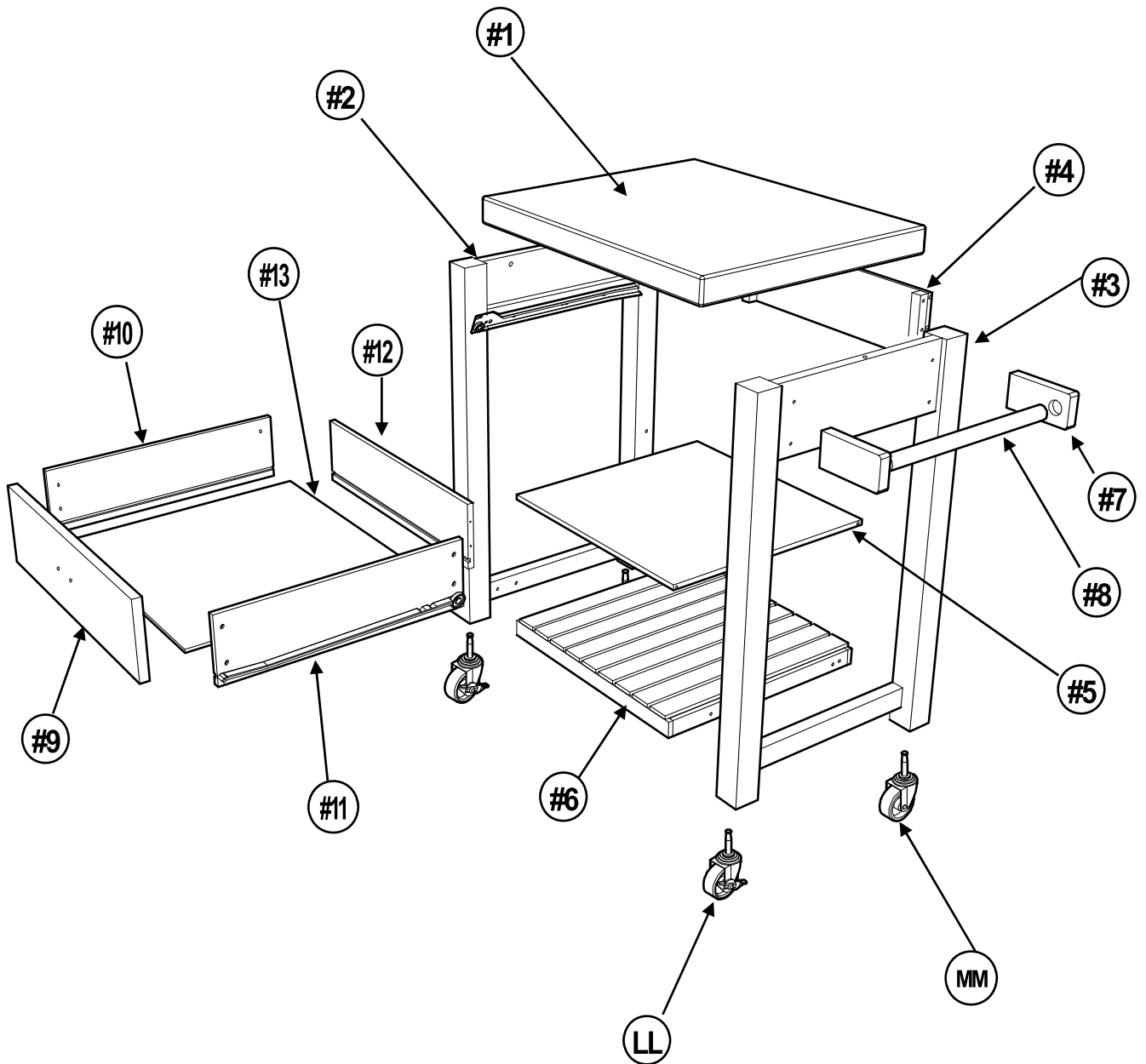
# IMPORTANT

KEEP THIS INSTRUCTION MANUAL FOR FUTURE REFERENCE.

ONE OR TWO PERSON IS/ARE NEEDED FOR THE INSTALLATION WORK.

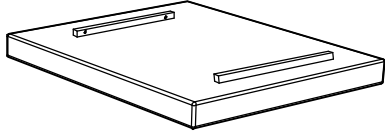
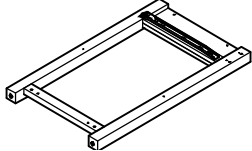
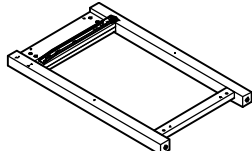
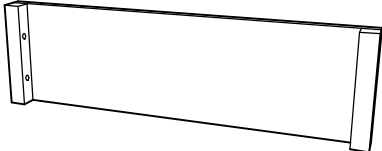
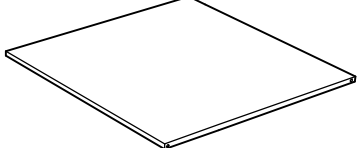

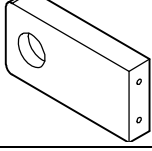
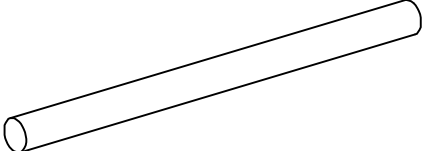
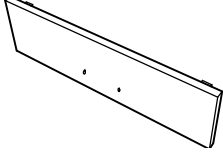


# EXPLODED DRAWING



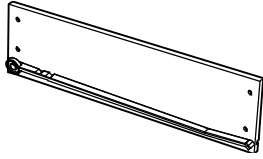
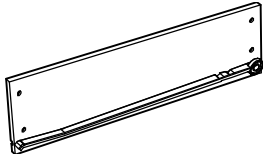
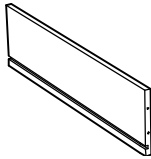
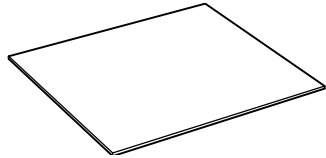
Country of Origin: China

Call 1(866)578-6569 for assistance.  
Or visit us at [www.sunjoyonline.com](http://www.sunjoyonline.com)

Parts List				
Part	Part Number	Description	Qty	Part Image
#1	P12301A10011	Table Top	1	
#2	P21101A10013	Left Panel	1	
#3	P21101B10013	Right Panel	1	
#4	P21201A10013	Back Panel	1	
#5	P11701A10013	Upper Shelf	1	
#6	P11702A10013	Bottom Shelf	1	
#7	P02102A10013	Towel Bar Holder	2	
#8	P02101A10013	Towel Bar	1	
#9	P21301A10013	Front Drawer Panel	1	

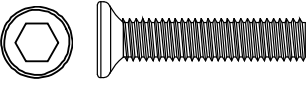
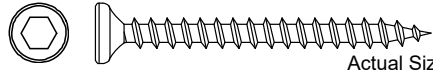
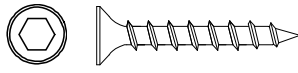



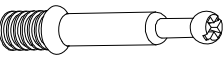



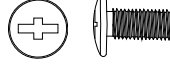


Country of Origin: China

Call 1(866)578-6569 for assistance.  
Or visit us at [www.sunjoyonline.com](http://www.sunjoyonline.com)

#10	P21302A10013	Left Drawer Panel	1	
#11	P21302B10013	Right Drawer Panel	1	
#12	P21303A10013	Back Drawer Panel	1	
#13	P21304A10013	Bottom Drawer Panel	1	

Country of Origin: China

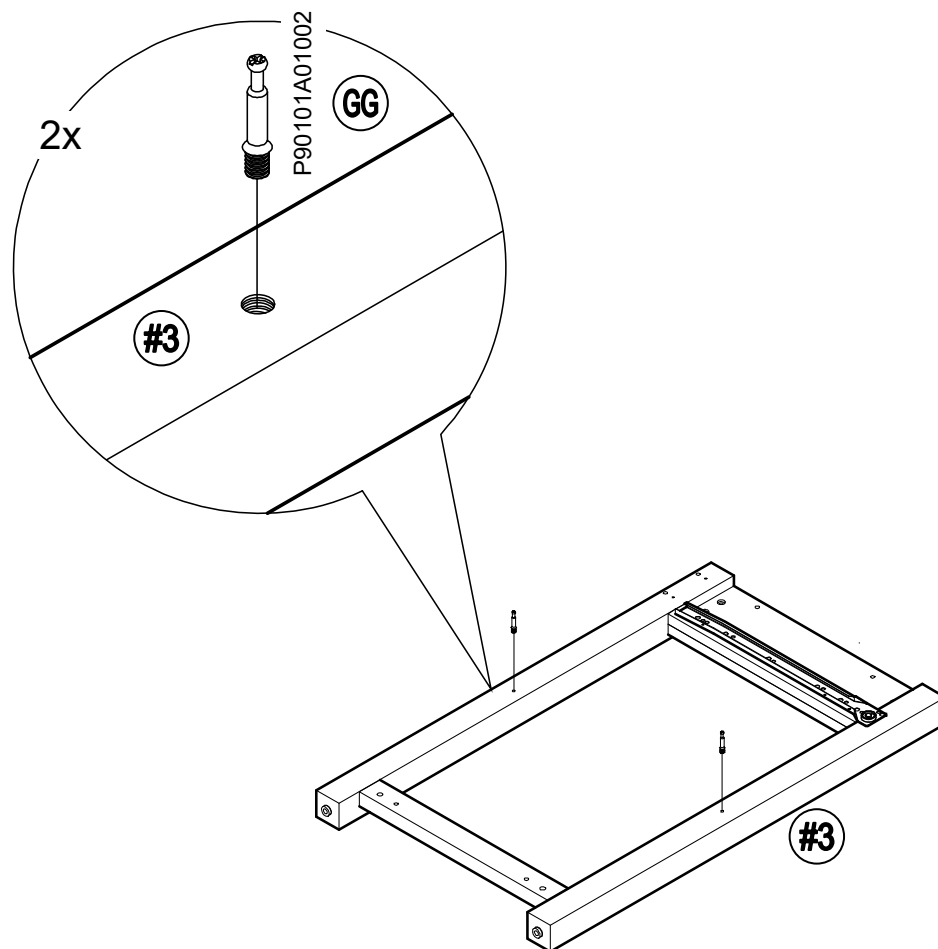
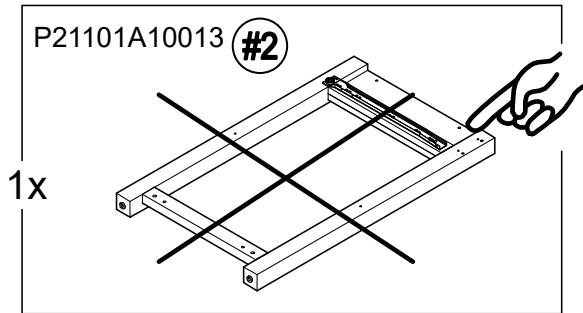
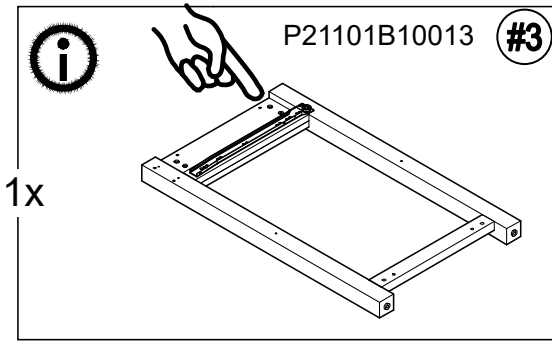
Call 1(866)578-6569 for assistance.  
Or visit us at [www.sunjoyonline.com](http://www.sunjoyonline.com)

Hardware Pack						
Part	Part Number	Description	Qty	Add Hardware	Part Image	
AA	H06030C12	Bolt M6*30	4	1		Actual Size
BB	H08047K13	Screw M5*47	4	1		Actual Size
CC	H11030J12	Screw M4*30	16	4		Actual Size
DD	P90401A10000	Dowel Ø6*30	10	2		
EE	H13001C12	Spring Washer M6	4	1		
FF	H12001C12	Flat Washer M6	4	1		
GG	P90101A01002	Cam Bolt M6*32	4	1		
HH	P90101B01002	Cam Ø15*12	4	1		
II	P90001A01004	Handle	1	0		
JJ	H00002C13	Allen Key Size 4	1	0		
KK	H09010A14	Bolt M4*10	2	1		Actual Size
LL	P90301A01002	Caster Wheel With Lock	2	0		
MM	P90301B01002	Caster Wheel	2	0		

Country of Origin: China

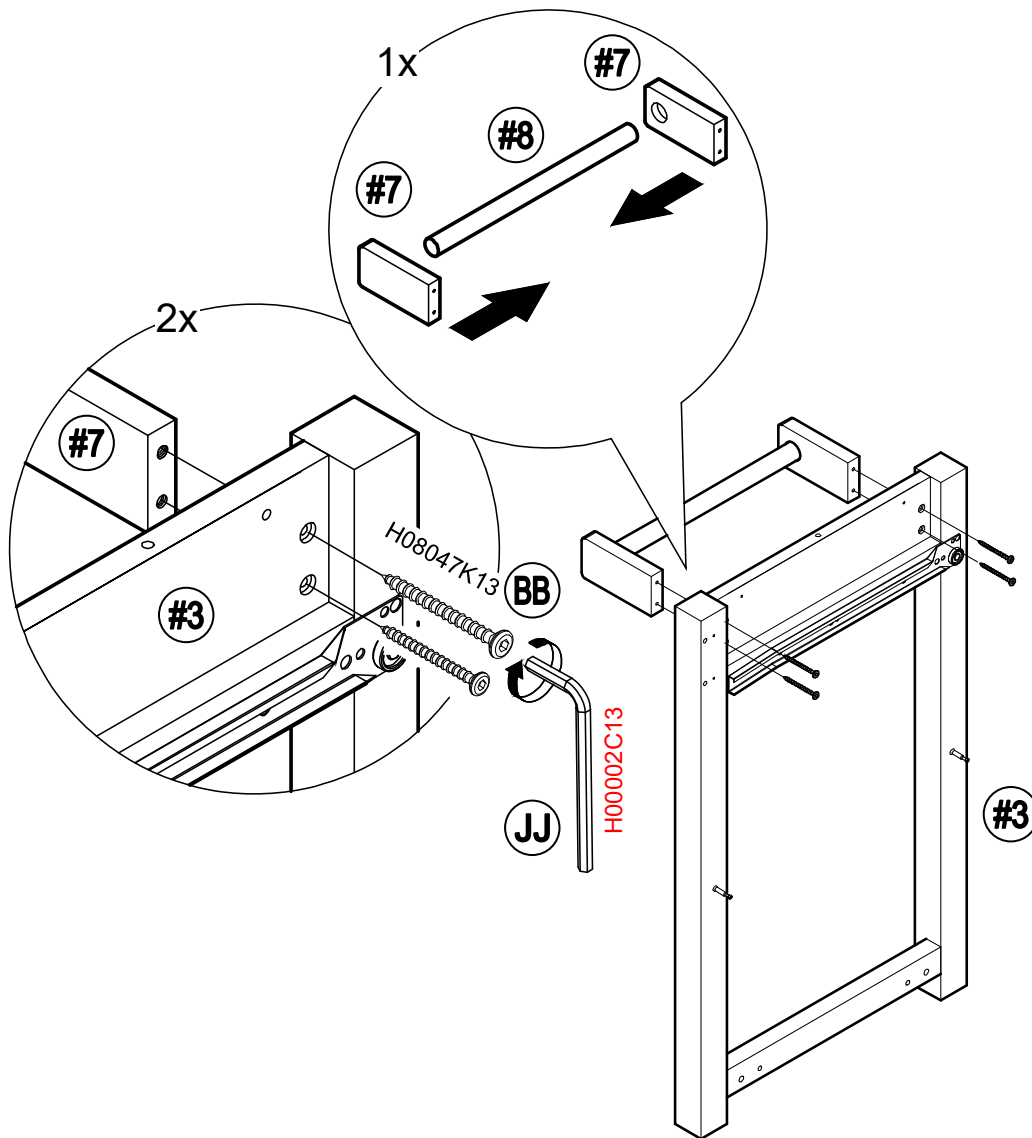
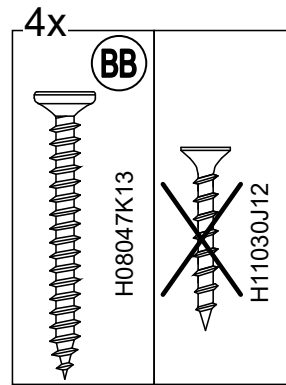
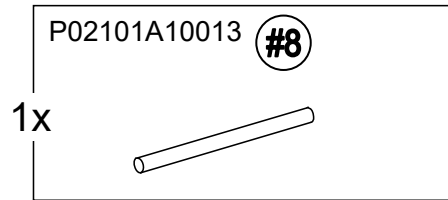
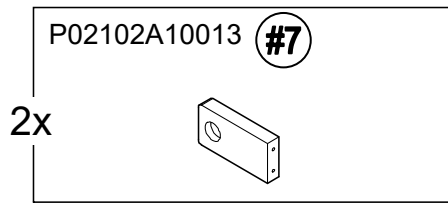
Call 1(866)578-6569 for assistance.  
Or visit us at [www.sunjoyonline.com](http://www.sunjoyonline.com)

# STEP 1 :Inserting the Cam Bolts

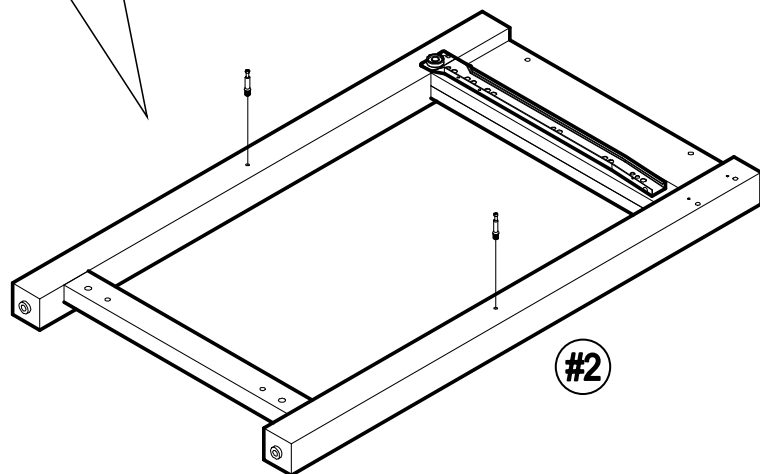
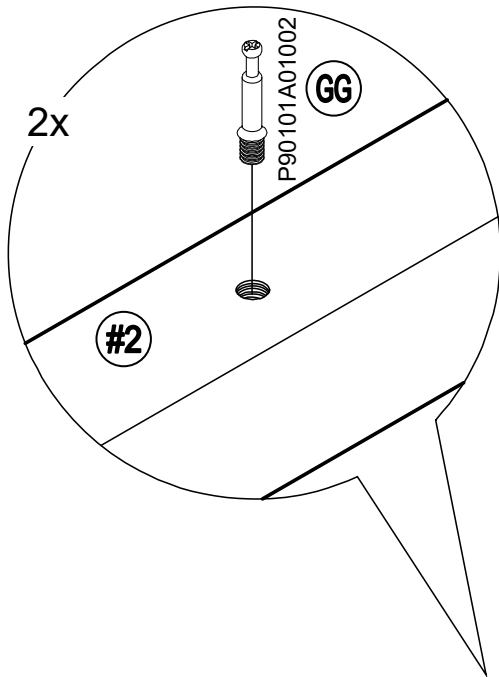
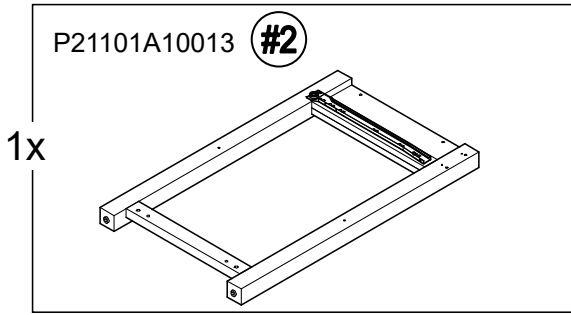




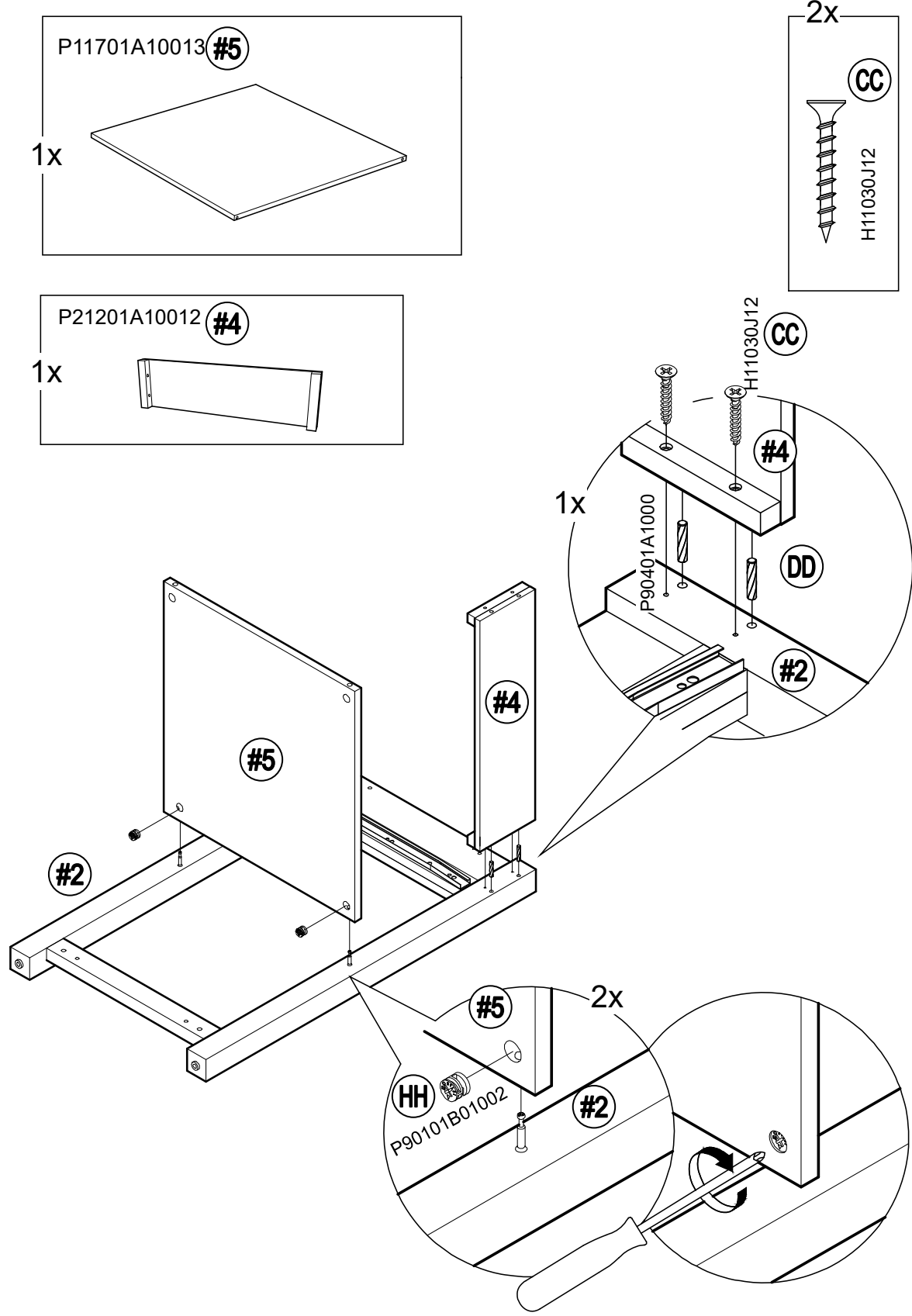
# STEP 2 : Assembling the Towel Bar



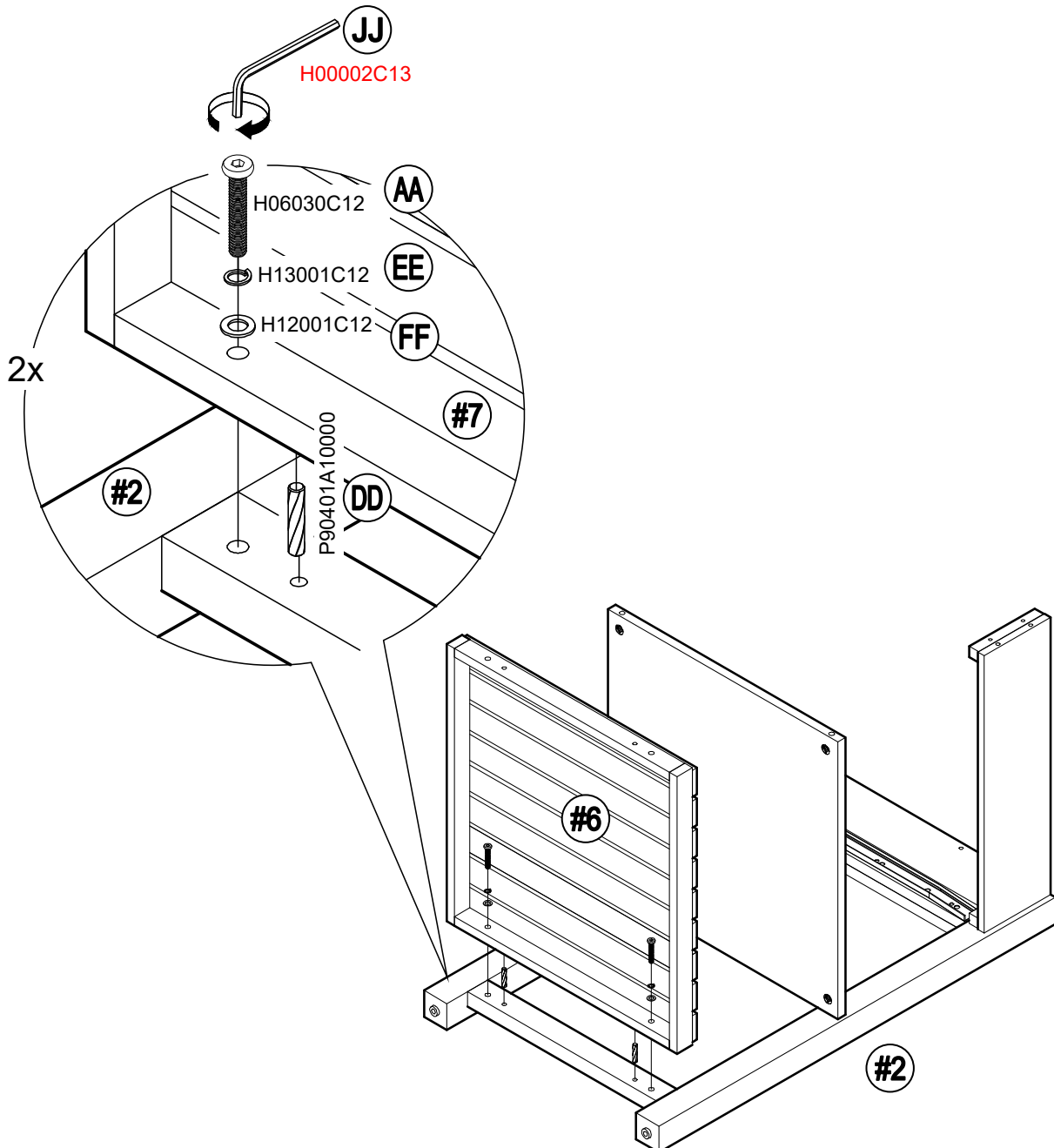
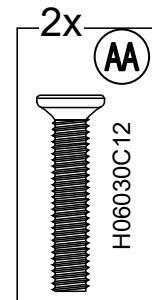
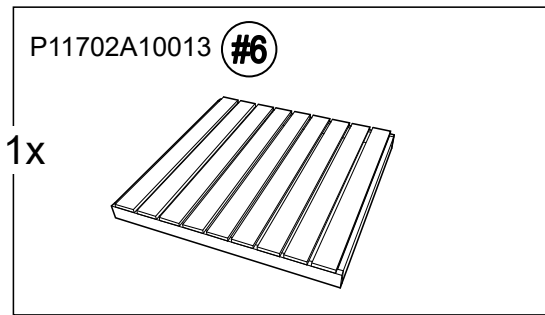
### STEP 3 : Connecting the Towel Bar



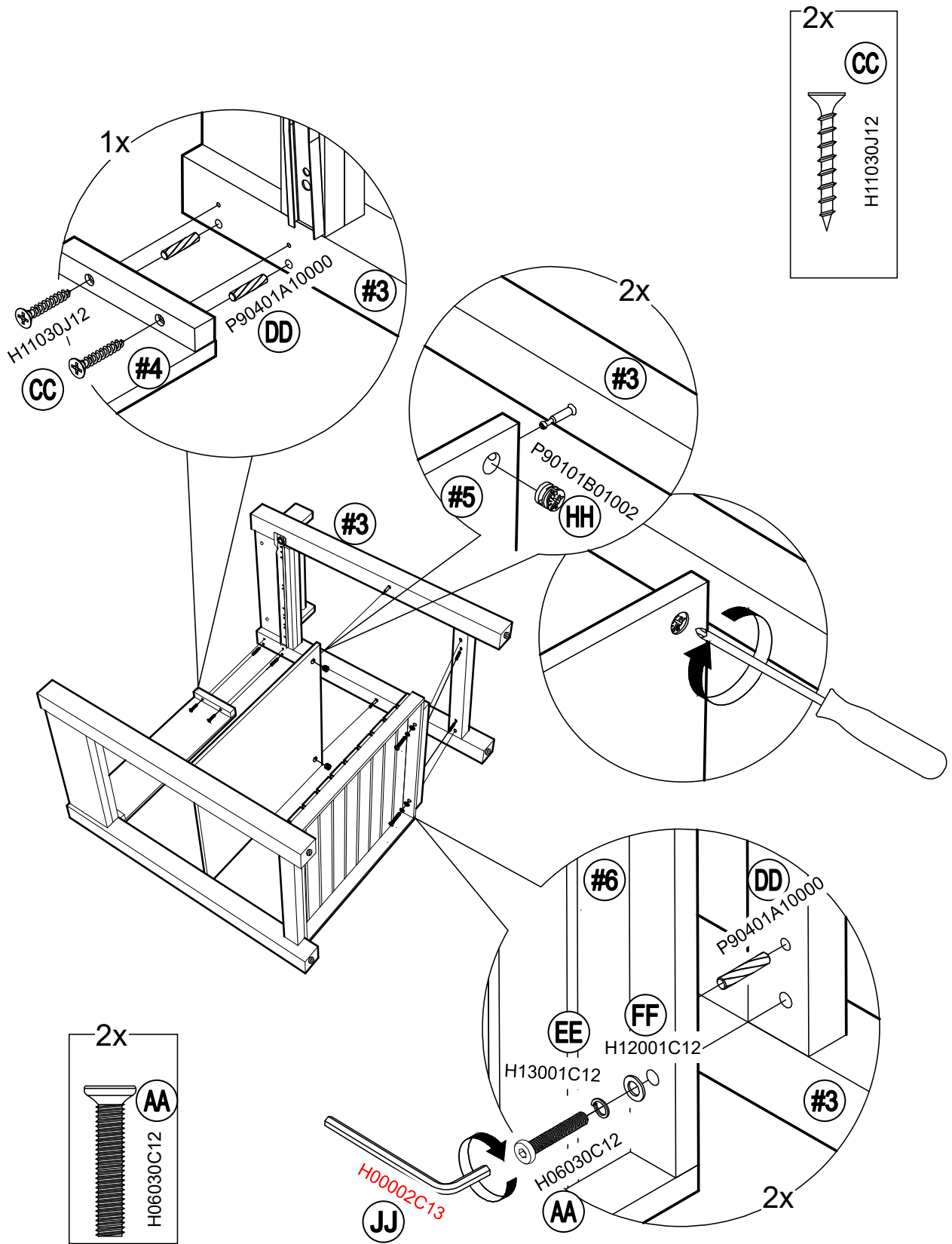
# STEP 4 : Attaching the Back Panel and Upper Shelf



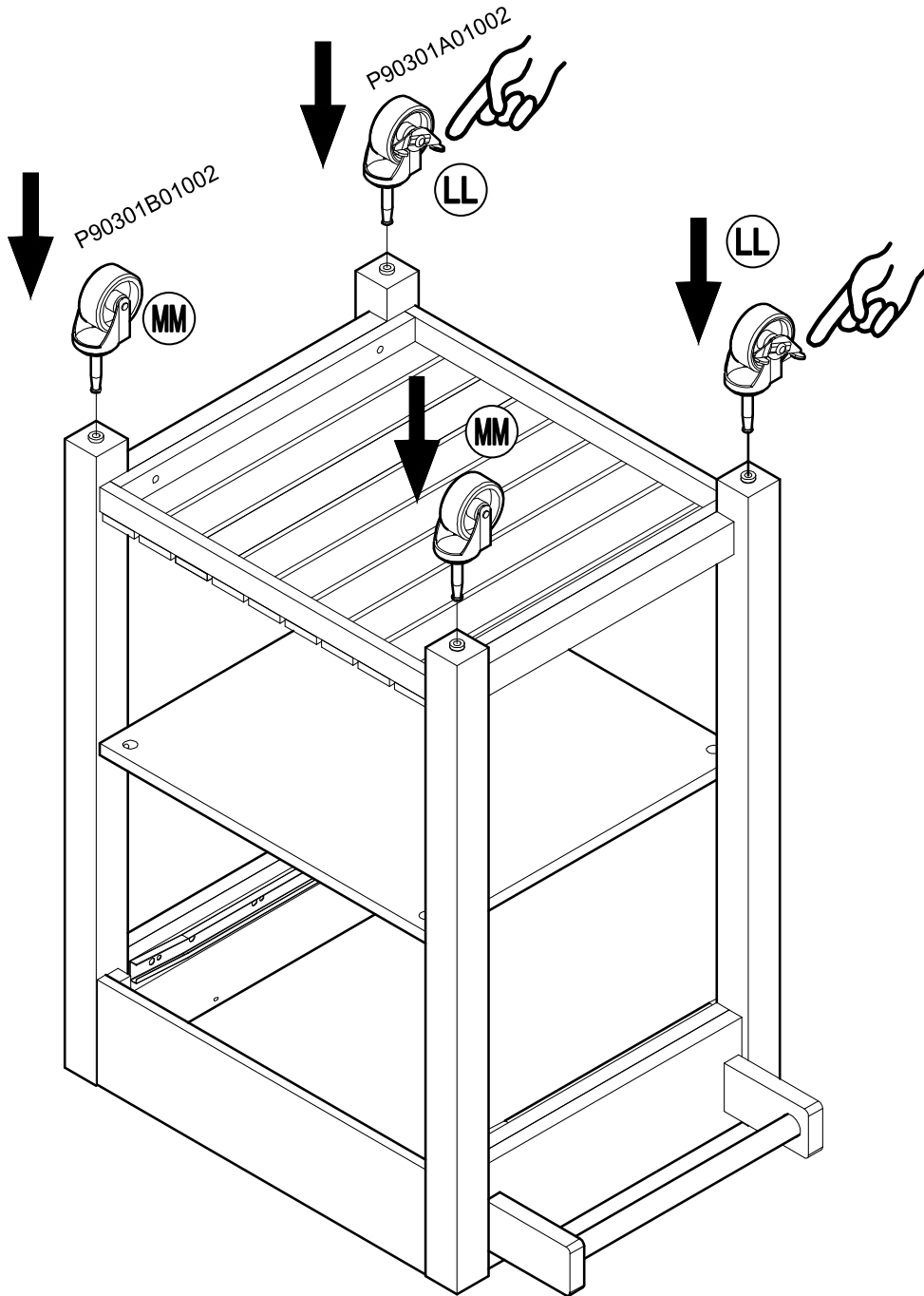
# STEP 5 : Attaching the Bottom Shelf



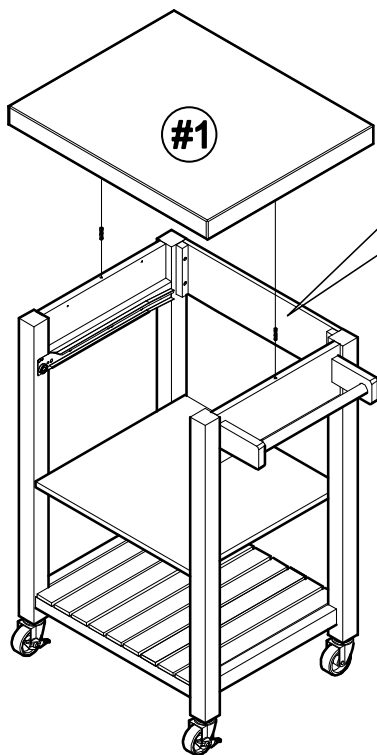
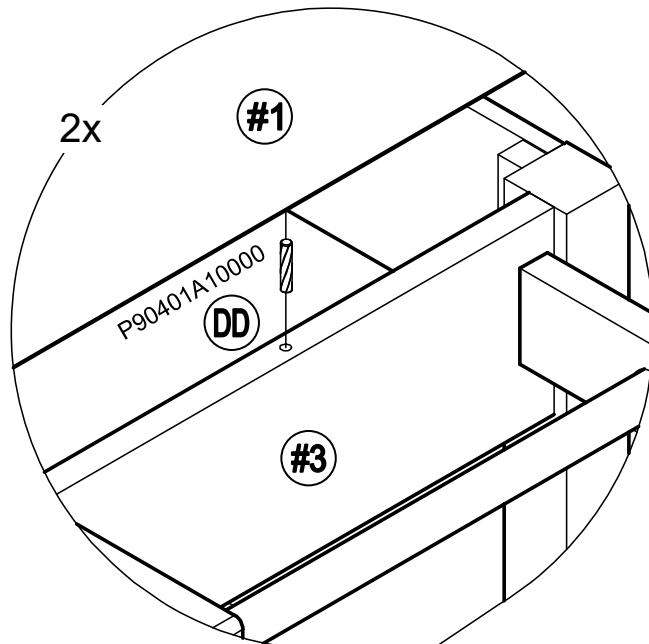
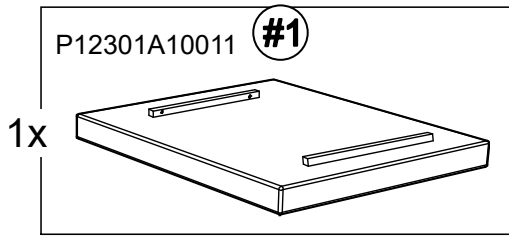
# STEP 6 : Attaching the Right Panel



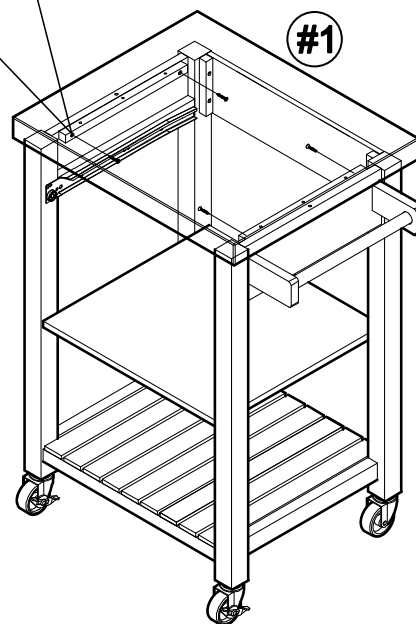
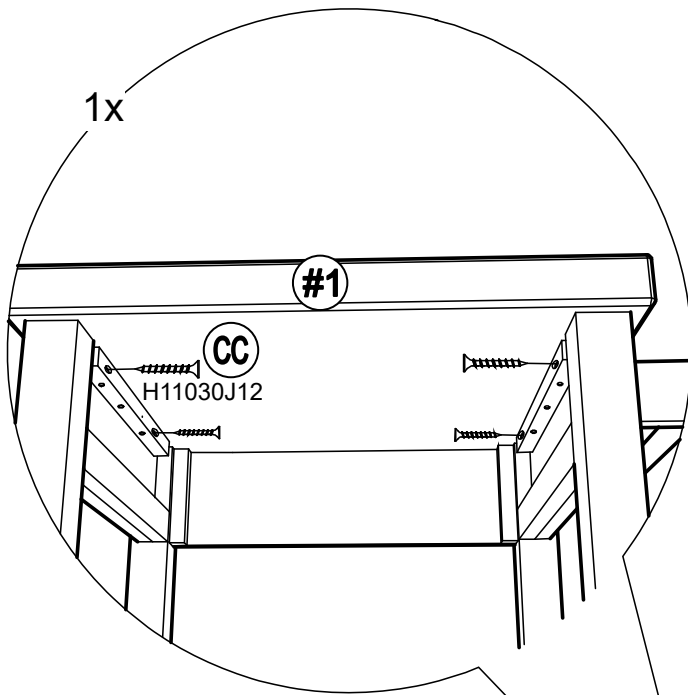
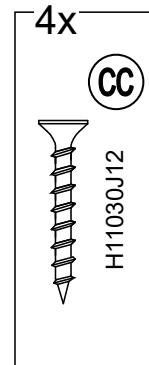
**STEP 7 : Attaching the Caster Wheels**



# STEP 8: Attaching the Table Top

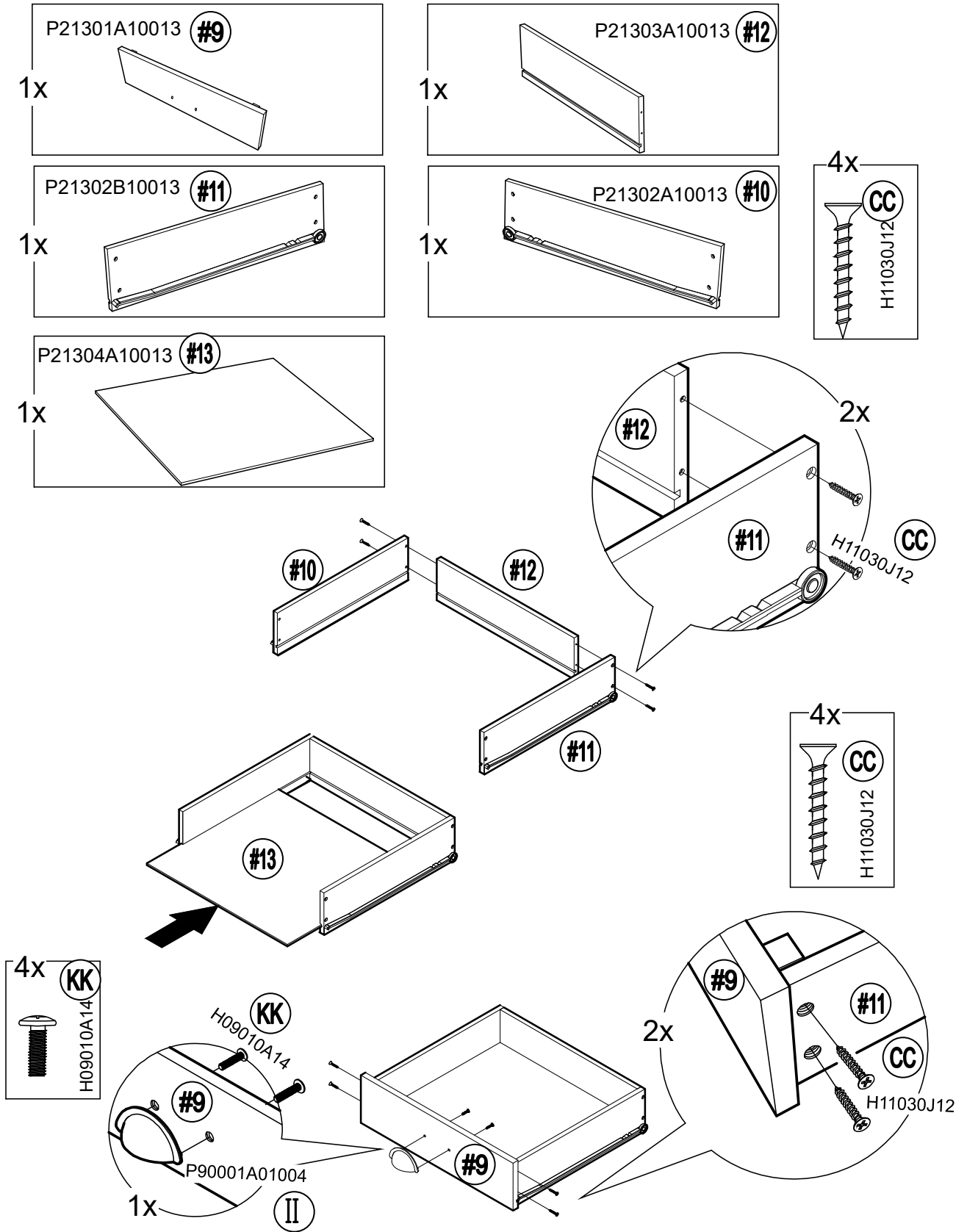


**STEP 9 : Securing the Table Top**

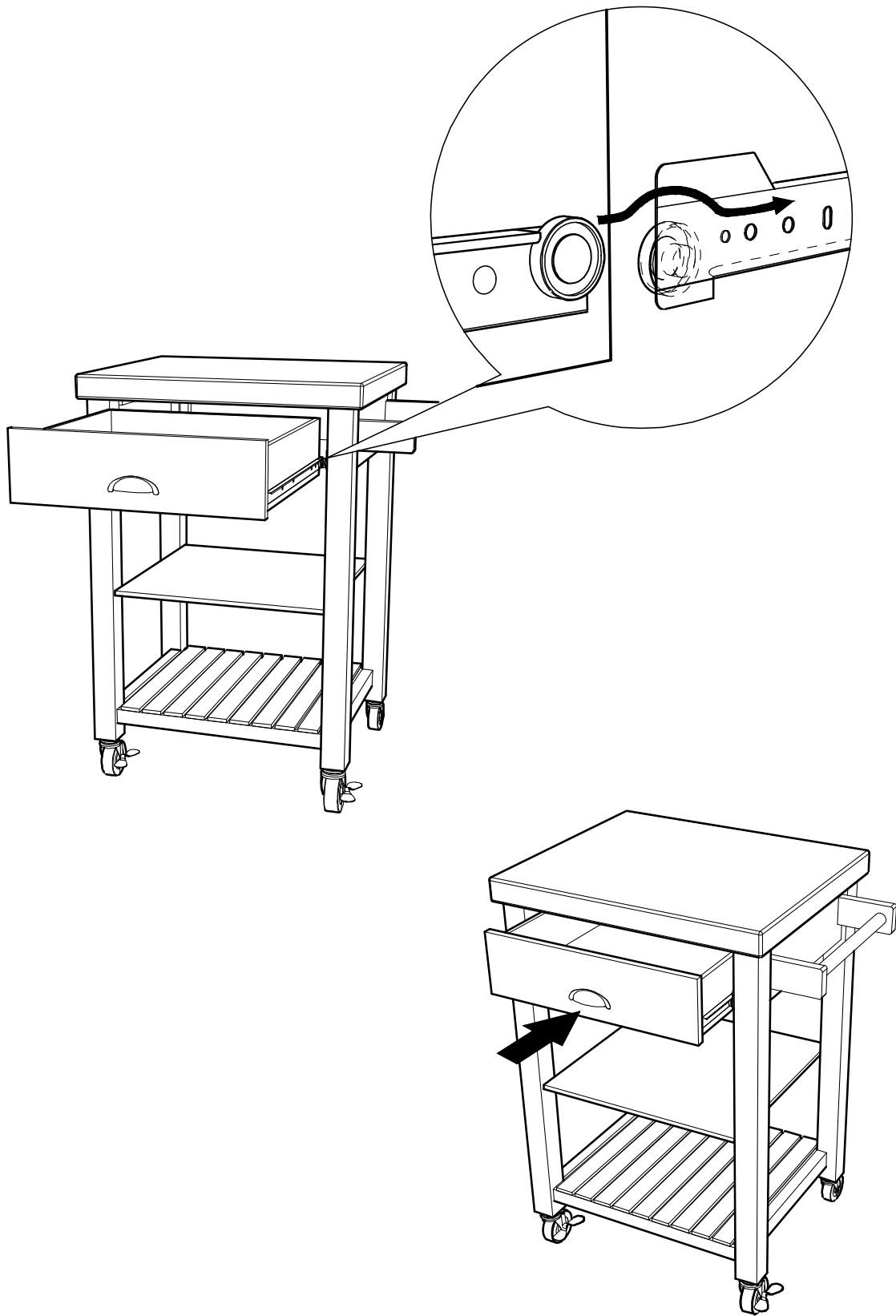




# STEP 10 : Attaching the Drawer



**STEP 11 : Placing the Drawer**



## Care and Maintenance

- Wood is a natural material. The appearance of the wood will age with time when it is exposed to extreme weather. A surface coating is vital to protect it from premature aging or splitting.
- The finish should be regularly maintained to ensure that the wood is protected from moisture and the furniture continues to look its best
- Apply wood oil on the product surface with a clean cloth every 6 weeks or earlier depending on weather conditions.
- Treat all surfaces of the product including the 'hard to get to' and hidden surfaces with extra attention given to the joints and end grains.
- Protect this product from severe weather and store it under cover during winter with a liberal coat of wood oil.
- Before using, clean the product completely with soft, dry towel. When not in use, wipe free of any dirt or loose dust, wash with a mild solution of soap and water; rinse thoroughly and dry completely.
- Do not use strong detergent or abrasive cleaners
- Moisture and heat can damage any wood finish. Protect your furniture surface by using coasters and trivets. Always wipe up moisture promptly and dry with a soft cloth.
- Protecting furniture from natural elements. When not in use, protection covering are highly recommended.
- Avoid dragging sharp or rough objects across the surface of your wood furniture. Use adhesive felt pads, trivets, coasters and placemats to help prevent scratches.
- Wood will expand and contract with seasonal humidity changes.
- Over time, air and sunlight will change the colour of natural wood. Occasionally rotate the items placed on your wood furniture to allow a more uniform colour to develop.
- Care for your wood furniture according to its finish.
- Clean with damp cloth whenever necessary.
- Periodically check and ensure that all bolts are well-tighten during use
- Should any scratching or damage occur, we recommend immediate touch-up oil or appropriate touch-up paint.

## Limited Manufacturer's Warranty

Sunjoy Group warrants to the original purchaser that this item is free from defects in workmanship and materials for a period of **1 year** from the date of purchase, provided the item was factory-sealed at the time of purchase and is maintained with care and used only for personal, residential purposes. Should any manufacturing defect arise within this warranty period, Sunjoy Group will replace (at our option) any defective merchandise or parts upon proof of purchase; however, transportation and delivery costs, as well as payments to a third party for assembly or disassembly of the item, remain the responsibility of the purchaser. A purchaser of an "open box," previously-returned, or "clearance" item, as well as original purchasers outside of the warranty period, may obtain replacement parts from Sunjoy Group for products in current production, at nominal cost.

## Exclusions:

Items used for commercial, contract, or other non-residential purposes, or items damaged due to acts of nature, vandalism, misuse, or improper assembly are not covered. Corrosion or rusting of hardware is not covered. Proof of purchase (dated register receipt) is required for warranty claims. Warranty is to the original purchaser and is non-transferable. Any replacement of warranted items will be in the original style and color, or a similar style and color if the original is unavailable or has been discontinued. As some states do not allow exclusions or limitations on an implied warranty, the above exclusions and limitations may not apply. This warranty gives you specific rights, and you may also have other rights, which vary from state to state.

**Country of Origin: China**

**Call 1(866)578-6569 for assistance.  
Or visit us at [www.sunjoyonline.com](http://www.sunjoyonline.com)**