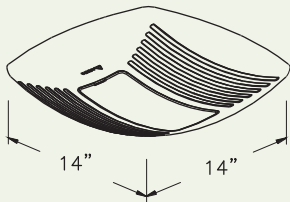
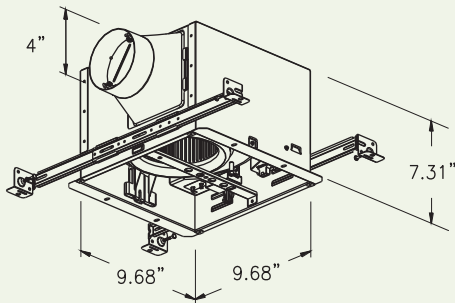




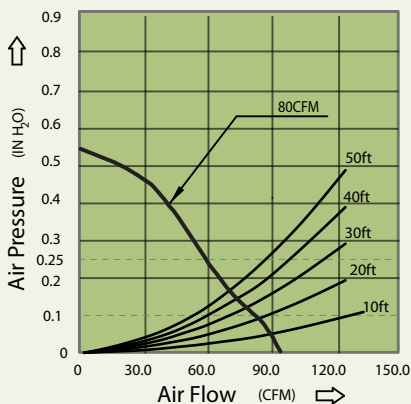
Delta BreezSignature G2 Ventilation Fan/Light Combo Specifications

SIG80L
(80 CFM)

Dimensions



Fan Curve



Description

Low noise ceiling mount ventilating fan rated for continuous running. Evaluated by Underwriter Laboratories and conforms to both UL and cUL safety standards. ENERGY STAR® and Home Ventilating Institute (HVI) certifications are pending.

Motor/Blower

- Power rating of 120volts/60Hz
- DC brushless motor engineered to run continuously
- Motor equipped with thermal cutoff fuse
- Removable with permanently lubricated plug-in motor

Housing

- Galvanized steel body
- Detachable 4" diameter metal duct adapter
- Built-in backdraft damper
- Easy installation with expandable extension bracket

Grille

- Attractive design using ABS material

Light

- (1) GU24 26-watt compact fluorescent lamp included
- E12 4-watt night light included

Warranty

- 3-year limited warranty

Features

- Green LED indicator light when fan is running
- For ceiling mount only, airflow of 80 CFM ($\pm 10\%$), and < 0.3 sones at 0.1" static pressure
- Power consumption approximately 8.5 Watts with an efficiency rating at approximately 9.7 CFM/Watt at 0.1" static pressure
- UL and cUL listed for tub/shower enclosure when used with GFCI-protected branch circuit wiring

DC Motor Technology

- Built-in soft start function to increase bearings' life
- Automatically powers off when the impeller is locked abnormally

Specifications

SIG80L	4" Duct (Standard)	
Static Pressure (Inches w.g.)	0.1	0.25
Air Flow (CFM)	80	59
Sones	<0.3	0.5
Power Consumption (Watts)	8.5	10.7
Energy Efficiency (CFM/Watt)	9.7	5.6
Speed (RPM)	865	1111
Current (Amps)	0.30 Max	
Power Rating (V/Hz)	120/60	
Lamp (Watts)	26	
Night Light (Watts)	4	