

**For Residential and Commercial Applications**

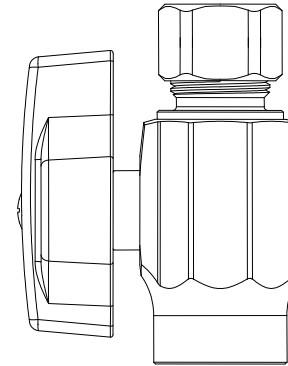
Job Name		Engineer / Architect	
Job Location		Wholesaler	
Submittal Date		Contractor	

**KTR04/ KTR14 1/4 Turn Straight Ball Stop – Sweat x Compression**

**Use:** For use in potable water distribution systems

**Design Features:**

- **Precision-machined brass ball** is specially engineered and mated with PTFE seats to provide smooth operation without freeze ups even after long periods of non-use
- **TWO high-performance o-rings** withstand high temperatures and corrosion from harsh water environments
- **Machined one-piece brass body** provides strength, durability and long-lasting performance
- **Blow-out proof brass stem** is assembled from the inside out with two o-rings to ensure safe, reliable performance
- **Plated stem** provides corrosion resistance and prevents o-ring damage after long periods of non-use
- **Patented, chrome plated metal handle** is designed for durability, corrosion resistance & a sleek appearance
- **Easy-to-remove handle** with screw attachment protects accidental stop operation during rough-ins
- **100% leak tested**
- **Compliant KT Stops** available for California and Vermont “low-lead” requirements



**Operating Specifications:**

**Temperature:** 40°- 180° F  
**Pressure:** 125 psi maximum

**Standard**

<b>MATERIAL SPECIFICATIONS</b>	
<b>Valve Body</b>	C36000 brass
<b>Stem</b>	DZR brass, plated
<b>Seats</b>	PTFE
<b>Ball</b>	C36000 brass, precision machined
<b>Stem O-rings</b>	Viton* & Nitrile
<b>Handle</b>	Zinc die cast
<b>Handle Screw</b>	Zinc-plated steel
<b>Compression Sleeve</b>	C36000 brass
<b>Compression Nut</b>	C36000 brass

**Compliant**

<b>MATERIAL SPECIFICATIONS</b>	
<b>Valve Body</b>	Compliant brass
<b>Stem</b>	Compliant brass, plated
<b>Seats</b>	PTFE
<b>Ball</b>	Compliant brass, precision machined
<b>Stem O-ring</b>	Viton* & Nitrile
<b>Handle</b>	Zinc die cast
<b>Handle Screw</b>	Zinc-plated steel
<b>Compression Sleeve</b>	C36000 brass
<b>Compression Nut</b>	C36000 brass

\*Viton is a registered trademark of DuPont Dow Elastomers, L.L.C.

*This specification and all information contained herein is the confidential and exclusive property of BrassCraft Manufacturing, and shall not be disclosed to others without the written consent of BrassCraft. This specification must be returned to BrassCraft if requested.*



# KTR04/ KTR14 1/4 Turn Straight Ball Stop – Sweat x Compression

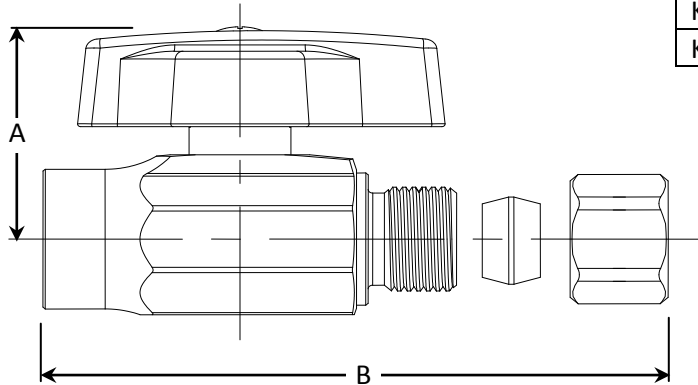
**Standard Part Listing:**

- KTR04 R 1/2" Nom. Sweat x 1/4" OD Compression, rough finish
- KTR14 C 1/2" Nom. Sweat x 3/8" OD Compression, chrome plated
- KTR14 C1 1/2" Nom. Sweat x 3/8" OD Compression, chrome plated, window tray
- KTR14 R 1/2" Nom. Sweat x 3/8" OD Compression, rough finish

**Compliant Part Listing:**

- KTR04X R 1/2" Nom. Sweat x 1/4" OD Compression, rough finish
- KTR14X C1 1/2" Nom. Sweat x 3/8" OD Compression, chrome plated, window tray

<b>PART DIMENSIONS (Inches)</b>		
<b>Model</b>	<b>DIM. A</b>	<b>DIM. B</b>
KTR04	1.14	1.99
KTR14	1.14	2.05



**Listings & Certifications:**

- IAPMO listed to ASME A112.18.1-05 / CSA B125.1-05 (File # 0645)
- CSA listed to ASME A112.18.1-05 / CSA B125.1-05 (File # 204593)
- Compliant product CSA approved to California Health & Safety Code 116875 and Vermont Bill S.152 (Project # 2174785)



*This specification and all information contained herein is the confidential and exclusive property of BrassCraft Manufacturing, and shall not be disclosed to others without the written consent of BrassCraft. This specification must be returned to BrassCraft if requested.*

**BrassCraft**<sup>®</sup>