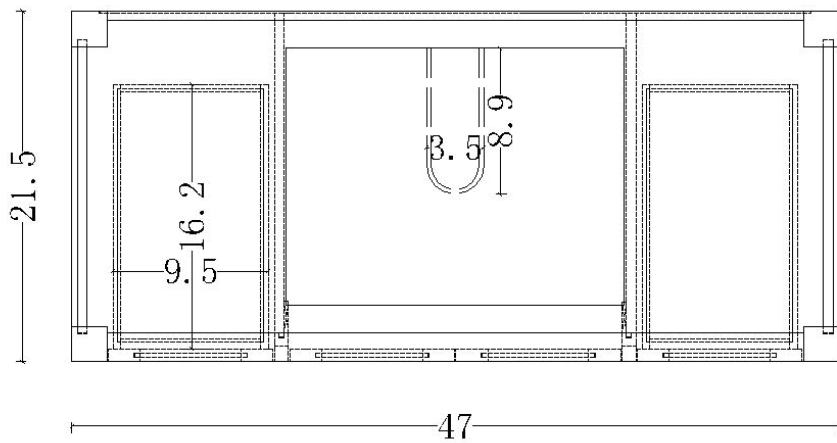
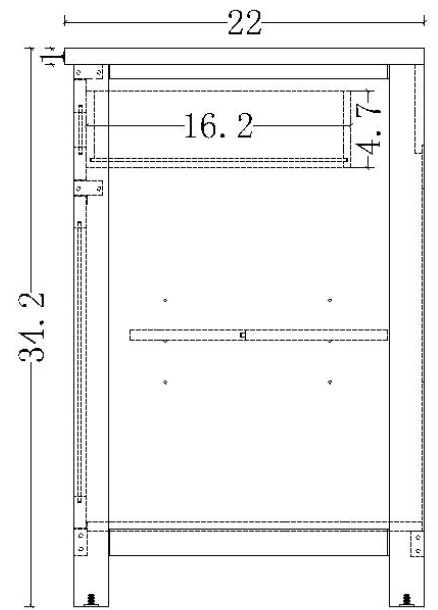
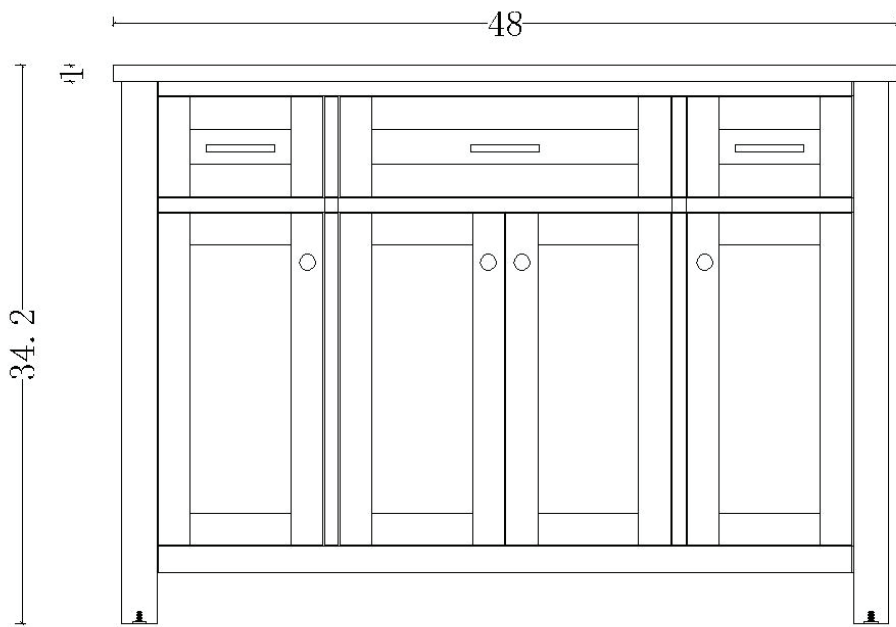
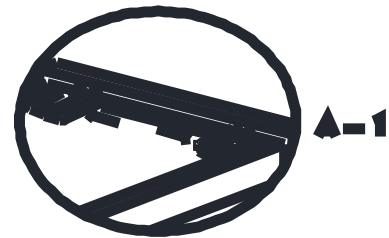
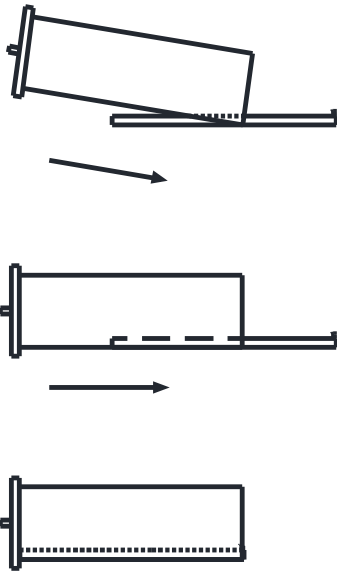
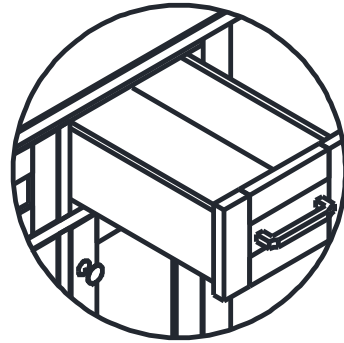
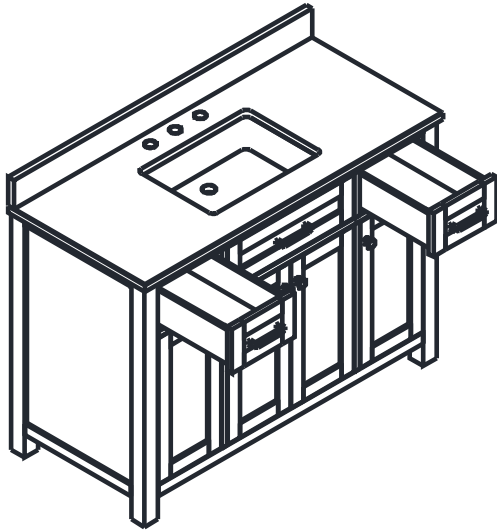


Norwalk 48 in. Single Bathroom Vanity in Gray with Carrera Marble Top



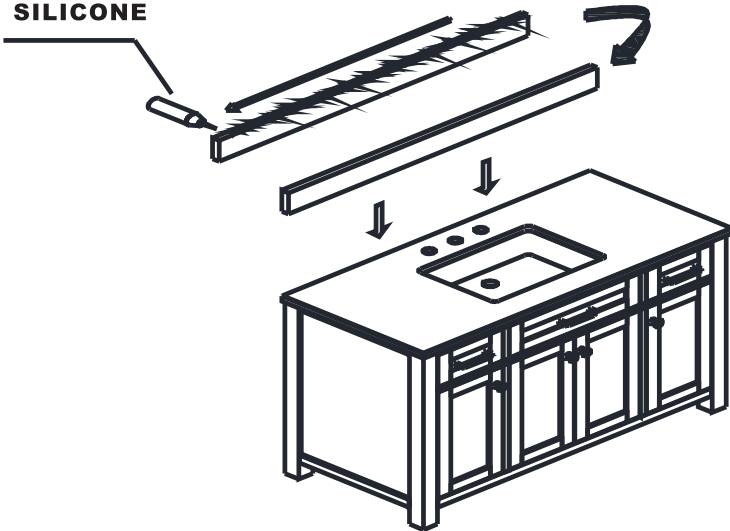


INSTALLATION

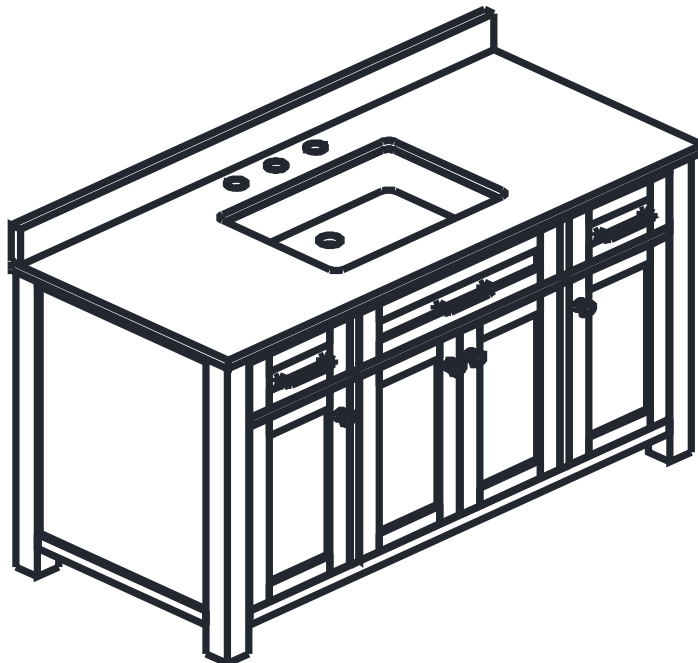
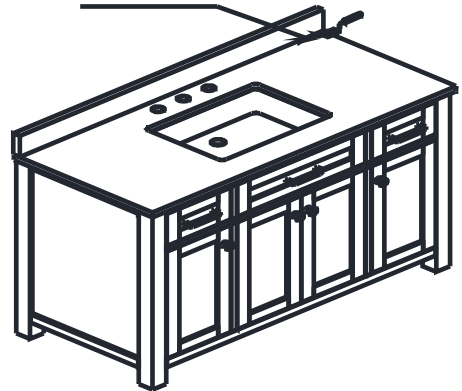
DISASSEMBLE

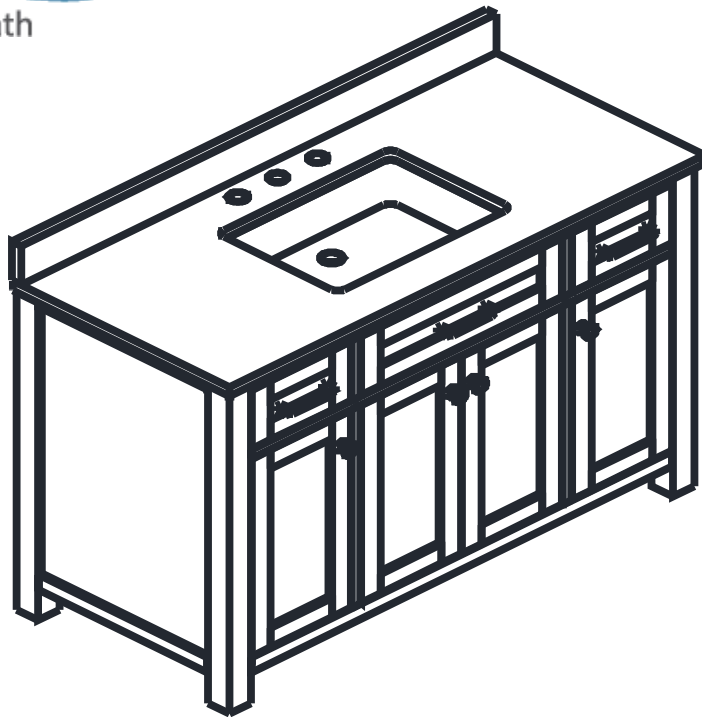
BACK SPLASH INSTALLATION

SILICONE

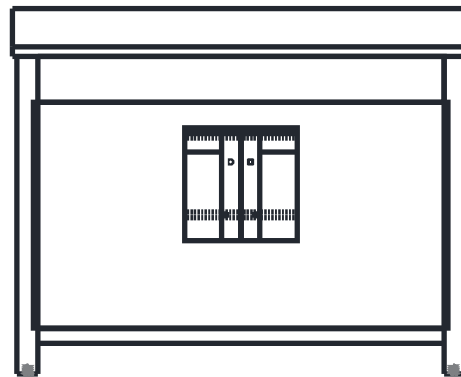
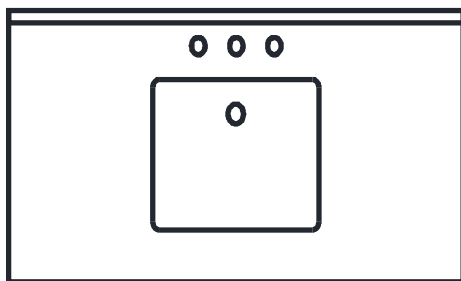


SILICONE





***THE SKETCH IS FOR INSTALLATION ONLY,IT MAY NOT MATCH TO THE PRODUCTS INSIDE THE CARTON.**



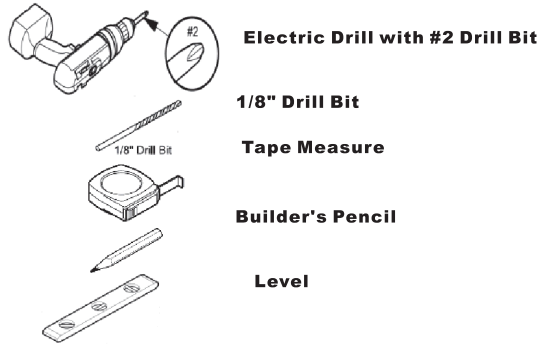
Installation Manual

- .carefully read the instructions before starting the installation.**
- .This vanity should be installed by an experienced plumber.**
- .Drain pipe and drain trap are not supplied. Connect to an existing drain pipe.**

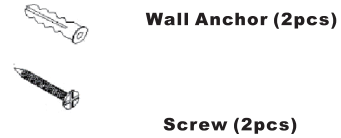
MIRROR INSTALLATION

*THE SKETCH IS FOR INSTALLATION ONLY, IT MAY NOT MATCH TO THE PRODUCTS INSIDE THE CARTON.

Tools for Assembly (Not Included)

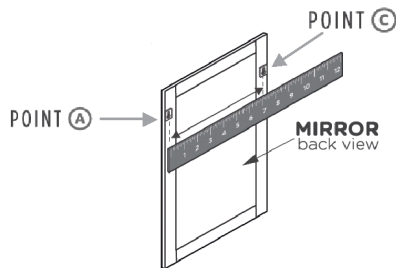


Supplies (Included in Package)



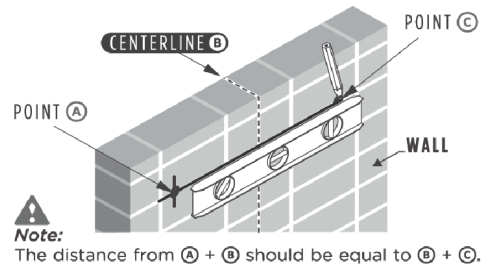
1.

Flip the mirror over and measure the distance between point A and C.



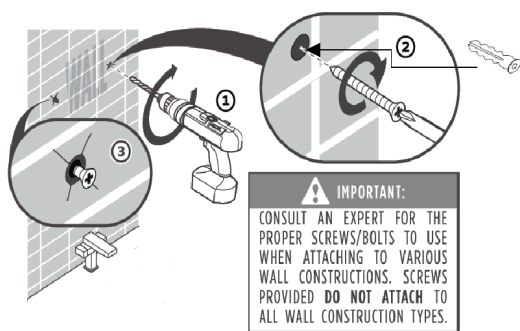
2.

Mark the measured distance between point A to point C on the wall by using a level.



3.

Once position is marked, drill 2 holes and insert the wall anchors and screws.



4.

Hang mirror on the wall.

