

VICTORIA Q – BUILDERS' CHOICE

inches (mm)

60 x 31-39½ x 25¾ (1525 x 790-1005 x 655) • Fax on Demand #2107

SOAKER MODEL #9760600Q

WHIRLPOOL MODEL #9760601Q



FEATURES (ALL MODELS)

- Extended skirt (AFR)
- Bowed skirt
- Integral double tile flange
- Slip-resistant floor
- Pre-leveled base
- Lucite® cast acrylic surface
- Limited 10- year warranty
- UL and IAPMO listed

OPTIONS

- Comfort pillow:
Biscuit, Black, White
- 1.5kW inline maintenance heater
(whirlpool only)
- Cable drive waste & overflow:
Chrome, Oil Rubbed Bronze,
Polished Brass, Brushed Nickel,
Color Matched (Biscuit, Bone, White)
- Lift & turn waste & overflow:
Chrome, Oil Rubbed Bronze,
Polished Brass, Brushed Nickel
- Cut skirt (19")

AQUATIC ADVANTAGE

- National distribution
- 6 manufacturing facilities
- Private fleet
- Centralized customer service
- Field support
- 24-hour fax-on-demand

COLOR & TRIM OPTIONS

Stock

Almond (C)
Bone (C)
Biscuit (C)
White (C)

C = Color Matched Trim

AVAILABLE SYSTEM

WHIRLPOOL

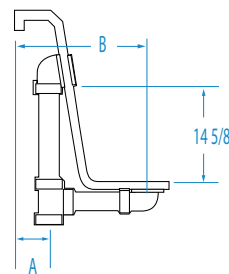
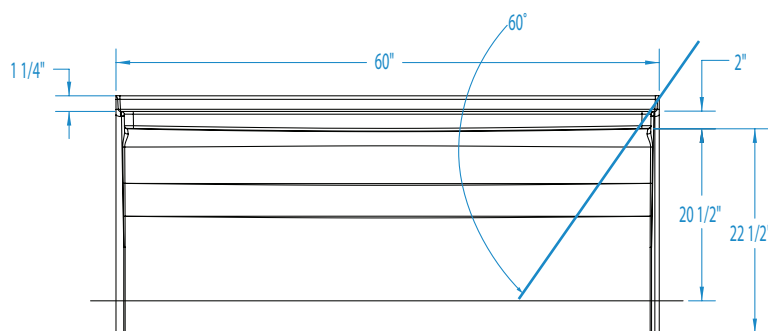
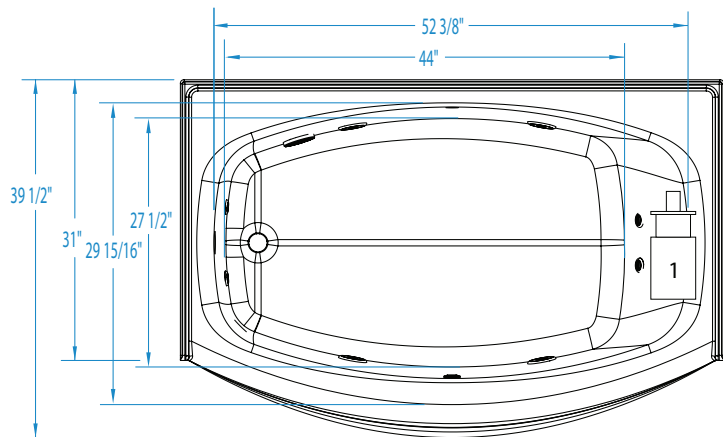
- 8 whirlpool hydrotherapy jets including:
 - High-flow directional jets
 - Low-profile spinning micro-jets
- .75 hp pump
- Pneumatic on/off control
- Advanced safety suction system
- Factory run-tested



VICTORIA Q

 60 x 31-39½ x 25¾ (1525 x 790-1005 x 655)
 inches (mm)


AFR allows for above the floor installation of waste, overflow and drainage. This unit is standard as AFR. Optional cut skirt available.



FEATURES lbs (kg) Dimensional Tolerance ± 3/8". Dimensions needed for site preparation should be measured from the unit. Aquatic assumes no responsibility for preparatory work.

Type and Model #	Material	Jets	Pump	Air System	Heater	Controls	Drain	Pkg. Wt.
Soaker #9760600Q	Acrylic	0	–	–	–	–	LH or RH	113 (51)
Whirlpool #9760601Q	Acrylic	8	0.75 HP	–	1.5kW inline (optional)	Pneumatic	LH or RH	162 (73)

DIMENSIONS inches (mm)

Width Overall / Net	Depth Overall / Net	Height Overall / Net	Skirt Height
60 (1525)	31-39 ½ (790-1005)	25 ¾ (655) / 24 ½ (625)	22 ½ (570)

SUMP DATA inches (mm)

Capacity to Overflow gal (ltr)	Min. Operating Capacity gal (ltr)	WIDTH @ centerline		DEPTH @ centerline	
		Top	Bottom	Top	Bottom
65 (246)	60 (227)	52 ¾ (1330)	44 (1120)	29 15/16 (760)	27 ½ (700)

PLUMBING DIMENSIONS inches (mm)

A	B	Drain to Overflow	Drain Diameter / Clearance
2 ½ (65)	8 ¾ (210)	14 5/8 (370)	2 (50) / 3 (75)

NOTES:

1) Where applicable, utilize cut-out templates packed with unit for deck cutouts.

2) 16 x 16 (405 x 405) minimum access required at pump/blower location(s).

ELECTRICAL DATA

Component	Specification	Requirement
Pump	.75 HP; 5 AMP; 120 V	15 AMP; 120V, separate circuit; Class A GFCI
Optional Heater (whirlpool model)	1.5KW; 12 AMP; 120 V	15 AMP; 120V, separate circuit; Class A GFCI