



Monticello™

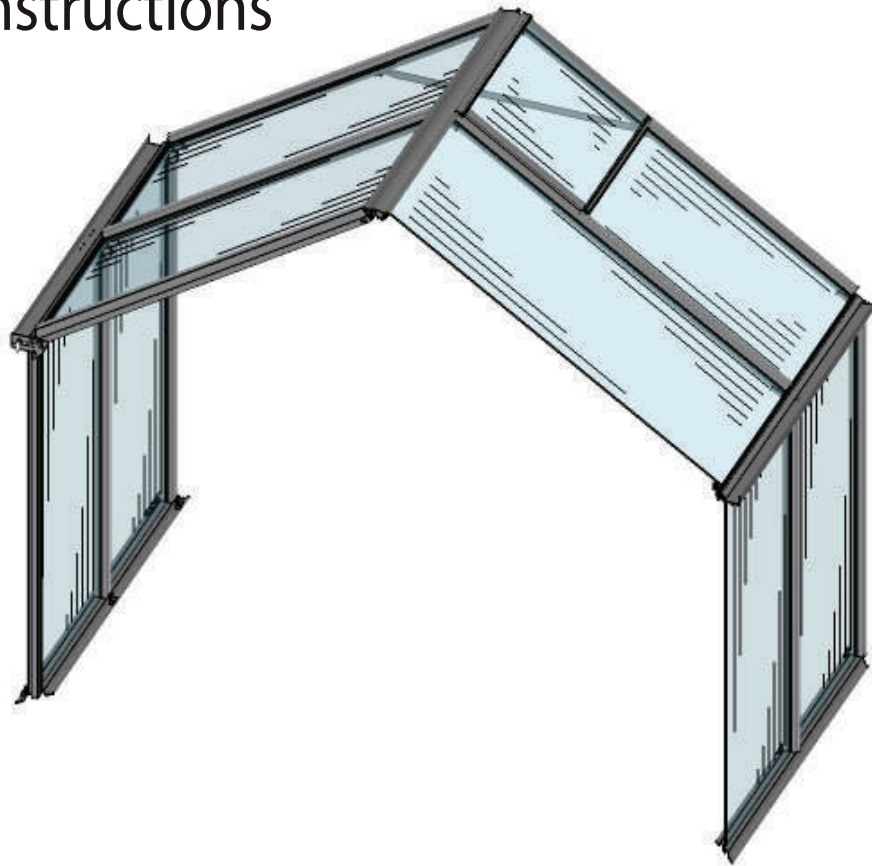
Made in the USA



This kit extends the length of an assembled Monticello Greenhouse. The kit is installed at the back of the greenhouse. Each kit adds four feet in length. Make sure you have ample level space behind your greenhouse to install before beginning. You may combine and install up to four extension kits at one time to an assembled Monticello greenhouse provided the total length of the finished greenhouse does not exceed twenty-four feet.

4 Foot Extension Kit Assembly Instructions

033114V2



Customer Service: (877) 373-3078 Email: customerservice@rsiww.com
After Hours Helpline: (443) 574-4764



"Green Products for a Brighter Future"
65 Fleetwood Drive, Rockaway, NJ 07866

Thank you for choosing the Monticello Greenhouse Program

Snow Load & Wind Load Warranty & Liability

The Monticello Greenhouse described in this manual is designed for and limited to Riverstone Industries standard wind and snow load which is based on a **continuously heated** greenhouse. Standard loads are: Wind Load = 113 MPH/ 1 second gust (52m/sec)
Snow load of 24 lbs. sq ft.

Riverstone cannot and will not be held liable or responsible for any and all damages and/or structural failures caused by prevailing load conditions at the greenhouse's erected location that exceed the aforementioned Standard Loads.

All Monticello Wind & Snow loads are based on a closed and heated greenhouse structure. The heat provides a source for the snow and ice to melt from the roof. If the Monticello is not being heated during the winter months when snow and/ or ice is present it is the owners responsibility to clear the accumulations of the roof.

Contact Riverstone directly with any questions regarding this.

MONTICELLO Limited Warranty/ Liability

Products to which this limited warranty applies:

This limited warranty applies to the following models of your newly purchased Monticello Greenhouse:

MONT-8; MONT-12, MONT-16, MONT-20, MONT-24, MONT-4 and Premium versions of these greenhouses.

This limited warranty applies only to purchases made in any province of Canada *except* for Yukon Territory, Nunavut, or Northwest Territories or in any of the 50 States of the USA (and the District of Columbia) *except* for Hawaii and Alaska. This limited warranty applies to the original purchaser of the product only and is not transferable.

What this limited warranty covers and for how long:

Products covered by this limited warranty have been tested and inspected prior to shipment and, subject to the provisions of this warranty, Riverstone Industries warrants such products to be free from defects in material and workmanship for a period of 1 year from the date of the first purchase of such products.

The limited 10-year warranty period for GREENHOUSES also applies to any implied warranties that may exist under applicable law. Some jurisdictions do not allow limitations on how long an implied warranty lasts, so the above limitation may not apply to the purchaser.

The limited warranty for accessories follows the same guidelines as above and is covered for the following time span.

- Work Bench System – 10 years
- Watering System – 7 years
- Shade Cloth System – 7 years
- Garden/ Potting Sink – 3 years

What this limited warranty does not cover:

This limited warranty does not apply to products that have been repaired (except by Riverstone Industries or its authorized service representatives) or otherwise altered. This limited warranty does further not apply to defects resulting from misuse, abuse, accident, neglect, incorrect installation, improper maintenance or handling, or operation with an incorrect power source.

Riverstone Industries is not responsible for personal time lost or paid for during the construction of its products due to missing or defective parts.

What you must do to get service under this limited warranty:

Defects must be brought to the attention of Riverstone Industries Technical Service by contacting Riverstone Industries at customerservice@RSIWW.com or 612-RVR-STNE (787-7863). Please have proof of purchase, catalog/model and serial numbers available when calling. Limited warranty service requires a proof of purchase of the product.

What Riverstone Industries will do in the event of a defect:

In the event a product or part covered by this limited warranty is proven to be defective in material or workmanship during the 10-year limited warranty period for products, you have the following rights:

Riverstone Industries will in its sole discretion either repair or replace such defective product or part without charge. If Riverstone Industries is unable to repair or replace such product or part, or if repair or replacement is not commercially practicable or cannot be timely made, Riverstone Industries may, in lieu of repair or replacement, choose to refund the purchase price for such product or part.

Limited warranty service will be performed solely by dealers or service agents of Riverstone Industries authorized to provide limited warranty services.

Introduction

Thank you for purchasing a 4 Foot Extension Kit for your assembled Monticello™ Greenhouse. The Monticello line is proudly made in the USA by a leading commercial greenhouse maker using the same professional grade materials and design. The frame is constructed with the highest quality extruded aluminum with lead free powder-coated paint. The panels are professional grade 8mm twin wall polycarbonate selected for their insulation and durability.

The Monticello line is a modular system, which uses an 8x8 greenhouse that can be easily expanded at any time in four foot sections up to 24 feet by 8 feet. This kit is also shipped as part of the 8x12, 8x16, 8x20 and 8x24 greenhouse sizes. Each of those sizes includes an assembly manual designed specifically for that size. If you did not receive the manual for the size you purchased, please contact Riverstone Customer Service to request the appropriate manual. During business hours call (877) 373-3078, email: customerservice@rsiww.com or use the After Hours Helpline: (443) 574-4764.

This manual will guide you through the process of adding the extension kit to an already constructed Monticello greenhouse. You may add more than one extension kit at a time, but do not exceed a finished length of 24 feet.

NOTE: These instructions include helpful hints and important information needed to safely install one extension kit to an 8x8 greenhouse. Please read these instructions completely before you begin.

**EXTENSION KIT IS INSTALLED TO THE BACK OF AN ASSEMBLED MONTICELLO GREENHOUSE.
MAKE SURE YOU HAVE ENOUGH LEVEL SPACE BEFORE YOU BEGIN.**

Safety Advice

- The greenhouse must be positioned and fixed on a flat level surface.
- The extension kit is installed at the back of an assembled Monticello greenhouse.
- Dispose of all plastic bags safely. Keep them out of the reach of small children.
- Keep children and pets away from the assembly area until the work is completed.
- Always wear work shoes, gloves and safety goggles when working.
- Some of the parts have sharp edges and burs. Use extreme caution when handling.
- Do not lean against or push the greenhouse during assembly.
- Take special care not to touch overhead power lines with the aluminum profiles.
- Do not attempt to assemble the greenhouse in windy or wet conditions.
- Do not position your greenhouse in an area exposed to excessive wind.
- If using power tools or a step ladder, always follow the manufacturer's safety instructions.
- Hot items such as recently used grills, blow torches etc., must not be stored in the greenhouse.
- Store the polycarbonate panels in a cool dark place such as a garage until you are ready to use them.
- Make sure the greenhouse complies with local building codes.
- Make sure the greenhouse is properly supported until the extension kit is completely installed. We recommend using one 2x4 cut to the height of your greenhouse to support the roof ridge.

Table of Contents

Warranty	1
Introduction	2
Safety Advice	2
Before Beginning	3
General Order of Assembly	3
Materials Needed	3
Tools Needed	3
List of Parts	4
Using T-bolts	5
Remove Back Wall	6
Extend Wood Platform	8
Remove Upper Back Section	10
Install Extension Kit Base	12
Assemble Extension Side Walls	14
Reattach Back Wall to Extension	18
Assemble Extension Roof Ridge	20
Assemble Extension Roof	23
Install Roof Vent	27
Secure to Ground	29

Before Beginning:

1. Make sure you have all the necessary parts:

Compare the contents of this carton with the List of Parts. If any parts are missing or damaged or if you have any questions, please contact Riverstone Customer Service before beginning assembly. During business hours call (877) 373-3078, email: customerservice@rsiww.com or use the After Hours Helpline: (443) 574-4764.

2. Lay the parts out in one staging area:

The List of Parts has the corresponding step number referenced to each part so you can easily prepare for each step. We recommend placing all parts in one staging area. Lay out parts by size and shape. Use the List of Parts to identify the part numbers for profiles and panels. We have not labeled the parts with stickers to avoid removing them during assembly.

You will also be removing parts of your existing greenhouse and reinstalling them at another stage of assembly. We recommend placing these parts in the same staging area and placing small parts like set screws in a small container so they do not get lost. The manual includes these parts listed next to the step.

NOTE: The quantities and drawings in this manual show one extension kit installed to an 8x8 greenhouse. If you are installing more than one kit then multiply the number of parts by the number of kits.

3. Check your location:

The extension kit is installed at the back of the greenhouse. You will need 48³/₄" finished length added to the back of your existing greenhouse for each extension kit. Make sure the surface is flat and level and if possible, with proper water drainage and easy access to power and water necessary for greenhouse gardening. The location should be away from structures that could cause snow to drift on or around the greenhouse. Locate underground pipes or cables before preparing the site or anchoring the greenhouse.

4. Prepare your foundation:

After choosing a location, proper preparation of the site is essential. The site must be level. The greenhouse must be mounted to a base. We recommend constructing a wood platform base using a perimeter of two by fours filled with either soil, sod or gravel. Instructions in this manual show how to extend a wood platform and assemble the extension kit on top of it.

Contact your local authorities regarding any required building permits or restrictions.

CAREFULLY READ ALL INSTRUCTIONS BEFORE YOU BEGIN.

FOLLOW STEPS IN THE ORDER PRESENTED. KEEP THIS MANUAL FOR FUTURE REFERENCE.

General Order of Assembly

- Step 1: Remove Back Wall
- Step 2: Extend Wood Platform
- Step 3: Remove Upper Back Section
- Step 4: Install Extension Kit Base
- Step 5: Assemble Right and Left Extension Walls
- Step 6: Reattach Back Wall to Extension
- Step 7: Assemble Extension Roof Ridge
- Step 8: Assemble Extension Roof
- Step 9: Install Roof Vent
- Step 10: Secure to Ground

Materials Needed

- Four 6' pressure treated 2x4 lumber cut to 48³/₄"
- Fifteen #8 3" wood screws
- One 2x4 lumber cut to the height inside your greenhouse to support roof ridge during assembly.

NOTE: To determine the correct length for your 2x4 support, measure the height inside your greenhouse, the distance from the peak to the ground, one foot away from the back wall.

Tools Needed

- Work Gloves
- Safety Goggles
- Step Ladder
- Tape Measure
- Spirit Level
- * Phillips Screwdriver
- * 23 inch spacer
- * ¹/₁₆" Wrench

* These tools are provided with the original greenhouse kit

List of Parts



The extension kit is shipped in one carton. This carton is heavy. Use care when lifting.

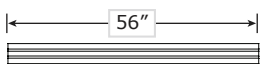
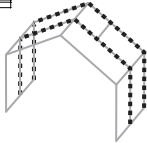
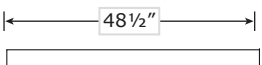
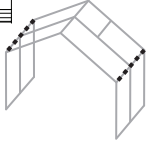
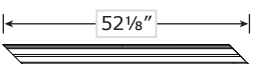
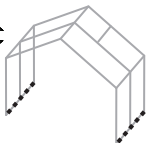
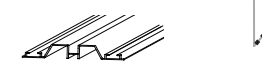

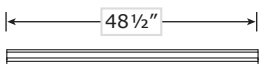
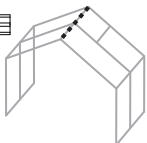
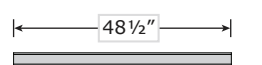
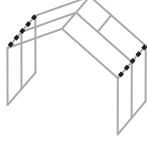
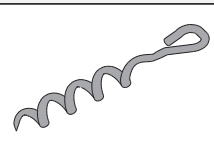
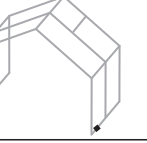
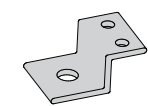
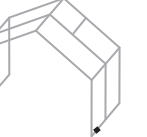
Some parts have sharp edges. Use extreme caution when handling.

Wear proper safety gear including work shoes, gloves and safety goggles.

Keep children and pets away until assembly is complete.

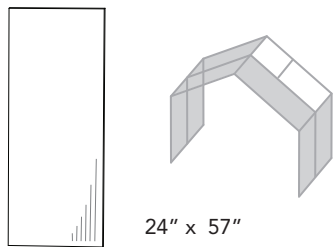
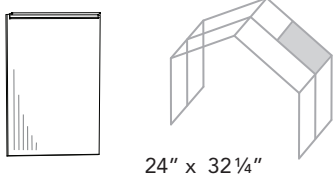
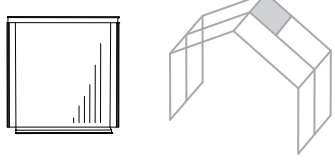



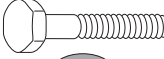

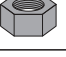

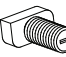
Place all like parts together in a staging area. Prepare for each step according to instructions in this manual.

If any parts are missing or damaged, before beginning assembly contact Riverstone Customer Service at (877) 373-3078, email: customerservice@rsiww.com or After Hours Helpline: (443) 574-4764

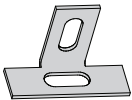

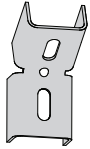

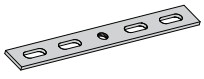



Profile	QTY		
 	F-1	8	Steps 5,8
 	G-2	2	Step 5
 	P-2A	1	Step 4
 	P-2B	1	Step 4
 	R-1E	1	Step 7
Trim Plates	QTY		
 	G-4E	2	Step 8
Ground Anchors	QTY		
 	A-1	2	Step 10
 	A-2	2	Step 10



WARNING: Profiles with cut edges and/or drilled holes are sharp. Use extreme caution when handling.

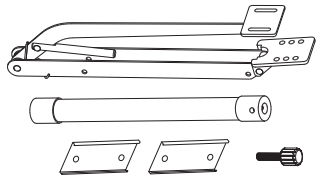
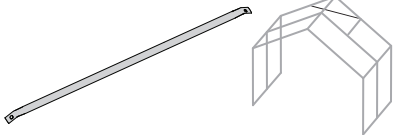
Panels	QTY		
	W-1	7	Steps 5,8
	W-2	1	Step 8
Assembled Roof Vents	QTY		
	V-2	1	Step 9
Hardware	QTY		
	S-1	4	Step 9
	S-2C	58	Steps 4,5,7,8
	S-4	15	Steps 4,6
	S-5A	1	Step 7
	S-5B	1	Step 7
	S-2D	1	Step 7
	S-6	2	Step 9
	S-7	58	Steps 4,5,7,8

List of Parts (continued)

Connectors		QTY		
		B-3	8	Steps 5,8
		B-4	6	Step 8
		B-5	5	Steps 4,5,7
		B-10	2	Step 7



WARNING: Use extreme caution when handling panels with cut edges. The corners are sharp.

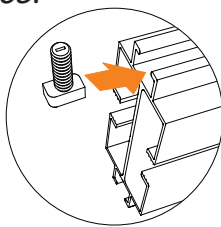
Vent Opener	QTY		
	V-3	1	Step 9
Brace			
QTY			
	B-9	1	Step 8

**CAREFULLY READ ALL INSTRUCTIONS BEFORE YOU BEGIN.
FOLLOW STEPS IN THE ORDER PRESENTED. KEEP THIS MANUAL FOR FUTURE REFERENCE.**

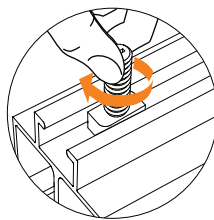
Using T-bolts

IMPORTANT: You will be disassembling part of your greenhouse before installing the extension kit. The greenhouse is assembled using a unique fastening system. The parts are attached to each other using connectors fastened with a rectangular headed bolt referred to as "T-bolts" and secured with "2-SC caps". Use a wrench to loosen the 2-SC cap to remove connectors.

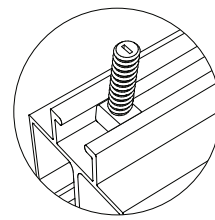
Slide T-bolt into side of profile bolt track to the desired position. Turn to a ninety degree angle to lock into place.



Shown sliding into F-1 bolt track.



Turn to lock in place.

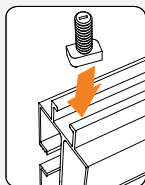


Shown hand tightened in F-1 bolt track.



IMPORTANT: The end of the T-bolt has a slotted indent. When the T-bolt is installed too tightly to loosen by hand, use the included T-5 flat screwdriver.

NOTE: Turning the T-bolt ninety degrees so it is locked into place inside the bolt track is referred to in this manual as "hand tighten". "Loosen T-bolt" refers to turning the T-bolt back to parallel so it easily slides.



NOTE: The illustrations in this manual show sliding the T-bolt into the bolt tracks. You may also place them into the bolt track in the desired position and turn them to hold in place.

Remove Back Wall



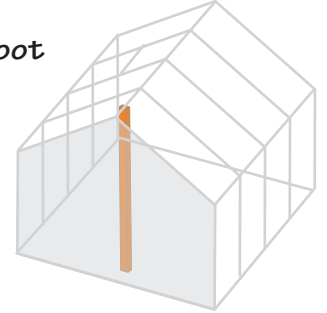
Make certain the pieces are in the correct positions before assembling. Carefully follow the order of assembly to ensure an easy installation. Wear proper safety gear including work shoes, gloves and goggles. Place parts removed in staging area.


IMPORTANT: You will be removing the back of the greenhouse to install the extension kit. Drawings are shown looking at the back installing one extension kit to an 8x8 greenhouse.

1.1 Before beginning, place a 2x4 cut to the height inside your greenhouse one foot away from the back wall. This 2x4 will support the greenhouse while you are installing the extension kit and will be removed when you are finished. Position the 2x4 one foot away from the back and angle it so it is wedged between the ground and the roof ridge.

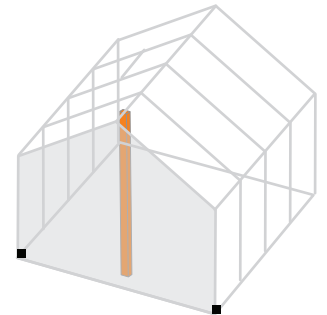
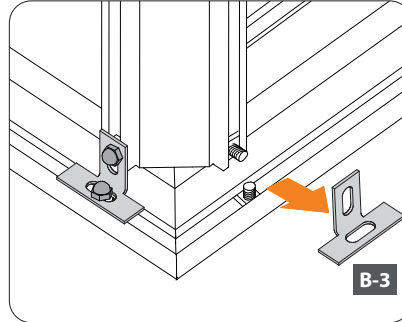
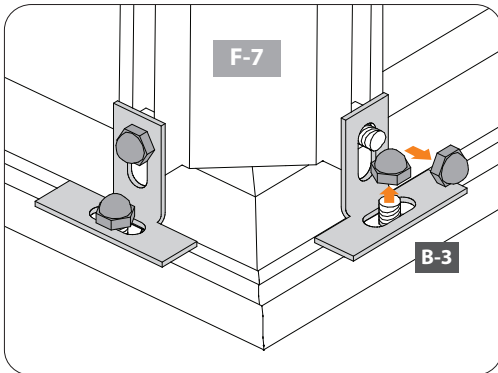


IMPORTANT: The 2x4 lumber is needed to support the greenhouse during installation of the extension kit. Place the 2x4 one foot away from the back wall on the inside of the greenhouse before beginning assembly.



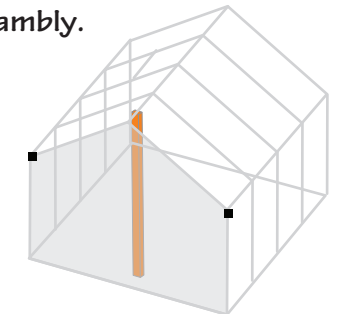
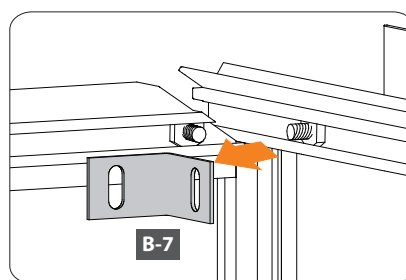
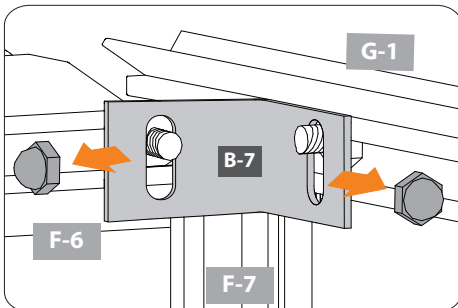
2 x 4 Lumber Support	QTY
	1

1.2A Working from outside, remove B-3 connectors holding F-7 back corner profiles to sides at the base on each side. Place parts in a container in staging area until needed for reassembly.

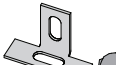





NOTE: VIEWS FROM OUTSIDE.

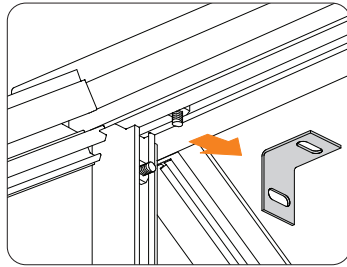
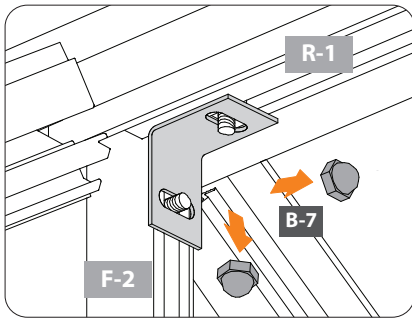
1.2B Working from inside, remove B-7 connectors holding F-6 back profiles to sides at G-1 gutters on each side. Place parts in a container in staging area until needed for reassembly.



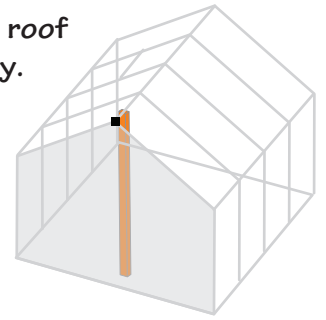
NOTE: VIEWS FROM INSIDE.

Connector	QTY	Connector	QTY		
	B-3	2		B-7	2
	S-2C	4		S-2C	4

1.2C Working from inside, remove B-7 connector holding F-2 back profile to R-1 roof ridge. Place parts in a container in staging area until needed for reassembly.

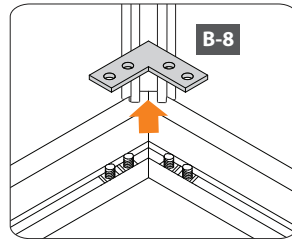
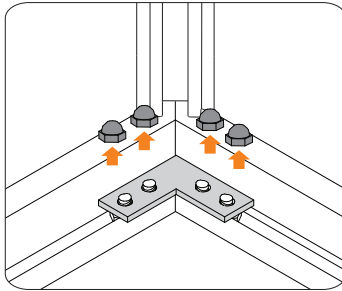


NOTE: VIEWS FROM INSIDE.

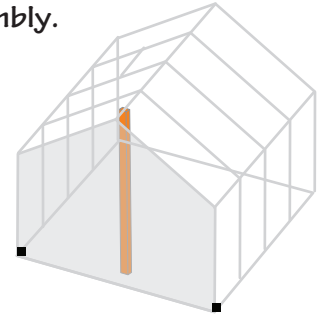


Connector		QTY
	B-7	1
	S-2C	2

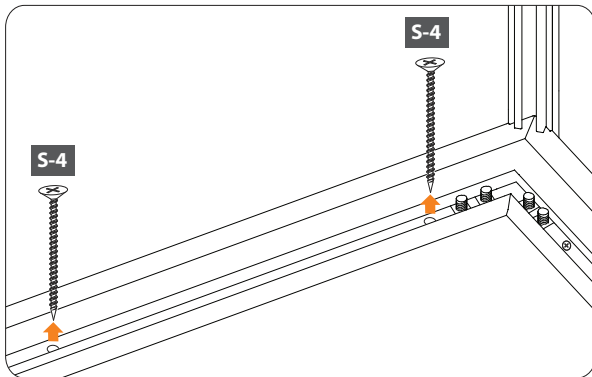
1.3A Working from inside, remove B-8 corner connectors holding back base profile to side base profiles. Place parts in a container in staging area until needed for reassembly.



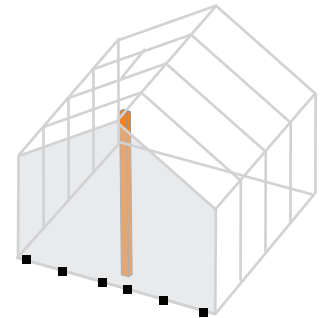
NOTE: VIEWS FROM INSIDE.



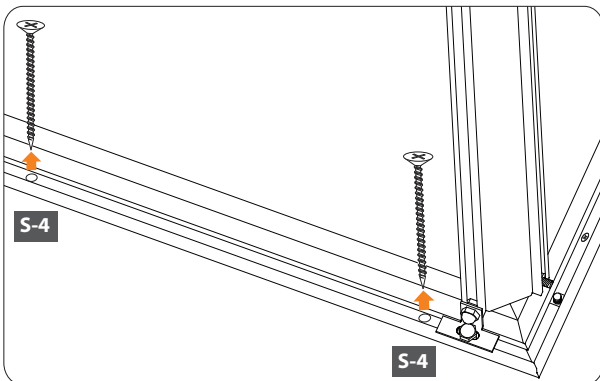
1.3B Working from inside, remove S-4 wood screws holding back base profile to wood platform. Place parts in a container in staging area until needed for reassembly.



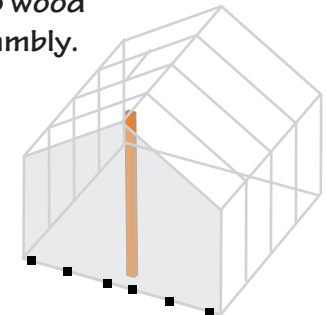
NOTE: VIEW FROM INSIDE.



1.3C Working from outside, remove S-4 wood screws holding back base profile to wood platform. Place parts in a container in staging area until needed for reassembly.



NOTE: VIEW FROM OUTSIDE.



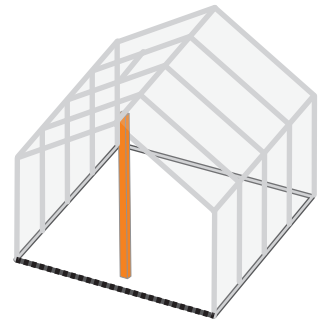
Connector		QTY	Connector		QTY
	S-4	12		B-8	2
				S-2C	8

1.4 Carefully remove back wall of greenhouse. Keep parts in original position and lean it against a vertical surface where it will not be disturbed until you have finished assembling the extension kit.

Construct Extended Wood Platform



Make certain the pieces are in the correct positions before assembling. Carefully follow the order of assembly to ensure an easy installation. Wear proper safety gear including work shoes, gloves and goggles. Place parts removed in staging area.



NOTE: The part quantities and drawings in this manual show one extension kit installed to an 8x8 greenhouse. If you are installing more than one kit, multiply the number of parts by the number of kits. Drawings are shown looking at the back of the greenhouse.



IMPORTANT: It is very important to begin with a level surface. Check your foundation to ensure it is level at every point. If you are not building on a wood deck, we recommend constructing a wood platform so you can properly secure the greenhouse. You must assure your foundation is square and level before beginning assembly.

Buy pressure treated 2x4 lumber. You will use two layers with the corner positions staggered for maximum strength. The materials listed below are for one extension kit. Increase the amounts if you are installing multiple kits. NOTE: You will be reusing the wood you remove from the back of the greenhouse.

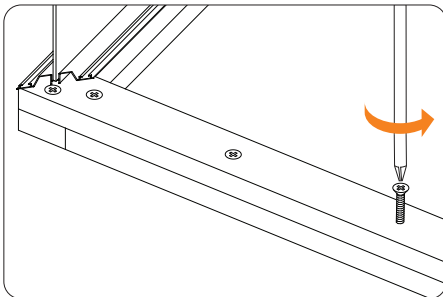
Materials:

Four 6' pressure treated 2x4 lumber cut to 48³/₄" long
Fifteen #8 3" wood screws

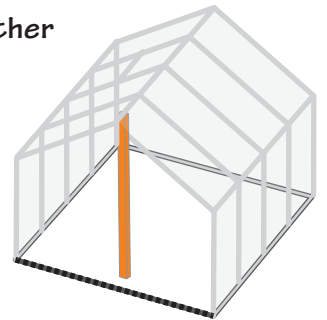
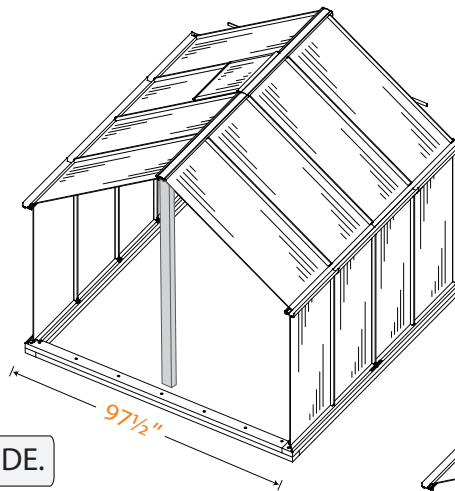
Tools:

Spirit Level
Corner Square
Phillips Screwdriver
Power Drill (recommended)

2.1A Working from outside, remove all wood screws holding wood platform together at the back. Place screws in a container in staging area until needed for reassembly.

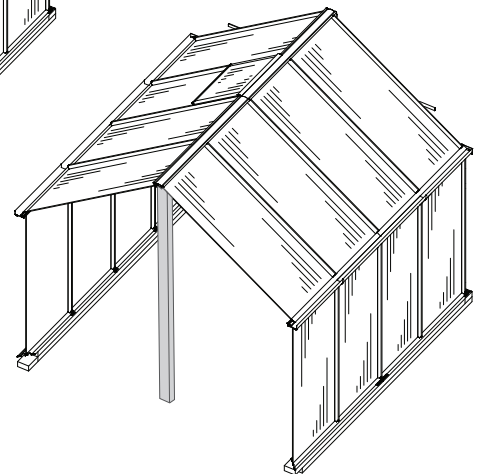


NOTE: VIEWS FROM OUTSIDE.



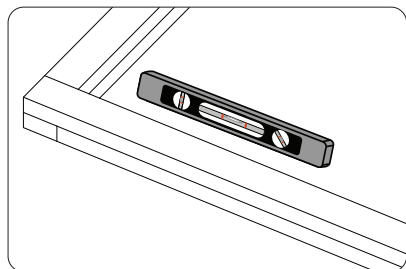
2.1B Carefully remove the back two 97¹/₂" wood 2x4s. Place in staging area.

NOTE: VIEWS FROM OUTSIDE.

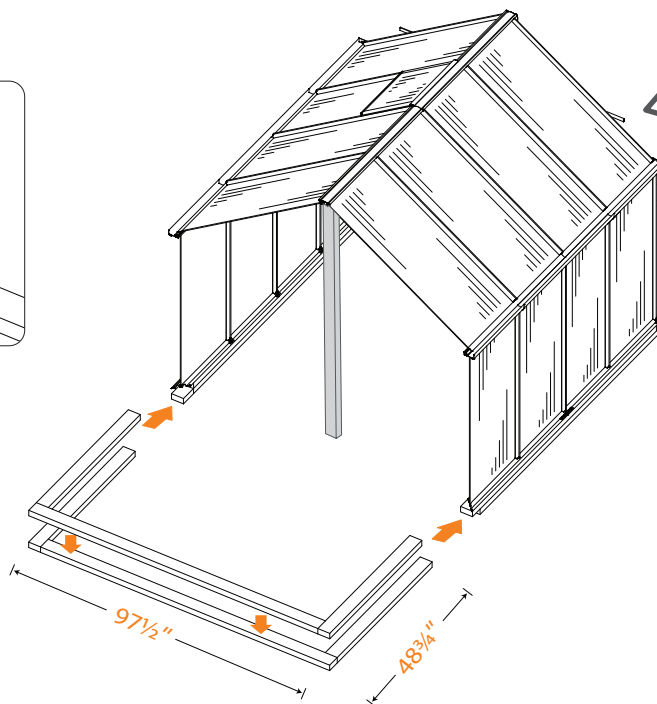


#8 3" Wood Screws	QTY	2 x 4 Pressure Treated Lumber	QTY
	8		2

2.2A Position the new pressure treated wood along each side. Place the longer 2x4s removed from the back at the end. You will use two layers with the corner positions staggered for maximum strength. Make certain platform is level and corners are square.

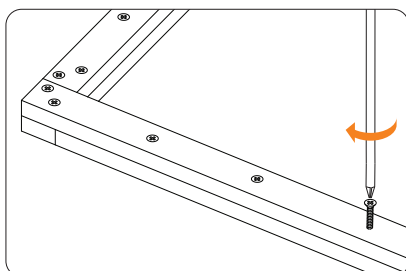


NOTE: VIEWS FROM OUTSIDE.

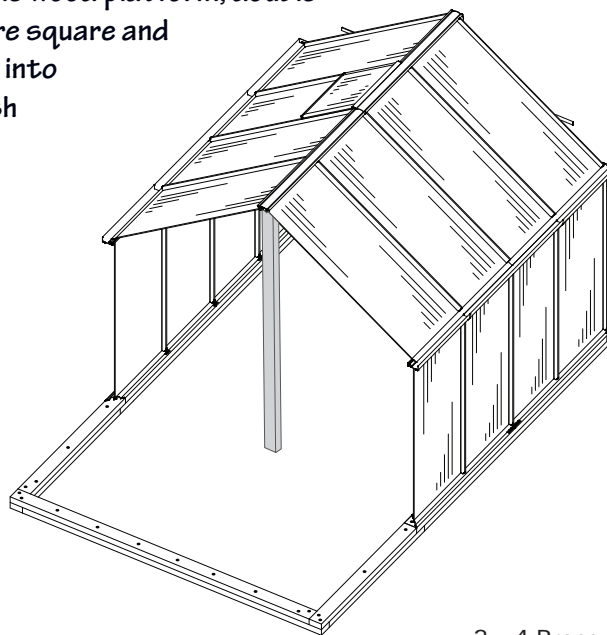



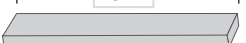
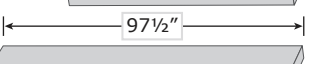
IMPORTANT: Make certain wood platform is level and square. If it is not, stop and adjust your platform.

2.2B Beginning with each corner, secure wood platform every two feet with wood screws. As you continue to secure the wood platform, double check to make certain the corners are square and the platform is level. Tighten screws into the wood platform until they are flush with the surface.



NOTE: VIEWS FROM OUTSIDE.

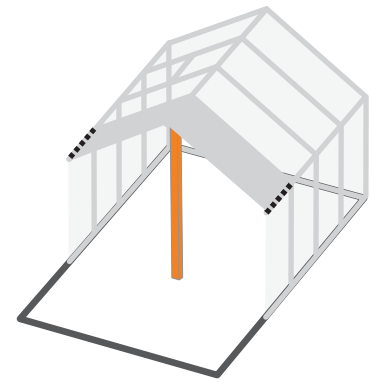


#8 3" Wood Screws		2 x 4 Pressure Treated Lumber		QTY
	23		48 3/4"	4
			97 1/2"	2

Remove Upper Back Section

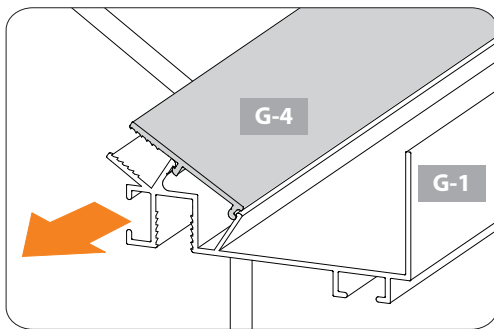


Make certain the pieces are in the correct positions before assembling. Carefully follow the order of assembly to ensure an easy installation. Wear proper safety gear including work shoes, gloves and goggles. Place parts removed in staging area.

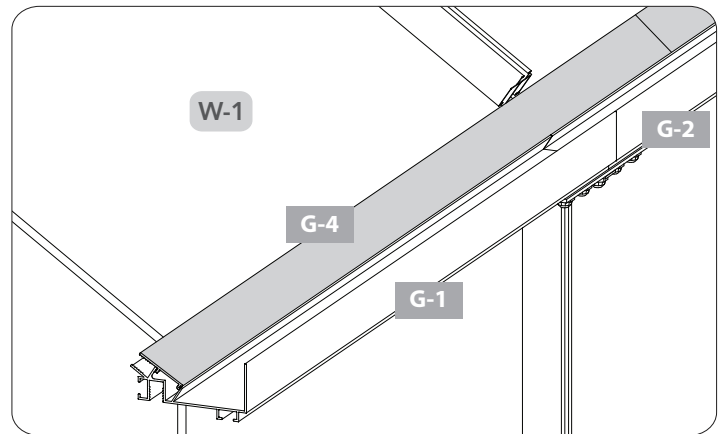


NOTE: The part quantities and drawings in this manual show one extension kit installed to an 8x8 greenhouse. If you are installing more than one kit, multiply the number of parts by the number of kits. Drawings are shown looking at the back of the greenhouse.

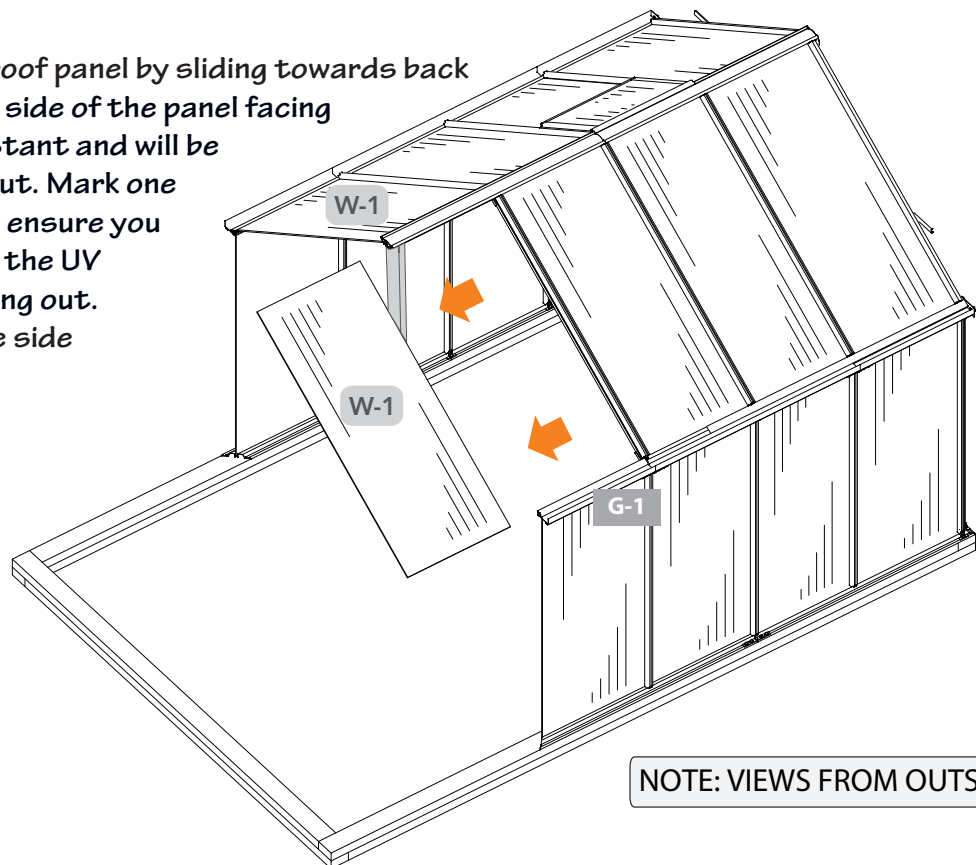
3.1A Slide G-4 gutter trim plates out of back G-1 gutter profile. Repeat on opposite side. Place in staging area.



NOTE: VIEWS FROM OUTSIDE.



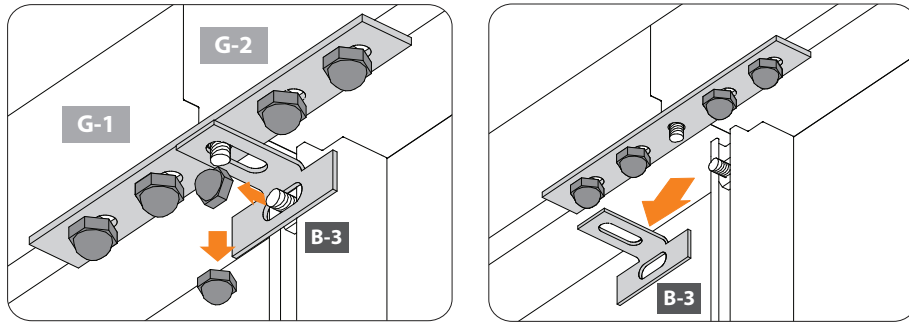
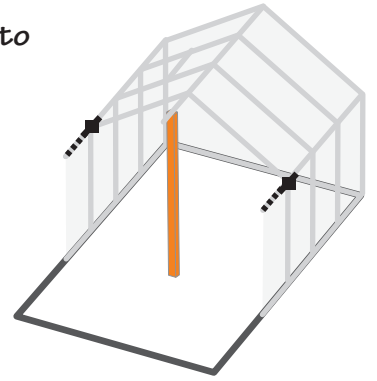
3.1B Remove back W-1 roof panel by sliding towards back of greenhouse. The side of the panel facing outside is UV Resistant and will be reinstalled facing out. Mark one side of the panel to ensure you will reinstall it with the UV Resistant side facing out. Repeat on opposite side and place panels in staging area.



NOTE: VIEWS FROM OUTSIDE.

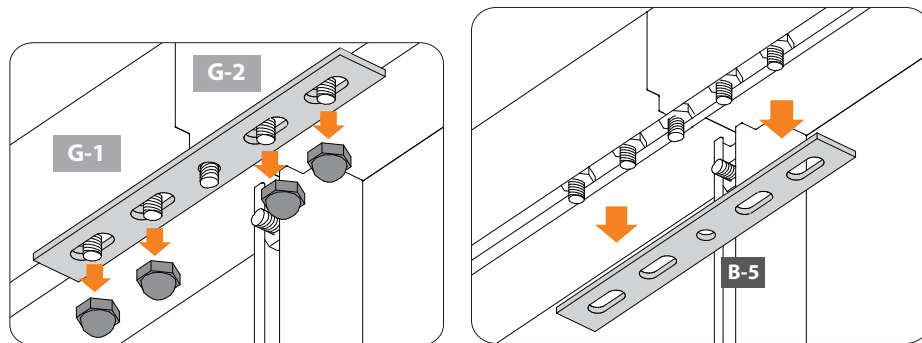
Panel	QTY	Trim Plate	QTY		
	W-1	2		G-4	2

3.2A The gutters are secured together using B-5 connectors and attached to side profiles using B-3 connectors on the outside of the greenhouse. The B-3 connector uses the T-bolt in the center hole of B-5 connectors at seams. Remove S-2C caps securing B-3 connector. Remove B-3 connector and place parts in a container in staging area.



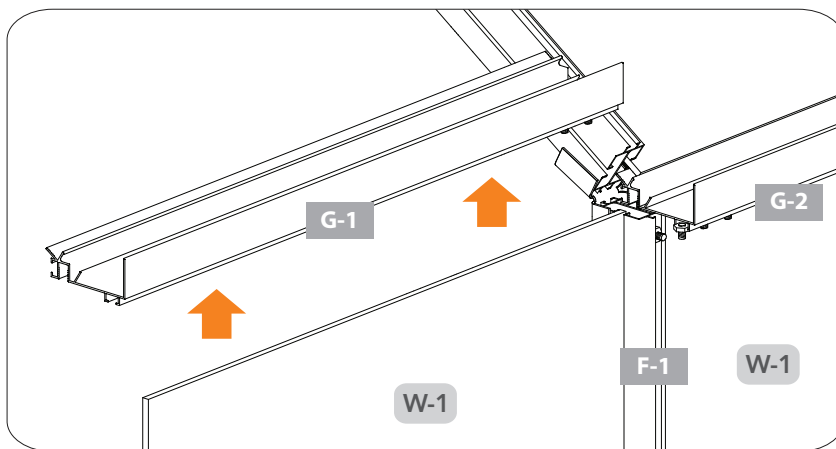
NOTE: VIEWS FROM OUTSIDE UNDER GUTTER.

3.2B Remove S-2C caps securing B-5 connector onto gutter. Remove B-5 connector and place parts in a container in staging area.

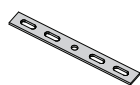
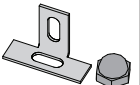


NOTE: VIEWS FROM OUTSIDE UNDER GUTTER.

3.2C Remove G-1 gutter profile from each side at back. They will be used at the end of the greenhouse after the extension kit is installed. Place in staging area.



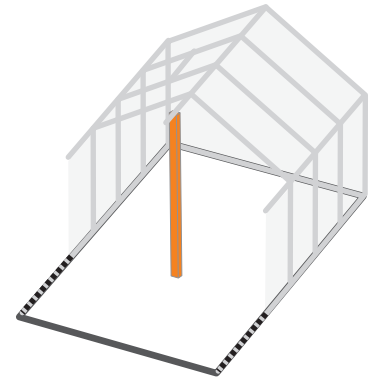
NOTE: VIEWS FROM OUTSIDE.

Connector	QTY	Connector	QTY
	B-5	2	
			B-3
			S-2C
			2
			12

Install Extension Kit Base

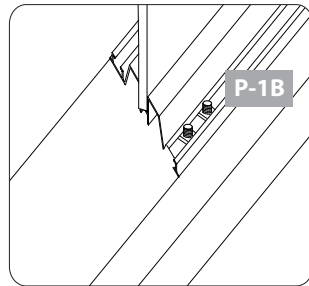
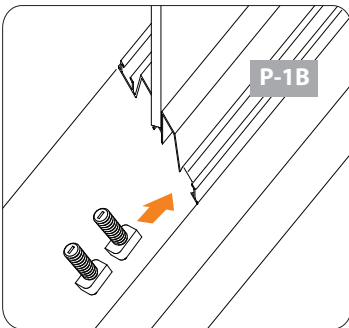


Make certain the pieces are in the correct positions before assembling. Carefully follow the order of assembly to ensure an easy installation. Wear proper safety gear including work shoes, gloves and goggles. Prepare required T-bolts as shown on page 5.

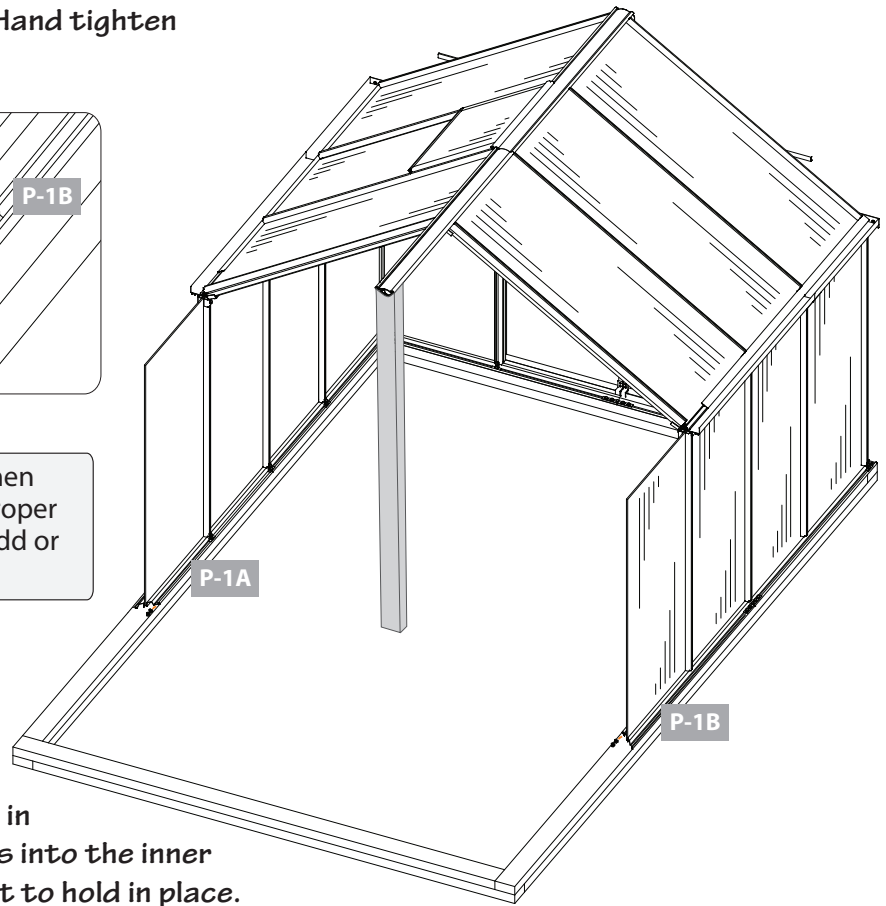


NOTE: The part quantities and drawings in this manual show one extension kit installed to an 8x8 greenhouse. If you are installing more than one kit, multiply the number of parts by the number of kits. Drawings are shown looking at the back of the greenhouse.

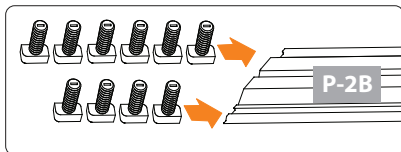
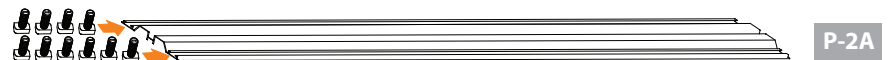
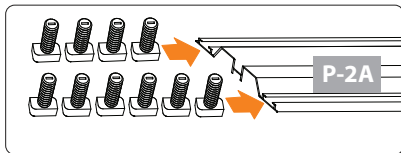
4.1A Prepare P-1A and P-1B base profiles by sliding two T-bolts in the inner bolt track of each profile. Hand tighten each T-bolt to hold in place.



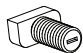
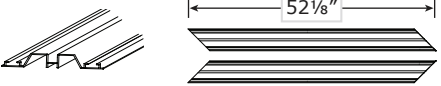
IMPORTANT: T-bolts may be in position from when parts were removed. These instructions show proper amount and placement needed for assembly. Add or remove T-bolts to match instructions.



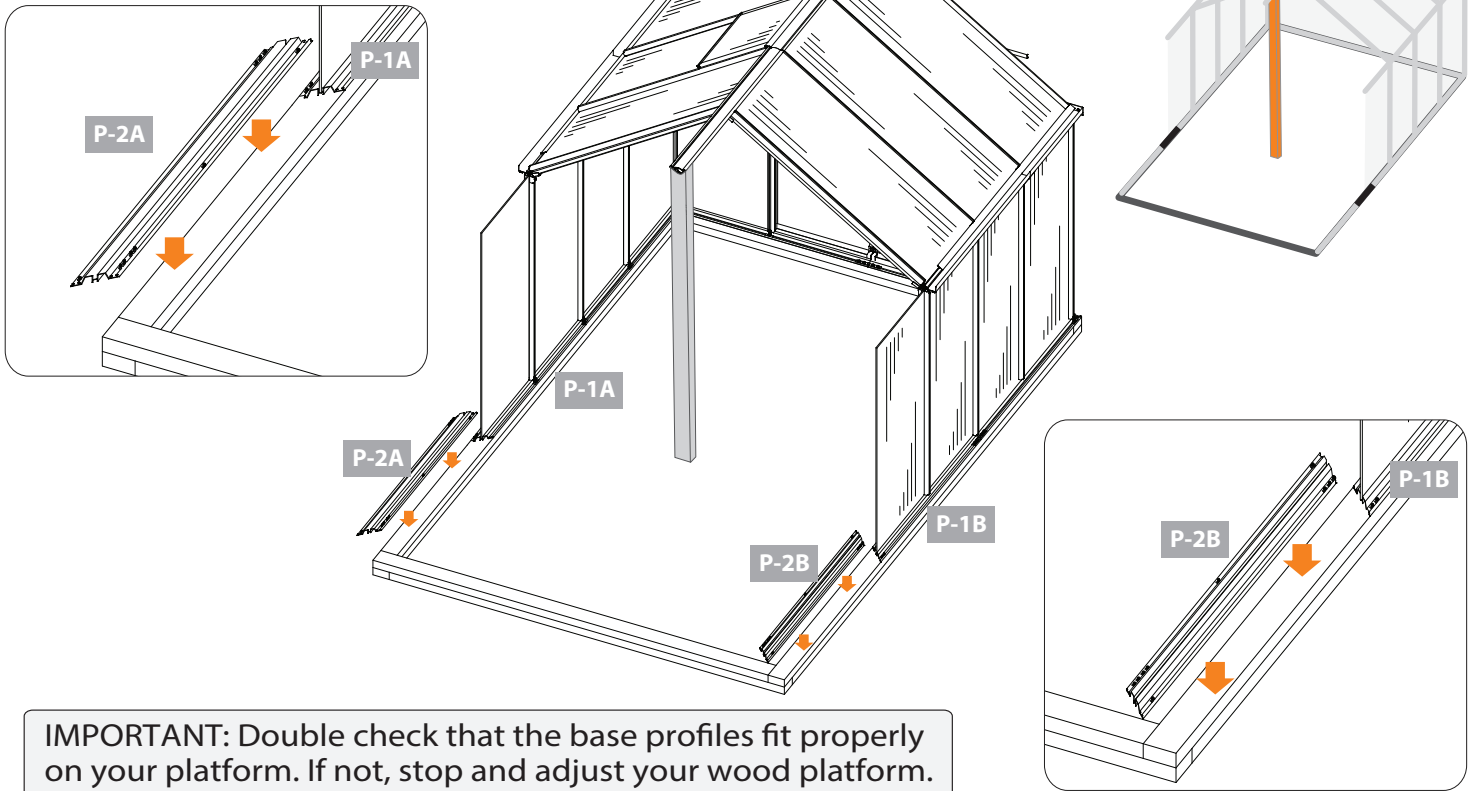
4.1B Prepare P-2A and P-2B extension base profiles by sliding four T-bolts in the outer bolt track and five T-bolts into the inner bolt track. Hand tighten each T-bolt to hold in place.



WARNING: Use extreme caution when handling profiles P-2A and P-2B. The bottoms may have sharp edges near the drilled holes. The cut edges on the corners of these profiles are sharp.

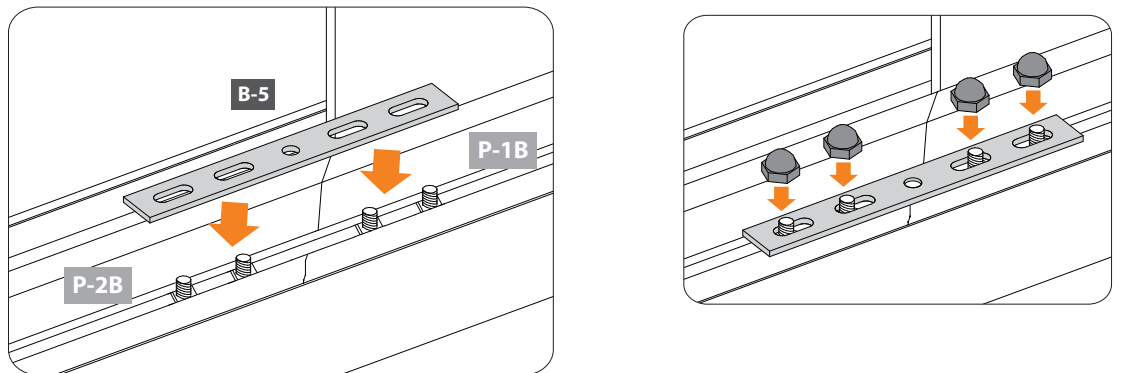
Connector		Profile		QTY	
	S-7	20		P-2A	1
				P-2B	1

4.2A Place P-2A and P-2B extension base profiles on wood foundation.

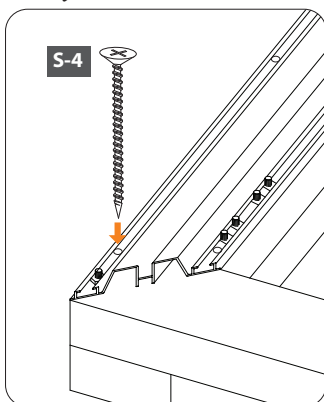


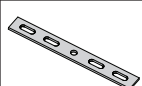


IMPORTANT: Double check that the base profiles fit properly on your platform. If not, stop and adjust your wood platform.

4.2B Make certain P-2B extension base profile is straight and flush against P-1B base profile already installed. Adjust position of T-bolts in outer bolt track where the two profiles meet to fit holes in B-5 connector. Center connector over seam for maximum hold. Secure using four S-2C caps. Repeat to install B-5 connector in outer bolt track to P-2A and P-1A base profiles on the other side.



4.2C Locate predrilled holes in P-2A and P-2B extension base profiles. Make sure base is level and square. Use fourteen S-4 screws to secure to wood platform.

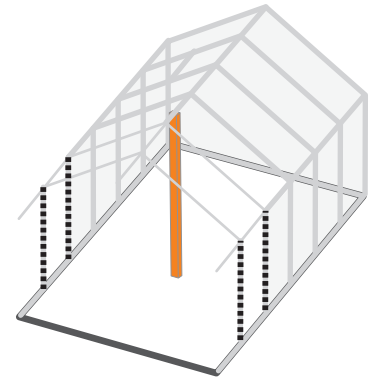


Connector		QTY	Connector		QTY
	B-5	2		S-2C	10
				S-4	14

Assemble Left and Right Extension Walls



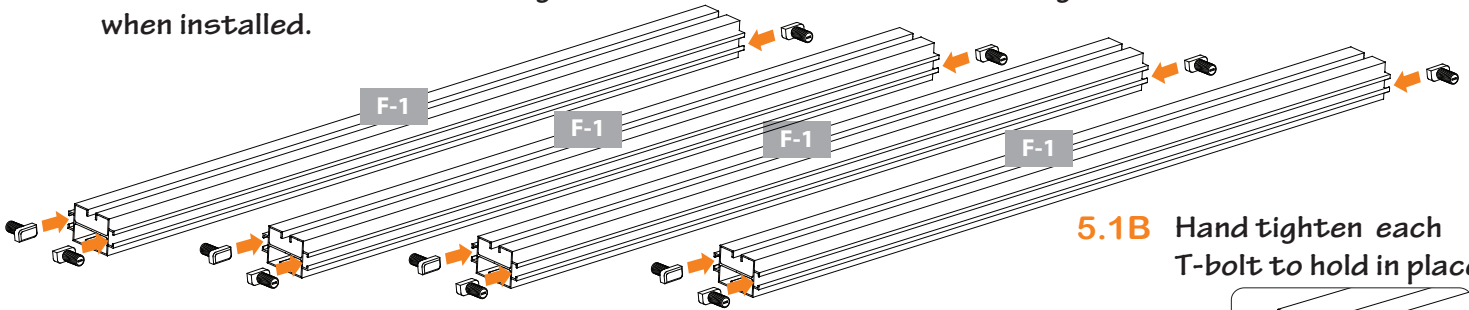
Make certain the pieces are in the correct positions before assembling. Carefully follow the order of assembly to ensure an easy installation. Wear proper safety gear including work shoes, gloves and goggles. Prepare required T-bolts as shown on page 4.



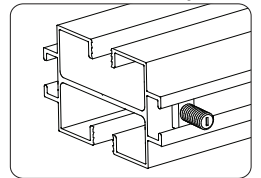
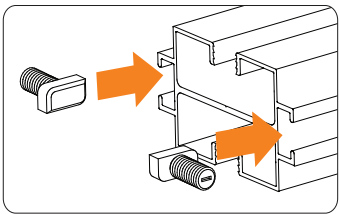
NOTE: The part quantities and drawings in this manual show one extension kit installed to an 8x8 greenhouse. If you are installing more than one kit, multiply the number of parts by the number of kits. Drawings are shown looking at the back of the greenhouse.


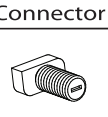
NOTE: Some of the parts listed were removed from your greenhouse. The others are included in the extension kit.

5.1A Prepare four F-1 wall profiles. Slide T-bolts into both bolt tracks on one end of profile and one bolt track on the other end. The single T-bolt will sit on the inside of the greenhouse near the base when installed.

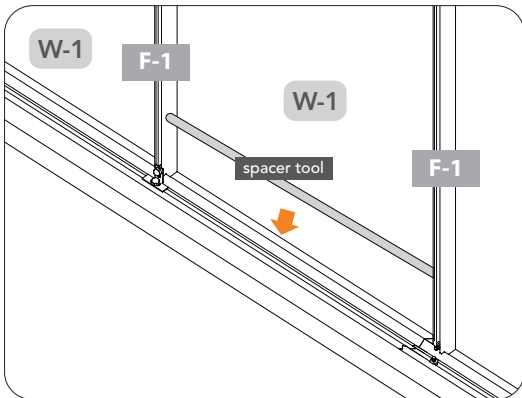
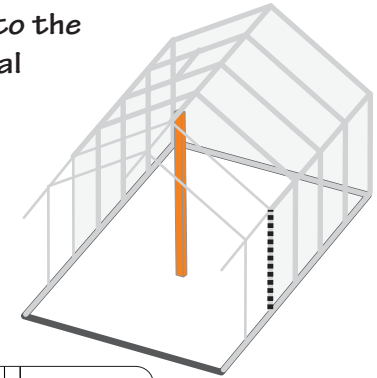


5.1B Hand tighten each T-bolt to hold in place.

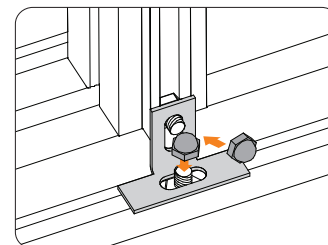
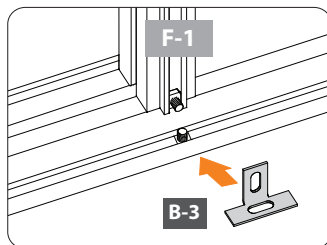


Profile	QTY	Connector	QTY	
 Profile ← 56" →	F-1	4	 S-7	12

5.2A Working from inside, begin to build one side wall by adding a F-1 profile to the W-1 panel. If you have the 23 inch spacer tool included with your original greenhouse, use that. If not, measure 23 inches between each of the F-1 profiles to ensure the panels are spaced properly. Position F-1 profiles so single T-bolt is next to base on inside.



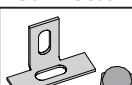

5.2B Fit B-3 connector onto base and F-1 profile. Secure with two S-2C bolts.



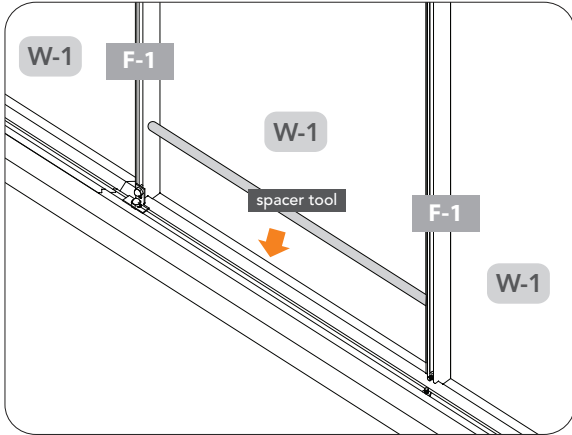
NOTE: VIEW FROM INSIDE.

NOTE: VIEWS FROM INSIDE.

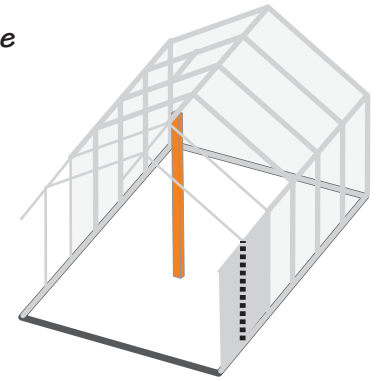
IMPORTANT: The panels expand and contract depending on the temperature. To ensure proper placement, use the 23 inch spacer included with original set of tools or measure 23 inches between two F-1 profiles.

Connector	QTY
 B-3	1
 S-2C	2

5.2C Continue working from inside. Remove plastic film from both sides of one W-1 panel. Fit panel into channels in base and F-1 profile, placing side marked "UV Resistant" facing outside.



NOTE: VIEW FROM INSIDE.

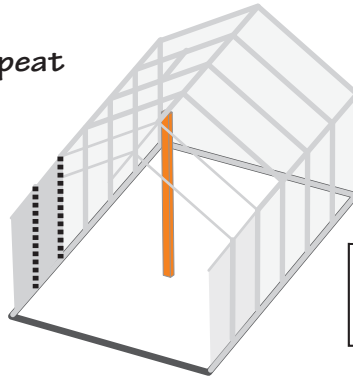


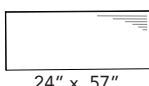
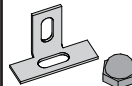
NOTE: Panels will not fit completely to end of channels. There will be some space to allow for temperature changes.

5.2D Repeat steps 5.2A through 5.2C to finish one side wall.

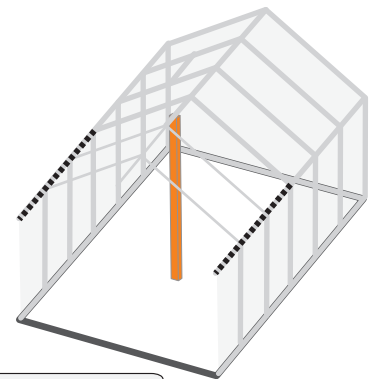
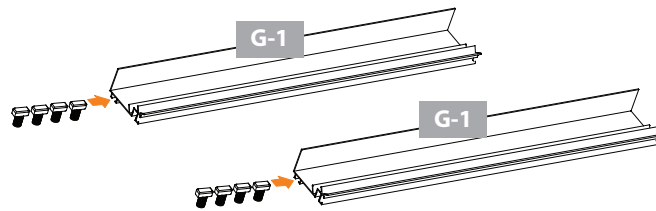
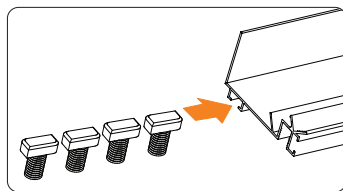
IMPORTANT: The panels expand and contract depending on the temperature. To ensure proper placement, use the 23 inch spacer included with original set of tools or measure 23 inches between two F-1 profiles.

5.2E Working from inside, repeat steps 5.2A through 5.2D to assemble the other side wall.



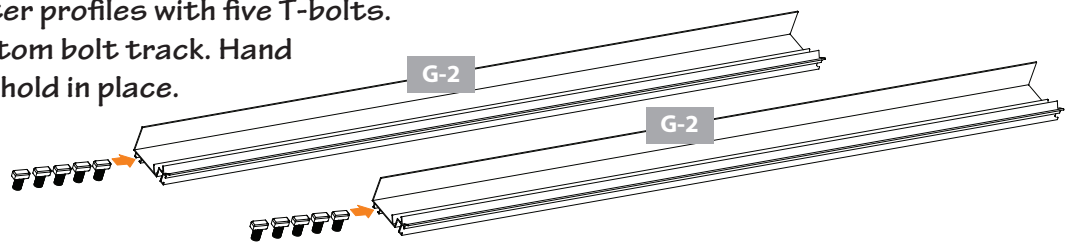
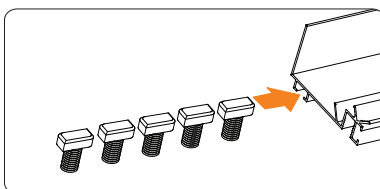
Panel		QTY	Connector		QTY
 24" x 57"	W-1	4		B-3 S-2C	3 6

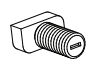

5.3A Prepare two G-1 gutter profiles by sliding four T-bolts into bottom bolt track. Hand tighten each end T-bolt to hold in place.



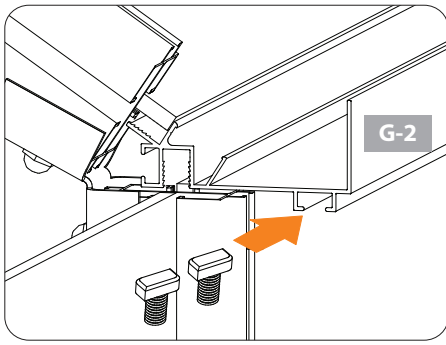
IMPORTANT: Set screws may be in position from when parts were removed. These instructions show proper amount and placement needed for assembly. Add or remove T-bolts to match instructions.

5.3B Prepare two G-2 gutter profiles with five T-bolts. Slide T-bolts into bottom bolt track. Hand tighten end T-bolt to hold in place.

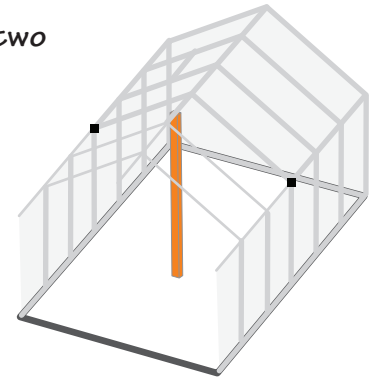
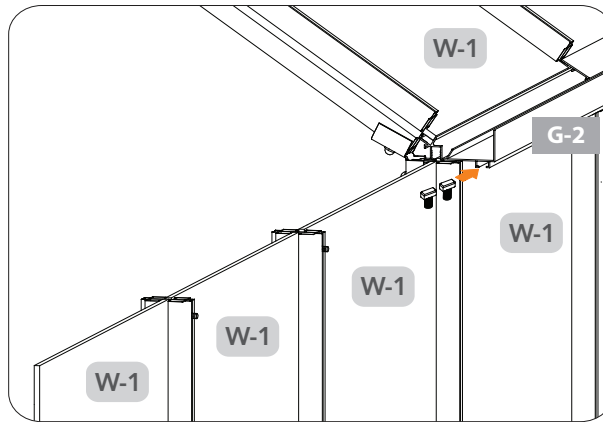


Connector		QTY	Profile		QTY
	S-7	18		25½"	G-1 2
				48½"	G-2 2

5.4A Prepare the G-2 gutter profile on one side of the greenhouse by sliding two T-bolts into bottom bolt track. Note: If there are unused T-bolts there, remove them.

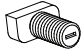


NOTE: VIEWS FROM INSIDE.

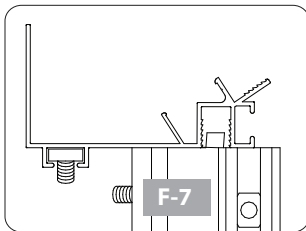


IMPORTANT: T-bolts may be in position from when parts were removed. These instructions show proper amount and placement needed for assembly. Add or remove T-bolts to match instructions.

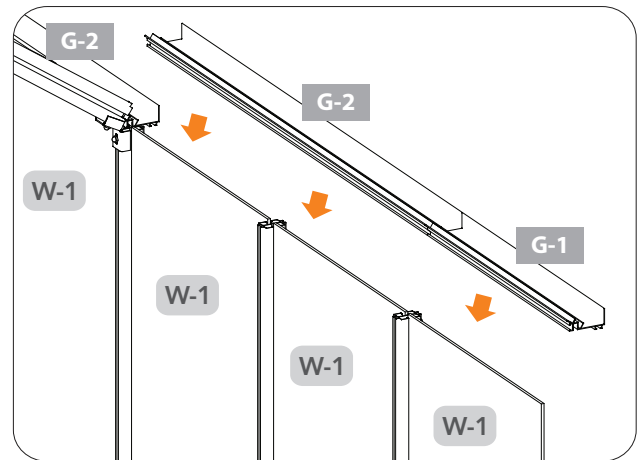
5.4B Repeat 5.4A to prepare G-2 gutter profile on other side of greenhouse.

Connector		QTY
	S-7	4

5.5A Working from inside, place G-1 and G-2 gutter profiles, fitting top edge of W-1 panels into channels of gutters. The G-2 gutter profile is placed next to the G-2 gutter profile on the greenhouse. Seams are centered to bolt tracks in F-1 profiles.

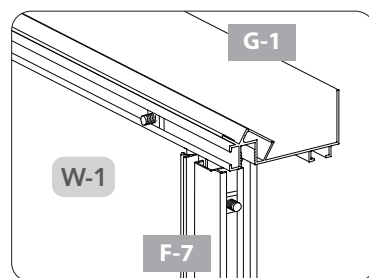
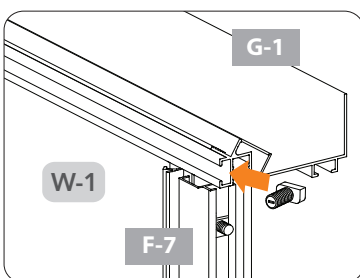


NOTE: At back, edge of G-1 gutter profile lines up flush with edge of F-7 corner profile.



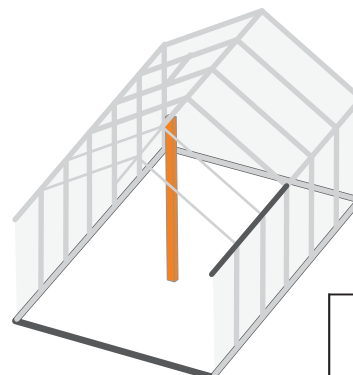
NOTE: VIEW FROM INSIDE.

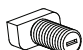
5.5B Place one T-bolt on the inside bolt track of the gutter at the back. Hand tighten both T-bolts to hold in place.



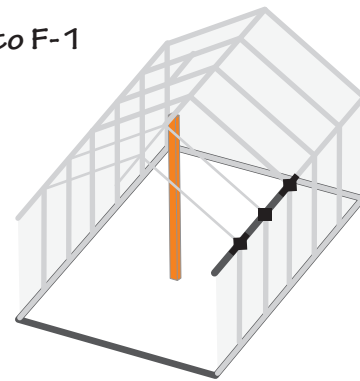
NOTE: VIEWS FROM INSIDE.

5.5C Repeat steps 5.5A through 5.5B to place gutters on other side.

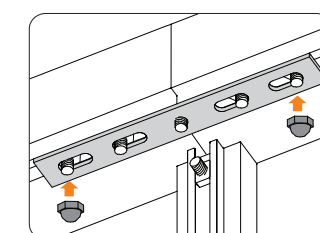
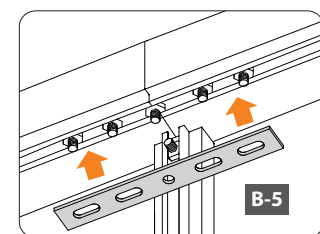
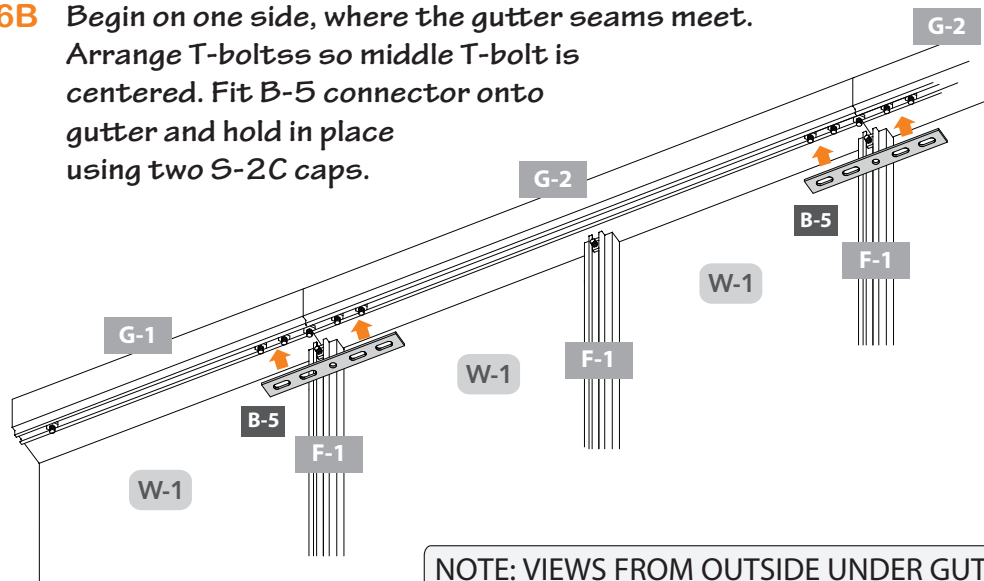


Connector		QTY
	S-7	2

5.6A The gutters are secured together using B-5 connectors and attached to F-1 side profiles using B-3 connectors on the outside of the greenhouse. The B-3 connector uses the set screw in the center hole of B-5 connectors at seams. Loosen and slide T-bolts to line up with connectors making sure the seams line up and the gutters remain straight.

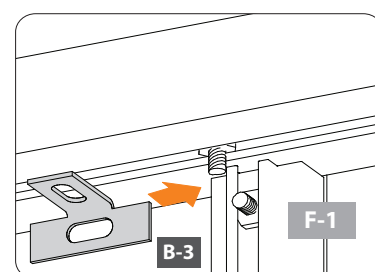
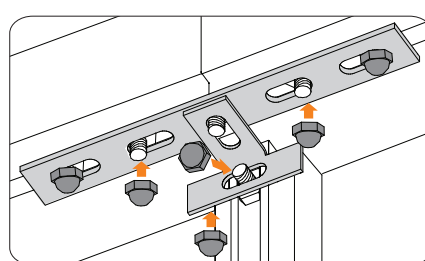
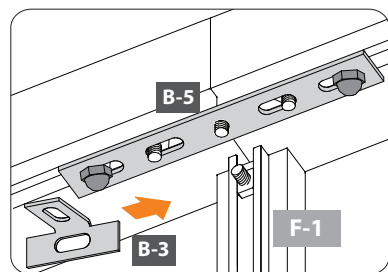


5.6B Begin on one side, where the gutter seams meet. Arrange T-bolts so middle T-bolt is centered. Fit B-5 connector onto gutter and hold in place using two S-2C caps.

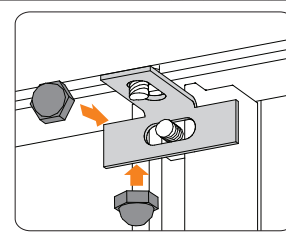


5.6C Loosen T-bolts on F-1 side profiles and slide down. Fit wide part of B-3 connector onto T-bolt, slide up into place, fitting gutter T-bolt at other end. Tighten T-bolts and secure with S-2C caps.

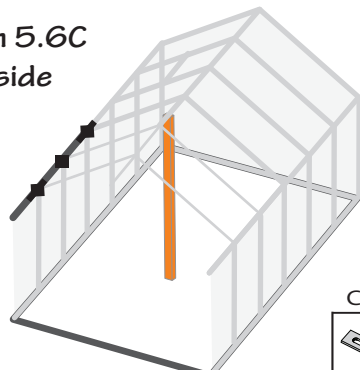
NOTE: The bottom of B-3 connector extends past the edges of side and corner profiles. B-3 connector sits over B-5 connector. Secure all with S-2Ccaps.

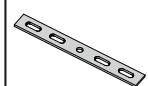
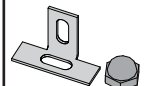



NOTE: VIEWS FROM OUTSIDE UNDER GUTTER.



5.6D Repeat steps 5.6B through 5.6C to secure gutters on other side of greenhouse extension.

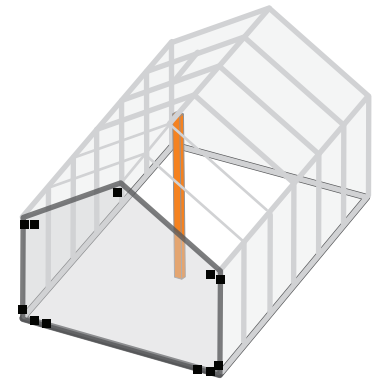


Connector	QTY	Connector	QTY		
	B-5	4		B-3	6
				S-2C	28

Reattach Back Wall to Extension



Make certain the pieces are in the correct positions before assembling. Carefully follow the order of assembly to ensure an easy installation. Wear proper safety gear including work shoes, gloves and goggles. Prepare required T-bolts as shown on page 5.

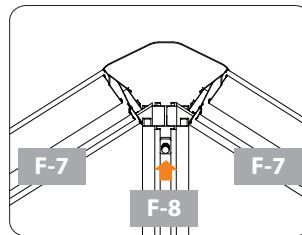


NOTE: The part quantities and drawings in this manual show one extension kit installed to an 8x8 greenhouse. If you are installing more than one kit, multiply the number of parts by the number of kits. Drawings are shown looking at the back of the greenhouse.

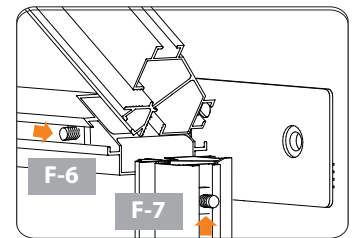
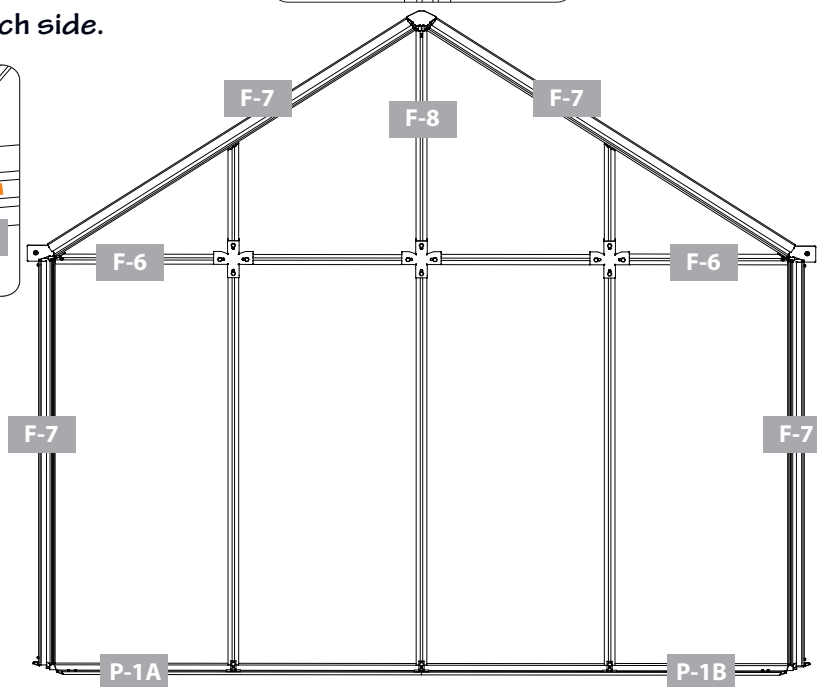
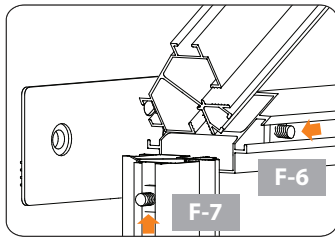
NOTE: Some of the parts listed were removed from your greenhouse. The others are included in the extension kit.

6.1A Make sure the T-bolts are still in proper position before moving the back wall. If they have moved or fallen out, then replace them now and hand tighten. There is one T-bolt near top of F-2 center back profile.

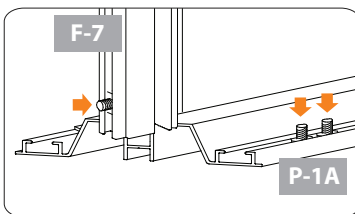
6.1B There is one T-bolt near top of F-7 corner profile and one T-bolt near corner in F-6 profile on each side.



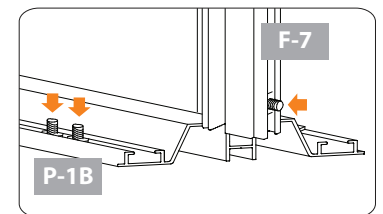
NOTE: VIEWS FROM INSIDE.



6.1C There is one T-bolt near bottom of F-7 corner profile and two T-bolts near corner in base profiles P-1A and P-1B.



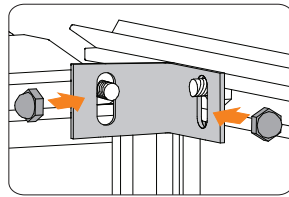
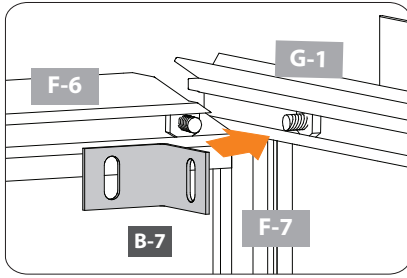
NOTE: VIEWS FROM INSIDE.



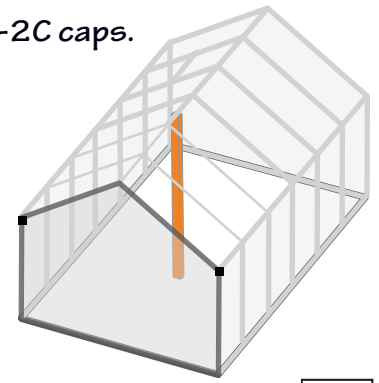
IMPORTANT: T-bolts may be in position from when parts were removed. These instructions show proper amount and placement needed for assembly. Add or remove T-bolts to match instructions.



6.1D Use two people to carefully move back onto wood platform, lining up profiles at the base and sides. Make sure the greenhouse is level and have one person hold back in place until it is secured.

6.2 From inside, add connector B-7 to each corner. Secure each with two S-2C caps.



NOTE: VIEWS FROM INSIDE.

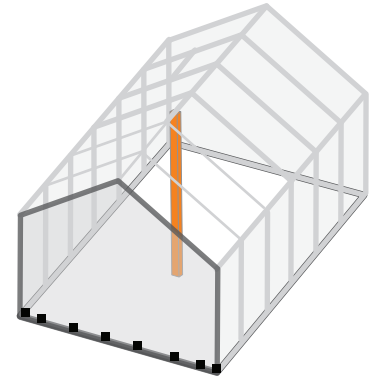
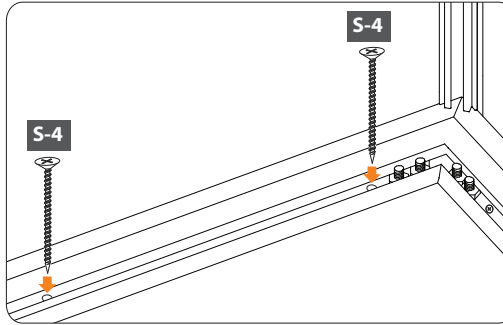


Connector	QTY
	B-7 2
	S-2C 4

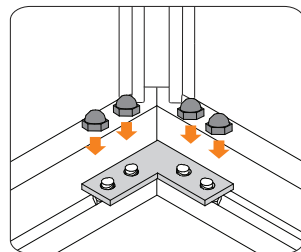
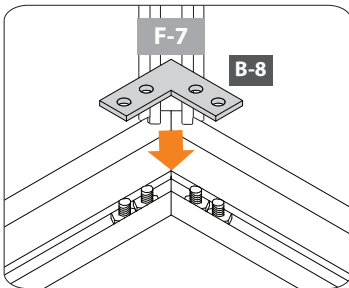
IMPORTANT: Bolt track of F-6 front profile is lower than bolt track of G-1 gutter profile.

6.3A Working from inside, make sure base profiles line up at corners and are level. Use S-4 wood screws to secure back base profile to wood base.


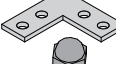

NOTE: VIEW FROM INSIDE.



6.3B Working from inside, loosen and adjust position of T-bolts to fit holes in B-8 corner connector. Secure each with four S-2C caps.

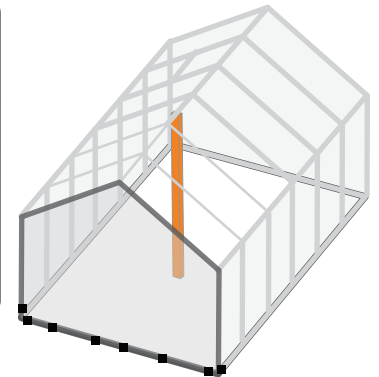
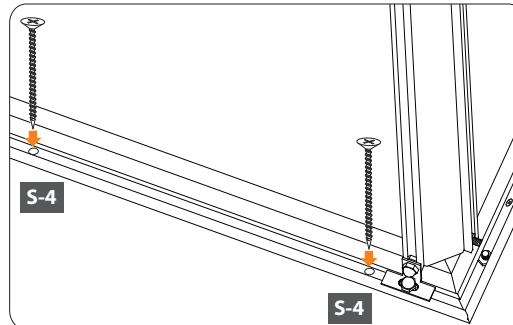


NOTE: VIEWS FROM INSIDE.

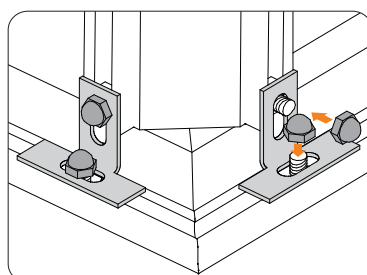
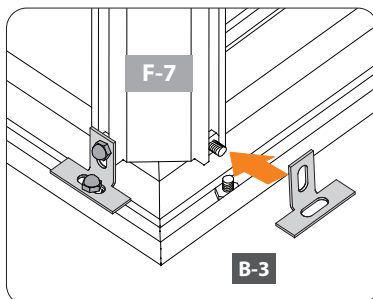
Connector	QTY	Connector	QTY
	S-4 6		B-8 2
			S-2C 8

6.4A Working from outside, make sure base profiles line up at corners and are level. Use S-4 wood screws to secure back base profile to wood base.




NOTE: VIEWS FROM OUTSIDE.



6.4B Working from outside, loosen and adjust position of T-bolts to fit holes in B-3 connector. Secure each with two S-2C caps.



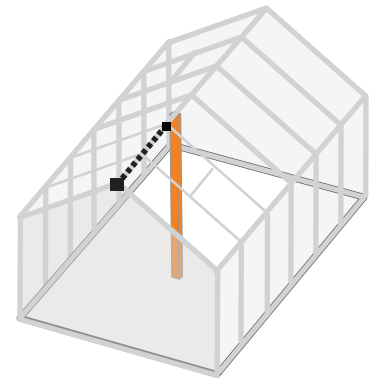
NOTE: VIEWS FROM OUTSIDE.

Connector	QTY	Connector	QTY
	S-4 6		B-3 2
			S-2C 4

Assemble Roof Ridge



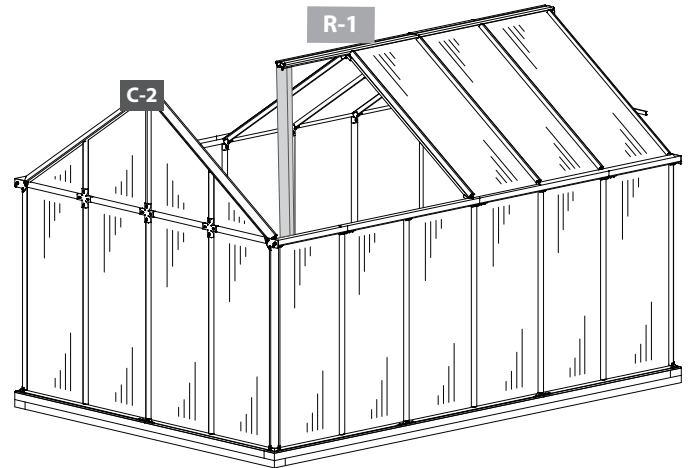
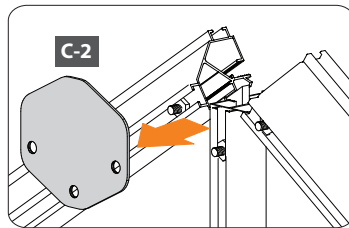
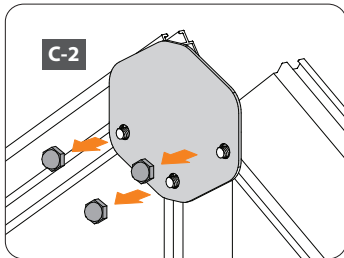
Make certain the pieces are in the correct positions before assembling. Carefully follow the order of assembly to ensure an easy installation. Wear proper safety gear including work shoes, gloves and goggles. Prepare required T-bolts as shown on page 5.



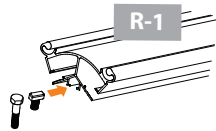
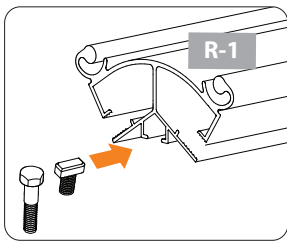
NOTE: The part quantities and drawings in this manual show one extension kit installed to an 8x8 greenhouse. If you are installing more than one kit, multiply the number of parts by the number of kits. Drawings are shown looking at the back of the greenhouse.

NOTE: Some of the parts listed were removed from your greenhouse. The others are included in the extension kit.

7.1 Working from outside, remove C-2 connector to ensure roof ridge is correctly placed. Make sure T-bolts remain in place. Place parts in staging area until they are reinstalled at the end of this step.

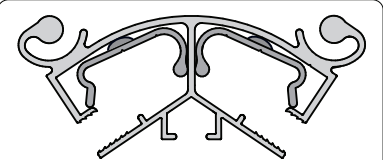
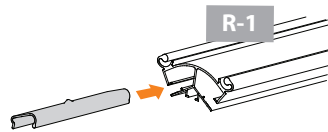
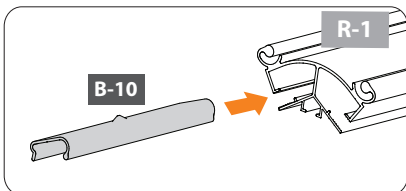


7.2A Working from inside, prepare R-1 roof ridge profile by sliding one T-bolt and one long bolt into end of bolt track.



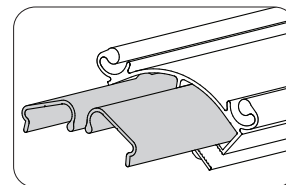
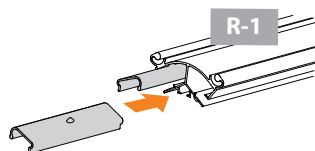
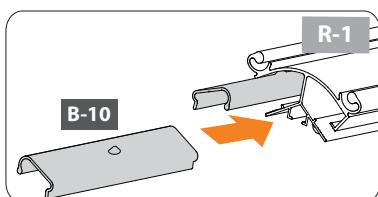
IMPORTANT: T-bolts may be in position from when parts were removed. These instructions show proper amount and placement needed for assembly. Add or remove T-bolts to match instructions.


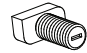
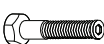
7.2B Install B-10 splice with C-curve positioned next to center opening in R-1 profile. Use screwdriver handle to tap until friction dimple holds it in place.



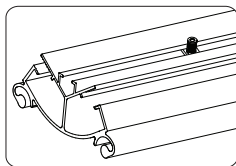
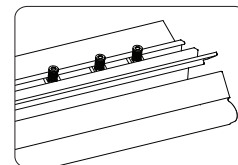
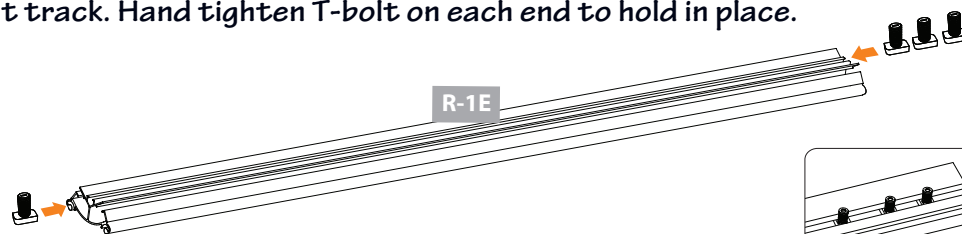
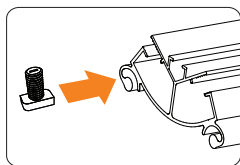
NOTE: Position each B-10 splice with C-curve next to center in R-1 and R-1E profile openings.

7.2C Install another B-10 splice with C-curve positioned next to center opening in R-1 profile. Use screwdriver handle to tap to push splice approximately 1/4" farther into profile than first splice.



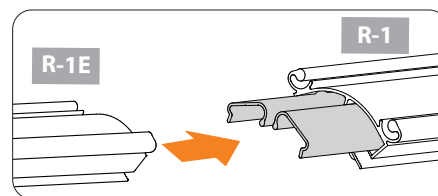
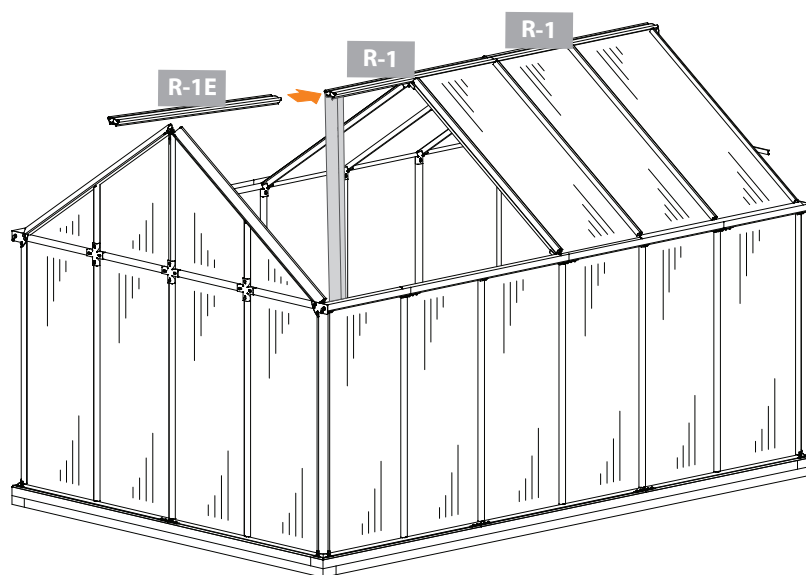
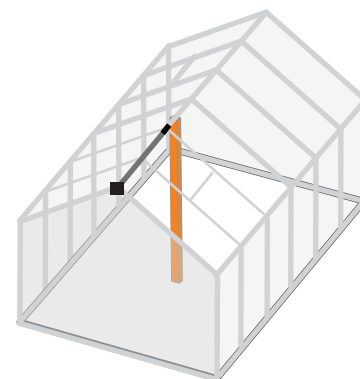
Connector	QTY	Connector	QTY
	B-10		1
			1

7.3 Prepare R-1E roof ridge extension profile by sliding one T-bolt into one end and three T-bolts into the other end of bolt track. Hand tighten T-bolt on each end to hold in place.



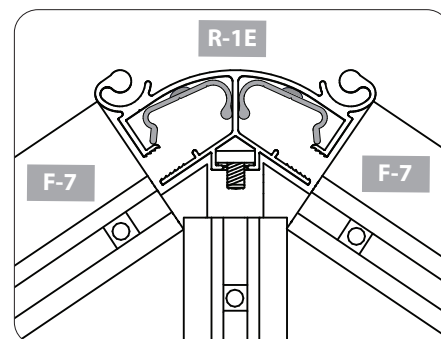
Profile	QTY	Connector	QTY	
	R-1E	1		S-7 5

7.4A Use two people and a step ladder. Place step ladder inside greenhouse. Have one person inside greenhouse position R-1E ridge so end with three T-bolts is next to R-1 profile. As you slide R-1E profile toward R-1 profile, make sure both B-10 splices fit into openings in R-1E profile. Continue sliding until seams are butted against each other.

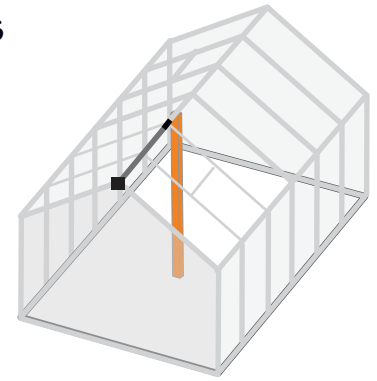
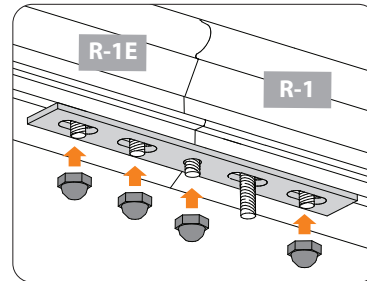
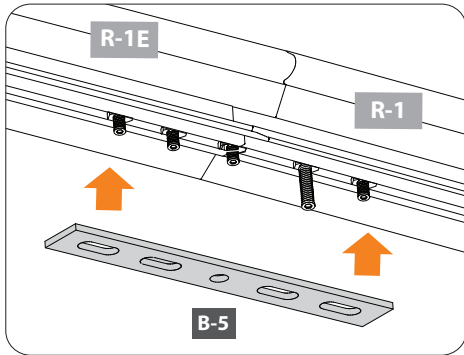


NOTE: The R-1 roof ridge profiles are 1¼ inch longer than the R-1E roof ridge extension profiles. For the roof profiles to line up properly, place the long bolt 5⁄8 inch from end of R-1 profile.

7.4B From outside, make sure end of R-1E roof ridge profile rests on and is flush with F-7 back profiles.

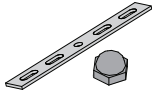



7.4C From inside, secure R-1 and R-1E roof ridge profiles together using B-5 connector. Make sure long bolt is $\frac{5}{8}$ " from edge of R-1 profile. Loosen T-bolts on either side and adjust position to fit holes in B-5 connector. Center B-5 connector over seam for most support.

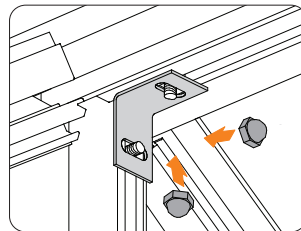
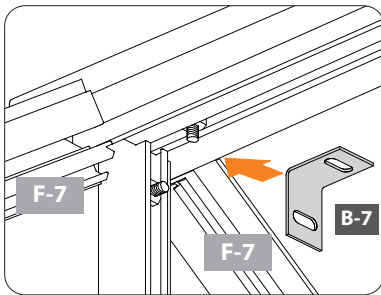


7.4D Secure B-5 connector by attaching S-2C caps to the T-bolts. NOTE: Long hex bolt is secured after installation.

NOTE: VIEWS FROM INSIDE UNDER ROOF RIDGE.

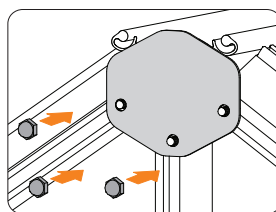
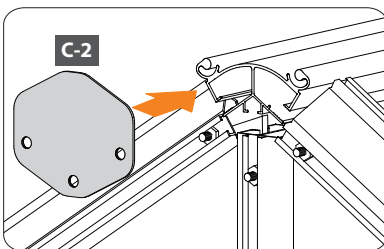
Connector	QTY
	B-5 1
	S-2C 4

7.5A Working from inside, secure roof ridge to back end wall. Loosen T-bolts and adjust position to fit holes in B-7 connector. Secure with two S-2C caps.

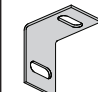
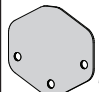




NOTE: VIEWS FROM INSIDE.

7.5B Working from outside, ensure all pieces are still flush. If needed, loosen T-bolts and adjust position to fit holes in C-2 connector. Secure with three S-2C caps.



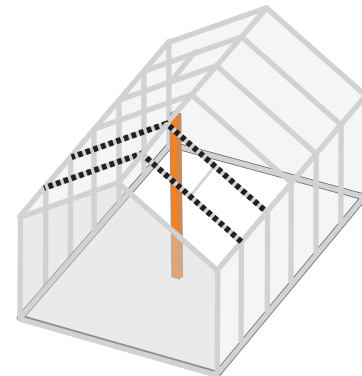
NOTE: VIEWS FROM OUTSIDE.

Connector	QTY	Connector	QTY
	B-7 1		C-2 1
	S-2C 2		S-2C 3

Assemble Roof



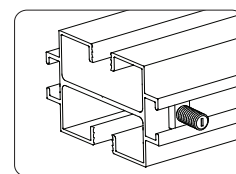
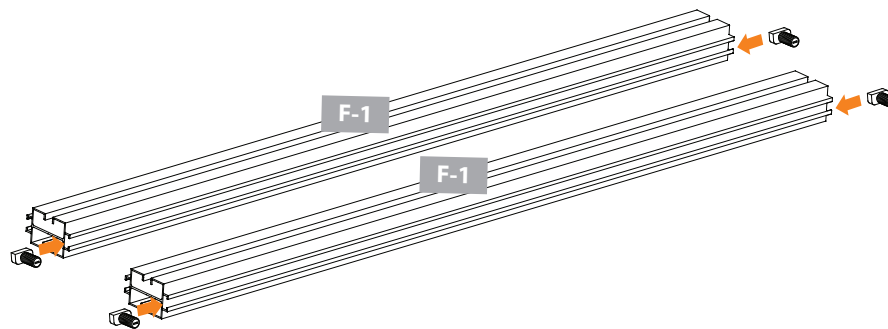
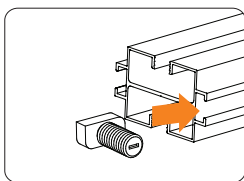
Make certain the pieces are in the correct positions before assembling. Carefully follow the order of assembly to ensure an easy installation. Wear proper safety gear including work shoes, gloves and goggles. Prepare required T-bolts as shown on page 5.



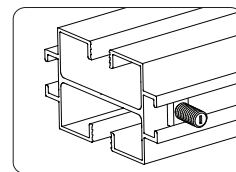
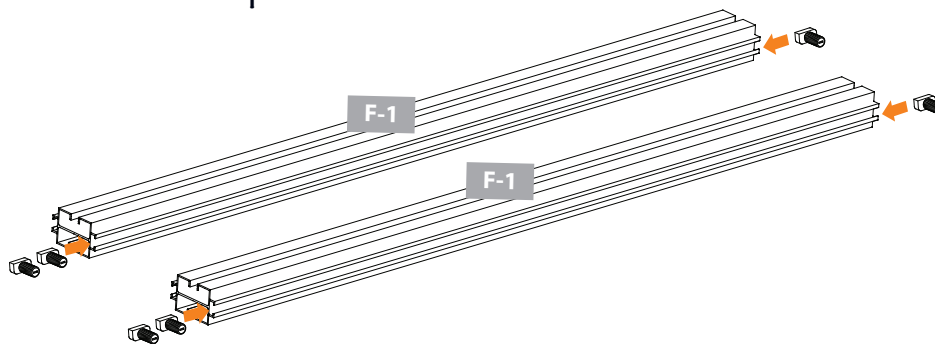
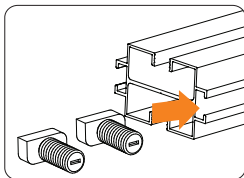
NOTE: The part quantities and drawings in this manual show one extension kit installed to an 8x8 greenhouse. If you are installing more than one kit, multiply the number of parts by the number of kits. Drawings are shown looking at the back of the greenhouse.

NOTE: Some of the parts listed were removed from your greenhouse. The others are included in the extension kit.

8.1A Prepare all profiles for roof. Prepare two F-1 profiles. Slide one T-bolt into bolt track on each end of profile. Tighten to hold in place.



8.1B Prepare two F-1 profiles to be used with brace. Slide two T-bolts into bolt track on one end and one T-bolt on the other end of profile.

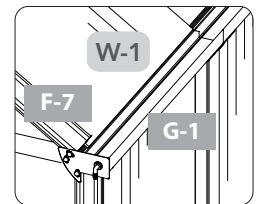
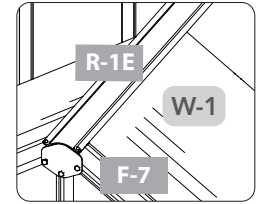
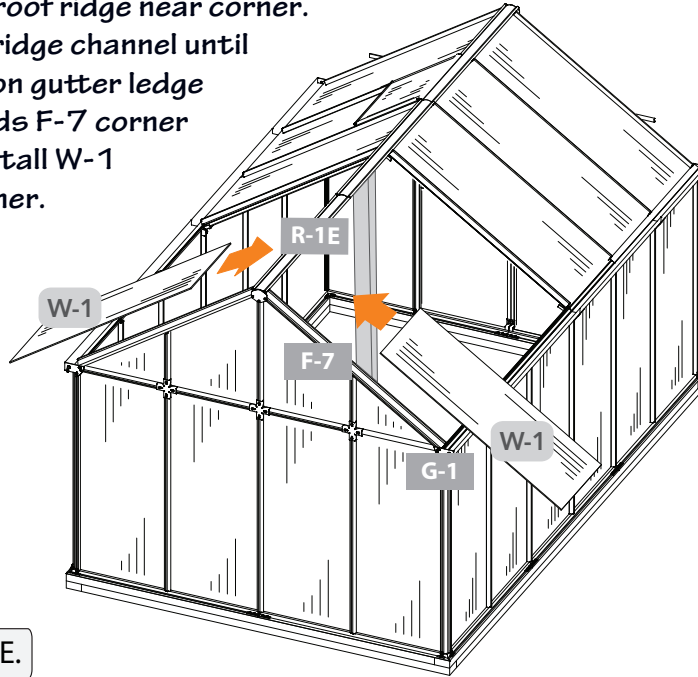
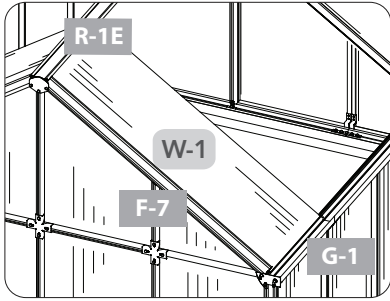


8.1C Measure 19 5/8 inches from one side of profile. Slide middle set screw to that point and tighten to hold in place. Tighten the other two set screws on each end of profile.



Profile	QTY	Connector	QTY
	F-1		S-7
	4		10

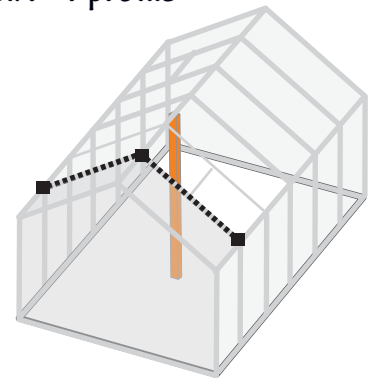
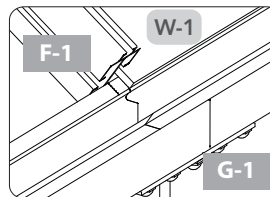
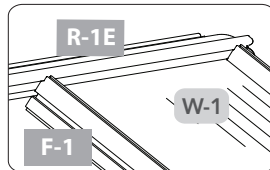
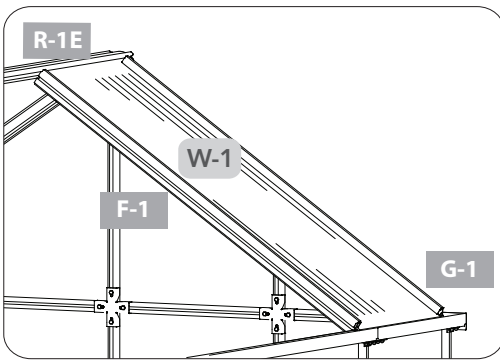
8.2A Working from back right corner, remove plastic film from both sides of one W-1 panel. With side marked "UV Resistant" facing outside, fit top end of panel into channel in R-1E roof ridge near corner. Push panel into roof ridge channel until the other end rests on gutter ledge and then slide towards F-7 corner profile. Repeat to install W-1 panel in back left corner.



NOTE: VIEWS FROM OUTSIDE.

IMPORTANT: The panels expand and contract depending on the temperature. Under some conditions, the panels may require slight force to install. Do not use excessive force or you may move profiles out of position. If you are having difficulty sliding the panels, use dish soap with water on the edges as a lubricant.

8.2B With two set screws facing inside, fit one F-1 profile next to right panel. F-1 profile rests against widest part of roof ridge and lines up with top of gutter.

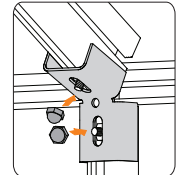
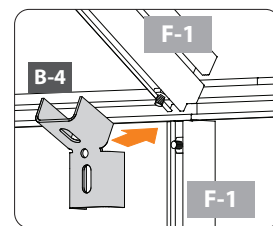


8.2C From inside, hold profile in place with one B-4 connector. Secure with two S-2C caps.

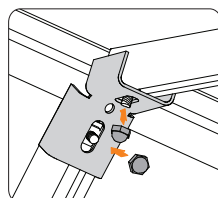
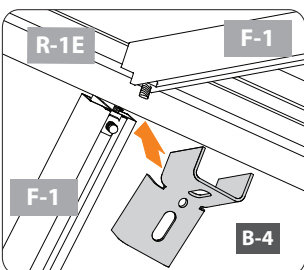
NOTE: VIEWS FROM OUTSIDE FROM FRONT LOOKING TOWARDS BACK.

8.2D Repeat step 8.2B through 8.2C to secure install and secure F-1 profile on left side.


8.2E Hold two profiles together at roof ridge using one B-4 connector. Secure with two S-2C caps.



NOTE: VIEWS FROM INSIDE.

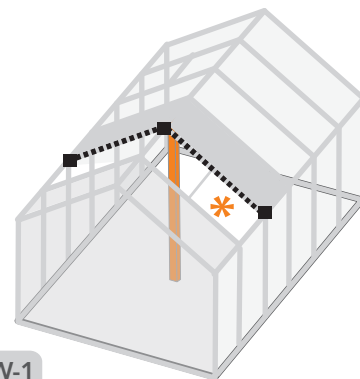
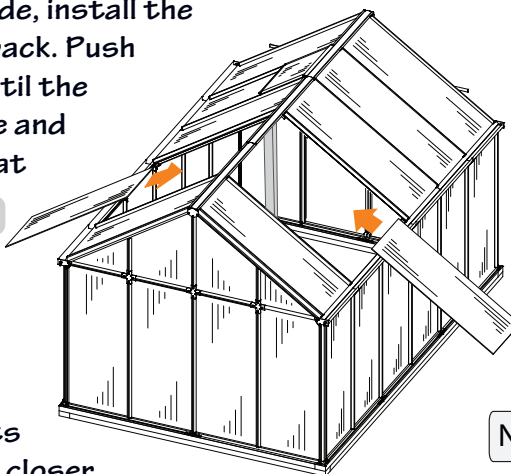


NOTE: VIEWS FROM INSIDE.

Panel	QTY	Connector	QTY
 24" x 57"	W-1	2	B-4 S-2C
			3 6

8.3A Use the two W-1 panels you removed previously. With UV Resistant side facing outside, install the next panel on the right at the back. Push panel into roof ridge channel until the other end rests on gutter ledge and then slide towards F-1 profile at back. Repeat to install W-1 panel on left.

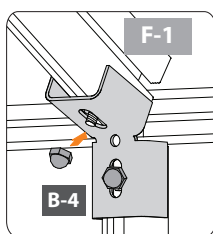
W-1



W-1

NOTE: VIEW FROM OUTSIDE.

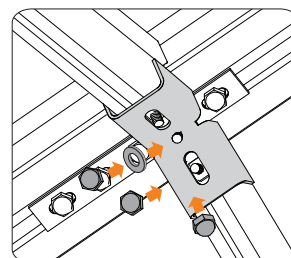
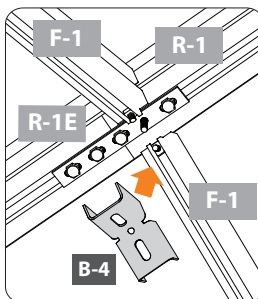
8.3B From inside, fit one F-1 profile with three set screws next to panel. Position profile so T-bolts face inside and middle T-bolt is closer to top. Fit other end into B-4 connector and secure with one S-2C cap. Repeat to install F-1 profile on opposite side.

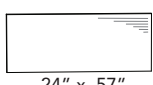





NOTE: VIEWS FROM INSIDE.

8.3C Hold two profiles together in place at ridge using one B-4 connector. Line up center hole with long hex bolt in roof ridge. Place washer on long bolt and secure all screws with three S-2C caps.

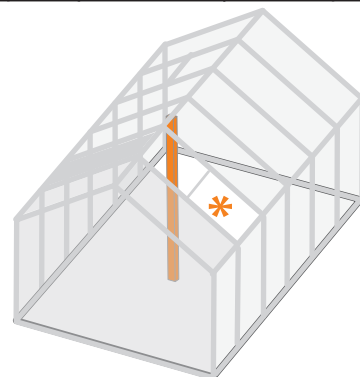
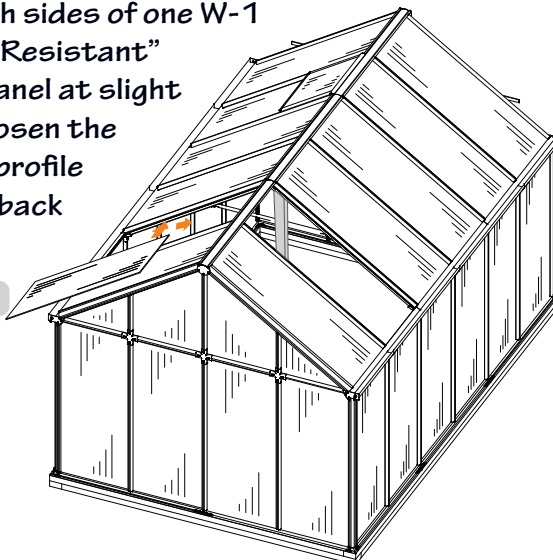
NOTE: VIEWS FROM INSIDE.



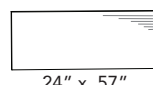
Panel	QTY	Connector	QTY	Connector	QTY
 24" x 57"	W-1	2		B-4	1
		4		S-2C	3
				S-5B	1

8.4A Remove plastic film from both sides of one W-1 panel. With side marked "UV Resistant" facing outside, install next panel at slight angle on left. If necessary, loosen the previous B-4 connector and profile and move them towards the back of the greenhouse to make more room to fit panel in place.

W-1

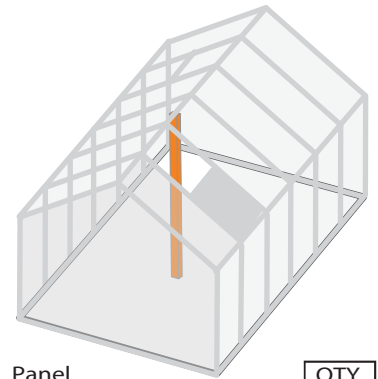
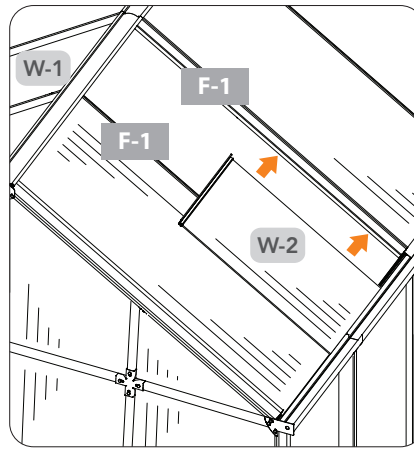



NOTE: VIEW FROM OUTSIDE.

Panel	QTY
 24" x 57"	W-1
	1

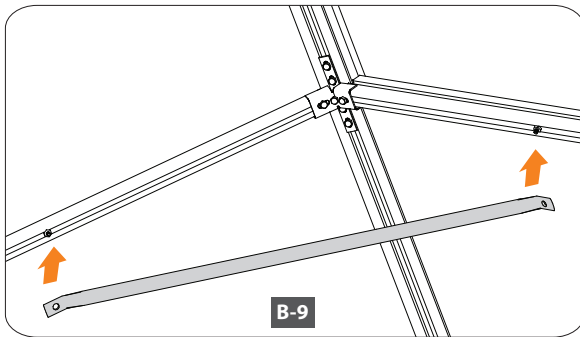
8.4B Remove plastic film from both sides of one W-2 panel. From outside, position panel with extended ledge profile at outside top. Install panel at slight angle sliding all the way into F-1 profile. Fit other end into opposite F-1 profile. If necessary apply slight pressure to bend panel and snap into place.

NOTE: VIEWS FROM OUTSIDE.

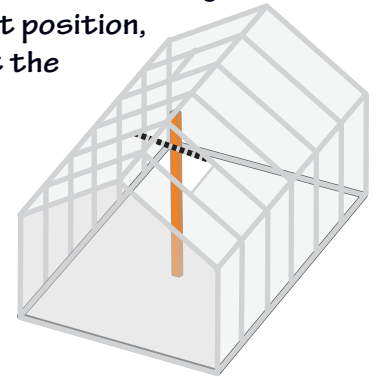
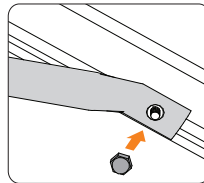
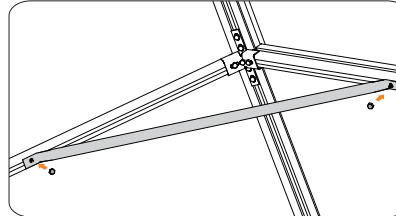


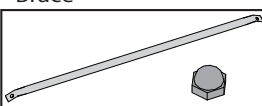

Panel		QTY
 24" x 32 1/4"	W-2	1

8.5 Have one person stand outside the greenhouse to observe the position of the roof ridge while the other person installs the B-9 brace. The T-bolts should be in the correct position, but if the roof is not completely straight, loosen the T-bolts and adjust the brace to raise or lower the roof line. Secure with two S-2C caps.

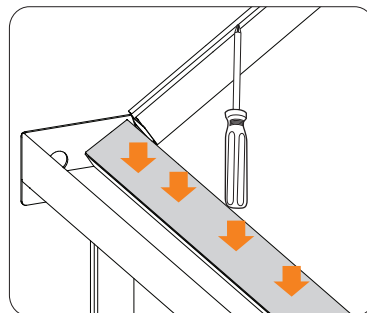
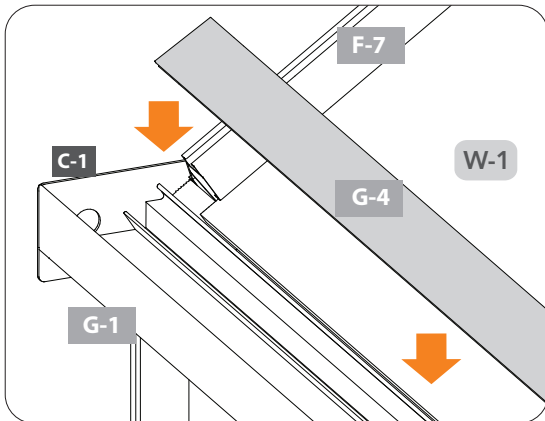


NOTE: VIEWS FROM INSIDE.

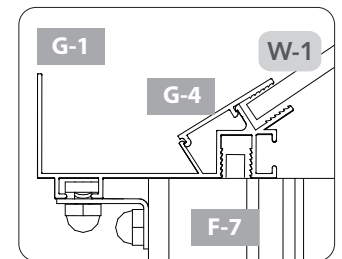
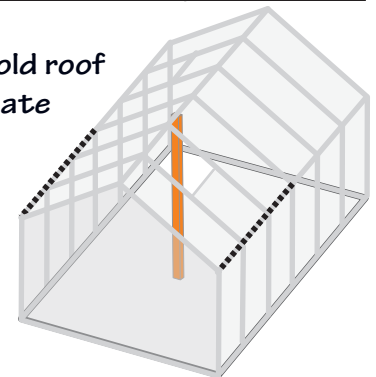


Brace		QTY
	B-9	1
	S-2C	2

8.6 The G-4 and G-4E trim plates snap into G-1 and G-2 gutter profiles to hold roof panels in place. Working from outside, begin at front. Position G-4 trim plate over gutter and use handle of screw driver to tap into place. Use one G-4 and one G-4E trim plates on each side. Make sure the seams of the trim plates are flush with each other and to the C-1 connectors at the front. There may be a slight gap at the rear C-1 connector depending on weather conditions.

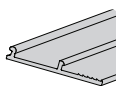
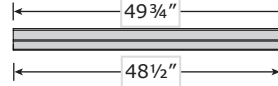


NOTE: VIEWS FROM OUTSIDE.



NOTE: View shows alignment of G-4 and G-1 only.

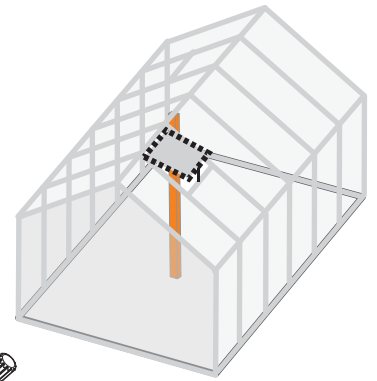
NOTE: To aid in rain collection and prevent water leakage we recommend sealing the inside of the gutter profiles at each joint using silicone caulking.

Trim Plate		QTY
 49 3/4"	G-4	2
 48 1/2"	G-4E	2

Install Roof Vent

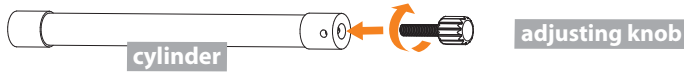


Make certain the pieces are in the correct positions before assembling. Carefully follow the order of assembly to ensure an easy installation. Wear proper safety gear including work shoes, gloves and goggles.

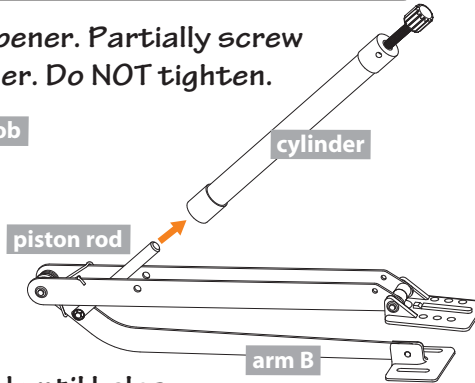


NOTE: The part quantities and drawings in this manual show one extension kit installed to an 8x8 greenhouse. If you are installing more than one kit, multiply the number of parts by the number of kits. Drawings are shown looking at the back of the greenhouse.

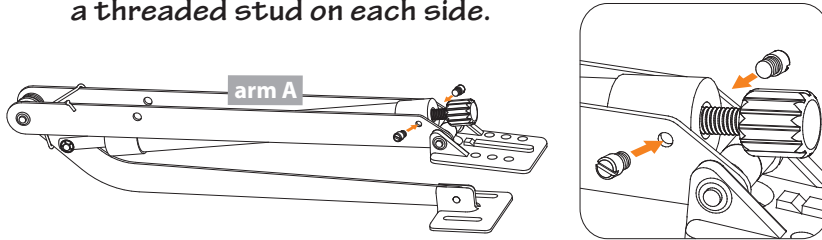
9.1A Unpack contents of Automatic Window Opener. Partially screw adjusting knob into threaded end of cylinder. Do NOT tighten.



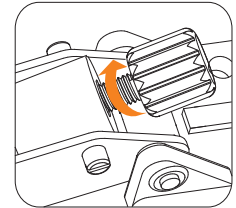
9.1B Fit piston rod connected to arm B into end of cylinder. Turn cylinder so holes next to adjusting knob are visible.



9.1C Continue pushing cylinder onto piston rod until holes in end of cylinder line up with holes in arm A. Push arms apart if necessary. Secure with a threaded stud on each side.



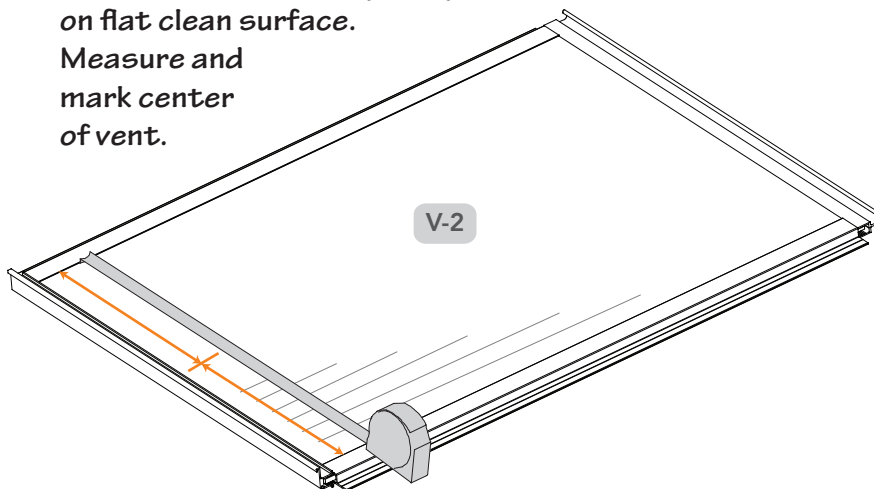
9.1D Turn adjusting screw clockwise until arms are approximately 6" apart.



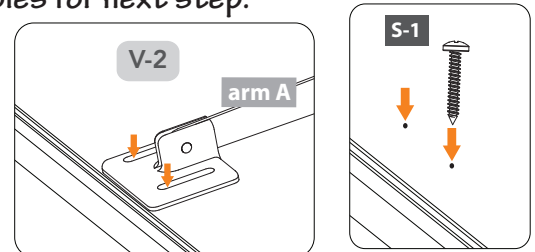
NOTE: You will use the Gripping Channels in next steps. You do not need the other included parts in Window Opener package.

Handle	QTY	Cylinder	QTY	Adjusting Knob	QTY	Threaded Stud	QTY
	1		1		1		2

9.2A Remove plastic film from both sides of V-2 factory assembled vents. With side labeled "Face inside" facing up, lay panel on flat clean surface. Measure and mark center of vent.

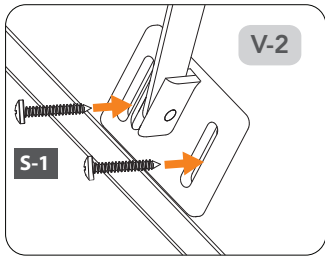


9.2B Place opener with arm A on bottom inside vent. Mark screw placement. Using S-1 screw, apply pressure to puncture the panel and predrill holes for next step.

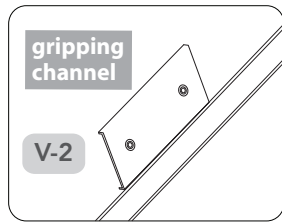


Factory Assembled Vent	QTY
24" x 25½"	1
V-2	1


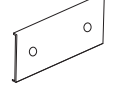
9.2C Screw two S-1 screws through V-2 panel. Line up gripping channel on other side. Continue to screw until secure. Do not over tighten as it may damage the vent.



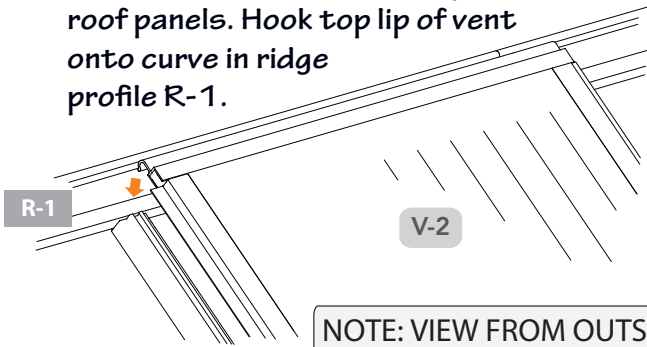
NOTE: VIEW FROM INSIDE.



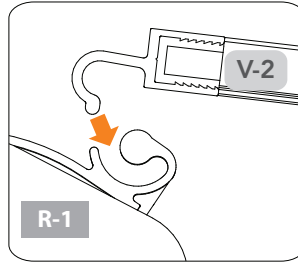
NOTE: VIEW FROM OUTSIDE.

Connector		QTY	Gripping Channel	QTY
	S-1	2		1

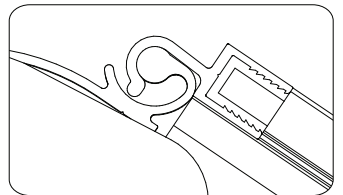
9.3A From inside, hold Window Opener closed against vent. Slide vent at an angle through opening in roof panels. Hook top lip of vent onto curve in ridge profile R-1.



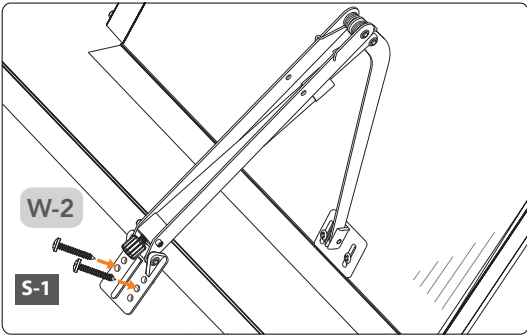
NOTE: VIEW FROM OUTSIDE.



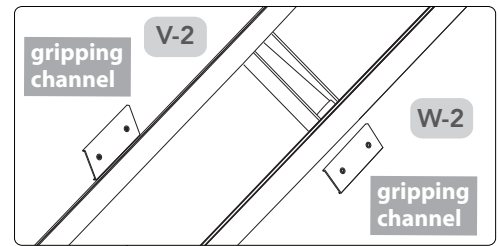
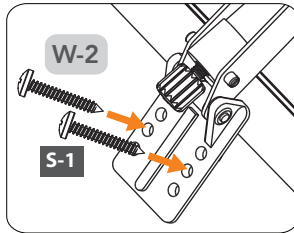
NOTE: VIEWS FROM FRONT.




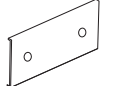
9.3B Outside of vent rests on top of ledge on W-2 profile. Open vent to attach the other arm of opener to top of inside W-2 profile. Position with arm overlapping trim so adjusting screw can move freely. Screw two S-1 screws through panel and into gripping channel on other side to secure. Do not over tighten as it may damage the vent.



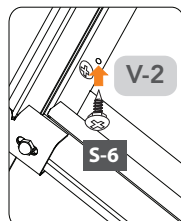
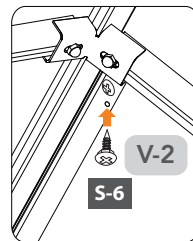
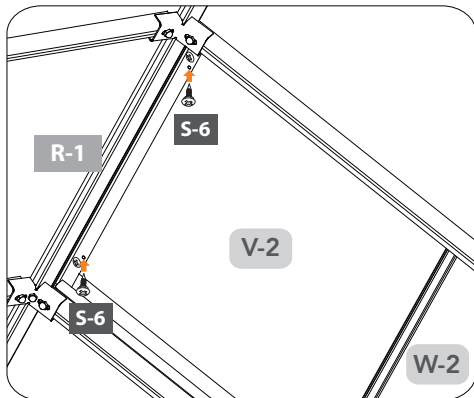
NOTE: VIEWS FROM INSIDE.




NOTE: VIEW FROM OUTSIDE.

Connector		QTY	Gripping Channel	QTY
	S-1	2		1

9.4A From inside screw S-6 screw and spacer into the holes on each end of the top of the vent. This will secure the vent to the greenhouse in very windy conditions.



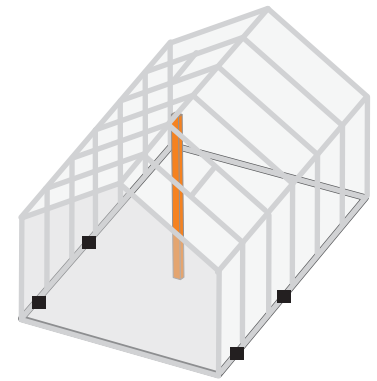
NOTE: VIEWS FROM INSIDE.

Connector		QTY
	S-6	2

Secure to Ground



Make certain the pieces are in the correct positions before assembling. Carefully follow the order of assembly to ensure an easy installation. Wear proper safety gear including work shoes, gloves and goggles. Prepare required T-bolts as shown on page 5.

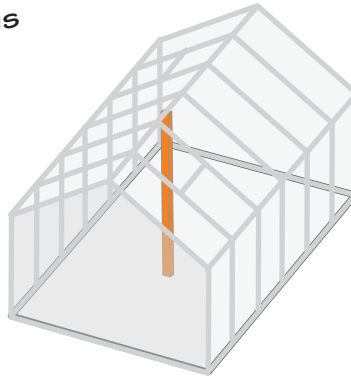


NOTE: The part quantities and drawings in this manual show one extension kit installed to an 8x8 greenhouse. If you are installing more than one kit, multiply the number of parts by the number of kits. Drawings are shown looking at the back of the greenhouse.

NOTE: Some of the parts listed were removed from your greenhouse. The others are included in the extension kit.

10.1 Remove the ninety inch 2x4 used as support during this installation.

NOTE: VIEWS FROM OUTSIDE.

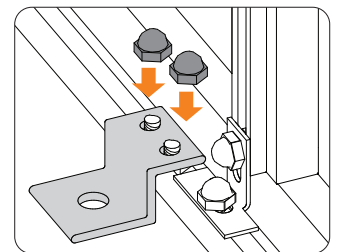
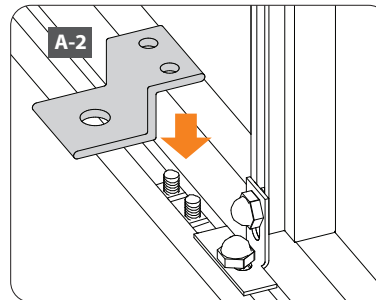


2 x 4 Lumber		QTY
← 90" →		1

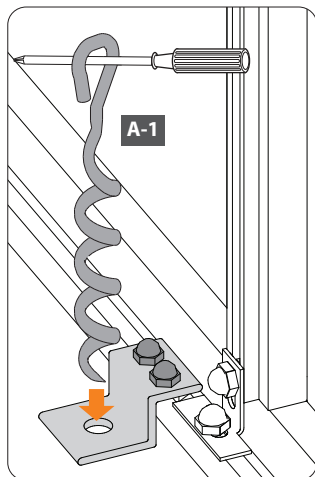
10.2 Use A-1 ground anchors with A-2 anchor brackets on the inside of the greenhouse to secure it to the ground. Place one on each side near the back and end of the extension base profile.

10.2A Attach each anchor bracket with two T-bolts in the inside bolt channels in base profile. Secure each with two S-2C caps.

NOTE: VIEWS FROM INSIDE.



10.2B Screw each A-1 ground anchor through hole in center of bracket. Use a screw driver through the top of A-1 anchor to screw completely into soil. Make certain it is secured in ground.



NOTE: VIEWS FROM INSIDE.

Ground Anchor		QTY	Bracket		QTY
	A-1	4		A-2 S-2C	4 8