

# Geo Counter Table

Part # CT-GEO XX+XX

180409

**PARTS**



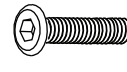
A



B



x2  
C



(M8x15mm)  
x6  
D



(M6x8mm)  
x4  
E

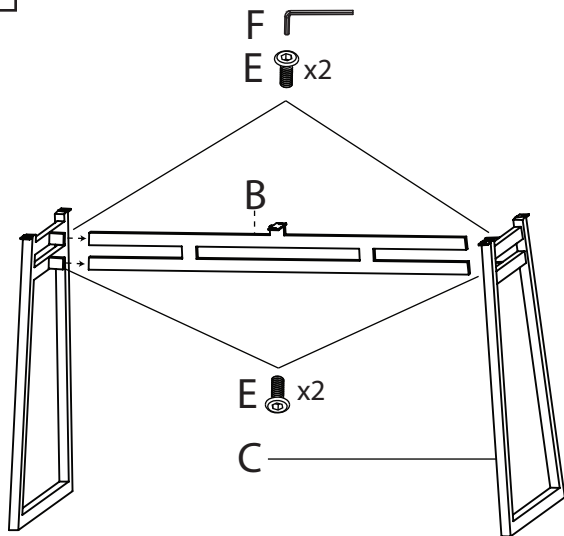


(M6)  
F

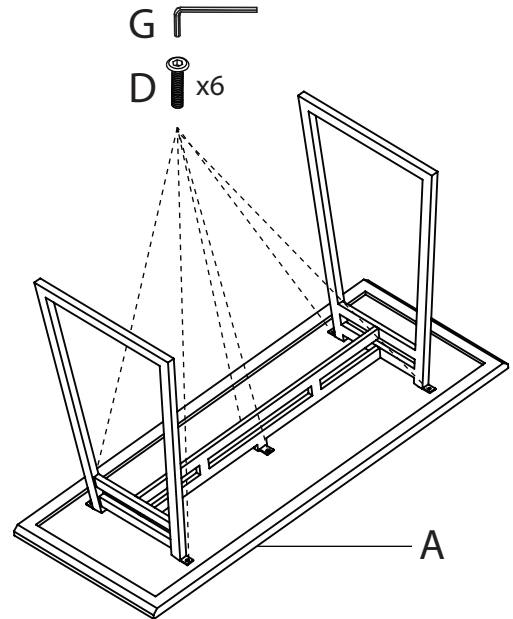


(M8)  
G

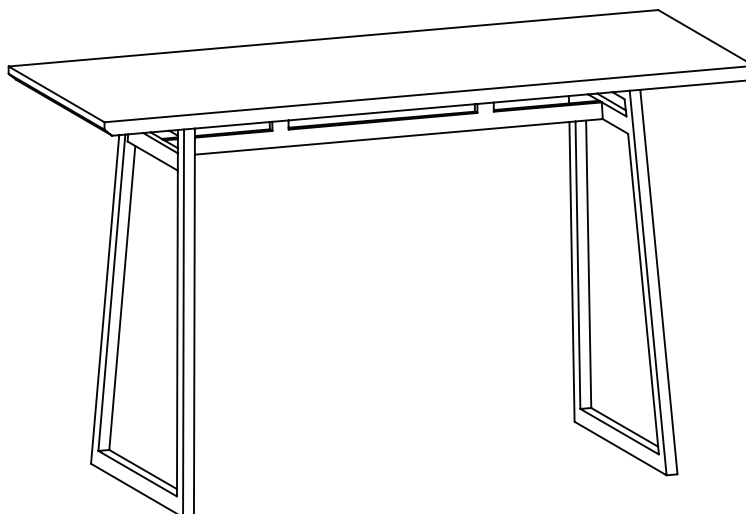
**1**



**2**



**3**



Do not over tighten.  
 Do not use power tools to assemble.