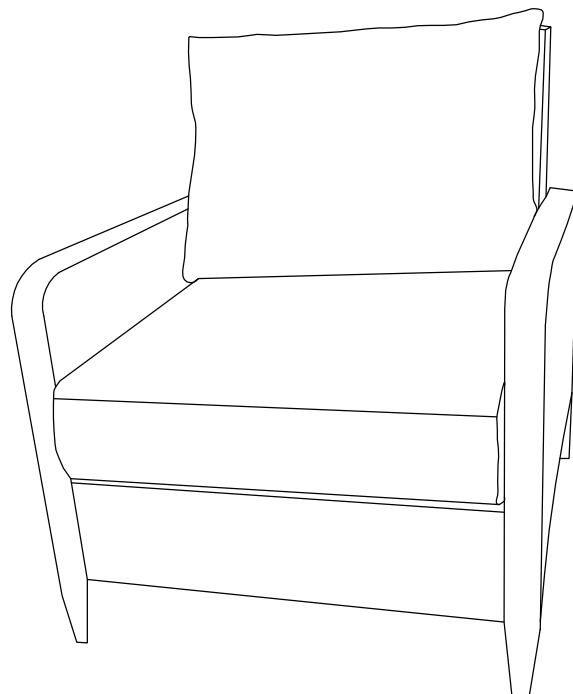



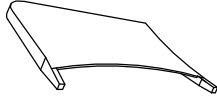
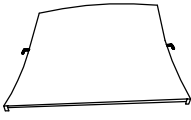
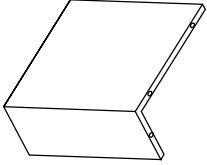
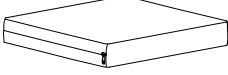



Kiawah Outdoor Wicker Arm Chair

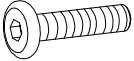
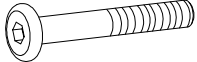
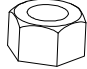

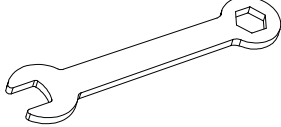

CO7118-BR



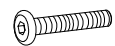
PART LIST

					
Left Arm Panel		Right Arm Panel		Back Panel	
A	1PC	B	1PC	C	1PC
					
Seat Panel		Seat Cushion		Back Cushion	
D	1PC	E	2PCS	F	2PCS

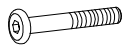
HARDWARE LIST

					
Short Bolt(M6*40mm)		Long Bolt(M6*50mm)		Nut(M6mm)	
G	6PCS	H	4PCS	I	4PCS
					
Washer(M6mm)		Wrench(M6mm)		Allen Key(M6mm)	
J	14PCS	K	1PC	L	1PC

EXTRA HARDWARE LIST



G X2PCS



H X1PC



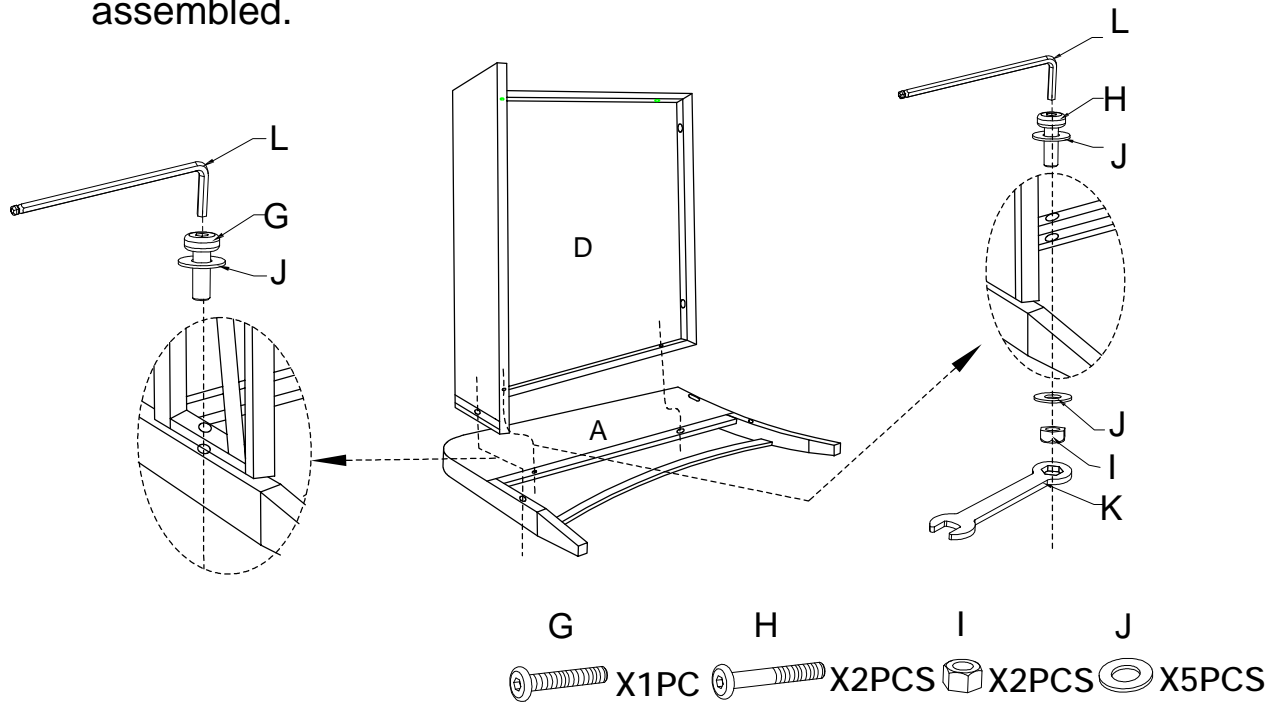
I X1PC



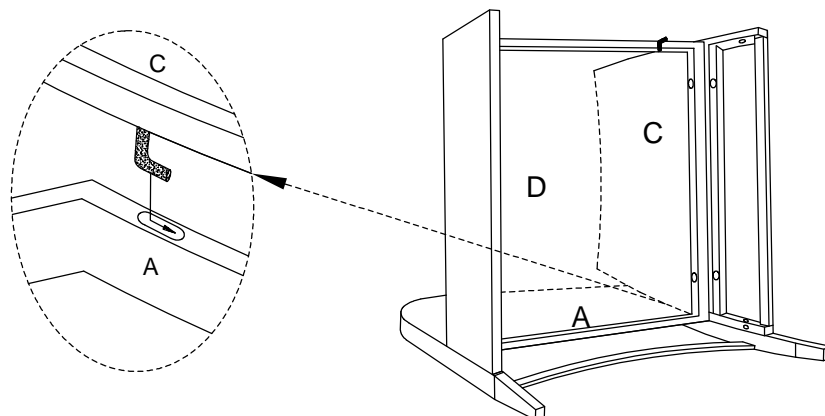
J X3PCS

Step 1. Lay Left Arm Panel (A) down on a flat surface. Attach Seat Panel(D) to Left Arm Panel(A) using the Short Bolts(G), Long Bolts(H), Washers(J), Nuts(I), Wrench(K) & Allen Key (L).

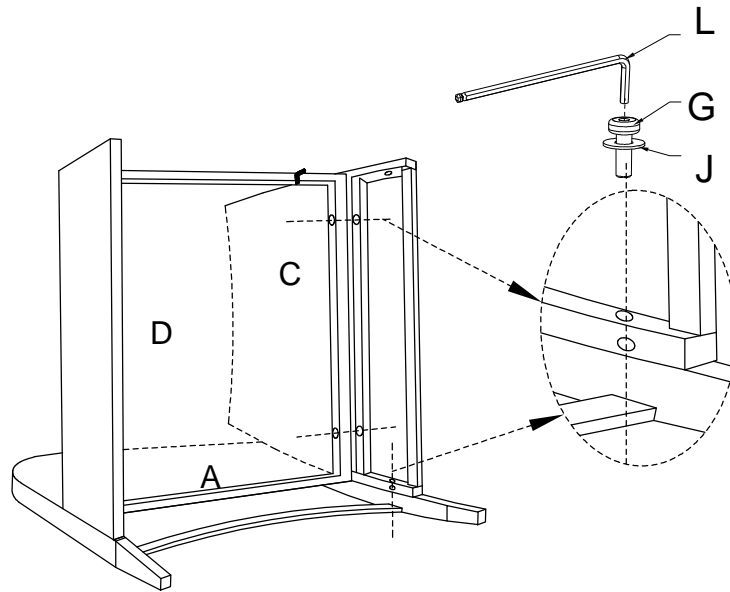
NOTE: Please do not fully tighten bolts until unit is fully assembled.



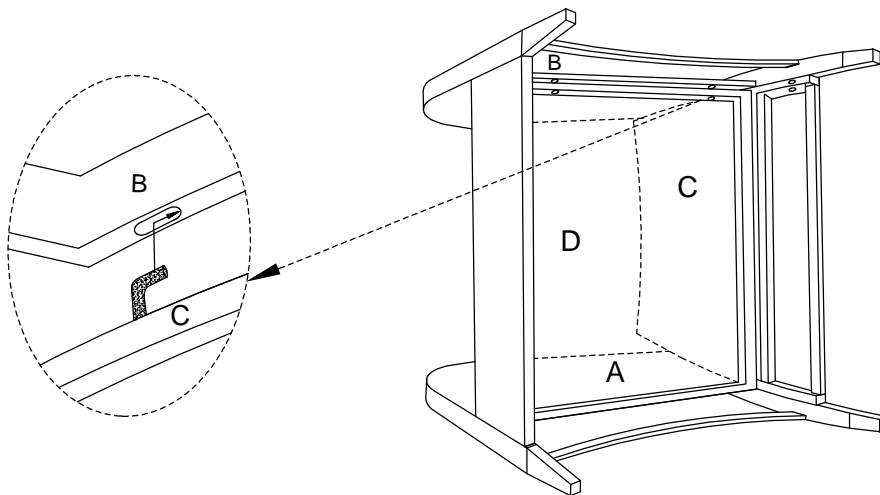
Step 2. Attach Back Panel (C) to Left Arm Panel (A) by inserting hook into the hole on Left Arm Panel (A).



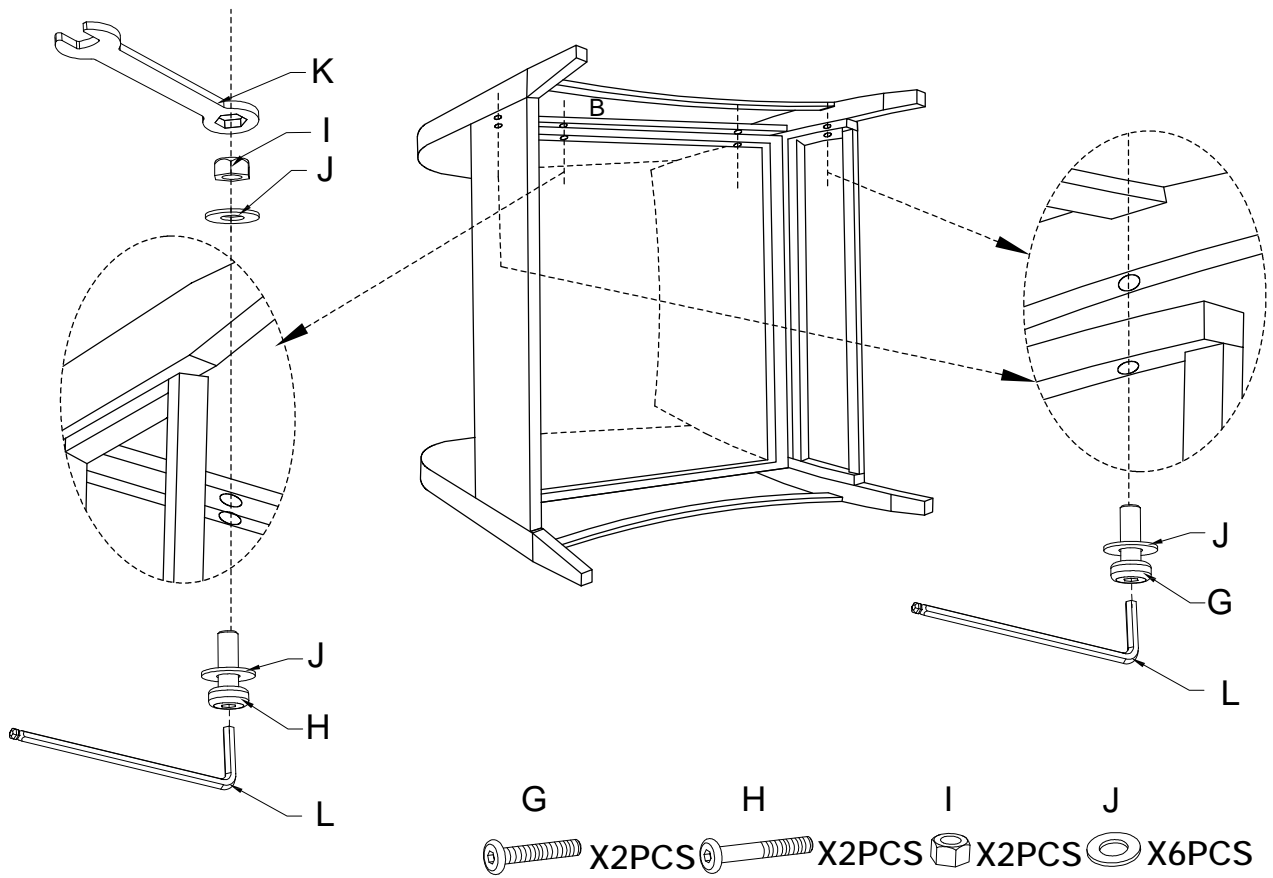
Step 3. Attach Back Panel(C) to Left Arm Panel(A) and Seat Panel (D) using the Short Bolts(G) Washers(J) & Allen Key (L).



Step 4. Attach Right Arm Panel (B) to Back Panel (C) by inserting hook into the hole on Right Arm Panel (B).



Step 5. Attach Right Arm Panel (B) to assembled parts(A,C&D) using the Short Bolts (G),Long Bolts (H),Washers (J),Nuts (I), Wrench (K), and Allen Key (L).



Step 6. Place Seat Cushion and Back Cushion on the chair.

