

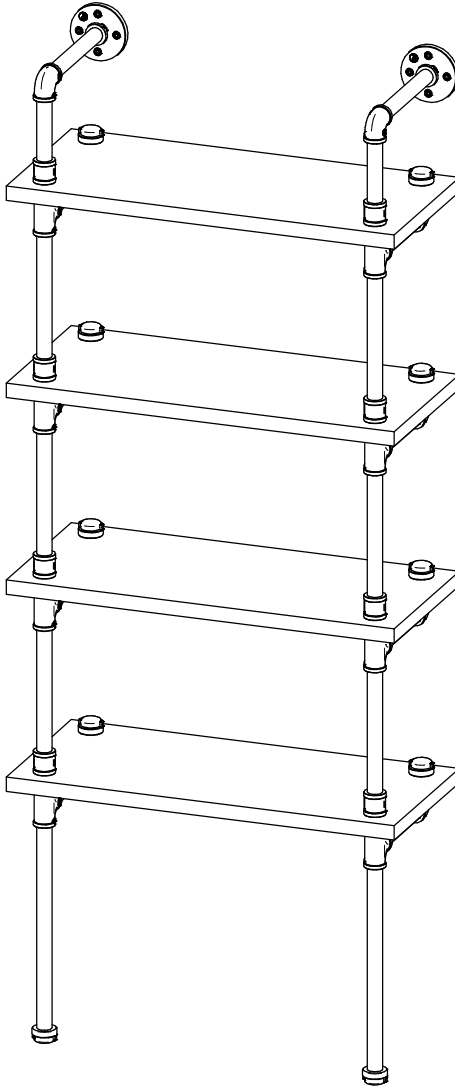


FURNITURE PIPELINE

ESTD - 2016



THESE INSTRUCTIONS WERE PRINTED ON
100% RECYCLED PAPER!!!



TWBS1-WIS

UNIT WEIGHT: 28 LB

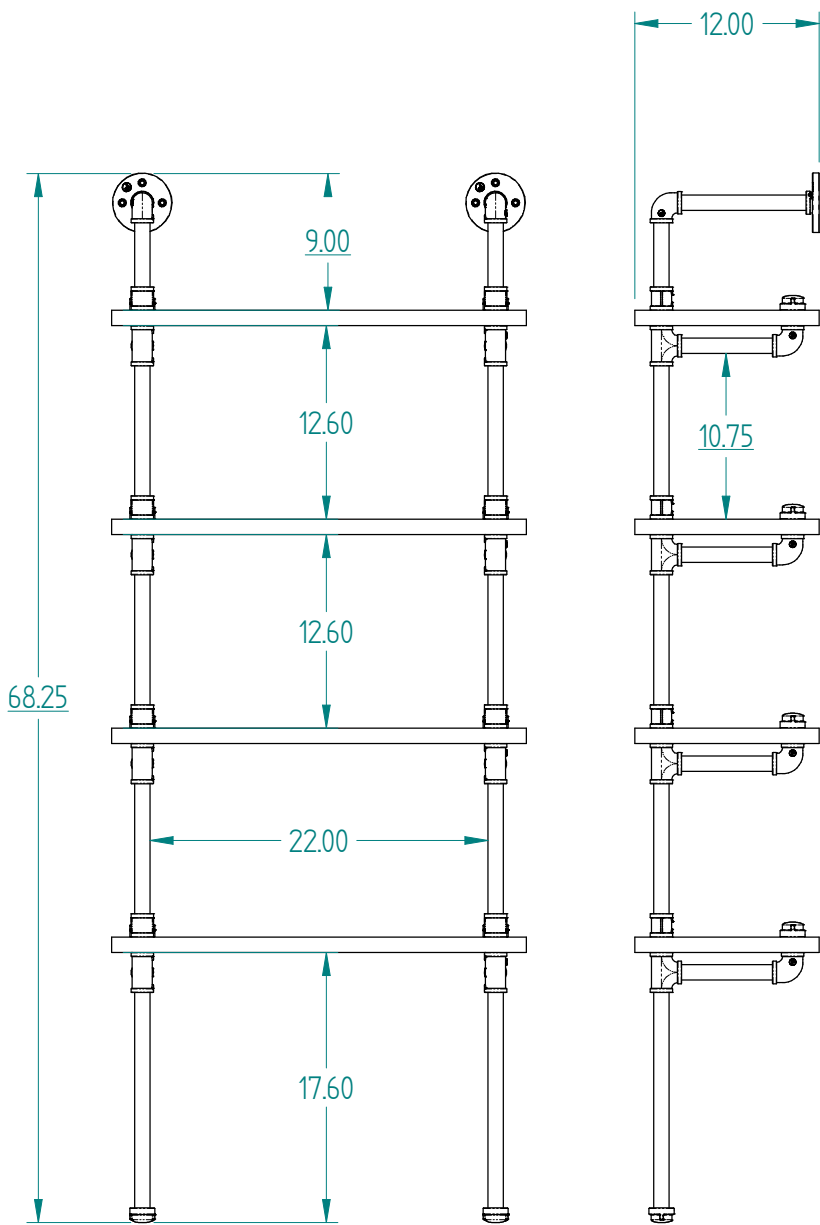
WEIGHT CAPACITY PER SHELF/TIER: 15 LB

Sacramento Bookcase



FURNITURE PIPELINE

ESTD - 2016





FURNITURE PIPELINE

ESTD - 2016

DISCLAIMER:

Furniture Pipeline LLC intends to make this instruction manual accurate and complete. However, Furniture Pipeline LLC makes no claim that the information contained herein covers all details, conditions or variations, nor does it provide for every possible contingency in connection with the installation or use of this product. The information contained in this document is subject to change without notice or obligation of any kind. Furniture Pipeline LLC assumes no responsibility for accuracy, completeness or sufficiency of the information contained in this document.

IMPORTANT WARNINGS AND CAUTIONS!

WARNING: A WARNING alerts you to the possibility of serious injury or death if you do not follow the instructions.

CAUTION: A CAUTION alerts you to the possibility of damage or destruction of equipment if you do not follow the corresponding instructions.

WARNING: Failure to read, thoroughly understand, and follow all instructions can result in serious personal injury, damage to equipment, or voiding of factory warranty! It is the installer's responsibility to make sure all components are properly assembled and installed using the instructions provided.

WARNING: Failure to provide adequate structural strength for this component can result in serious personal injury or damage to equipment! It is the installer's responsibility to make sure the structure to which this component is attached can support five times the combined weight of all equipment. Reinforce the structure as required before installing the component.

WARNING: Exceeding the recommended weight capacity can result in serious personal injury or damage to equipment! It is the installer's responsibility to make sure that the combined weight of all components attached to the supporting structure including all items on display does not exceed the recommended weight!

WARNING: FURNITURE MAY WEIGH IN EXCESS OF 40 LBS! Always use two people and proper lifting techniques when installing or positioning furniture.

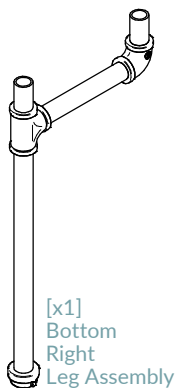
Wood Disclaimer: Furniture Pipeline LLC uses natural solid wood products to create quality furniture. However, wood grain is a product of nature, no two grain patterns are ever exactly alike. This individualism is one of the most appealing factors of solid wood products. Soil and climate affect the growth characteristics of wood. The finest woods have certain natural characteristics that cannot be hidden with a finishing process.

These characteristics occur due to the fact that wood is a natural product and is affected by weather, climate, insects, birds, soil makeup, and natural growth patterns. These characteristics are apparent and are not to be misinterpreted as defects. Wood is a product of nature- and as such will display natural characteristics and variances that are unique to each and every cut. These characteristics are an integral part of the charm and beauty of real solid wood - no two pieces are alike!



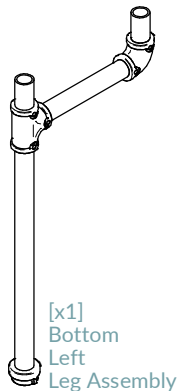
FURNITURE PIPELINE

ESTD - 2016



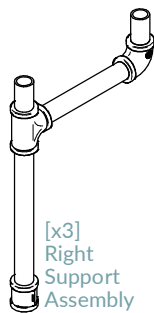
[x1]
Bottom
Right
Leg Assembly

1



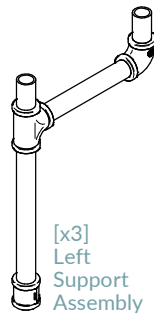
[x1]
Bottom
Left
Leg Assembly

2



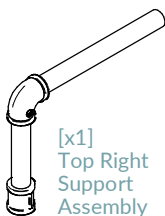
[x3]
Right
Support
Assembly

3



[x3]
Left
Support
Assembly

4



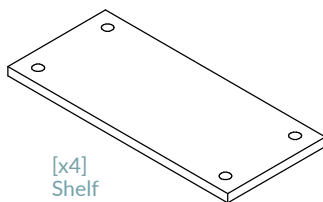
[x1]
Top Right
Support
Assembly

5



[x1]
Top Left
Support
Assembly

6



[x4]
Shelf

7

NOTE: SMALL ADJUSTMENTS MAY BE NEEDED ON SUBASSEMBLIES DUE TO SHIPPING MOVEMENT



FURNITURE PIPELINE

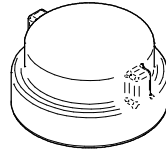
ESTD - 2016

[x8]
Ø8mm X
40mm lg.
Screws



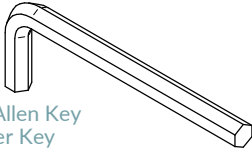
8

[x8]
Cap



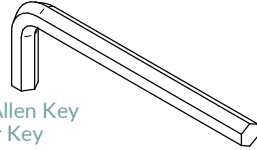
9

[x1]
1/8" Allen Key
Smaller Key



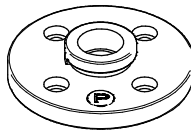
10

[x1]
1/4" Allen Key
Larger Key



11

[x2]
Flange



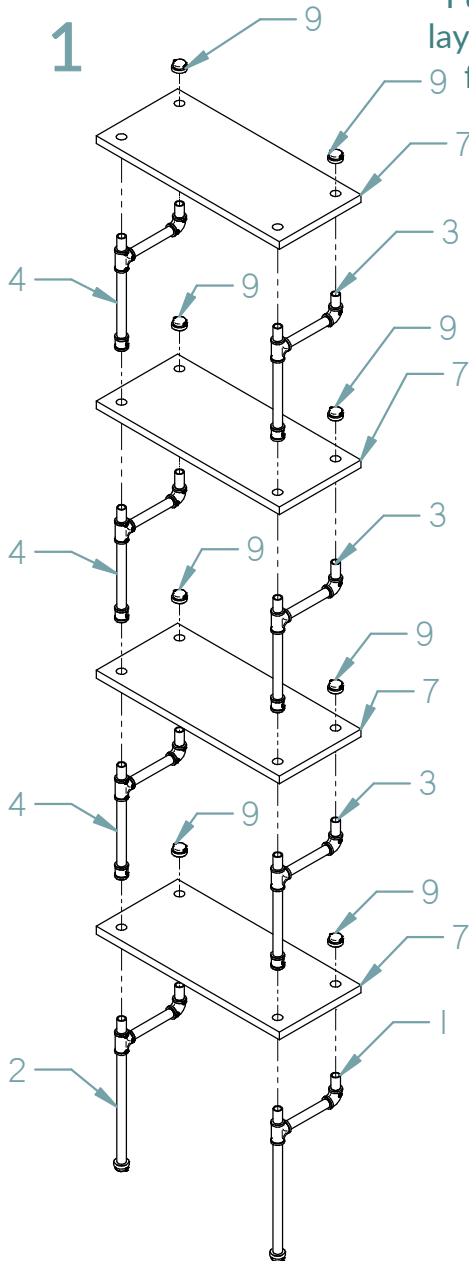
12



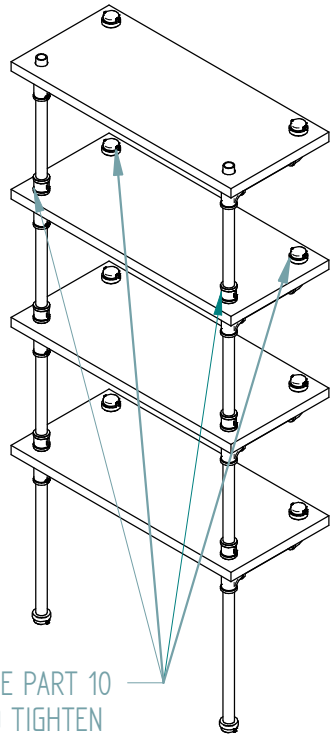
FURNITURE PIPELINE

ESTD - 2016

1



Furniture Pipeline recommends laying furniture down on the floor for a safer assembly process. Pictures are for reference purposes only!



USE PART 10 TO TIGHTEN ALL NEW CONNECTIONS

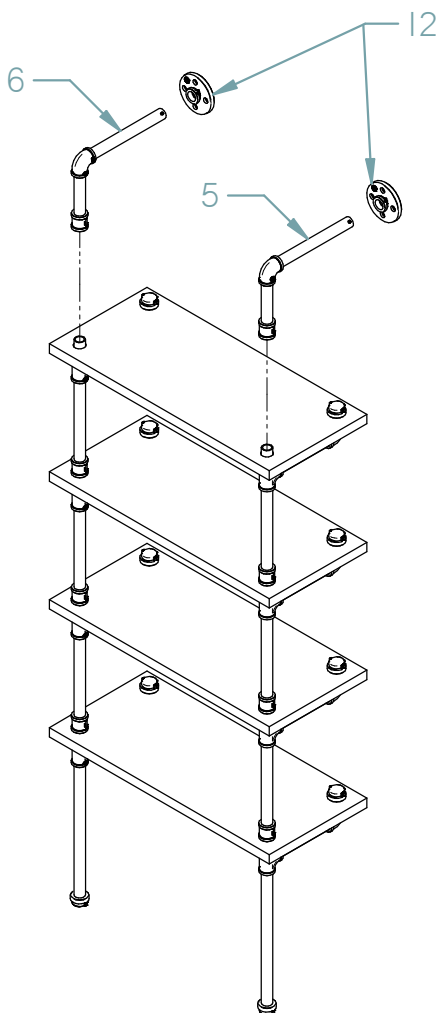
MAKE SURE TO TIGHTEN ALL AREAS!



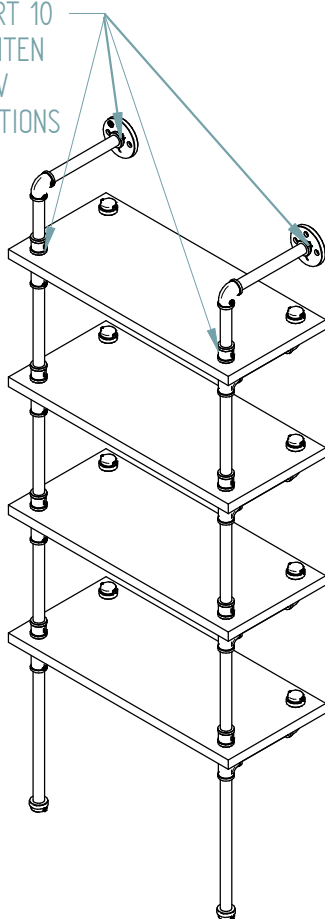
FURNITURE PIPELINE

ESTD - 2016

2



USE PART 10
TO TIGHTEN
ALL NEW
CONNECTIONS



MAKE SURE TO TIGHTEN ALL AREAS!

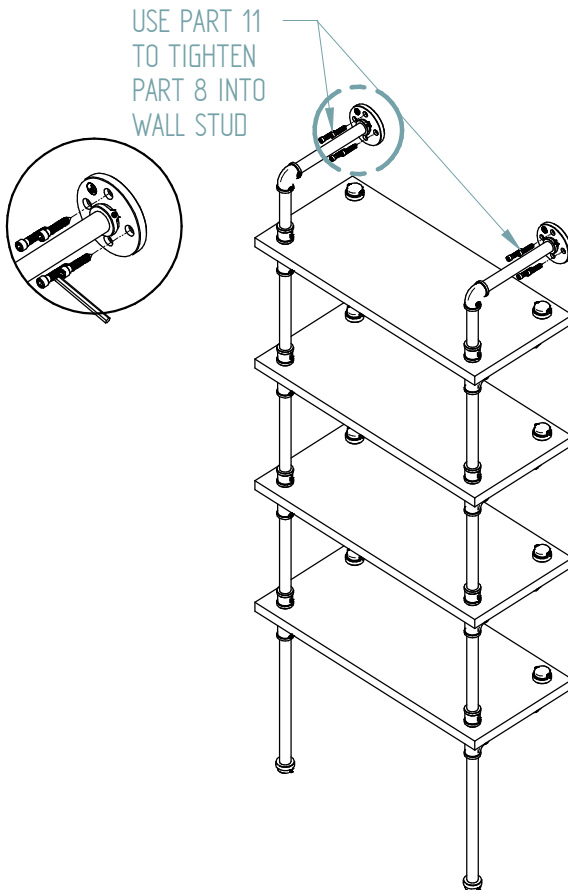
FURNITURE PIPELINE

ESTD - 2016

3

IMPORTANT: TO INSURE PROPER AND SAFE INSTALLATION OF YOUR SHELF; YOU MUST:

1. PLACE THE UNIT IN DESIRED LOCATION AGAINST WALL WHILE LINING EITHER THE RIGHT OR LEFT FLANGE WITH A WALL STUD.
2. LIGHTLY MARK YOUR WALL USING A PENCIL THROUGH THE FLANGE SCREW HOLES (4 MARKS NEEDED TOTAL).
3. REMOVE UNIT FROM WALL AND PREDRILL YOUR 4 MARKED SPOTS USING A 3/16" DRILL BIT.
4. REPLACE YOUR UNIT TO IT'S ORIGINAL DESIRED LOCATION AND SCREW IN PLACE USING THE ALLEN WRENCH (PART 11) AND THE SCREWS (PART 8) PROVIDED. DO NOT OVER TORQUE!



WARNING!

FAILURE TO PROPERLY SECURE UNIT INTO WALL STUD AS INSTRUCTED
MAY RESULT IN SERIOUS INJURY!



FURNITURE PIPELINE

ESTD - 2016

WARRANTY

Finishes of Pipes and Fittings, and all Other Parts and Components, Excluding Wood

-1 Year Limited Warranty-

All metal finishes and other parts and components, **excluding wood**, are warranted by Furniture Pipeline LLC to you, the original retail purchaser, for a one-year period starting from the date of purchase, to be free from material manufacturing defects. Furniture Pipeline LLC will pay, within one-year from the date of purchase, reasonable and standard labor rates to repair or replace the defective parts including the shipping costs from the retailer to and from Furniture Pipeline LLC or a repair center designated by Furniture Pipeline LLC at no charge to the original retail purchaser.

LIMITATIONS AND EXCEPTIONS

Under this Limited Warranty, the sole liability of Furniture Pipeline LLC is limited to repair, or at Furniture Pipeline LLC's option, replacement of any manufacture defected items or parts, **excluding wood**. Furniture Pipeline LLC will pay, within one year from the date of purchase reasonable and standard labor rates to repair or replace the defective parts and shipping costs from the retailer to and from Furniture Pipeline LLC, at no charge to the original retail purchaser. After one year from the date of purchase, the original retail purchaser will be responsible for labor, packing, and all shipping and transportation costs.

The Limited Warranty provides coverage to the original retail purchaser and does not apply to rented, business, commercial, institutional, or other non-residential uses. The Limited Warranty does not apply to (1) merchandise that was, at any time, used as a floor sample or display model, (2) any merchandise purchased "as is" or second-hand, (3) any merchandise purchased at a distress sale or a going out of business sale, or (4) any merchandise purchased from a liquidator. This warranty, whether express or implied, covers only normal household usage. No warranty, express or implied, applies to any condition resulting from misuse, abuse, delivery or transportation damage, nor any condition resulting from incorrect or inadequate maintenance, cleaning or care. The warranty is null and void if the furniture has been moved from original point of delivery to the consumer.

Finishes of Metal and Metal Components

*The Limited Warranty, of "Finishes of Pipes and Fittings, and all Other Parts and Components, Excluding Wood", does not cover (1) damages resulting from excessive soiling, improper or unapproved cleaning methods, (2) fading or other damages resulting from exposure to sunlight, (3) damages resulting from household humidity, or (4) damages resulting from any liquid, including but not limited to alcohol and water based cleaning products. Any use of **improper or unapproved cleaning methods voids all warranties of Furniture Pipeline LLC.***

Modifications to Products

The Limited Warranty does not apply to any product that has been altered by any person, dealer, or company without the express written authorization of Furniture Pipeline LLC.

Implied Warranty

IMPLIED WARRANTY, INCLUDING ANY OF MERCHANTABILITY AND FITNESS FOR A PARTICULAR PURPOSE IMPOSED ON THE SALE OF THIS FURNITURE AND ITS PARTS UNDER STATE LAW, ARE LIMITED TO THE FOLLOWING DURATIONS:



FURNITURE PIPELINE

ESTD - 2016

WARRANTY CONT...

FINISHES AND ALL OTHER PARTS AND COMPONENTS

EXCLUDING WOOD – 1 YEAR

SOME STATES DO NOT ALLOW LIMITATIONS ON HOW LONG AN IMPLIED WARRANTY LASTS, THEREFORE, THE ABOVE LIMITATIONS MAY NOT APPLY TO YOU.

DISCLAIMER

NO OTHER EXPRESS WARRANTY HAS BEEN MADE OR WILL BE MADE ON BEHALF FURNITURE PIPELINE LLC, WITH RESPECT TO THE FURNITURE AND ITS PARTS, OR THE OPERATION, REPAIR, OR REPLACEMENT OF THE FURNITURE AND ITS PARTS. FURTHERMORE, NO REPRESENTATIVE ON THE BEHALF OF FURNITURE PIPELINE LLC OR ITS DISTRIBUTORS OR RETAILERS IS AUTHORIZED TO MAKE ANY CHANGES OR MODIFICATIONS TO THESE LIMITED WARRANTIES.

SOME RETAILERS MAY OFFER EXTENDED OR ADDITIONAL WARRANTIES, INCLUDING BUT NOT LIMITED TO EXTENDED OR ADDITIONAL FINISH WARRANTIES, EITHER FROM THE RETAILER OR THROUGH A THIRD-PARTY. FURNITURE PIPELINE LLC SHALL NOT BE LIABLE UNDER ANY EXTENDED OR ADDITIONAL WARRANTIES OFFERED BY ANY RETAILER OR THROUGH A THIRD-PARTY.

IN NO EVENT SHALL FURNITURE PIPELINE LLC BE RESPONSIBLE FOR CONSEQUENTIAL OR INCIDENTAL DAMAGES, SUCH AS LOSS OF USE, INCONVENIENCE, LOSS OR DAMAGE TO PERSONAL PROPERTY, WHETHER INDIRECT OR DIRECT, AND WHETHER ARISING IN CONTRACT OR TORT. IN NO EVENT SHALL FURNITURE PIPELINE LLC'S RESPONSIBILITY EXCEEDS THE PURCHASE PRICE OF THE PRODUCT OR ITS REPLACEMENT.

SOME STATES DO NOT ALLOW THE EXCLUSION OR LIMITATION OF INCIDENTAL OR CONSEQUENTIAL DAMAGES, SO THE ABOVE LIMITATION OR EXCLUSION MAY NOT APPLY TO YOU.

This warranty gives you specific legal rights, and you may also have other rights that vary from state to state.

REMEDY AND CLAIMS

Under this Limited Warranty, Furniture Pipeline LLC's exclusive obligation during the applicable warranty period is to repair or replace, at its option, any part or parts found, upon examination by an authorized manufacturer's representative of Furniture Pipeline LLC, to contain a material manufacturing defect. For all of its products, other than Wood (as stated in the heading "**Finishes of Pipes and Fittings, and all Other Parts and Components, Excluding Wood**"), Furniture Pipeline LLC will pay, within one year from the date of purchase by the original retail purchaser, reasonable and standard labor rates to repair or replace the defective parts and shipping costs from the retailer to and from Furniture Pipeline LLC, or a repair center designated by the Customer Service Department of Furniture Pipeline LLC, at no charge to the original retail purchaser. After one year from the date of purchase, the original retail purchaser will be responsible for labor, packing, and all shipping and transportation costs.

If within the warranty period, identical materials are unavailable at the time of repair or replacement, Furniture Pipeline LLC reserves the right to substitute materials of equal or better quality. Replacement parts may vary in color from the original due to aging, ware, and the natural anodizing and flash plating process.

Any item repaired or replaced under this Limited Warranty will be covered by the Limited Warranty for the remainder of the original warranty period only.



FURNITURE PIPELINE

ESTD - 2016

WARRANTY CONT...

Claims

If a problem should arise which you feel is covered by our Limited Warranty, contact the Furniture Pipeline LLC authorized retailer from whom you purchased your furniture. The original bill of sale and the product serial number are necessary for the fulfillment of the warranty. Please make sure any claim for warranty service is accompanied by the necessary information to satisfy the warranty requirements. If necessary, the retailer will contact Furniture Pipeline LLC to establish service. If the problem can be easily corrected, Furniture Pipeline LLC will authorize the retailer to make those repairs. Furniture Pipeline LLC reserves the right to require defective parts be returned to Furniture Pipeline LLC upon request.

Furniture Pipeline LLC is not responsible for scheduling or the cost of transporting your furniture from your home to the retailer or from the retailer to your home. You must make those arrangements with the retailer. If you or the retailer have moved and you need service, contact Furniture Pipeline LLC in writing or call our Customer Service number.

Furniture Pipeline LLC Warranty and Customer Service Information

Furniture Pipeline LLC
238 Lindbergh Pl.
Paterson, NJ 07503

Customer Service Phone: 973-881-1180

Email: Sales@FurniturePipeline.com

Mon-Fri – 10AM/4PM

www.FurniturePipeline.com

©Dec 2016, Furniture Pipeline LLC, Paterson, New Jersey. All Rights Reserved.



FURNITURE PIPELINE

ESTD · 2016

WWW.FURNITUREPIPELINE.COM