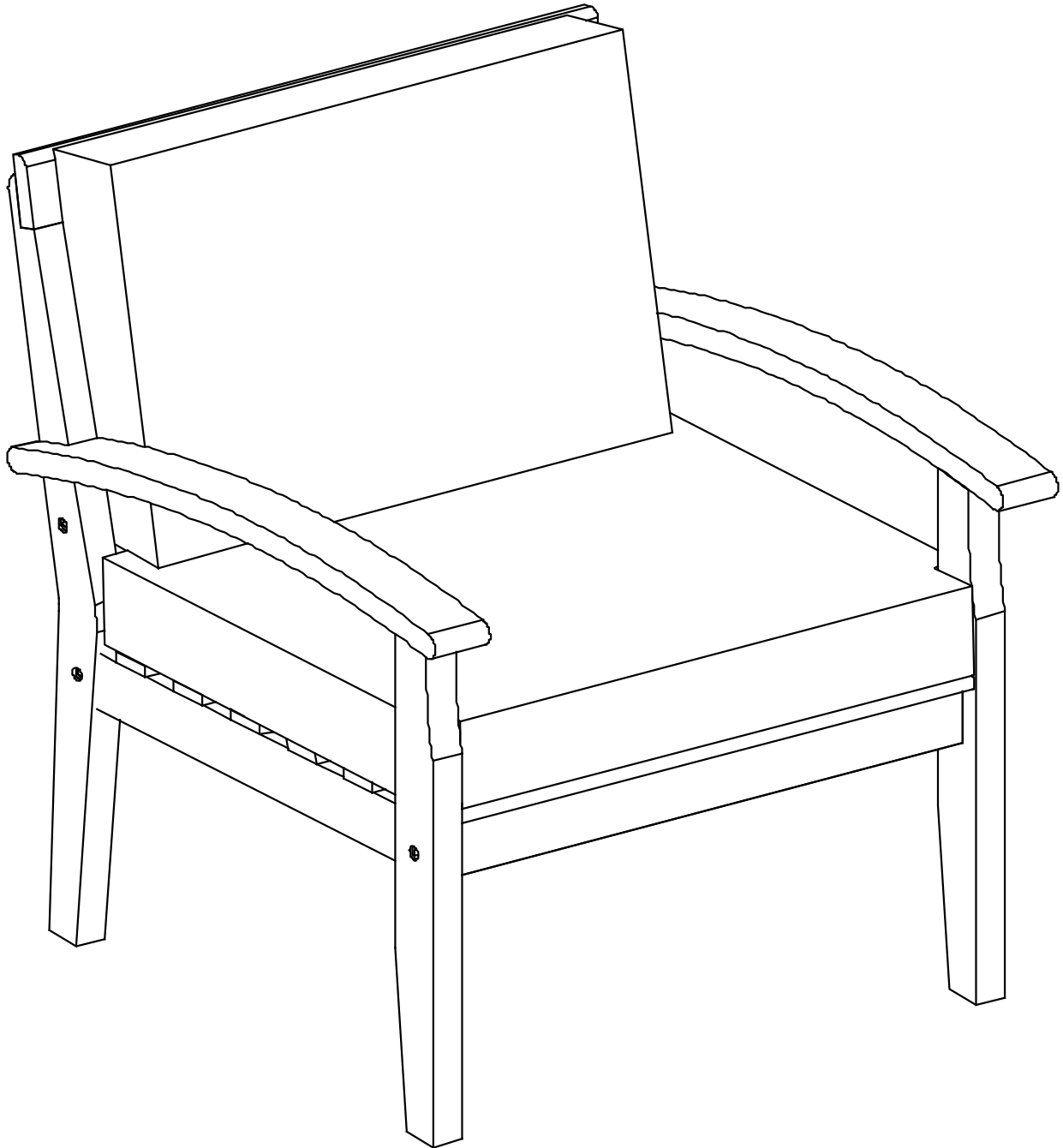


Assembly Instructions

ARMCHAIR

CAUTION: You must read this before you proceed.

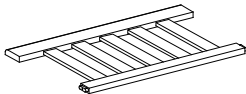
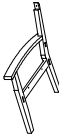
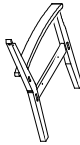
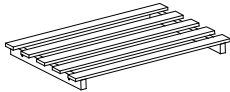
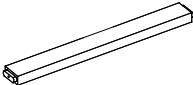
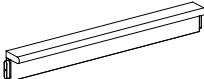
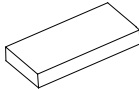
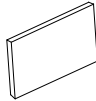


CAUTION : This Armchair is NOT a TOY.





Keep your child / children at bay in the process of assembly.

For turning the Armchair and to prevent damage to the Armchair, 02 persons may be needed to execute this action.

Parts List

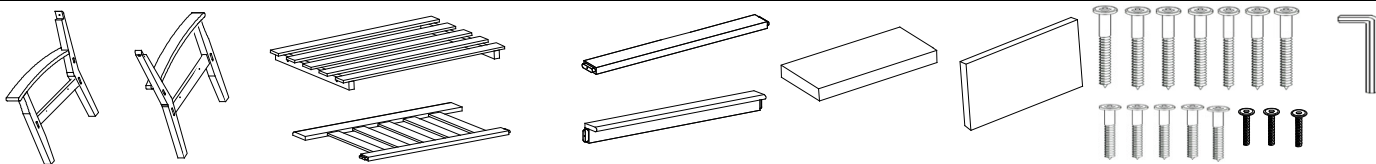
No.	Picture	Description	Qty
A		Backrest Panel	1
B		Left Arm Panel With Pre-installed Levellers	1
C		Right Arm Panel With Pre-installed Levellers	1
D		Seat Panel	1
E		Back Support Bar	1
F		Front Support Bar	1
G		Seat Cushion	1
H		Back Cushion	1






Hardware

No.	Picture	Description	Qty
①		Long Screws (M7x70mm)	7
②		Short Screws (M6x35mm)	5
③		Bolts (M6x30mm)	3
④		Allen Key	1

Assembly Preparation

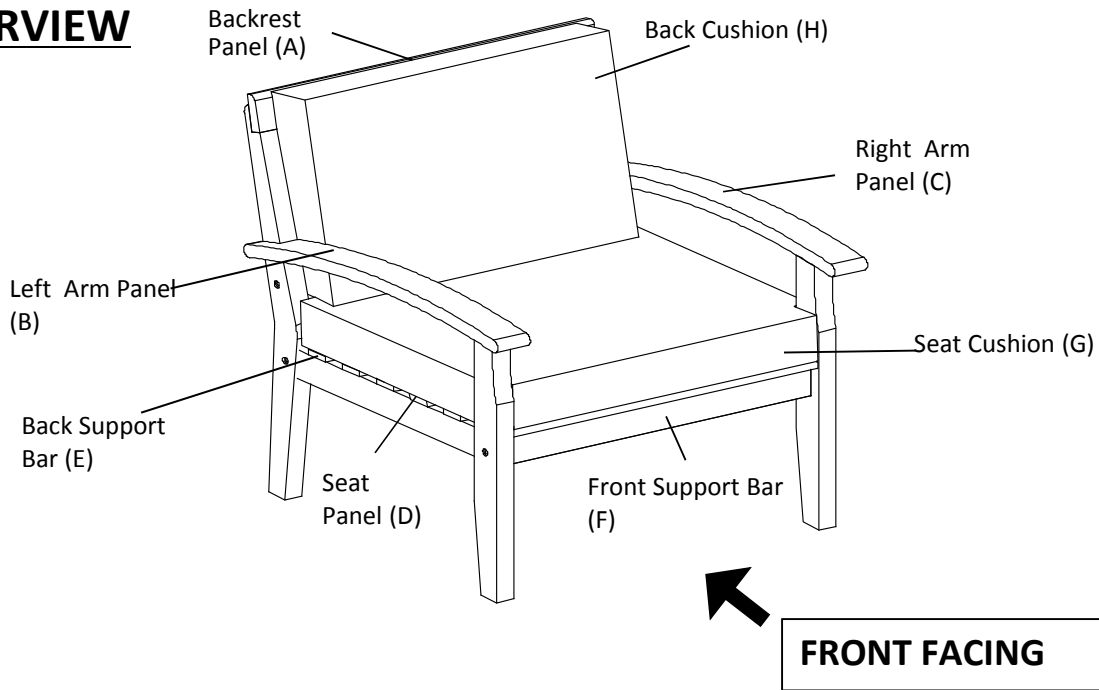
Before Beginning Assembly:



-  Read instructions, cover to cover.
-  Have 2 adults on hand for assembly.
-  Do not assemble on flooring or carpet.
-  Assemble on a clean non-marring surface (packing foam).
-  Save all packaging until finished.

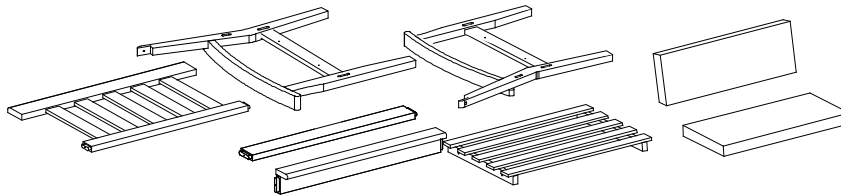
Assembly Steps

OVERVIEW



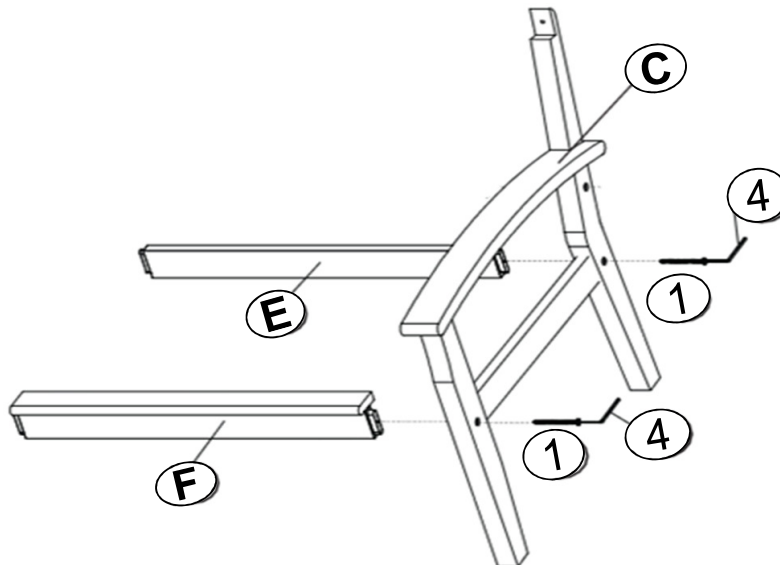
This Armchair has multiple parts and may require up to 30 minutes to assemble. To give you an overview of the Armchair parts, the above picture is to help you put the various parts into perspective. Please read through the instructions herebelow to familiarise the parts and steps before assembly.

Step 1



Unpack and place all parts on a clean, non-marring surface.

Step 2



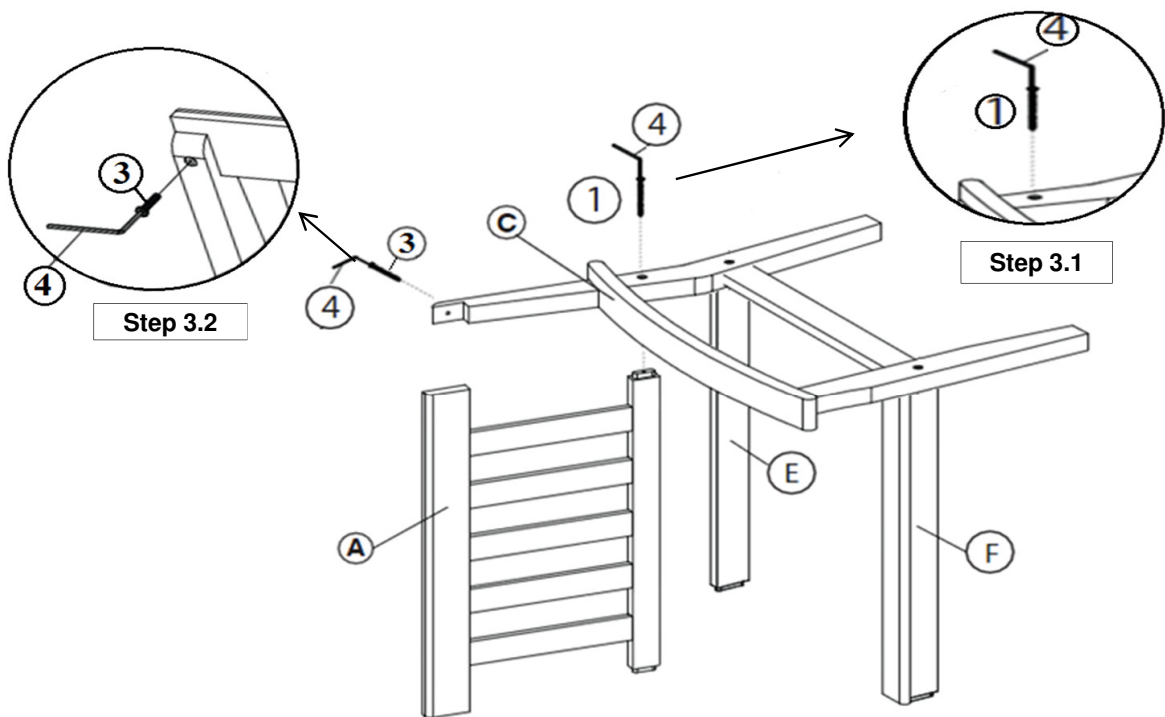
Place Right Arm Panel (C) stand up as shown in picture onto a clean, soft surface to avoid any scratches or damages to the product.

Align the tenon of Back Support Bar (E) and Front Support Bar (F) into the Mortise of the Right Arm Panel (C).

Then, affix Back Support Bar (E) and Front Support Bar (F) with Right Arm Panel (C) by using Long Screws (①) and Allen Key (④).

DO NOT FULLY TIGHTEN SCREWS.

Step 3



Then keep position Backrest Panel (A) as shown in picture above.

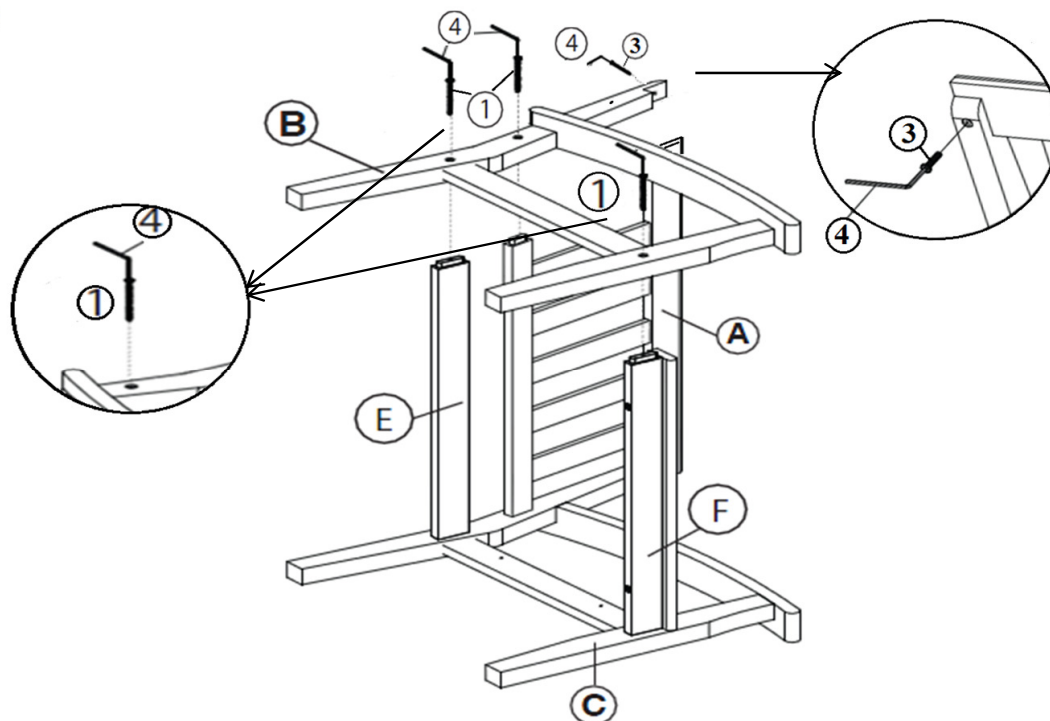
Align the tenon of Back Support Bar (E) and Front Support Bar (F) into the Mortise of the Right Arm Panel (C).

Step 3.1: Affix Right Arm Panel (C) with Backrest Panel (A) by using Long Screw (①) and Allen Key (④).

Step 3.2: Affix Right Arm Panel (C) with Backrest Panel (A) by using Bolt (③) and Allen Key (④).

DO NOT FULLY TIGHTEN SCREWS.

Step 4

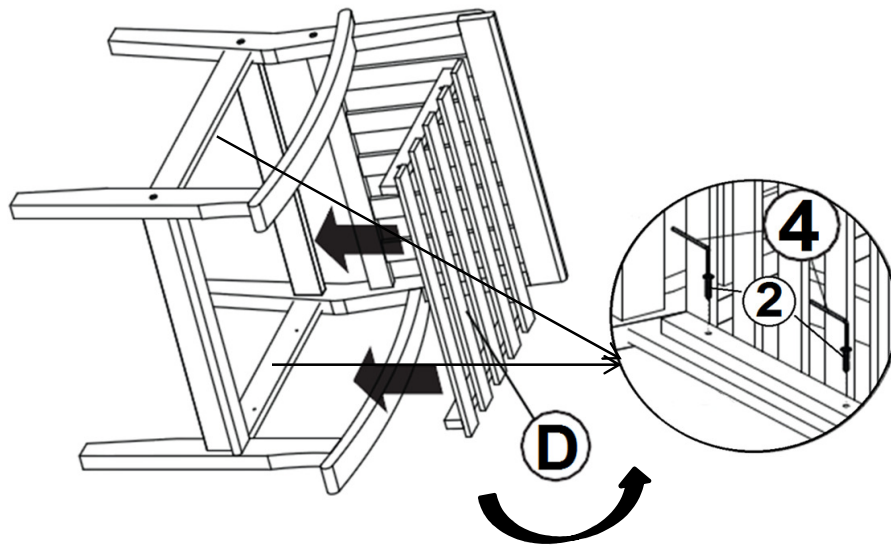


With the help from your partner, turn the Armchair to rest on Right Arm Panel (C) so that Left Arm Panel (B) is now facing skywards.

Repeat the same process at step 2, step 3 to affix the Left Arm Panel (B) with Long Screws (①), Bolt (③) to designated points.

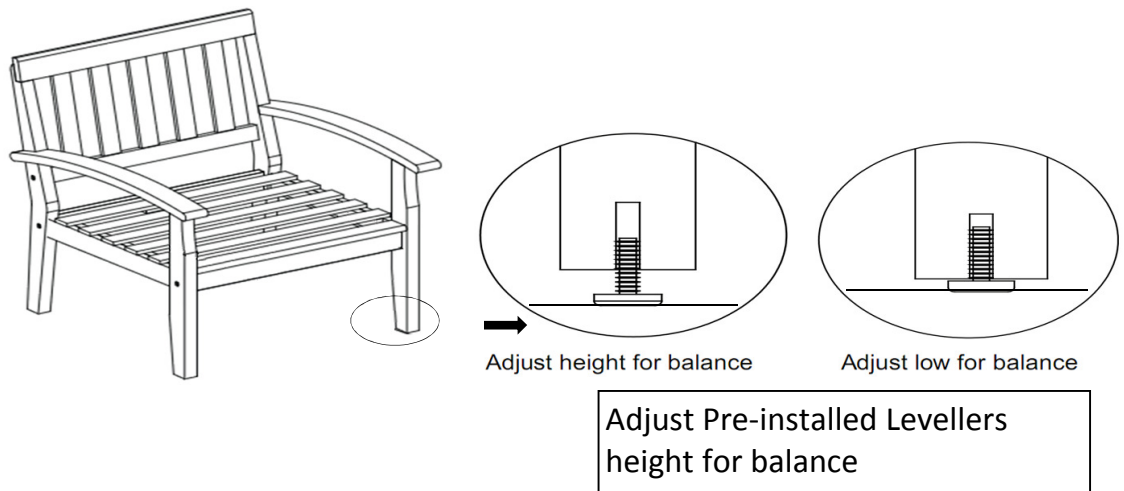
DO NOT FULLY TIGHTEN SCREWS, BOLT

Step 5



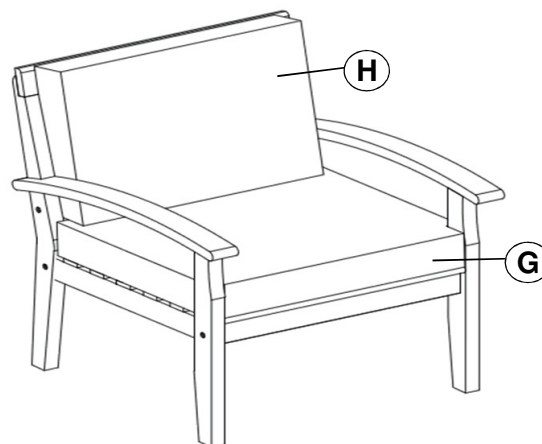
Attach the Seat Panel (D) onto the Armchair as shown in picture above.
Affix Seat Panel (D) with Armchair by using Short Screws (2) and Allen Key (4).
Note: Using Short Screws (2) from inside to outside of Seat Panel (D)
DO NOT FULLY TIGHTEN SCREWS.

Step 6












Inspect the Armchair and make sure all parts are adequately connected.
In a sequential manner, tighten all Screws at all joints.
With assistance from your adult partners, adjust the Levellers to desired height to avoid wobbles.

Step 7



Turn the chair right side up.
Place Seat Cushion (G), Back Cushion (H) to Seat Panel (D).
Inspect it and make sure all parts are adequately connected.
Ensure all screws, bolts are fully locked into position and secured.
The Armchair is ready to be used.
Caution: This Armchair can only be used on a flat, level surface.

Care & Maintenance

-  Do not put hot items directly on furniture surface
-  Do not clean furniture with harsh cleansers or polish.
-  To obtain the longest lifespan of your outdoor products, minimizing exposure to direct sunlight is recommended.
-  Children should not climb or jump on the furniture.
-  Do not write on furniture without a padded barrier to protect the surface.
-  To obtain the longest lifespan of your outdoor products, avoid extended and lengthy exposure to rain, snow, and direct sunshine. Whenever possible cover the product and /or place under patio or awnings.
-  Not for commercial use. For residential use only .
-  Stains may be removed with mild soap solution and damp cloth.
-  Dust and pick-up spills using a clean, non-colored, lint-free cloth.

Questions & Answers about Proposition 65

- What is Proposition 65?

Proposition 65 requires businesses to provide warnings to Californians about significant exposures to chemicals that cause cancer, birth defects or other reproductive harm. These chemicals can be in the products that Californians purchase, in their homes or workplaces, or that are released into the environment. By requiring that this information be provided, Proposition 65 enables Californians to make informed decisions about their exposures to these chemicals.

Proposition 65 also prohibits California businesses from knowingly discharging significant amounts of listed chemicals into sources of drinking water.

Proposition 65 requires California to publish a list of chemicals known to cause cancer, birth defects or other reproductive harm. This list, which must be updated at least once a year, has grown to include approximately 900 chemicals since it was first published in 1987.

- What types of chemicals are on the Proposition 65 list?

The list contains a wide range of naturally occurring and synthetic chemicals that include additives or ingredients in pesticides, common household products, food, drugs, dyes, or solvents. Listed chemicals may also be used in manufacturing and construction, or they may be byproducts of chemical processes, such as motor vehicle exhaust.

- What does a warning mean?

If a warning is placed on a product label or posted or distributed at a workplace, a business, or in rental housing, the business issuing the warning is aware or believes that it is exposing individuals to one or more listed chemicals.

By law, a warning must be given for listed chemicals unless the exposure is low enough to pose no significant risk of cancer or is significantly below levels observed to cause birth defects or other reproductive harm.

- Where can I get more information on Proposition 65?

If you have specific questions on the administration or implementation of Proposition 65, you can contact OEHHA's Proposition 65 program at P65.Questions@oehha.ca.gov, or by phone at (916) 445-6900.]