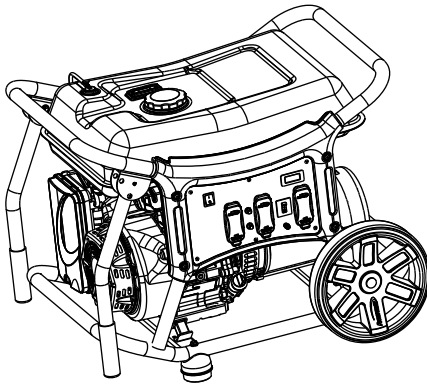




*CX1400/3500/5500 Portable  
Generator  
Owner's Manual*



**MODEL:** \_\_\_\_\_

**SERIAL:** \_\_\_\_\_

**DATE PURCHASED:** \_\_\_\_\_



**WARNING**

This product is not intended to be used in a critical life support application. Failure to adhere to this warning could result in death or serious injury.

(000209a)

Register your Powermate product at:

[www.powermate.com](http://www.powermate.com)

1-800-445-1805

**SAVE THIS MANUAL FOR FUTURE REFERENCE**

# Table of Contents

---

## Section 1 Introduction and Safety 1

Introduction .....	1
Safety Rules .....	1
Safety Symbols and Meanings .....	1
Exhaust and Location Hazards .....	2
Electrical Hazards .....	3
Fire Hazards .....	3
Standards Index .....	3

## Section 2 General Information and Setup 4

Know Your Generator .....	5
Emissions .....	5
Connection Plugs .....	6
Remove Contents from Carton .....	7
Assembly .....	7
Add Engine Oil .....	9
Fuel .....	10

## Section 3 Operation 11

Operation and Use Questions .....	11
Before Starting Engine .....	11
Prepare Generator for Use .....	11
Grounding the Generator When In Use	11
Know Generator Limits .....	12
Transporting/Tipping of the Unit ....	12
Starting Pull Start Engines .....	13
Generator Shut Down .....	13
Low Oil Level Shutdown System ...	13

## Section 4 Maintenance and

<b>Troubleshooting .....</b>	<b>14</b>
Maintenance .....	14
Maintenance Schedule .....	14
Preventive Maintenance .....	14
Engine Maintenance .....	14
Inspect Muffler and Spark Arrestor	16
Valve Clearance .....	16
Storage .....	16
Troubleshooting .....	18
Notes .....	19

---

**WARNING**

California Proposition 65. Engine exhaust and some of its constituents are known to the state of California to cause cancer, birth defects, and other reproductive harm. (000004)

---

**WARNING**

California Proposition 65. This product contains or emits chemicals known to the state of California to cause cancer, birth defects, and other reproductive harm. (000005)

---

# Section 1 Introduction and Safety

## Introduction

Thank you for purchasing a Powermate product. This unit has been designed to provide high-performance, efficient operation, and years of use when maintained properly.



### **WARNING**

Consult Manual. Read and understand manual completely before using product. Failure to completely understand manual and product could result in death or serious injury.

(000100a)

If any section of the manual is not understood, contact your nearest Independent Authorized Service Dealer (IASD), or contact Powermate Customer Service at 1-800-445-1805, or [www.powermate.com](http://www.powermate.com) with any questions or concerns.

The owner is responsible for proper maintenance and safe use of the equipment. Before operating, servicing or storing this generator:

- Study all warnings in this manual and on the product carefully.
- Become familiar with this manual and the unit before use.
- Refer to the Assembly section of the manual for instructions on final assembly procedures. Follow the instructions completely.

Save these instructions for future reference. ALWAYS supply this manual to any individual that will use this machine.

THE INFORMATION CONTAINED HEREIN WAS BASED ON MACHINES IN PRODUCTION AT THE TIME OF PUBLICATION. POWERMATE RESERVES THE RIGHT TO MODIFY THIS MANUAL AT ANY TIME.

## Safety Rules

The manufacturer cannot anticipate every possible circumstance that might involve a hazard. The warnings in this manual, and on tags and decals affixed to the unit are, therefore, not all inclusive. If using a procedure, work method or operating technique that the manufacturer does not specifically recommend, verify that it is safe for others. Also make sure the procedure, work method or operating technique utilized does not render the equipment unsafe.

Throughout this publication, and on tags and decals affixed to the generator, DANGER, WARNING, CAUTION and NOTE blocks are used to alert personnel to special instructions about a particular operation that may be hazardous if performed incorrectly or carelessly. Observe them carefully. Their definitions are as follows:

### **DANGER**

Indicates a hazardous situation which, if not avoided, will result in death or serious injury.

(000001)

### **WARNING**

Indicates a hazardous situation which, if not avoided, could result in death or serious injury.

(000002)

### **CAUTION**

Indicates a hazardous situation which, if not avoided, could result in minor or moderate injury.

(000003)

**NOTE:** Notes contain additional information important to a procedure and will be found within the regular text of this manual.

These safety warnings cannot eliminate the hazards that they indicate. Common sense and strict compliance with the special instructions while performing the action or service are essential to preventing accidents.

## Safety Symbols and Meanings

<b>DANGER</b>	
Using a generator indoors <b>CAN KILL YOU IN MINUTES.</b> Generator exhaust contains carbon monoxide. This is a poison you cannot see or smell.	
 NEVER use inside a home or garage, EVEN IF doors and windows are open.	 Only use OUTSIDE and far away from windows, doors, and vents.

000657



### **DANGER**

Asphyxiation. Running engines produce carbon monoxide, a colorless, odorless, poisonous gas. Carbon monoxide, if not avoided, will result in death or serious injury.

(000103)

- If you start to feel sick, dizzy, or weak after the generator has been running, move to fresh air IMMEDIATELY. See a doctor, as you could have carbon monoxide poisoning.



**⚠ DANGER**

The exhaust system must be properly maintained. Do not alter or modify the exhaust system as to render it unsafe or make it noncompliant with local codes and/or standards. Failure to do so will result in death or serious injury. (000179a)



**⚠ DANGER**

Electrocution. Water contact with a power source, if not avoided, will result in death or serious injury. (000104)



**⚠ DANGER**

Electrocution. Turn utility and emergency power supplies to OFF before connecting power source and load lines. Failure to do so will result in death or serious injury. (000116)

**⚠ WARNING**

Equipment and property damage. Do not alter construction of, installation, or block ventilation for generator. Failure to do so could result in unsafe operation or damage to the generator. (000146)



**⚠ WARNING**

Asphyxiation. Always use a battery operated carbon monoxide alarm indoors and installed according to the manufacturer's instructions. Failure to do so could result in death or serious injury. (000178a)

**⚠ WARNING**

Equipment and property damage. Do not operate unit on uneven surfaces, or areas of excessive moisture, dirt, dust or corrosive vapors. Doing so could result in death, serious injury, property and equipment damage. (000250)



**⚠ WARNING**

Moving Parts. Keep clothing, hair, and appendages away from moving parts. Failure to do so could result in death or serious injury. (000111)



**⚠ WARNING**

Hot Surfaces. When operating machine, do not touch hot surfaces. Keep machine away from combustibles during use. Hot surfaces could result in severe burns or fire. (000108)

**⚠ WARNING**

Do not insert any object through the air cooling slots. Generator can start at any time and could result in death, serious injury, and unit damage. (000142)

**⚠ WARNING**

Risk of injury. Do not operate or service this machine if not fully alert. Fatigue can impair the ability to service this equipment and could result in death or serious injury. (000215)

**⚠ WARNING**

Injury and equipment damage. Do not use generator as a step. Doing so could result in falling, damaged parts, unsafe equipment operation, and could result in death or serious injury. (000216)

**⚠ WARNING**

Equipment damage. Do not attempt to start or operate a unit in need of repair or scheduled maintenance. Doing so could result in serious injury, death, or equipment failure or damage. (000291)

	<b>⚠ CAUTION</b>
	Hearing protection recommended.
	<b>PRECAUCIÓN</b>
	Se recomienda protección auditiva.
	<b>MISE EN GARDE</b>
	Protection auditive recommandée.

000406

- For safety reasons, it is recommended that the maintenance of this equipment be performed by an IASD. Inspect the generator regularly, and contact the nearest IASD for parts needing repair or replacement.

## Exhaust and Location Hazards



**⚠ DANGER**

Asphyxiation. Running engines produce carbon monoxide, a colorless, odorless, poisonous gas. Carbon monoxide, if not avoided, will result in death or serious injury. (000103)



**⚠ DANGER**

The exhaust system must be properly maintained. Do not alter or modify the exhaust system as to render it unsafe or make it noncompliant with local codes and/or standards. Failure to do so will result in death or serious injury. (000179a)

**⚠ WARNING**

Equipment and property damage. Do not alter construction of, installation, or block ventilation for generator. Failure to do so could result in unsafe operation or damage to the generator. (000146)



**⚠ WARNING**

Asphyxiation. Always use a battery operated carbon monoxide alarm indoors and installed according to the manufacturer's instructions. Failure to do so could result in death or serious injury. (000178a)

- If you start to feel sick, dizzy, or weak after the generator has been running, move to fresh air IMMEDIATELY. See a doctor, as you could have carbon monoxide poisoning.



---

## Electrical Hazards

---



### **⚠ DANGER**

Electrocution. Contact with bare wires, terminals, and connections while generator is running will result in death or serious injury. (000144)

---



### **⚠ DANGER**

Electrocution. Water contact with a power source, if not avoided, will result in death or serious injury. (000104)

---



### **⚠ DANGER**

Electrocution. In the event of electrical accident, immediately shut power OFF. Use non-conductive implements to free victim from live conductor. Apply first aid and get medical help. Failure to do so will result in death or serious injury. (000145)

---

### **⚠ WARNING**

Accidental Start-up. Disconnect the negative battery cable, then the positive battery cable when working on unit. Failure to do so could result in death or serious injury. (000130)

---

- The National Electric Code (NEC) requires the frame and external electrically conductive parts of the generator be properly connected to an approved earth ground. Local electrical codes may also require proper grounding of the generator. Consult with a local electrician for grounding requirements in the area.
- Use a ground fault circuit interrupter in any damp or highly conductive area (such as metal decking or steel work).

## Fire Hazards

---



### **⚠ DANGER**

Explosion and Fire. Fuel and vapors are extremely flammable and explosive. Add fuel in a well ventilated area. Keep fire and spark away. Failure to do so will result in death or serious injury. (000105)

---



### **⚠ DANGER**

Do not overfill fuel tank. Fill to 1/2 in. of top of tank to allow for fuel expansion. Overfilling may cause fuel to spill onto engine causing fire or explosion, which will result in death or serious injury. (000166)

---

### **⚠ WARNING**

Do not insert any object through the air cooling slots. Generator can start at any time and could result in death, serious injury, and unit damage. (000142)

---



### **⚠ WARNING**

Fire risk. Fuel and vapors are extremely flammable. Do not operate indoors. Doing so could result in death, serious injury, or property or equipment damage. (000281)

---



### **⚠ WARNING**

Explosion and fire risk. Do not smoke near unit. Keep fire and spark away. Failure to do so could result in death, serious injury, or property or equipment damage. (000282)

---



### **⚠ WARNING**

Explosion and fire risk. Do not smoke while refueling unit. Failure to do so could result in death, serious injury, or property or equipment damage. (000284)

---

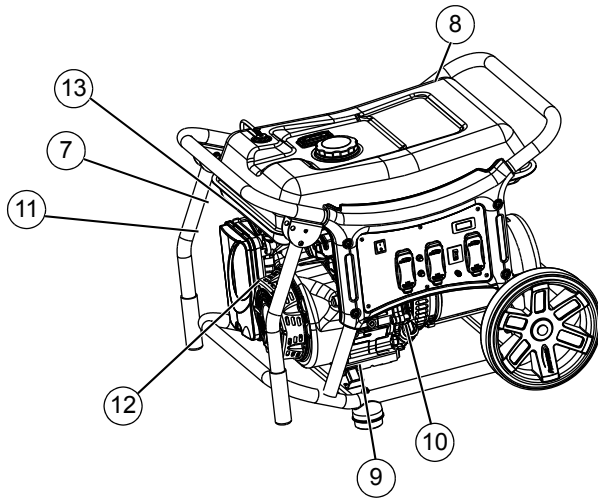
- Wipe up any fuel or oil spills immediately. Verify that no combustible materials are left on or near the generator. Keep the area surrounding the generator clean and free from debris and keep a clearance of five (5) feet on all sides to allow for proper ventilation of the generator.
- Do not operate the generator if connected electrical devices overheat, if electrical output is lost, if engine or generator sparks or if flames or smoke are observed while unit is running.
- Keep a fire extinguisher near the generator at all times.

## Standards Index

1. National Fire Protection Association (NFPA) 70: The NATIONAL ELECTRIC CODE (NEC) available from [www.nfpa.org](http://www.nfpa.org)
2. National Fire Protection Association (NFPA) 5000: BUILDING CONSTRUCTION AND SAFETY CODE available from [www.nfpa.org](http://www.nfpa.org)
3. International Building Code available from [www.iccsafe.org](http://www.iccsafe.org)
4. Agricultural Wiring Handbook available from [www.rerc.org](http://www.rerc.org), Rural Electricity Resource Council P.O. Box 309 Wilmington, OH 45177-0309
5. ASAE EP-364.2 Installation and Maintenance of Farm Standby Electric Power available from [www.asabe.org](http://www.asabe.org), American Society of Agricultural & Biological Engineers 2950 Niles Road, St. Joseph, MI 49085

This list is not all inclusive. Check with the Authority Having Jurisdiction (AHJ) for any local codes or standards which may be applicable to your jurisdiction.

## Section 2 General Information and Setup



001593

Figure 2-1. Features and Controls

TABLE 1. Generator Components

- |    |  |
|----|--|
| 1  | 120 Volt AC, 20 Amp Duplex Receptacle                      |
| 2  | 120/240 Volt AC, 30 Amp Locking Receptacle (NEMA L14-30R)  |
| 3  | Circuit Breakers (AC)                                      |
| 4  | On/Off Switch  |
| 5  | Hour Meter   |
| 6  | Ground Terminal  |
| 7  | Choke Lever  |
| 8  | Fuel Tank  |
| 9  | Oil Drain  |
| 10 | Oil Fill   |
| 11 | Air Cleaner  |
| 12 | Recoil Handle  |
| 13 | Fuel Shutoff Valve   |
| 14 | Battery Charger  |
| 15 | Circuit Breaker (DC)                                       |
| 16 | 120 Volt AC, 30 Amp Locking Receptacle (NEMA L5-30R)       |
| 17 | 120 Volt AC, 30 Amp Receptacle (NEMA TT-30R)               |
| 18 | 2-pole Circuit Breaker (AC)                                |
| 19 | 120 Volt AC, 20A GFCI Duplex Receptacle (CX5500 CARB only) |

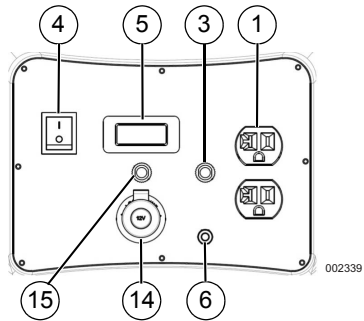


Figure 2-2. CX1400 Control Panel

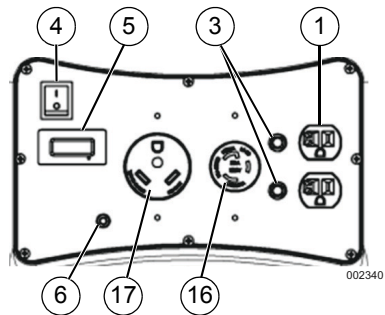


Figure 2-3. CX3500 Control Panel (CSA/CARB)

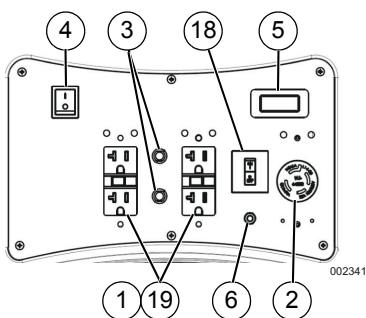


Figure 2-4. CX5500 Control Panel (CSA/CARB)

Replacement owner's manuals are available at [www.powermate.com](http://www.powermate.com).

## Emissions

The United States Environmental Protection Agency (US EPA) (and California Air Resources Board (CARB), for engines/equipment certified to California standards) requires that this engine/equipment complies with exhaust and evaporative emissions standards. Locate the emissions compliance decal on the engine to determine applicable standards. For emissions warranty information, please reference the included emissions warranty. It is important to follow the maintenance specifications in the manual to ensure that the engine complies with the applicable emissions standards for the duration of the product's life.



### WARNING

Consult Manual. Read and understand manual completely before using product. Failure to completely understand manual and product could result in death or serious injury. (000100a)

## Know Your Generator

### Product Specifications

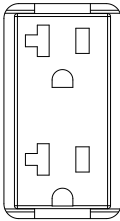
Generator Specifications	1400	3500	5500
Rated Power	1400W	3500W	5500W
Surge Power	1700W	4375W	6875W
Rated AC Voltage	120	120	120/240
Rated AC Load (Amps)	11.7**	29.2**	45.8 / 22.9**
Rated Frequency	60 Hz @ 3600 RPM	60 Hz @ 3600 RPM	60 Hz @ 3600 RPM
Phase	Single Phase	Single Phase	Single Phase
Unit Weight	60 lbs. (27.2 kg)	107 lbs. (48.5 kg)	173 lbs. (78.5 kg)
** Operating Temperature Range: -18 deg. C (0 deg. F) to 40 Deg. C (104 Deg. F). When operated above 25 deg. C (77 deg. F) there may be a decrease in power. ** Maximum wattage and current are subject to, and limited by, such factors as fuel Btu content, ambient temperature, altitude, engine condition, etc. Maximum power decreases about 3.5% for each 1,000 feet above sea level; and will also decrease about 1% for each 6° C (10° F) above 16° C (60° F) ambient temperature.			
Engine Specifications	1400	3500	5500
Displacement	98 cc	208 cc	420 cc
Spark Plug Part No.	NGK BPR6HS or equivalent	NGK BPR7ES or equivalent	NGK BPR7ES or equivalent
Spark Plug Gap	0.028-0.031 inch (0.70-0.80 mm)	0.028-0.031 inch (0.70-0.80 mm)	0.028-0.031 inch (0.70-0.80 mm)
Gasoline Capacity	5.7 L (1.5 U.S. gallons)	17 L (4.5 U.S. gallons)	26.5 L (7 U.S. gallons)
Oil Type	See Chart in <a href="#">Add Engine Oil</a>	See Chart in <a href="#">Add Engine Oil</a>	See Chart in <a href="#">Add Engine Oil</a>
Oil Capacity	0.4 L (0.4 qt.)	0.6 L (0.6 qt.)	1.0 L (1.0 qt.)
Run Time at 50% Load	9.5 Hours	12 Hours	12.5 Hours
* Go to <a href="http://www.powermate.com">www.powermate.com</a> or contact an IASD for replacement parts.			

## Connection Plugs

### 120 VAC, 20 Amp, Duplex Receptacle

The 120 Volt outlet is overload protected by a 20 Amp push-to-reset circuit breaker. See [Figure 2-5](#). Each receptacle will power 120 Volt AC, single phase, 60 Hz electrical loads requiring up to 2400 watts (2.4 kW) or 20 Amps of current. Use only high quality, well-insulated, 3-wire grounded cord sets rated for 125 Volts at 20 Amps (or greater).

**NOTE:** Limit length of extension cords to fifteen feet, or less, to prevent voltage drop and overheating of wires.



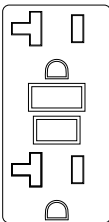
000424

**Figure 2-5. 120 VAC, 20 Amp, Duplex Receptacle NEMA 5-20R**

### 120 VAC, 20 Amp, GFCI Duplex Receptacle (if equipped)

The 120 Volt outlet is overload protected by a 20 Amp push-to-reset circuit breaker. See [Figure 2-6](#). Each receptacle will power 120 Volt AC, single phase, 60 Hz electrical loads requiring up to 2400 watts (2.4 kW) or 20 Amps of current. Use only high quality, well-insulated, 3-wire grounded cord sets rated for 125 Volts at 20 Amps (or greater). It also provides protection with a Ground Fault Circuit Interrupter with a press to TEST and RESET button.

**NOTE:** Limit length of extension cords to fifteen feet, or less, to prevent voltage drop and overheating of wires.



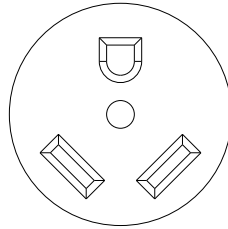
000203

**Figure 2-6. 120 VAC, 20 Amp, GFCI Duplex Receptacle NEMA 5-20R**

### 120 VAC, 30 Amp Receptacle

Use a NEMA TT-30R plug with this receptacle. Connect a suitable 3-wire cord set to the plug and to desired load. The cord set should be rated for 125 Volts AC at 30 Amps (or greater). See [Figure 2-7](#).

Use this receptacle to operate 120 Volt AC, 60Hz, single phase loads requiring up to 3600 watts (3.6kW) of power at 30 Amps. The outlet is protected by a 30 Amp push-to-reset circuit breaker.



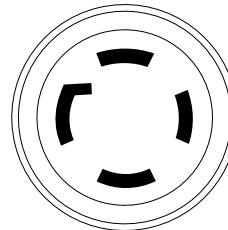
002226

**Figure 2-7. 120 VAC, 30 Amp Receptacle NEMA TT-30R**

### 120/240 VAC, 30 Amp Receptacle

Use a NEMA L14-30 plug with this receptacle (rotate to lock/unlock). Connect a suitable 4-wire grounded cord set to plug and desired load. The cord set should be rated 250 Volts AC at 30 Amps (or greater). See [Figure 2-8](#).

Use this receptacle to operate 120 Volt AC, 60 Hz, single phase loads requiring up to 2760 Watts (2.7 kW) of power at 23 Amps or 240 Volt AC, 60 Hz, single phase loads requiring up to 5520 watts (5.5 kW) of power at 23 Amps. The outlet is protected by a 2-pole 23 Amp toggle switch circuit breaker.



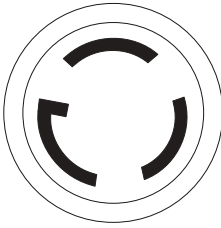
000204

**Figure 2-8. 120/240 VAC, 30 Amp Receptacle NEMA L14-30R**

## 110/120 VAC, 30 Amp Receptacle

Use a NEMA L5-30 plug with this receptacle (rotate to lock/unlock). Connect a suitable 3-wire cord set to the plug and to desired load. The cord set should be rated for 125 Volts AC at 30 Amps (or greater). See [Figure 2-9](#).

Use this receptacle to operate 120 Volt AC, 60Hz, single phase loads requiring up to 3600 watts (3.6kW) of power at 30 Amps. The outlet is protected by a 30 Amp push-to-reset circuit breaker.



**Figure 2-9. 120 VAC, 30 Amp Receptacle  
NEMA L5-30**

## Remove Contents from Carton

1. Open carton completely by cutting each corner from top to bottom.
2. Remove and verify carton contents prior to assembly. Carton contents should contain the following:

### TABLE 2. Accessories

Item - All Models	Qty.
Main Unit	1
Owner's Manual	1
Liter SAE Oil	1
Oil Funnel	1
<b>Hardware Bag - CX1400</b>	
Spark Plug Wrench with Rod	1
Battery Cable Set	1
<b>Hardware Bag - CX3500</b>	
Wheel (1)	2
Axle Pin (2)	2
Cotter Pin (3)	2
Foot Spacer (4)	2
Rubber Feet (5)	2
M10 x 4mm Flat Washer (6)	2

M6 x 25 Bolt (7)	2
M8 x 65 Bolt (8)	2
M6 Nyloc Nut (9)	2
<b>Hardware Bag - CX5500</b>	
Wheel (1)	2
Handle and Handle Bracket (2)	2
Axle Pin (3)	2
Cotter Pin (4)	2
Foot Spacer (5)	2
Rubber Feet (6)	2
M12 x 4mm Flat Washer (7)	2
M12 x 1.5mm Flat Washer (8)	2
M8 Flat Washer (9)	2
M8 x 50 Bolt (10)	2
M8 x 80 Bolt (11)	2
M8 Nyloc Nut (12)	4
Handle Grip (13)	2
<b>Tool Kit</b>	
5mm Hex Key	1
10 x 13mm Wrench	1
Spark Plug Wrench with Rod	1

3. Call Powermate Customer Service 1-800-445-1805 with the unit model and serial number for any missing carton contents.
4. Record model, serial number, and date of purchase on front cover of this manual.

## Assembly



### **WARNING**

Consult Manual. Read and understand manual completely before using product. Failure to completely understand manual and product could result in death or serious injury. (000100a)

Call Powermate Customer Service at 1-800-445-1805 for any assembly issues or concerns. Please have model and serial number available.

The following tools are required to install the accessory kit.

- See [Table 2: Accessories](#) (Tool Kit)

**NOTE:** The wheels are not intended for over-the-road use.

## CX3500

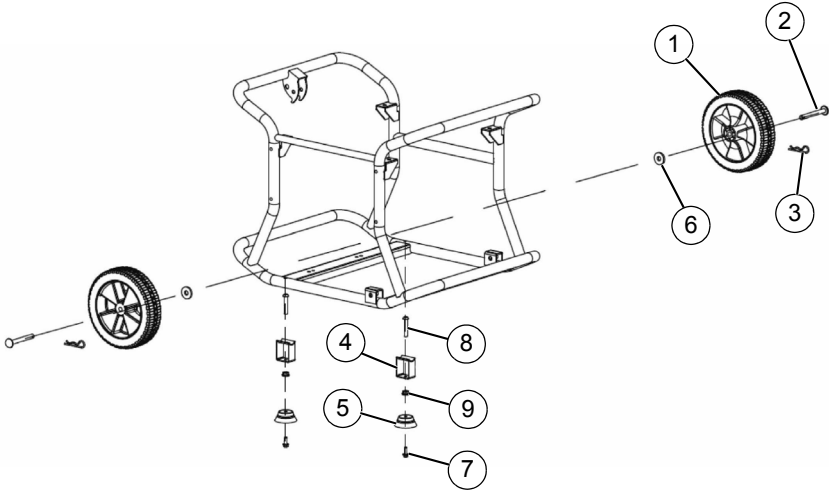
See [Figure 2-11](#).

Install wheels as follows:

1. Slide axle pin (2) through wheel (1), M10 x 4mm flat washer (6), and frame.
2. Insert cotter pin (3) through axle (2). Bend tabs (of cotter pins) outward to lock into place.

Install frame foot assembly as follows:

1. Slide rubber foot (5), M6 nyloc nut (9), and foot spacer (4) onto M6 x 25 bolt (7).
2. Align through holes in frame rail and secure with M8 x 65 bolt (8).



002346

**Figure 2-10. Wheel and Foot Assembly (CX3500)**

## CX5500

See [Figure 2-11](#).

Install wheels as follows:

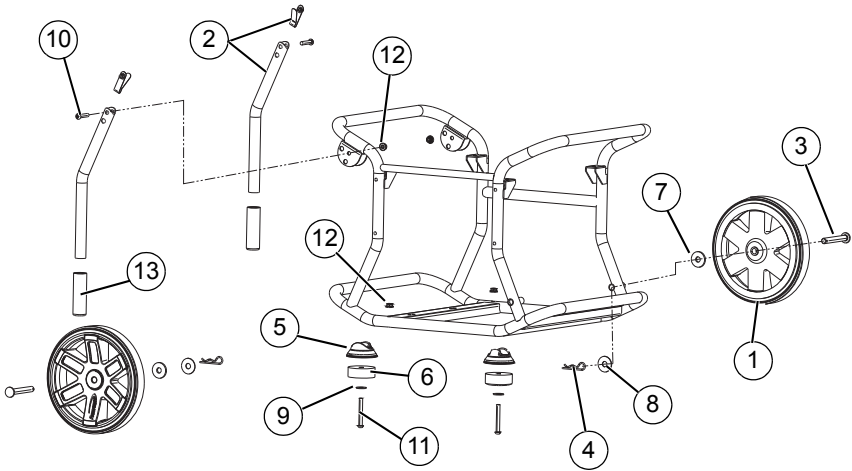
1. Slide axle pin (3) through wheel (1), M12 x 4mm flat washer (7), and frame.
2. Install M12 x 4mm flat washer (7) and insert cotter pin (4) through axle (3). Bend tabs (of cotter pins) outward to lock into place.

Install frame foot assembly as follows:

1. Slide M8 flat washer (9), rubber foot (6), foot spacer (5) onto M8 x 80 bolt (10).
2. Align through holes in frame rail and secure with M8 nyloc nut (12).

Install handle as follows:

1. Slide M8 x 50 bolt (10) through handle bracket and handle (2). Secure with M8 nyloc nut (12).



0001592

**Figure 2-11. Wheel, Handle and Foot Assembly (CX5500)**

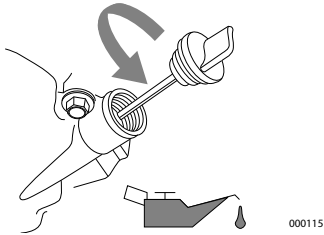
## Add Engine Oil

### CAUTION

Engine damage. Verify proper type and quantity of engine oil prior to starting engine. Failure to do so could result in engine damage.

(000135)

1. Place generator on a level surface.
2. Verify oil fill area is clean.
3. Remove oil fill cap and wipe dipstick clean. See [Figure 2-12](#).

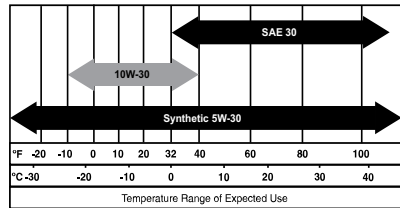


000115

**Figure 2-12. Remove Dipstick**

4. Add recommended engine oil. Climate determines proper engine oil viscosity. See chart to select correct viscosity.

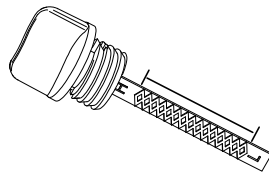
**NOTE:** Use petroleum based oil (supplied) for engine break-in before using synthetic oil.



000399

**NOTE:** Some units have more than one oil fill location. It is only necessary to use one oil fill point.

5. Thread dipstick into oil filler neck. Oil level is checked with dipstick fully installed.
6. See [Figure 2-13](#). Remove dipstick and verify oil level is within safe operating range.



000116

**Figure 2-13. Safe Operating Range**

7. Install oil fill cap/dipstick and hand-tighten.

## Fuel



### ▲ DANGER

Explosion and Fire. Fuel and vapors are extremely flammable and explosive. Add fuel in a well ventilated area. Keep fire and spark away. Failure to do so will result in death or serious injury. (000105)

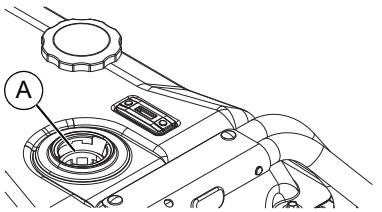


### ▲ DANGER

Do not overfill fuel tank. Fill to 1/2 in. of top of tank to allow for fuel expansion. Overfilling may cause fuel to spill onto engine causing fire or explosion, which will result in death or serious injury. (000166)

Fuel requirements are as follows:

- Clean, fresh, unleaded gasoline.
  - Minimum rating of 87 octane/87 AKI (91 RON).
  - Up to 10% ethanol (gasohol) is acceptable (where available; non-ethanol-premium fuel is recommended).
  - DO NOT use E85.
  - DO NOT use a gas oil mix.
  - DO NOT modify engine to run on alternate fuels. Stabilize fuel prior to storage.
1. Verify unit is OFF and cooled for a minimum of two minutes prior to fueling.
  2. Place unit on level ground in a well ventilated area.
  3. Clean area around fuel cap and remove cap slowly.
  4. Slowly add recommended fuel. Do not fill above red fuel indicator (A). See [Figure 2-14](#).
  5. Install fuel cap.



000206

**Figure 2-14. Add Recommended Fuel**

**NOTE:** Allow spilled fuel to evaporate before starting unit.

**IMPORTANT NOTE:** It is important to prevent gum deposits from forming in fuel system parts such as the carburetor, fuel hose or tank during storage. Alcohol-blended fuels (called gasohol, ethanol or methanol) can attract moisture, which leads to separation and formation of acids during storage. Acidic gas can damage the fuel system of an engine while in storage. To avoid engine problems, the fuel system should be emptied before storage of 30 days or longer. See the [Storage](#) section. Never use engine or carburetor cleaner products in the fuel tank as permanent damage may occur.



## Section 3 Operation

### Operation and Use Questions

Call Powermate customer service at 1-800-445-1805 with questions or concerns about equipment operation and maintenance.

### Before Starting Engine

1. Verify engine oil level is correct.
2. Verify fuel level is correct.
3. Verify unit is secure on level ground, with proper clearance and is in a well ventilated area.

### Prepare Generator for Use



#### **⚠ DANGER**

Asphyxiation. Running engines produce carbon monoxide, a colorless, odorless, poisonous gas. Carbon monoxide, if not avoided, will result in death or serious injury. (000103)



#### **⚠ DANGER**

The exhaust system must be properly maintained. Do not alter or modify the exhaust system as to render it unsafe or make it noncompliant with local codes and/or standards. Failure to do so will result in death or serious injury. (000179a)



#### **⚠ WARNING**

Risk of fire. Do not use generator without spark arrestor installed. Failure to do so could result in death or serious injury. (000118a)



#### **⚠ WARNING**

Asphyxiation. Always use a battery operated carbon monoxide alarm indoors and installed according to the manufacturer's instructions. Failure to do so could result in death or serious injury. (000178a)



#### **⚠ WARNING**

Risk of Fire. Hot surfaces could ignite combustibles, resulting in fire. Fire could result in death or serious injury. (000110)



#### **⚠ WARNING**

Hot Surfaces. When operating machine, do not touch hot surfaces. Keep machine away from combustibles during use. Hot surfaces could result in severe burns or fire. (000108)

#### **⚠ CAUTION**

Equipment and property damage. Disconnect electrical loads prior to starting or stopping unit. Failure to do so could result in equipment and property damage. (000136)

### Grounding the Generator When In Use

The generator is equipped with a terminal for the connection of a grounding electrode system. Article 250.34 (A) does not require the frame of the generator to be connected to a grounding electrode system when the generator only supplies power to cord and plug connected equipment through the receptacles on the generator.

When the generator supplies power to a 3 pole manual transfer switch or distribution panel boards for temporary power, a grounding electrode system shall be installed and connected to the grounding electrode terminal on the generator. See NEC 250.30, 250.34 and 250.52 for clarification. See [Figure 3-1](#).

- Neutral Bonded to Frame

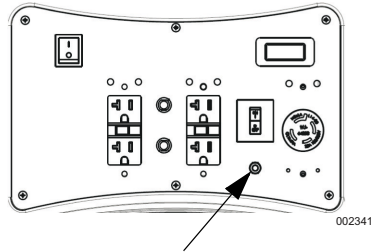


Figure 3-1. Grounding the Generator

### Special Requirements

Review all Federal or State Occupational Safety and Health Administration (OSHA) regulations, local codes, or ordinances that apply to the intended use of the generator.

Consult a qualified electrician, electrical inspector, or the local agency having jurisdiction:

- In some areas, generators are required to be registered with local utility companies.
- If the generator is used at a construction site, there may be additional regulations which must be observed.

### Connecting the Generator to a Building Electrical System

When connecting directly to a building electrical system, it is recommended that a manual transfer switch be used. Connections for a portable generator to a building electrical system must be made by a qualified electrician and in strict compliance with all national and local electrical codes and laws.

## Know Generator Limits

Overloading a generator can result in damage to the generator and connected electrical devices. Observe the following to prevent overload:

- Add up the total wattage of all electrical devices to be connected at one time. This total should NOT be greater than the generator's wattage capacity.
  - The rated wattage of lights can be taken from light bulbs. The rated wattage of tools, appliances, and motors can be found on a data label or decal affixed to the device.
  - If the appliance, tool, or motor does not give wattage, multiply volts times ampere rating to determine watts (volts x amps = watts).
  - Some electric motors, such as induction types, require about three times more watts of power for starting than for running. This surge of power lasts only a few seconds when starting such motors. Make sure to allow for high starting wattage when selecting electrical devices to connect to the generator:
1. Figure the watts needed to start the largest motor.
  2. Add to that figure the running watts of all other connected loads.

The Wattage Reference Guide is provided to assist in determining how many items the generator can operate at one time.

**NOTE:** All figures are approximate. See data label on appliance for wattage requirements.

**Table 3. Wattage Reference Guide**

Device	Running Watts
*Air Conditioner (12,000 Btu)	1700
*Air Conditioner (24,000 Btu)	3800
*Air Conditioner (40,000 Btu)	6000
Battery Charger (20 Amp)	500
Belt Sander (3")	1000
Chain Saw	1200
Circular Saw (6-1/2")	800 to 1000
*Clothes Dryer (Electric)	5750
*Clothes Dryer (Gas)	700
*Clothes Washer	1150
Coffee Maker	1750
*Compressor (1 HP)	2000
*Compressor (3/4 HP)	1800
*Compressor (1/2 HP)	1400
Curling Iron	700
*Dehumidifier	650
Disc Sander (9")	1200

Edge Trimmer	500
Electric Blanket	400
Electric Nail Gun	1200
Electric Range (per element)	1500
Electric Skillet	1250
*Freezer	700
*Furnace Fan (3/5 HP)	875
*Garage Door Opener	500 to 750
Hair Dryer	1200
Hand Drill	250 to 1100
Hedge Trimmer	450
Impact Wrench	500
Iron	1200
*Jet Pump	800
Lawn Mower	1200
Light Bulb	100
Microwave Oven	700 to 1000
*Milk Cooler	1100
Oil Burner on Furnace	300
Oil Fired Space Heater (140,000 Btu)	400
Oil Fired Space Heater (85,000 Btu)	225
Oil Fired Space Heater (30,000 Btu)	150
*Paint Sprayer, Airless (1/3 HP)	600
Paint Sprayer, Airless (hand-held)	150
Radio	50 to 200
*Refrigerator	700
Slow Cooker	200
*Submersible Pump (1-1/2 HP)	2800
*Submersible Pump (1 HP)	2000
*Submersible Pump (1/2 HP)	1500
*Sump Pump	800 to 1050
*Table Saw (10")	1750 to 2000
Television	200 to 500
Toaster	1000 to 1650
Weed Trimmer	500
* Allow 3 times the listed watts for starting these devices.	

## Transporting/Tipping of the Unit

Do not operate, store or transport the unit at an angle greater than 15 degrees.

## Starting Pull Start Engines



### ⚠WARNING

Recoil Hazard. Recoil could retract unexpectedly. Kickback could result in death or serious injury.

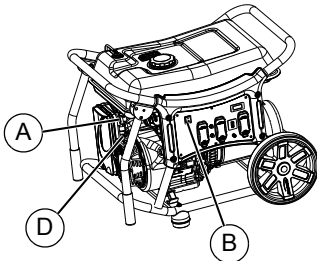
(000183)

### ⚠CAUTION

Equipment and property damage. Disconnect electrical loads prior to starting or stopping unit. Failure to do so could result in equipment and property damage.

(000136)

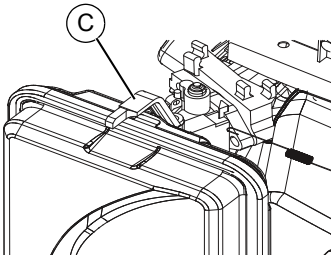
1. Unplug all electrical loads from the unit's receptacles before starting engine.
2. Place generator on a level surface.
3. See [Figure 3-2](#). Open the fuel shut-off valve (A).
4. Turn engine ON/OFF switch (B) to ON. See [Figure 3-2](#).



001593

**Figure 3-2. Engine Controls**

5. Slide engine choke (C) to Full CHOKE position (left). See [Figure 3-3](#).



000209

**Figure 3-3. Choke Position**

6. See [Figure 3-2](#). Firmly grasp recoil handle (D) and pull slowly until increased resistance is felt. Pull rapidly up and away.
7. When engine starts, move choke lever to 1/2 CHOKE position until engine runs smoothly, then fully into ON position. If engine falters, move choke back to 1/2-CHOKE position until engine runs smoothly, then to ON position.

**NOTE:** If engine fires, but does not continue to run, move choke lever to Full CHOKE and repeat starting instructions.

**IMPORTANT NOTE:** Do not overload generator or individual panel receptacles. These outlets are overload protected with push-to-reset circuit breakers. If amperage rating of any circuit breaker is exceeded, that breaker opens and electrical output to that receptacle is lost. Read [Know Generator Limits](#) carefully.

## Generator Shut Down

### ⚠CAUTION

Equipment and property damage. Disconnect electrical loads prior to starting or stopping unit. Failure to do so could result in equipment and property damage.

(000136)

1. Shut off all loads and unplug electrical loads from generator panel receptacles.
2. Let engine run at no-load for several minutes to stabilize internal temperatures of engine and generator.
3. Move ON/OFF switch to OFF.
4. Close fuel valve.

**NOTE:** Under normal conditions, close fuel valve and allow generator to run carburetor bowl out of fuel. For emergencies, switch to OFF.

## Low Oil Level Shutdown System

The engine is equipped with a low oil level sensor that shuts down the engine automatically when the oil level drops below a specified level. The engine will not run until the oil has been filled to the proper level.

If the engine shuts down and there is sufficient fuel, check engine oil level.

## Section 4 Maintenance and Troubleshooting

### Maintenance

Regular maintenance will improve performance and extend engine/equipment life. The manufacturer recommends that all maintenance work be performed by an Independent Authorized Service Dealer (IASD). Regular maintenance, replacement or repair of the emissions control devices and systems may be performed by any repair shop or person of the owner's choosing. However, to obtain emissions control warranty service free of charge, the work must be performed by an IASD. See the emissions warranty.

**NOTE:** Call Powermate customer service at 1-800-445-1805 with questions about component replacement.

### Maintenance Schedule

Follow maintenance schedule intervals, whichever occurs first according to use.

**NOTE:** Adverse conditions will require more frequent service.

**NOTE:** All required service and adjustments should be each season as detailed in the following chart.

At Each Use
Check engine oil level
Every 100 Hours or Every Season*
Change oil †
Change fuel filter
Every Season
Replace spark plug
Check valve clearance***
Every 200 Hours or Every Season
Inspect/clean air filter**
† Change oil after first 30 hours of operation, then every season.
* Change oil and oil filter every month when operating under heavy load or in high temperatures.
** Clean more often under dirty or dusty operating conditions. Replace air filter parts if they cannot be adequately cleaned.
*** Check valve clearance and adjust if necessary after first 50 hours of operation and every 100 hours thereafter.

### Preventive Maintenance

Dirt or debris can cause improper operation and equipment damage. Clean generator daily or before each use. Keep area around and behind muffler free from combustible debris. Inspect all cooling air openings on generator.

#### **WARNING**

Do not insert any object through the air cooling slots. Generator can start at any time and could result in death, serious injury, and unit damage.

(000142)

- Use a damp cloth to wipe exterior surfaces clean.
- Use a soft bristle brush to loosen caked on dirt, oil, etc.
- Use a vacuum to pick up loose dirt and debris.
- Low pressure air (not to exceed 25 psi) may be used to blow away dirt. Inspect cooling air slots and openings on generator. These openings must be kept clean and unobstructed.

**NOTE:** DO NOT use a garden hose to clean generator. Water can enter engine fuel system and cause problems. If water enters generator through cooling air slots, some water will be retained in voids and crevices of rotor and stator winding insulation. Water and dirt buildup on generator internal windings will decrease insulation resistance of windings.

### Engine Maintenance

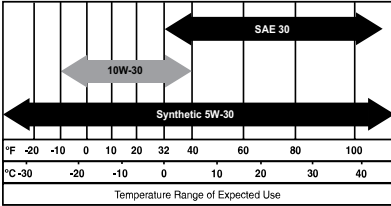
#### **WARNING**

Accidental start-up. Disconnect spark plug wires when working on unit. Failure to do so could result in death or serious injury.

(000141)

### Engine Oil Recommendations

To maintain the product warranty, the engine oil should be serviced in accordance with the recommendations of this manual. For your convenience, maintenance kits designed and intended for use on this product are available from the manufacturer that include engine oil, oil filter, air filter, spark plug(s), a shop towel and funnel. These kits can be obtained from an Independent Authorized Service Dealer (IASD).



000399

## Inspect Engine Oil Level



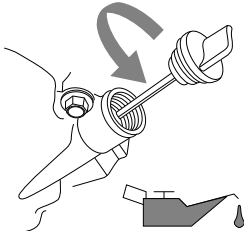
### WARNING

Risk of burns. Allow engine to cool before draining oil or coolant. Failure to do so could result in death or serious injury.

(000139)

Inspect engine oil level prior to each use, or every 8 hours of operation.

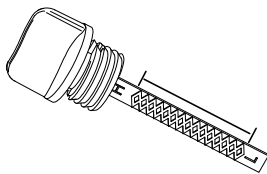
1. Place generator on a level surface.
2. Clean area around oil fill.
3. See Figure 4-1. Remove oil fill cap and wipe dipstick clean.



000115

Figure 4-1. Engine Oil Fill

4. Screw dipstick into filler neck. Remove dipstick and verify oil level is within safe operating range. See [Figure 4-2](#).



000116

Figure 4-2. Safe Operating Range

5. Add recommended engine oil as necessary.
6. Install oil fill cap and hand-tighten.

**NOTE:** Some units have more than one oil fill location. It is only necessary to use one oil fill point.

## Change Engine Oil

### WARNING

Accidental start-up. Disconnect spark plug wires when working on unit. Failure to do so could result in death or serious injury.

(000141)

When using generator under extreme, dirty, dusty conditions, or in extremely hot weather, change oil more frequently.

**NOTE:** Don't pollute. Conserve resources. Return used oil to collection centers.

Change oil while engine is still warm from running, as follows:

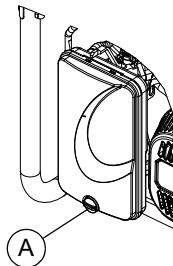
1. Place generator on a level surface.
2. Disconnect the spark plug wire from the spark plug and place the wire where it cannot contact spark plug.
3. Clean area around oil fill, and oil drain plug.
4. Remove oil fill cap.
5. Remove oil drain plug and drain oil completely into a suitable container.
6. Install oil drain plug and tighten securely.
7. Slowly pour oil into oil fill opening until oil level is within safe operating range. DO NOT overfill.
8. Install oil fill cap, and hand-tighten.
9. Wipe up any spilled oil.
10. Properly dispose of oil in accordance with all applicable regulations.

## Air Filter

Engine will not run properly and may be damaged if run with a dirty air filter. Service air filter more frequently in dirty or dusty conditions. To service air filter:

1. See [Figure 4-3](#). Turn knob (A) and remove air filter cover.
2. Wash in soapy water. Squeeze filter dry in clean cloth (DO NOT TWIST).
3. Clean air filter cover before re-installing it.

**NOTE:** To order a new air filter, contact the nearest authorized service center at 1-888-436-3722.



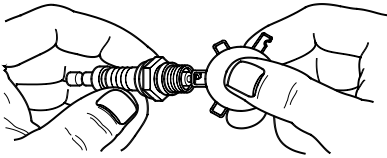
000379

Figure 4-3. Air Filter Assembly

## Service Spark Plug

To service spark plug:

1. Clean area around spark plug.
2. Remove and inspect spark plug.
3. Inspect electrode gap with wire feeler gauge and reset spark plug gap to 0.028-0.031 in (0.7-0.8 mm). See [Figure 4-4](#).



000211

Figure 4-4. Spark Plug

**NOTE:** Replace spark plug if electrodes are pitted, burned or porcelain is cracked. Use ONLY recommended replacement plug. See Specifications.

4. Install spark plug finger tight, and tighten an additional 3/8 to 1/2 turn using spark plug wrench.

## Inspect Muffler and Spark Arrestor

**NOTE:** It is a violation of California Public Resource Code, Section 4442, to use or operate the engine on any forest-covered, brush-covered, or grass-covered land unless the exhaust system is equipped with a spark arrestor, as defined in Section 4442, maintained in effective working order. Other states or federal jurisdictions may have similar laws.

Contact original equipment manufacturer, retailer, or dealer to obtain a spark arrestor designed for exhaust system installed on this engine.

**NOTE:** Use ONLY original equipment replacement parts.

Inspect muffler for cracks, corrosion, or other damage. Remove spark arrestor, if equipped, inspect for damage or carbon blockage. Replace parts as required.

## Inspect Spark Arrestor Screen (CARB models)

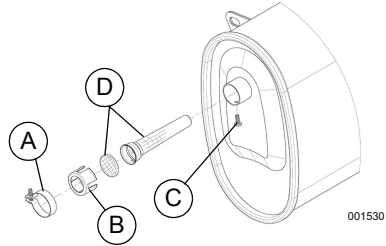


### ⚠️ DANGER

Hot Surfaces. When operating machine, do not touch hot surfaces. Keep machine away from combustibles during use. Hot surfaces could result in severe burns or fire. (000108)

1. See [Figure 4-5](#). Loosen screw and remove retainer clamp (A) and retainer (B).
2. Remove retainer screw (C) from muffler outlet tube.

3. Remove screen (D) and replace if torn, perforated or otherwise damaged. If screen is not damaged, clean with commercial solvent.
4. Replace screen and retainer, secure with screw.
5. Install clamp.



001530

Figure 4-5. Spark Arrestor Screen

## Valve Clearance

**IMPORTANT NOTE:** If uncomfortable about doing this procedure, or the proper tools are not available, take generator to the nearest service center to have valve clearance adjusted.

Check valve clearance after the first fifty-hours of operation. Adjust as necessary.

- Intake – 0.1mm ± 0.02mm (cold), (0.004" ± 0.001" inches)
- Exhaust – 0.15mm ± 0.02mm (cold), (0.006" ± 0.001" inches)

## Storage

### General



### ⚠️ DANGER

Explosion and Fire. Fuel and vapors are extremely flammable and explosive. Store fuel in a well ventilated area. Keep fire and spark away. Failure to do so will result in death or serious injury. (000143)



### ⚠️ WARNING

Risk of Fire. Verify machine has properly cooled before installing cover and storing machine. Hot surfaces could result in fire. (000109)

It is recommended to start and run the generator for 30 minutes, every 30 days. If this is not possible, refer to the following list to prepare unit for storage.

- DO NOT place a storage cover on a hot generator. Allow unit to cool to room temperature before storage.
- DO NOT store fuel from one season to another unless properly treated.
- Replace fuel container if rust is present. Rust in fuel will cause fuel system problems.

- 
- Cover unit with a suitable protective, moisture resistant cover.
  - Store unit in a clean and dry area.
  - Always store generator and fuel away from heat and ignition sources.

## Prepare Fuel System for Storage

Fuel stored over 30 days can go bad and damage fuel system components. Keep fuel fresh, use fuel stabilizer.

If fuel stabilizer is added to fuel system, prepare and run engine for long term storage. Run engine for 10-15 minutes to circulate stabilizer throughout fuel system. Adequately prepared fuel can be stored up to 24 months.

**NOTE:** If fuel has not been treated with fuel stabilizer, it must be drained into an approved container. Run engine until it stops from lack of fuel. Use of fuel stabilizer in fuel storage container is recommended to keep fuel fresh.

1. Change engine oil.
2. Remove spark plug.
3. Pour tablespoon (5-10cc) of clean engine oil or spray a suitable fogging agent into cylinder.



### **WARNING**

Vision Loss. Eye protection is required to avoid spray from spark plug hole when cranking engine. Failure to do so could result in vision loss.

(000181)

4. Pull starter recoil several times to distribute oil in cylinder.
5. Install spark plug.
6. Pull recoil slowly until resistance is felt. This will close valves so moisture cannot enter engine cylinder. Gently release recoil.

## Change Oil

Change engine oil before storage. See [Change Engine Oil](#).

## Troubleshooting

PROBLEM	CAUSE	CORRECTION
Engine is running, but AC output is not available.	<ol style="list-style-type: none"> <li>1. Circuit breaker OPEN.</li> <li>2. Poor connection or defective cord set.</li> <li>3. Connected device is bad.</li> <li>4. Fault in generator.</li> <li>5. GFCI receptacle is OPEN (if equipped).</li> </ol>	<ol style="list-style-type: none"> <li>1. Reset circuit breaker.</li> <li>2. Check and repair.</li> <li>3. Connect another device that is in good condition.</li> <li>4. Contact IASD.</li> <li>5. Correct ground fault and press reset button on GFCI receptacle (if equipped).</li> </ol>
Engine runs well at no-load, but bogs when load is applied.	<ol style="list-style-type: none"> <li>1. Short circuit in a connected load.</li> <li>2. Generator is overloaded.</li> <li>3. Engine speed is too slow.</li> <li>4. Shorted generator circuit.</li> <li>5. Dirty fuel filter.</li> </ol>	<ol style="list-style-type: none"> <li>1. Disconnect shorted electrical load.</li> <li>2. See <a href="#">Know Generator Limits</a>.</li> <li>3. Contact IASD.</li> <li>4. Contact IASD.</li> <li>5. Replace fuel filter.</li> </ol>
Engine will not start; or starts and runs rough.	<ol style="list-style-type: none"> <li>1. ON/OFF switch is OFF.</li> <li>2. Fuel shut-off is OFF.</li> <li>3. Dirty air filter.</li> <li>4. Out of fuel.</li> <li>5. Stale fuel.</li> <li>6. Spark plug wire not connected to spark plug.</li> <li>7. Bad spark plug.</li> <li>8. Water in fuel.</li> <li>9. Overchoking.</li> <li>10. Low oil level.</li> <li>11. Excessive rich fuel mixture.</li> <li>12. Intake valve stuck open or closed.</li> <li>13. Engine lost compression.</li> <li>14. Dirty fuel filter.</li> </ol>	<ol style="list-style-type: none"> <li>1. Turn ON/OFF switch ON.</li> <li>2. Turn fuel shut-off ON.</li> <li>3. Clean or replace air filter.</li> <li>4. Fill fuel tank.</li> <li>5. Drain fuel tank and fill with fresh fuel.</li> <li>6. Connect wire to spark plug.</li> <li>7. Replace spark plug.</li> <li>8. Drain fuel tank; fill with fresh fuel.</li> <li>9. Set choke to no choke position.</li> <li>10. Fill crankcase to correct level.</li> <li>11. Contact IASD.</li> <li>12. Contact IASD.</li> <li>13. Contact IASD.</li> <li>14. Replace fuel filter.</li> </ol>
Engine shuts down during operation.	<ol style="list-style-type: none"> <li>1. Out of fuel.</li> <li>2. Low oil level.</li> <li>3. Fault in engine.</li> </ol>	<ol style="list-style-type: none"> <li>1. Fill fuel tank.</li> <li>2. Fill crankcase to correct level.</li> <li>3. Contact IASD.</li> </ol>
Engine lacks power.	<ol style="list-style-type: none"> <li>1. Load is too high.</li> <li>2. Dirty air filter.</li> <li>3. Engine needs to be serviced.</li> <li>4. Dirty fuel filter.</li> </ol>	<ol style="list-style-type: none"> <li>1. Reduce load (see <a href="#">Know Generator Limits</a>).</li> <li>2. Clean or replace air filter.</li> <li>3. Contact IASD.</li> <li>4. Replace fuel filter.</li> </ol>
Engine surges or stumbles.	<ol style="list-style-type: none"> <li>1. Choke is opened too soon.</li> <li>2. Carburetor is running too rich or too lean.</li> </ol>	<ol style="list-style-type: none"> <li>1. Set choke to halfway position until engine runs smoothly.</li> <li>2. Contact IASD.</li> </ol>



---

## Notes





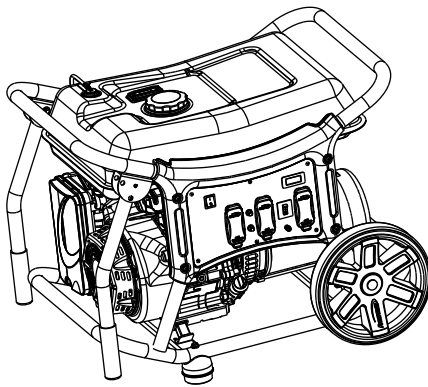


Part No. 1000001749      Rev. B 05/17/16  
©2016 Powermate All rights reserved.  
Specifications are subject to change without notice.  
No reproduction allowed in any form without prior  
written consent from Powermate.

Powermate, LLC  
S45 W29290 Hwy. 59  
Waukesha, WI 53189  
1-800-445-1805  
[www.powermate.com](http://www.powermate.com)



*Generadores portátiles*  
**CX1400/3500/5500**  
*Manual del propietario*



**MODELO:** \_\_\_\_\_

**SERIE:** \_\_\_\_\_

**FECHA DE COMPRA:** \_\_\_\_\_



**ADVERTENCIA**

Este producto no está destinado al uso en aplicaciones críticas de soporte a la vida humana. No adherir a estas instrucciones puede causar la muerte o lesiones graves.

(000209a)

Registre su producto Powermate en:  
[www.powermate.com](http://www.powermate.com)  
1-800-445-1805

**GUARDE ESTE MANUAL PARA REFERENCIA EN EL FUTURO**

# Índice

## Sección 1 Introducción

<b>y seguridad</b> .....	1
Introducción .....	1
Reglas de seguridad .....	1
Símbolos de seguridad y sus significados .....	1
Peligros relacionados con el escape y la ubicación .....	2
Peligros eléctricos .....	3
Peligros de incendio .....	3
Índice de normas .....	3

## Sección 2 Información general y configuración

Conozca su generador .....	5
Emisiones .....	5
Enchufes de conexión .....	6
Retiro del contenido de la caja .....	7
Armado .....	7
Cómo añadir aceite de motor .....	9
Combustible .....	10

## Sección 3 Operación

Preguntas sobre operación y uso .....	11
Antes de poner en marcha el motor .....	11
Preparación del generador para el uso .....	11
Conexión a tierra del generador cuando está en uso .....	11
Conozca los límites del generador .....	12
Transporte e inclinación de la unidad .....	12

Puesta en marcha de motores con arranque con tirador .....	13
Parada del generador .....	13
Sistema de parada por bajo nivel de aceite .....	13

## Sección 4 Mantenimiento y resolución de problemas

Mantenimiento .....	14
Programa de mantenimiento .....	14
Mantenimiento preventivo .....	14
Mantenimiento del motor .....	14
Inspección del silenciador y supresor de chispas .....	16
Luz de válvulas .....	16
Almacenamiento .....	17
Resolución de problemas .....	18
Notas .....	19

---

**⚠ ADVERTENCIA**

Proposición 65 de California. El escape del motor y algunos de sus componentes son conocidos por el estado de California como causantes de cáncer, defectos congénitos y otros daños reproductivos.

(000004)

---

**⚠ ADVERTENCIA**

Proposición 65 de California. Este producto contiene o emite sustancias químicas que son conocidas por el estado de California como causantes de cáncer, defectos congénitos y otros daños reproductivos.

(000005)

---

# Sección 1 Introducción y seguridad

## Introducción

Gracias por adquirir un producto Powermate. Esta unidad ha sido diseñada para proporcionar alto rendimiento, funcionamiento eficiente, y años de uso cuando se mantiene apropiadamente.



### ⚠️ ADVERTENCIA

Consulte el manual. Lea y comprenda completamente el manual antes de usar el producto. No comprender completamente el manual puede provocar la muerte o lesiones graves.

(000100a)

Si no se comprende alguna sección de este manual, comuníquese con el Concesionario de servicio autorizado independiente (IASD) más cercano, o comuníquese con Servicio al cliente de Powermate al 1-800-445-1805, o con [www.powermate.com](http://www.powermate.com) para todas las preguntas o inquietudes.

El propietario es responsable del mantenimiento apropiado y del uso seguro del equipo. Antes de operar, efectúe el servicio o almacene este generador:

- Estudie atentamente todas las advertencias indicadas en este manual y en el producto.
- Familiarícese con este manual y la unidad antes del uso.
- Consulte la sección Armado del manual para las instrucciones sobre los procedimientos de armado finales. Siga las instrucciones completamente.

Guarde estas instrucciones para referencia en el futuro. SIEMPRE suministre este manual a la persona que usará la máquina.

LA INFORMACIÓN QUE FIGURA AQUÍ SE BASÓ EN MÁQUINAS QUE ESTABAN EN PRODUCCIÓN EN EL MOMENTO DE PUBLICACIÓN. POWERMATE SE RESERVA EL DERECHO DE MODIFICAR ESTE MANUAL EN CUALQUIER MOMENTO.

## Reglas de seguridad

El fabricante no puede prever todas las circunstancias posibles que podrían involucrar un peligro. Las advertencias de este manual y los rótulos y etiquetas adhesivas fijados en la unidad, por lo tanto, no son exhaustivos. Si usa un procedimiento, método de trabajo o técnica de funcionamiento que el fabricante no recomienda específicamente, verifique que sea seguro para otras personas. Asegúrese también de que el procedimiento, método de trabajo o técnica de funcionamiento utilizado no vuelva inseguro al equipo.

En toda esta publicación, en los rótulos y en las etiquetas adhesivas fijadas en el generador, los bloques de PELIGRO, ADVERTENCIA, PRECAUCIÓN y NOTA se usan para alertar al personal sobre instrucciones especiales acerca de una operación en particular que puede ser

perigliosa si se efectúa de manera incorrecta o imprudente. Respételos cuidadosamente. Sus definiciones son las siguientes:

### ⚠️ PELIGRO

Indica una situación peligrosa que, si no se evita, ocasionará la muerte o lesiones graves.

(000001)

### ⚠️ ADVERTENCIA

Indica una situación peligrosa que, si no se evita, podría ocasionar la muerte o lesiones graves.

(000002)

### ⚠️ PRECAUCIÓN

Indica una situación riesgosa que, si no se evita, puede producir lesiones leves o moderadas.

(000003)

**NOTA:** Las Notas contienen información adicional importante para un procedimiento y se encuentran dentro del texto de este manual.

Estas advertencias de seguridad no pueden eliminar los peligros que indican. El sentido común y el cumplimiento estricto de las instrucciones especiales mientras se desarrolla la acción o el servicio son esenciales para la prevención de accidentes.

## Símbolos de seguridad y sus significados

**⚠️ ¡PELIGRO!**

Usar un generador en interiores **LO PUEDE MATAR EN MINUTOS.**  
Los gases de escape del generador contienen monóxido de carbono, este es un veneno que no se puede ver u oler.

 <b>NUNCA</b> lo use dentro de una casa o garaje, AUN si la puerta y las ventanas se encuentran abiertas.	 Use únicamente en <b>EXTERIORES</b> , y alejado de ventanas, puertas y ventilaciones.
--	---

000657



### ⚠️ PELIGRO

Asfisia. Los motores funcionando producen monóxido de carbono, un gas incoloro, inodoro, y venenoso. El monóxido de carbono, si no se evita, ocasionará la muerte o lesiones graves.

(000103)

- Si comienza a sentirse enfermo, mareado o débil después de que el generador ha estado funcionando, salga **INMEDIATAMENTE** al aire fresco. Consulte a un médico, ya que podría sufrir envenenamiento por monóxido de carbono.



**⚠ PELIGRO**

El sistema de escape se debe mantener en forma apropiada. No altere ni modifique el sistema de arranque como para convertirlo en inseguro o que no cumplimentará los códigos y/o normas locales. No hacerlo ocasionará la muerte o lesiones graves. (000179a)



**⚠ PELIGRO**

Electrocución. Si no se evita el contacto del agua con una fuente de alimentación, ocasionará la muerte o lesiones graves. (000104)



**⚠ PELIGRO**

Electrocución. APAGUE el suministro de alimentación de emergencia y de la red eléctrica antes de conectar la fuente de alimentación y las líneas de carga. En caso de no hacerlo, podría provocar la muerte o lesiones graves. (000116)

**⚠ ADVERTENCIA**

Daños a los equipos y la propiedad. No altere la construcción, instalación, o bloquee la ventilación para el generador. No hacer esto puede provocar el funcionamiento inseguro o dañar el generador. (000146)



**⚠ ADVERTENCIA**

Asfisia. En interiores, utilice siempre una alarma de monóxido de carbono alimentada por pilas e instalada de acuerdo con las instrucciones de los fabricantes. En caso de no hacerlo, podría provocarse la muerte o lesiones graves. (000178a)

**⚠ ADVERTENCIA**

Daños a los equipos y a la propiedad. No use la unidad sobre superficies desparejas, o en zonas con exceso de humedad, suciedad, polvo, o vapores corrosivos. Hacerlo puede ocasionar la muerte, lesiones graves y daños al equipo. (000250)



**⚠ ADVERTENCIA**

Piezas en movimiento. Mantenga la ropa, cabello, y extremidades alejados de las piezas en movimiento. No hacerlo puede ocasionar la muerte o lesiones graves. (000111)



**⚠ ADVERTENCIA**

Superficies calientes. Al usar la máquina, no toque las superficies calientes. Mantenga la máquina alejada de los combustibles durante el uso. Las superficies calientes pueden ocasionar quemaduras graves o incendio. (000108)

**⚠ ADVERTENCIA**

No inserte ningún objeto a través de las ranuras de aire de enfriamiento. El generador puede arrancar en cualquier momento y puede producir la muerte, lesiones graves y daños a la unidad. (000142)

**⚠ ADVERTENCIA**

Riesgo de lesión. No opere o brinde servicio a esta máquina si no está completamente alerta. La fatiga puede desvirtuar la capacidad para brindar servicio a este equipo y puede ocasionar la muerte o lesiones graves. (000215)

**⚠ ADVERTENCIA**

Lesiones o daños al equipo. No use el generador como un escalón. Hacerlo puede ocasionar caídas, piezas dañadas, funcionamiento inseguro del equipo, la muerte o lesiones graves. (000216)

**⚠ ADVERTENCIA**

Daños al equipo. No intente poner en marcha u operar una unidad que necesita reparación o mantenimiento programado. Hacerlo podría producir lesiones graves, la muerte o fallos o daños del equipo. (000291)

	<b>⚠ CAUTION</b>
	Hearing protection recommended.
	<b>PRECAUCIÓN</b>
	Se recomienda protección auditiva.
	<b>MISE EN GARDE</b>
	Protection auditive recommandée.

000406

- Por motivos de seguridad, se recomienda que el mantenimiento de este equipo sea efectuado por un Concesionario de servicio autorizado independiente (IASD). Inspeccione el generador con regularidad, y comuníquese con el IASD más cercano en relación con las piezas que necesitan reparación o sustitución.

## Peligros relacionados con el escape y la ubicación



**⚠ PELIGRO**

Asfisia. Los motores funcionando producen monóxido de carbono, un gas incoloro, inodoro, y venenoso. El monóxido de carbono, si no se evita, ocasionará la muerte o lesiones graves. (000103)



**⚠ PELIGRO**

El sistema de escape se debe mantener en forma apropiada. No altere ni modifique el sistema de arranque como para convertirlo en inseguro o que no cumplimentará los códigos y/o normas locales. No hacerlo ocasionará la muerte o lesiones graves. (000179a)

**⚠ ADVERTENCIA**

Daños a los equipos y la propiedad. No altere la construcción, instalación, o bloquee la ventilación para el generador. No hacer esto puede provocar el funcionamiento inseguro o dañar el generador. (000146)



**⚠ ADVERTENCIA**

Asfisia. En interiores, utilice siempre una alarma de monóxido de carbono alimentada por pilas e instalada de acuerdo con las instrucciones de los fabricantes. En caso de no hacerlo, podría provocarse la muerte o lesiones graves. (000178a)

- Si comienza a sentirse enfermo, mareado o débil después de que el generador ha estado funcionando, salga INMEDIATAMENTE al aire fresco. Consulte a un médico, ya que podría sufrir envenenamiento por monóxido de carbono.



## Peligros eléctricos



### ▲ PELIGRO

Electrocución. El contacto con cables, terminales, y conexiones desnudas mientras el generador está funcionando provocará la muerte o lesiones graves.

(000144)



### ▲ PELIGRO

Electrocución. Si no se evita el contacto del agua con una fuente de alimentación, ocasionará la muerte o lesiones graves.

(000104)



### ▲ PELIGRO

Electrocución. En caso de un accidente eléctrico, APAGUE de inmediato la alimentación eléctrica. Use implementos no conductores para liberar a la víctima del conductor alimentado. Aplique primeros auxilios y obtenga ayuda médica. No hacerlo ocasionará la muerte o lesiones graves.

(000145)

### ▲ ADVERTENCIA

Arranque accidental. Desconecte el cable negativo de la batería, luego el cable positivo de la batería cuando trabaje en la unidad. No hacerlo puede ocasionar la muerte o lesiones graves.

(000130)

- El Código eléctrico nacional (NEC) de EE. UU. requiere que el bastidor y las piezas conductoras de electricidad externas del generador estén correctamente conectados a una conexión a tierra aprobada. Los códigos de electricidad locales también pueden requerir la conexión a tierra apropiada del generador. Consulte con un electricista local los requisitos de conexión a tierra de su zona.
- Use un interruptor de circuito por fallo de conexión a tierra en todas las zonas húmedas o altamente conductoras (tales como zonas de trabajo con tarimas metálicas o estructuras de acero).

## Peligros de incendio



### ▲ PELIGRO

Explosión e incendio. El combustible y los vapores son extremadamente inflamables y explosivos. Añada combustible en una zona bien ventilada. Mantenga alejados el fuego y las chispas. No hacerlo puede ocasionar la muerte o lesiones graves.

(000105)



### ▲ PELIGRO

No llene en exceso el tanque de combustible. Llene hasta 1/2 in (13 mm) de la parte superior del tanque para permitir la expansión de combustible. Llenar en exceso puede motivar que se derrame en el motor causando fuego o explosión.

(000166)

### ▲ ADVERTENCIA

No inserte ningún objeto a través de las ranuras de aire de enfriamiento. El generador puede arrancar en cualquier momento y puede producir la muerte, lesiones graves y daños a la unidad.

(000142)



### ▲ ADVERTENCIA

Peligro de incendio. El combustible y los vapores son extremadamente inflamables. No lo haga funcionar en interiores. Hacerlo puede ocasionar la muerte, lesiones graves o daños a la propiedad o los equipos.

(000281)



### ▲ ADVERTENCIA

Peligro de explosión e incendio. No fume cerca de la unidad. Mantenga alejados el fuego y las chispas. No respetar esta recomendación puede ocasionar la muerte, lesiones graves o daños a la propiedad o los equipos.

(000282)



### ▲ ADVERTENCIA

Peligro de explosión e incendio. No fume mientras reabastece combustible en la unidad. No respetar esta recomendación puede ocasionar la muerte, lesiones graves o daños a la propiedad o los equipos.

(000284)

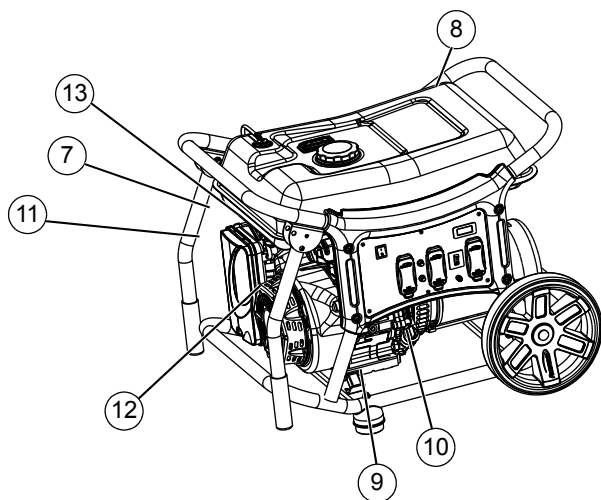
- Recoja y seque inmediatamente todos los derrames de combustible o aceite. Verifique que no queden materiales combustibles en el generador o cerca de este. Mantenga la zona alrededor del generador limpia y sin residuos, y deje un espacio libre de cinco (5) pies (1.5 m) en todos los costados a fin de permitir la ventilación apropiada del generador.
- No use el generador si los dispositivos eléctricos conectados se recalientan, si se pierde la salida eléctrica, si el motor o el generador producen chispas o si se observan llamas o humo mientras la unidad está funcionando.
- Mantenga un extintor de incendio cerca del generador en todo momento.

## Índice de normas

1. National Fire Protection Association (Asociación nacional de protección contra incendios [NFPA]) de EE. UU. 70: El CÓDIGO ELÉCTRICO NACIONAL (NEC) está disponible en [www.nfpa.org](http://www.nfpa.org)
2. National Fire Protection Association (Asociación nacional de protección contra incendios [NFPA]) de EE. UU. 5000: BUILDING CONSTRUCTION AND SAFETY CODE (Código de construcción y seguridad de edificios) disponible en [www.nfpa.org](http://www.nfpa.org)
3. International Building Code (Código de construcción internacional) disponible en [www.iccsafe.org](http://www.iccsafe.org)
4. Agricultural Wiring Handbook (Manual de cableado agrícola) disponible en [www.nerc.org](http://www.nerc.org). Rural Electricity Resource Council P.O. Box 309 Wilmington, OH 45177-0309, EE. UU.
5. ASAE EP-364.2 Installation and Maintenance of Farm Standby Electric Power (Instalación y mantenimiento de alimentación eléctrica rural de respaldo) disponible en [www.asabe.org](http://www.asabe.org). American Society of Agricultural & Biological Engineers 2950 Niles Road, St. Joseph, MI 49085, EE. UU.

Esta lista no es exhaustiva. Compruebe con la Autoridad que tiene jurisdicción (AHJ) todos los códigos o normas locales que podrían corresponder a su jurisdicción.

## Sección 2 Información general y configuración

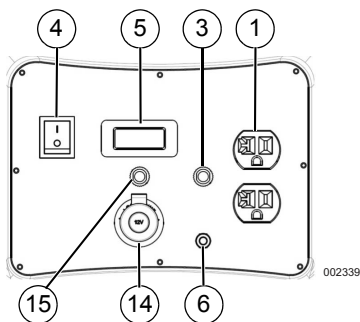


001593

Figura 2-1. Características y controles

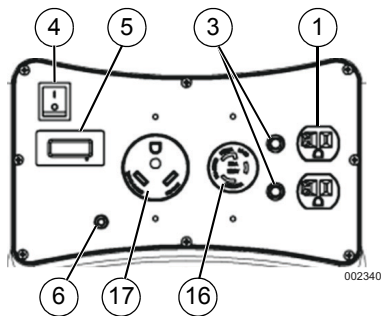
**TABLE 1. Componentes del generador**

- 1 Tomacorriente doble de 120 VCA, 20 A
- 2 Tomacorriente con bloqueo de 120/240 VCA, 30 A (NEMA L14-30R)
- 3 Disyuntores (CA)
- 4 Interruptor On/Off
- 5 Horómetro
- 6 Terminal de conexión a tierra
- 7 Palanca del cebador
- 8 Tanque de combustible
- 9 Vaciado de aceite
- 10 Llenado de aceite
- 11 Depurador de aire
- 12 Manija de la cuerda de arranque
- 13 Válvula de cierre de combustible
- 14 Cargador de baterías
- 15 Disyuntor (CC)
- 16 Tomacorriente con bloqueo de 120 VCA, 30 A (NEMA L5-30R)
- 17 Tomacorriente con bloqueo de 120 VCA, 30 A (NEMA TT-30R)
- 18 Disyuntor de 2 polos (CA)
- 19 Tomacorriente doble de 120 VCA, 20 A on GFCI (solo CX5500 CARB)



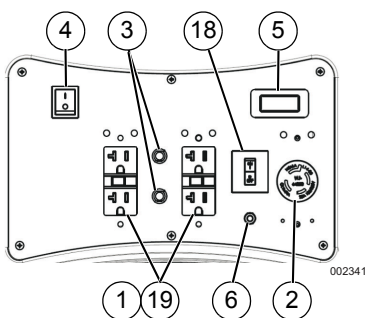
002339

Figura 2-2. Tablero de control CX1400



002340

Figura 2-3. Tablero de control CX3500 (CSA/CARB)



**Figura 2-4. Tablero de control CX5500 (CSA/CARB)**

Los manuales del propietario de repuesto están disponibles en [www.powermate.com](http://www.powermate.com).

## Emisiones

La Agencia de Protección Ambiental (EPA) de los EE. UU. (y la Junta de Recursos del Aire de California [CARB] para los motores/equipos certificados conforme a las normas de California) requiere(n) que este motor/equipo cumpla las normas para las emisiones de escape y evaporación. Ubique en el motor la etiqueta adhesiva sobre cumplimiento de las normas referidas a emisiones para determinar las normas aplicables. Para información sobre la garantía de emisiones, consulte la garantía de emisiones que se incluye. Es importante seguir las especificaciones de mantenimiento del manual para asegurar que el motor cumpla las normas de emisiones aplicables durante la vida útil del producto.

## Conozca su generador



**⚠ ADVERTENCIA**  
Consulte el manual. Lea y comprenda completamente el manual antes de usar el producto. No comprender completamente el manual puede provocar la muerte o lesiones graves.

(000100a)

## Especificaciones del producto

Especificaciones del generador	1400	3500	5500
Potencia nominal	1400 W	3500 W	5500 W
Potencia pico	1700 W	4375 W	6875 W
Voltaje nominal de CA	120	120	120/240
Carga nominal de CA (A)	11.7**	29.2**	45.8 / 22.9**
Frecuencia nominal	60 Hz con 3600 rpm	60 Hz con 3600 rpm	60 Hz con 3600 rpm
Fase	Monofásico	Monofásico	Monofásico
Peso de la unidad	60 lb (27,2 kg)	107 lb (48,5 kg)	173 lb (78,5 kg)

\*\* Intervalo de temperatura de funcionamiento: -18 °C (0 °F) a 40 °C (104 °F). Al funcionar a temperaturas mayores que 25 °C (77 °F) puede haber una disminución de potencia.

\*\* La corriente y el vataje y máximos están sujetos a y limitados por factores como el contenido de BTU del combustible, temperatura ambiente, altitud, condición del motor, etc. La potencia máxima disminuye aproximadamente 3.5% por cada 1000 ft (305 m) por encima del nivel del mar y también disminuirá aproximadamente 1% por cada 6 °C (10 °F) por encima de 16 °C (60 °F) de temperatura ambiente.

Especificaciones del motor	1400	3500	5500
Cilindrada	98 cm <sup>3</sup>	208 cm <sup>3</sup>	420 cm <sup>3</sup>
Núm. de pieza de la bujía	NGK BPR6HS o equivalente	NGK BPR7ES o equivalente	NGK BPR7ES o equivalente
Separación de electrodos de bujía	0.028-0.031 in (0.70-0.80 mm)	0.028-0.031 in (0.70-0.80 mm)	0.028-0.031 in (0.70-0.80 mm)
Capacidad de gasolina	5.7 l (1,5 gal. EE. UU.)	17 l (4,5 gal. EE. UU.)	26.5 l (7 gal. EE. UU.)
Tipo de aceite	Vea el cuadro en <b>Cómo añadir aceite de motor.</b>	Vea el cuadro en <b>Cómo añadir aceite de motor.</b>	Vea el cuadro en <b>Cómo añadir aceite de motor.</b>
Capacidad de aceite	0.4 l (0.4 qt.)	0.6 l (0.6 qt.)	1.0 l (1.0 qt.)
Tiempo de funcionamiento con 50% de carga	9,5 horas	12 horas	12,5 horas

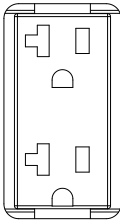
\* Vaya a [www.powermate.com](http://www.powermate.com) o comuníquese con un IASD para las piezas de repuesto.

## Enchufes de conexión

### Tomacorriente doble de 120 VCA, 20 A

El tomacorriente de 120 V está protegido contra sobrecargas por un disyuntor de pulsar para reconectar de 20 A. Vea la [Figura 2-5](#). Cada tomacorriente alimentará cargas eléctricas de 120 VCA, monofásicas, de 60 Hz, que requieran una corriente combinada de hasta 2400 W (2.4 kW) o 20 A de corriente. Use únicamente juegos de cordones de conexión de 3 conductores con conexión a tierra, de alta calidad y bien aislados, con una capacidad nominal de 125 V con 20 A (o mayor).

**NOTA:** Limite el largo de los cordones de extensión a 15 ft (4.5 m) o menos, para evitar caídas de voltaje y recalentamiento de los alambres.



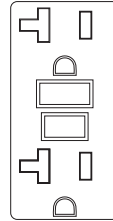
000424

**Figura 2-5. Tomacorriente doble de 120 VCA, 20 A NEMA 5-20R**

### Tomacorriente doble con GFCI (si tiene) de 120 VCA, 20 A

El tomacorriente de 120 V está protegido contra sobrecargas por un disyuntor de pulsar para reconectar de 20 A. Vea la [Figura 2-6](#). Cada tomacorriente alimentará cargas eléctricas de 120 VCA, monofásicas, de 60 Hz, que requieran una corriente combinada de hasta 2400 W (2.4 kW) o 20 A de corriente. Use únicamente juegos de cordones de conexión de 3 conductores con conexión a tierra, de alta calidad y bien aislados, con una capacidad nominal de 125 V con 20 A (o mayor). También proporcionan protección con un interruptor de circuito por fallo de conexión a tierra, con un botón de pulsar de PRUEBA y RECONEXIÓN.

**NOTA:** Limite el largo de los cordones de extensión a 15 ft (4.5 m) o menos, para evitar caídas de voltaje y recalentamiento de los alambres.



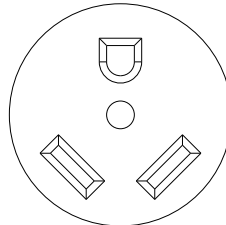
000203

**Figura 2-6. Tomacorriente doble con GFCI de 120 VCA, 20 A NEMA 5-20R**

### Tomacorriente de 120 VCA, 30 A

Use un enchufe macho NEMA TT-30R con este tomacorriente. Conecte un juego de cordón de conexión de 3 conductores con conexión a tierra adecuada para el enchufe y la carga deseados. El juego de cordón de conexión debe tener capacidad nominal para 125 VCA con 30 A (o mayor). Vea la [Figura 2-7](#).

Use este tomacorriente para alimentar cargas de 120 VCA, monofásicas, de 60 Hz que requieran hasta 3600 W (3.6 kW) de potencia con 30 A. El tomacorriente está protegido por un disyuntor de pulsar para reconectar de 30 A.



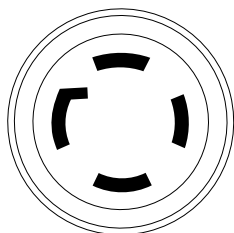
002226

**Figura 2-7. Tomacorriente con bloqueo de 120 VCA, 30 A (NEMA TT-30R)**

### Tomacorriente de 120/240 VCA, 30 A

Use un enchufe NEMA L14-30 con este tomacorriente (de girar para bloquear/desbloquear). Conecte un juego de cordón de conexión de 4 conductores con conexión a tierra adecuada para el enchufe y la carga deseados. El juego de cordón de conexión debe tener capacidad nominal para 250 VCA con 30 A (o mayor). Vea la [Figura 2-8](#).

Use este tomacorriente para alimentar cargas de 120 VCA, monofásicas, de 60 Hz que requieran hasta 2760 W (2.7 kW) de potencia con 23 A o cargas de 240 VCA, monofásicas, de 60 Hz que requieran hasta 5520 W (5.5 kW) de potencia con 23 A. El tomacorriente está protegido por un disyuntor de botón de pulsar para reconectar de 2 polos, 23 A, de tipo basculante.



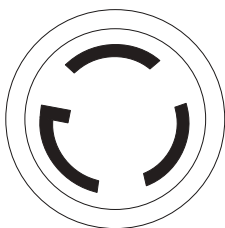
000204

**Figura 2-8. Tomacorriente de 120/240 VCA, 30 A NEMA L14-30R**

### Tomacorriente de 110/120 VCA, 30 A

Use un enchufe NEMA L5-30 con este tomacorriente (de girar para bloquear/desbloquear). Conecte un juego de cordón de conexión de 3 conductores con conexión a tierra adecuada para el enchufe y la carga deseados. El juego de cordón de conexión debe tener capacidad nominal para 125 VCA con 30 A (o mayor). Vea la [Figura 2-9](#).

Use este tomacorriente para alimentar cargas de 120 VCA, monofásicas, de 60 Hz que requieran hasta 3600 W (3.6 kW) de potencia con 30 A. El tomacorriente está protegido por un disyuntor de pulsar para reconectar de 30 A.



000844

**Figura 2-9. Tomacorriente de 120 VCA, 30 A NEMA L5-30**

### Retiro del contenido de la caja

1. Abra la caja completamente cortando cada esquina de arriba abajo.
2. Retire y verifique el contenido de la caja antes del armado. El contenido de la caja debe ser el siguiente:

### TABLE 2. Accesorios

Ítem - Todos los modelos	Cant.
Unidad principal	1
Manual del propietario	1
Litro de aceite SAE	1
Embudo para aceite	1
<b>Bolsa de tornillería - CX1400</b>	
Llave para bujías con varilla	1
Juego de cables de batería	1

<b>Bolsa de tornillería - CX3500</b>	
Rueda (1)	2
Pasador del eje (2)	2
Pasador hendido (3)	2
Separador del pie (4)	2
Pie de caucho (5)	2
Arandela plana M10 x 4 mm (6)	2
Perno M6 x 25 (7)	2
Perno M8 x 65 (8)	2
Tuerca de Nylock M68 (9)	2

<b>Bolsa de tornillería - CX5500</b>	
Rueda (1)	2
Asa y soporte de asa (2)	2
Pasador del eje (3)	2
Pasador hendido (4)	2
Separador del pie (5)	2
Pie de caucho (6)	2
Arandela plana M12 x 4 mm (7)	2
Arandela plana M12 x 1.5 mm (8)	2
Arandela plana M8 (9)	2
Perno M8 x 50 (10)	2
Perno M8 x 80 (11)	2
Tuerca de Nylock M8 (12)	4
Empuñadura del asa (13)	2

<b>Kit de herramientas</b>	
Llave hexagonal de 5 mm	1
Llave de 10 x 13 mm	1
Llave para bujías con varilla	1

3. Llame al Servicio al cliente de Powermate al 1-800-445-1805 con el número de modelo y número de serie de la unidad para cualquier contenido faltante de la caja.
4. Registre el modelo, el número de serie y la fecha de compra en la tapa de este manual.

### Armado



#### **ADVERTENCIA**

Consulte el manual. Lea y comprenda completamente el manual antes de usar el producto. No comprender completamente el manual puede provocar la muerte o lesiones graves.

(000100a)

Llame al Servicio al cliente de Powermate 1-800-445-1805 por cualquier problema o inquietud con el armado. Tenga disponible a mano el modelo y el número de serie.

Las siguientes herramientas son necesarias para instalar el kit de accesorios.

- Vea la [Tabla 2: Accesorios](#) (Kit de herramientas)

**NOTA:** Las ruedas no están destinadas para usar en caminos.

## CX3500

Vea la [Figura 2-11](#).

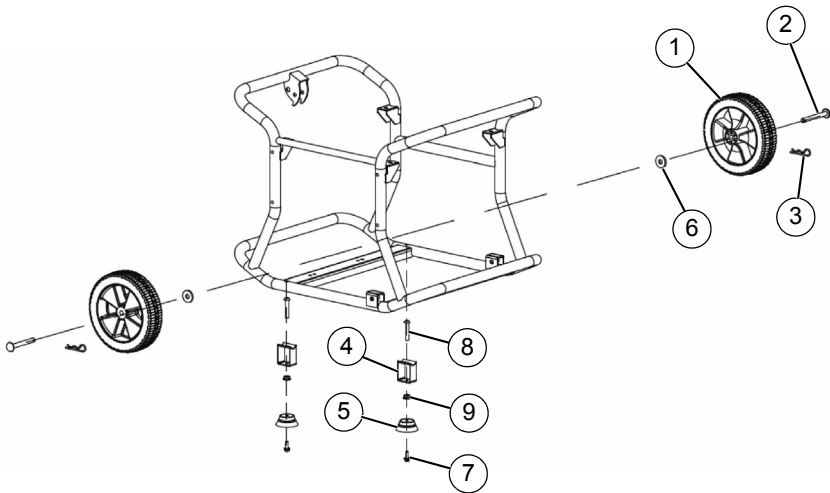
Instale las ruedas como sigue:

1. Deslice el pasador del eje (2) a través de la rueda (1), arandela plana M102 x 4 mm (6), y bastidor.
2. Inserte un pasador hendido (3) a través del eje (2D). Doble las aletas (de los

pasadores hendidos) hacia afuera para bloquearlos en su lugar.

Instale el conjunto de pie del bastidor como sigue:

1. Deslice pie de caucho (5), la arandela plana M6 (9) y separador del pie (4) en el perno M6 x 25 (7).
2. Alineelo a través de los agujeros en el riel del bastidor y fije con un perno M8 x 65 (8).



002346

**Figura 2-10. Conjunto de rueda y pie (CX3500)**

## CX5500

Vea la [Figura 2-11](#).

Instale las ruedas como sigue:

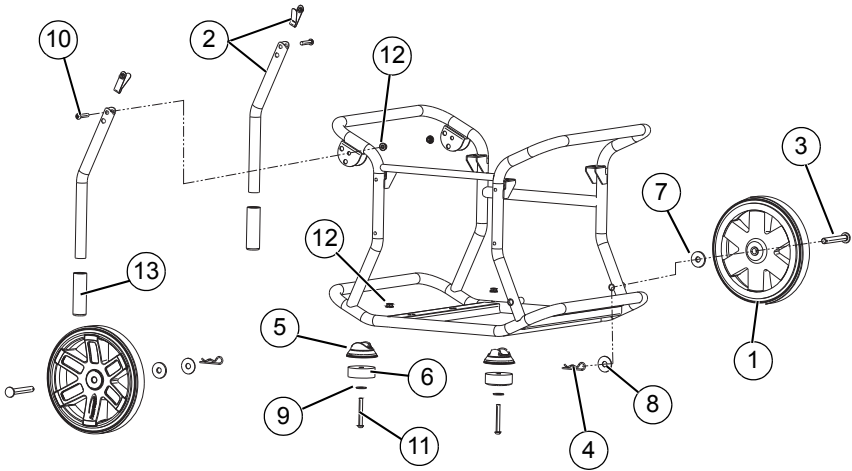
1. Deslice el pasador del eje (3) a través de la rueda (1), arandela plana M12 x 4 mm (7), y bastidor.
2. Instale la arandela plana M12 x 4 mm (7) e inserte el pasador hendido (4) a través del eje (3). Doble las aletas (de los pasadores hendidos) hacia afuera para bloquearlos en su lugar.

Instale el conjunto de pie del bastidor como sigue:

1. Deslice la arandela plana M8 (9), pie de caucho (6), separador del pie (5) en el perno M8 x 80 (10).
2. Alineelo a través de los agujeros en el riel del bastidor y fije con una tuerca Nylock M8 (12).

Instale el asa como sigue:

1. Deslice los pernos M8 x 50 (10) a través del soporte del asa y el asa (2). Fíjelos con tuerca Nylock M8 (12).



001592

**Figura 2-11. Armado de rueda, bastidor y pie (CX5500)**

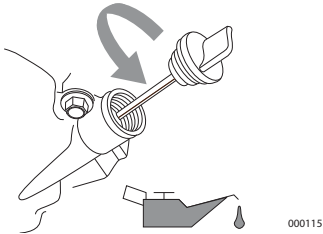
## Cómo añadir aceite de motor

### ⚠ PRECAUCIÓN

Daño al motor. Verifique el tipo y la cantidad apropiados del aceite del motor antes de poner en marcha el motor. No hacer esto puede provocar daños al motor.

(000135)

1. Coloque el generador en una superficie nivelada.
2. Verifique que la zona de llenado esté limpia.
3. Retire la tapa de llenado de aceite y limpie la varilla de medición. Vea la [Figura 2-12](#).

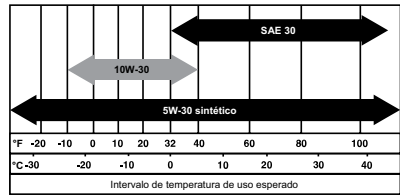


000115

**Figura 2-12. Retire la varilla de medición**

4. Añada el aceite de motor recomendado. El clima determina la viscosidad apropiada del aceite de motor. Vea el cuadro para seleccionar la viscosidad correcta.

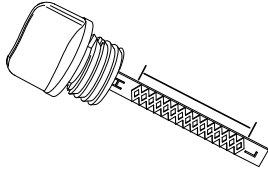
**NOTA:** Use aceite mineral con base de petróleo (suministrado) para el rodaje del motor antes de usar aceite sintético.



000399

**NOTA:** Algunas unidades tienen más de una ubicación de llenado de aceite. Solo es necesario usar uno de los puntos de llenado de aceite.

5. Enrosque la varilla de medición dentro de la garganta de llenado. El nivel de aceite se comprueba con la varilla de medición completamente instalada.
6. Vea la [Figura 2-13](#). Retire la varilla de medición y verifique si el nivel de aceite está dentro del intervalo de funcionamiento seguro.



000116

**Figura 2-13. Intervalo de funcionamiento seguro**

7. Instale la tapa de llenado/varilla de medición y apriete con la mano.

## Combustible



### ▲ PELIGRO

Explosión e incendio. El combustible y los vapores son extremadamente inflamables y explosivos. Añada combustible en una zona bien ventilada. Mantenga alejados el fuego y las chispas. No hacerlo puede ocasionar la muerte o lesiones graves. (000105)

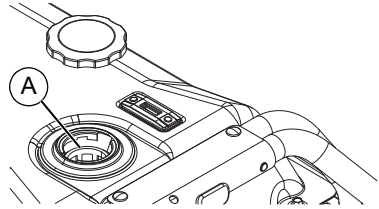


### ▲ PELIGRO

No llene en exceso el tanque de combustible. Llene hasta 1/2 in (13 mm) de la parte superior del tanque para permitir la expansión de combustible. Llenar en exceso puede provocar que se derrame en el motor causando fuego o explosión. (000166)

Los requisitos para el combustible son como sigue:

- Gasolina limpia, fresca y sin plomo.
  - Mínimo nominal 87 octanos/87 AKI (91 RON).
  - Es aceptable hasta 10% de etanol (gasohol) (donde haya disponible, se recomienda combustible de grado superior sin etanol).
  - NO use E85.
  - NO use una mezcla de gasoil.
  - NO modifique el motor para funcionar con combustibles de alternativa. Establezca el combustible antes del almacenamiento.
1. Verifique que la unidad esté APAGADA y que se enfríe durante un mínimo de dos minutos antes de reabastecer combustible.
  2. Coloque la unidad en terreno nivelado en una zona bien ventilada.
  3. Limpie la zona alrededor de la tapa de combustible y retire la tapa lentamente.
  4. Añada lentamente el combustible recomendado. No llene arriba del indicador de combustible rojo (A). Vea la [Figura 2-14](#).
  5. Instale la tapa de combustible.



000206

**Figura 2-14. Cómo añadir el combustible recomendado**

**NOTA:** Permita que el combustible derramado se evapore antes de poner en marcha la unidad.

**NOTA IMPORTANTE:** Es importante evitar la formación de depósitos de goma en las piezas del sistema de combustible como el carburador, la manguera o el tanque de combustible durante el almacenamiento. Los combustibles mezclados con alcohol (llamados gasohol, etanol o metanol) pueden atraer humedad, lo que ocasiona la separación y la formación de ácidos durante el almacenamiento. El gas ácido puede dañar el sistema de combustible de un motor durante el almacenamiento. Para evitar problemas del motor, el sistema de combustible debe vaciarse antes de almacenarlo durante 30 días o más. Vea la sección [Almacenamiento](#). Nunca use productos de limpieza de motor o carburador en el tanque de combustible ya que pueden ocasionar daños permanentes.



## Sección 3 Operación

### Preguntas sobre operación y uso

Llame al Servicio al cliente de Powermate al 1-800-445-1805 con las preguntas o inquietudes acerca de la operación y mantenimiento del equipo.

### Antes de poner en marcha el motor

1. Verifique si el nivel de aceite de motor es correcto.
2. Verifique si el nivel de combustible es correcto.
3. Verifique si la unidad está fija sobre terreno nivelado, con separación adecuada y en una zona bien ventilada.

### Preparación del generador para el uso



#### PELIGRO

Asfixia. Los motores funcionando producen monóxido de carbono, un gas incoloro, inodoro, y venenoso. El monóxido de carbono, si no se evita, ocasionará la muerte o lesiones graves.

(000103)



#### PELIGRO

El sistema de escape se debe mantener en forma apropiada. No altere ni modifique el sistema de arranque como para convertirlo en inseguro o que no cumpla los códigos y/o normas locales. No hacerlo ocasionará la muerte o lesiones graves.

(000179a)



#### ADVERTENCIA

Riesgo de incendio. No use el generador sin el supresor de chispas. No hacerlo puede ocasionar la muerte o lesiones graves.

(000118a)



#### ADVERTENCIA

Asfixia. En interiores, utilice siempre una alarma de monóxido de carbono alimentada por pilas e instalada de acuerdo con las instrucciones de los fabricantes. En caso de no hacerlo, podría provocarse la muerte o lesiones graves.

(000178a)



#### ADVERTENCIA

Riesgo de incendio. Las superficies calientes pueden encender combustibles, produciendo un incendio. El incendio puede ocasionar la muerte o lesiones graves.

(000110)



#### ADVERTENCIA

Superficies calientes. Al usar la máquina, no toque las superficies calientes. Mantenga la máquina alejada de los combustibles durante el uso. Las superficies calientes pueden ocasionar quemaduras graves o incendio.

(000108)

#### PRECAUCIÓN

Daños a los equipos y la propiedad. Desconecte las cargas eléctricas antes de poner en marcha o parar la unidad. No hacer esto puede provocar daños al equipo y la propiedad.

(000136)

### Conexión a tierra del generador cuando está en uso

El generador tiene un terminal para un sistema de electrodo de conexión a tierra. El artículo 250.34 (A) del Código eléctrico nacional (NEC) de EE. UU. no requiere que el bastidor del generador esté conectado a un sistema de electrodo de conexión a tierra cuando el generador suministra alimentación únicamente a equipos conectados con cordón y enchufe a los tomacorrientes del generador.

Cuando el generador suministra alimentación a un interruptor de transferencia tripolar manual o a tableros de distribución para alimentación temporal, se debe instalar y conectar un sistema de electrodo de conexión a tierra al terminal de conexión a tierra del generador. Vea los artículos 250.30, 250.34 y 250.52 del NEC para aclarar este tema. Vea la **Figura 3-1**.

- Neutro conectado al bastidor

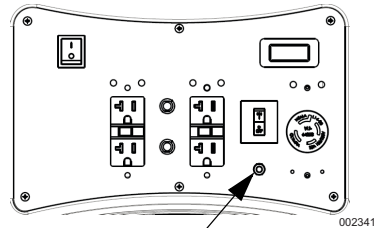


Figura 3-1. Conexión a tierra del generador

### Requisitos especiales

Revise todos los reglamentos federales o estatales de la Administración de Seguridad y Salud Ocupacional (OSHA) de los EE. UU., códigos u ordenanzas locales que correspondan al uso previsto del generador.

Consulte a un electricista cualificado, inspector de electricidad o al organismo local que tenga jurisdicción:

- En algunas zonas, se requiere el registro de los generadores en las compañías de servicios públicos locales.
- Si el generador se usa en un sitio de construcción, puede ser necesario cumplir reglamentos adicionales.

### Conexión del generador al sistema eléctrico de un edificio

Al conectarlo directamente al sistema eléctrico de un edificio, se recomienda usar un interruptor de transferencia manual. Las conexiones de un generador portátil al sistema eléctrico de un edificio deben ser efectuadas por un electricista cualificado y cumpliendo estrictamente todos los códigos y leyes nacionales y locales sobre electricidad.

## Conozca los límites del generador

Sobrecargar un generador puede ocasionar daños al generador y a los dispositivos eléctricos conectados. Observe lo siguiente para evitar sobrecargas:

- Sume el vataje total de todos los dispositivos eléctricos a ser conectados a la vez. Este total NO debe ser mayor a la capacidad de vataje del generador.
  - Los vatios nominales de las luces pueden ser tomados de las bombillas de luz. Los vatios nominales de las herramientas, artefactos y motores se pueden encontrar en la etiqueta de datos adherida al dispositivo.
  - Si el artefacto, herramienta o motor no indica la potencia, multiplique los voltios por amperios nominales para determinar los vatios ( $V \times A = W$ ).
  - Algunos motores eléctricos, como los de tipo inducción, requieren alrededor de tres veces más vatios de potencia para la puesta en marcha que para el funcionamiento. Este pico de potencia dura solo unos pocos segundos al ponerse en marcha estos motores. Asegúrese de contar con alto vataje para la puesta en marcha cuando seleccione dispositivos eléctricos para conectar al generador:
1. Calcule los vatios requeridos para poner en marcha el motor más grande.
  2. Sume a esa cifra los vatios de consumo en funcionamiento de todas las otras cargas conectadas.

La guía de referencia de vataje se provee para asistir en la determinación de cuántos elementos puede accionar el generador a la vez.

**NOTA:** Todas las cifras son aproximadas. Vea la etiqueta de datos en el artefacto para conocer los requisitos de potencia en vatios.

**Table 3. Guía de referencia de potencia en vatios**

Dispositivo	Vatios funcionando
*Acondicionador de aire (12 000 BTU)	1700
*Acondicionador de aire (24 000 BTU)	3800
*Acondicionador de aire (40 000 BTU)	6000
Cargador de baterías (20 A)	500
Lijadora de banda (3 in [7.72 cm])	1000
Motosierra	1200
Sierra circular (6.5 in [16.51 cm])	800 a 1000
*Secarropas (eléctrico)	5750
*Secarropas (gas)	700
*Lavarropas	1150
Cafetera	1750
*Compresor (1 HP)	2000
*Compresor (3/4 HP)	1800

*Compresor (1/2 HP)	1400
Rizador de pelo	700
*Deshumidificador	650
Lijadora de disco (9 in [22.86 cm])	1200
Bordeadora	500
Manta eléctrica	400
Pistola de clavar eléctrica	1200
Cocina eléctrica (por elemento)	1500
Sartén eléctrica	1250
*Congelador	700
*Ventilador de horno (3/5 HP)	875
*Abridor de puerta de garaje	500 a 750
Secador de pelo	1200
Taladro de mano	250 a 1100
Podadora de cerco	450
Llave de impacto	500
Plancha	1200
*Bomba de chorro	800
Cortadora de césped	1200
Bombilla	100
Horno de microondas	700 a 1000
*Refrigerador de leche	1100
Quegador de gasoil en horno	300
Estufa de gasoil (140 000 BTU)	400
Estufa de gasoil (85 000 BTU)	225
Estufa de gasoil (30 000 BTU)	150
*Pulverizador de pintura, sin aire (1/3 HP)	600
Pulverizadora de pintura (de mano)	150
Radio	50 a 200
*Refrigerador	700
Olla de cocción lenta	200
*Bomba sumergible (1-1/2 HP)	2800
*Bomba sumergible (1 HP)	2000
*Bomba sumergible (1/2 HP)	1500
*Bomba de sumidero	800 a 1050
*Sierra de banco (10 in)	1750 a 2000
Televisor	200 a 500
Tostadora	1000 a 1650
Recortador de maleza	500
* Suministre 3 veces el vataje indicado para la puesta en marcha de estos dispositivos.	

## Transporte e inclinación de la unidad

No accione, almacene o transporte la unidad con un ángulo mayor que 15 grados.

## Puesta en marcha de motores con arranque con tirador



### ⚠️ ADVERTENCIA

Riesgo del arranque con cuerda. El arranque con cuerda puede reaccionar inesperadamente. El contragolpe puede ocasionar la muerte o lesiones graves.

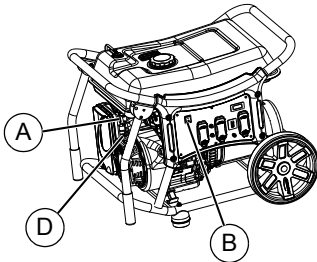
(000183)

### ⚠️ PRECAUCIÓN

Daños a los equipos y la propiedad. Desconecte las cargas eléctricas antes de poner en marcha o parar la unidad. No hacer esto puede provocar daños al equipo y la propiedad.

(000136)

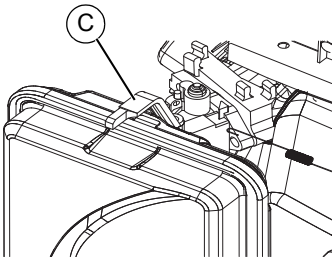
1. Desconecte todas las cargas eléctricas de los tomacorrientes de la unidad antes de poner en marcha el motor.
2. Coloque el generador en una superficie nivelada.
3. Vea la **Figura 3-2**. Abra la válvula de cierre de combustible (A).
4. Ajuste el interruptor ON/OFF del motor (B) en la posición ON. Vea la **Figura 3-2**.



001593

**Figura 3-2. Controles del motor**

5. Deslice el cebador del motor (C) a la posición de CEBADO máximo (izquierda). Vea la **Figura 3-3**.



000209

**Figura 3-3. Posición del cebador**

6. Vea la **Figura 3-2**. Sujete firmemente la manija de la cuerda de arranque (D) y tire lentamente hasta sentir una resistencia mayor. Tire rápidamente hacia arriba y afuera.

7. Cuando el motor se ponga en marcha, mueva la palanca del cebador a la posición de CEBADO MEDIO hasta que el motor funcione suavemente y luego completamente hasta la posición ON. Si el motor falla intermitentemente, mueva el cebador nuevamente a la posición de CEBADO MEDIO hasta que el motor funcione suavemente y luego a la posición FUNCIONAMIENTO.

**NOTA:** Si el motor hace explosiones, pero no sigue funcionando, mueva la palanca del cebador a CEBADO máximo y repita las instrucciones de puesta en marcha.

**NOTA IMPORTANTE:** No sobrecargue el generador o los tomacorrientes individuales del tablero. Estas salidas están protegidas contra sobrecargas con disyuntores tipo pulsar para reconectar. Si se excede el amperaje nominal de algún disyuntor, ese disyuntor se abre y se pierde la salida eléctrica a ese tomacorriente. Lea atentamente **Conozca los límites del generador**.

## Parada del generador

### ⚠️ PRECAUCIÓN

Daños a los equipos y la propiedad. Desconecte las cargas eléctricas antes de poner en marcha o parar la unidad. No hacer esto puede provocar daños al equipo y la propiedad.

(000136)

1. Apague todas las cargas y desenchufe las cargas eléctricas de los tomacorrientes del tablero del generador.
2. Deje que el motor funcione sin carga durante varios minutos para estabilizar las temperaturas internas del motor y el generador.
3. Mueva el conmutador ON/OFF a la posición OFF.
4. Cierre la válvula de combustible.

**NOTA:** Bajo condiciones normales, cierre la válvula de combustible y permita que el generador funcione hasta agotar el combustible de la cámara del carburador. Para las emergencias, conmute a OFF.

## Sistema de parada por bajo nivel de aceite

El motor tiene un sensor de nivel de aceite bajo que para el motor automáticamente cuando el nivel cae por debajo de un nivel especificado. El motor no funcionará hasta que el aceite se haya llenado al nivel apropiado.

Si el motor se para y hay suficiente combustible, compruebe el nivel de aceite de motor.

## Sección 4 Mantenimiento y resolución de problemas

### Mantenimiento

El mantenimiento regular mejorará el rendimiento y prolongará la vida útil del motor/equipo. El fabricante recomienda que todo el trabajo de mantenimiento sea efectuado por un Concesionario de servicio autorizado independiente (IASD). El mantenimiento regular, sustitución o reparación de los dispositivos y sistemas de control de emisiones puede ser efectuado por cualquier taller de reparaciones o mecánico elegido por el propietario. Sin embargo, para obtener servicio de garantía gratuito, el trabajo debe ser efectuado por un IASD. Vea la garantía de emisiones.

**NOTA:** Llame a Servicio al cliente de Powermate al 1-800-445-1805 con las preguntas acerca de la sustitución de componentes.

### Programa de mantenimiento

Respete los intervalos de mantenimiento programado, el que ocurra primero acorde al uso.

**NOTA:** Las condiciones adversas pueden requerir mantenimiento más frecuente.

**NOTA:** Todo el mantenimiento y los ajustes requeridos deben efectuarse en cada estación como se detalla en el cuadro siguiente.

En cada uso
Comprobación del nivel de aceite de motor
Cada 100 horas o cada estación*
Cambio del aceite †
Sustituya el filtro de combustible
En cada estación
Sustituya la bujía
Compruebe la luz de válvulas***
Cada 200 horas o cada estación
Inspeccione/limpie el filtro del depurador de aire**
† Cambie el aceite después de las primeras 30 horas de funcionamiento, luego en cada estación.
* Cambie el aceite y sustituya el filtro de aceite cada mes cuando funcione bajo carga pesada o altas temperaturas.
** Limpie más frecuentemente en condiciones de funcionamiento con suciedad o polvo. Sustituya las piezas del filtro de aire si no se pueden limpiar adecuadamente.
*** Compruebe la luz de válvulas y ajuste si es necesario luego de las primeras 50 horas de funcionamiento y cada 100 horas de allí en adelante.

### Mantenimiento preventivo

La suciedad o los residuos pueden causar funcionamiento incorrecto y daños al equipo. Limpie el generador diariamente o antes de cada uso. Mantenga la zona alrededor y detrás del silenciador sin residuos de combustible. Inspeccione todas las aberturas de aire de enfriamiento en el generador.

#### ADVERTENCIA

No inserte ningún objeto a través de las ranuras de aire de enfriamiento. El generador puede arrancar en cualquier momento y puede producir la muerte, lesiones graves y daños a la unidad.

(000142)

- Use un paño húmedo para limpiar las superficies exteriores.
- Use un cepillo de cerdas suaves para aflojar la suciedad, aceite, etc. compactada.
- Use una aspiradora para recoger la suciedad y residuos sueltos.
- Se puede usar aire a baja presión (que no exceda 25 psi) para soplar la tierra. Inspeccione las ranuras de aire de enfriamiento y las aberturas del generador. Estas aberturas deben mantenerse limpias y sin obstrucciones.

**NOTA:** NO use una manguera de jardín para limpiar el generador. Puede entrar agua en el sistema de combustible del motor y causar problemas. Si entra agua en el generador a través de las ranuras de aire de enfriamiento, parte del agua será retenida en los vacíos y hendiduras del aislamiento del devanado del rotor y estator. La acumulación de agua y tierra en los devanados internos del generador disminuirá la resistencia del aislamiento de los devanados.

### Mantenimiento del motor

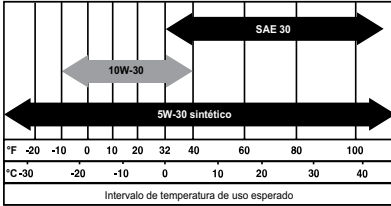
#### ADVERTENCIA

Arranque accidental. Desconecte los cables de las bujías al trabajar en la unidad. No hacerlo puede ocasionar la muerte o lesiones graves.

(000141)

### Recomendaciones para aceite de motor

Para mantener la garantía del producto, el aceite de motor se debe mantener conforme a las recomendaciones de este manual. Para su comodidad, hay disponibles kits de mantenimiento para usar en este producto que incluyen aceite de motor, filtro de aceite, bujía(s), una toalla de taller y embudo. Estos kits se pueden obtener de un Concesionario de servicio autorizado independiente (IASD).



000399

## Inspección del nivel de aceite de motor

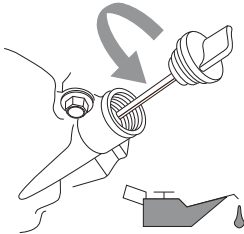
### ⚠ ADVERTENCIA

Riesgo de quemaduras. Espere a que el motor se enfríe antes de vaciar el aceite o el refrigerante. No hacerlo puede ocasionar la muerte o lesiones graves.

(000139)

Inspeccione el nivel de aceite de motor antes de cada uso, o cada 8 horas de funcionamiento.

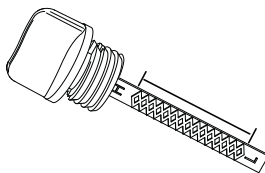
1. Coloque el generador en una superficie nivelada.
2. Limpie la zona alrededor de la abertura de llenado de aceite.
3. Vea la Figura 4-1. Retire la tapa de llenado de aceite y limpie la varilla de medición secándola.



000115

**Figura 4-1. Llenado de aceite de motor**

4. Enrosque la varilla de medición dentro de la garganta de llenado. Retire la varilla de medición y verifique si el nivel de aceite está dentro del intervalo de funcionamiento seguro. Vea la [Figura 4-2](#).



000116

**Figura 4-2. Intervalo de funcionamiento seguro**

5. Añada el aceite de motor recomendado como sea necesario.
6. Instale la tapa de llenado y apriete con la mano.

**NOTA:** Algunas unidades tienen más de una ubicación de llenado de aceite. Solo es necesario usar uno de los puntos de llenado de aceite.

## Cambio de aceite de motor

### ⚠ ADVERTENCIA

Arranque accidental. Desconecte los cables de las bujías al trabajar en la unidad. No hacerlo puede ocasionar la muerte o lesiones graves.

(000141)

Quando utiliza el generador en condiciones extremas de suciedad o polvo, o en clima extremadamente caluroso, cambie el aceite más frecuentemente.

**NOTA:** No contamine. Conserve los recursos. Devuelva el aceite usado a los centros de recolección.

Cambie el aceite mientras el motor aún está caliente del funcionamiento, como sigue:

1. Coloque el generador en una superficie nivelada.
2. Desconecte el cable de bujía de la bujía y coloque el cable donde no pueda hacer contacto con la bujía.
3. Limpie la zona alrededor de la abertura de llenado de aceite y del tapón de vaciado de aceite.
4. Retire la tapa de llenado de aceite.
5. Retire el tapón de vaciado de aceite y vacíe el aceite completamente en un recipiente adecuado.
6. Instale el tapón de vaciado de aceite y apriételo con seguridad.
7. Vierta el aceite lentamente en la abertura de llenado de aceite hasta que el nivel de aceite esté dentro de la zona de funcionamiento seguro. NO llene en exceso.
8. Instale la tapa de llenado y apriete con la mano.
9. Seque el aceite que pueda haberse derramado.
10. Deseche apropiadamente el aceite conforme a todos los reglamentos correspondientes.

## Filtro de aire

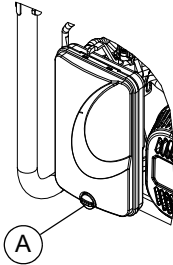
El motor no funcionará correctamente y se puede dañar si lo usa con un filtro de aire sucio. Efectúe el servicio del filtro de aire más frecuentemente en condiciones de suciedad o polvo.

Para efectuar el servicio del filtro de aire:

1. Vea la [Figura 4-3](#). Gire la perilla (A) y retire la cubierta del filtro de aire.

2. Lave en agua jabonosa. Estruje el filtro suavemente para secarlo con un paño limpio (NO LO RETUERZA).
3. Limpie la cubierta del filtro de aire antes de volver a instalarla.

**NOTA:** Para pedir un filtro de aire nuevo, comuníquese con el centro de servicio autorizado más cercano llamando al 1-888-436-3722.



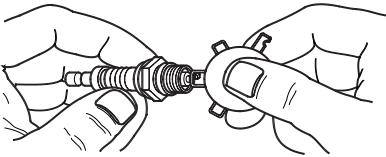
000379

**Figura 4-3. Conjunto del filtro de aire**

### Mantenimiento de la bujía

Para efectuar el mantenimiento de la bujía:

1. Limpie la zona alrededor de la bujía.
2. Retire e inspeccione la bujía.
3. Inspeccione la separación de electrodos con un calibre de espesores de alambre y, vuelva a ajustar la separación de la bujía a 0.028-0.031 in (0.7-0.8 mm). Vea la **Figura 4-4**.



000211

**Figura 4-4. Bujía**

**NOTA:** Sustituya la bujía si los electrodos están picados, quemados o la porcelana está rajada. Use ÚNICAMENTE la bujía de repuesto recomendada. Vea las Especificaciones.

4. Instale la bujía apretando con la mano y apriete 3/8 a 1/2 vuelta adicional usando una llave para bujías.

### Inspección del silenciador y supresor de chispas

**NOTA:** Es una violación al California Public Resources Code (Código de recursos públicos de California), Sección 4442, usar u operar el motor en tierras cubiertas de bosque, maleza o pasto excepto si el sistema de escape tiene un

supresor de chispas, como se define en la Sección 4442, mantenido en condiciones de trabajo eficaces. Otros estados o jurisdicciones federales pueden tener leyes similares.

Tome contacto con el fabricante, minorista o concesionario de equipo original para obtener un supresor de chispas diseñado para el sistema de escape instalado en este motor.

**NOTA:** Use ÚNICAMENTE piezas de repuesto de equipo original.

Inspeccione el silenciador en busca de rajaduras, corrosión u otros daños. Retire el supresor de chispas, si tiene, e inspeccione en busca de daños o bloqueo con carbón. Sustituya piezas como se requiera.

### Inspeccione el tamiz del supresor de chispas (modelos CARB)

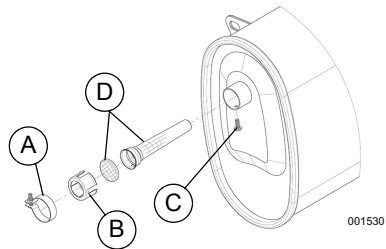


#### ADVERTENCIA

Superficies calientes. Al usar la máquina, no toque las superficies calientes. Mantenga la máquina alejada de los combustibles durante el uso. Las superficies calientes pueden ocasionar quemaduras graves o incendio.

(000108)

1. Vea la **Figura 4-5**. Afloje el tornillo y retire la abrazadera del retenedor (A) y el retenedor (B).
2. Retire el tornillo del retenedor (C) del tubo de salida del silenciador.
3. Retire el tamiz (D) y sustitúyalo si está desgarrado, perforado o dañado de alguna otra forma. Si el tamiz no está dañado, límpielo con solvente comercial.
4. Vuelva a colocar los tamices y el retenedor y fíjelos con el tornillo.
5. Instale la abrazadera.



001530

**Figura 4-5. Tamiz del supresor de chispas**

### Luz de válvulas

**NOTA IMPORTANTE:** Si está incómodo haciendo este procedimiento o si no dispone de las herramientas adecuadas, lleve el generador al centro de servicio más cercano para ajustar la luz de válvulas.

Compruebe la luz de válvulas después de las primeras quince horas de funcionamiento. Ajuste como sea necesario.

- Admisión — 0.1 mm ± 0.02 mm (frío), (0.004 in ± 0.001 in)
- Escape — 0.15 mm ± 0.02 mm (frío) (0.006 in ± 0.001 in)

## Almacenamiento

### Información general



#### ▲ PELIGRO

Explosión e incendio. El combustible y los vapores son extremadamente inflamables y explosivos. Almacene el combustible en una zona bien ventilada. Mantenga alejados el fuego y las chispas. No hacerlo ocasionará la muerte o lesiones graves. (000143)



#### ▲ ADVERTENCIA

Riesgo de incendio. Verifique que la máquina se haya enfriado apropiadamente antes de instalar una cubierta y almacenar la máquina. Las superficies calientes pueden ocasionar un incendio. (000109)

Se recomienda poner en marcha y hacer funcionar el generador durante 30 minutos cada 30 días. Si no es posible, consulte la lista siguiente para preparar la unidad para almacenamiento.

- NO coloque una cubierta para almacenamiento sobre un generador caliente. Permita que la unidad se enfríe a temperatura ambiente antes de almacenarla.
- NO almacene combustible de una estación a otra excepto que esté tratado apropiadamente.
- Sustituya el recipiente de combustible si hay óxido presente. El óxido en el combustible causa problemas en el sistema de combustible.
- Cubra la unidad con una cubierta protectora adecuada resistente a la humedad.
- Almacene la unidad en una zona limpia y seca.
- Siempre almacene el generador y el combustible alejados del calor y las fuentes de encendido.

### Preparación del sistema de combustible para almacenamiento

El combustible almacenado más de 30 días puede deteriorarse y dañar los componentes del sistema de combustible. Mantenga fresco el combustible, use estabilizador de combustible.

Si se añade estabilizador de combustible al sistema de combustible, prepare y haga funcionar el motor para almacenamiento de largo plazo. Haga funcionar el motor durante 10 a 15 minutos para hacer circular el estabilizador a través del sistema de combustible. El combustible preparado adecuadamente se puede almacenar hasta 24 meses.

**NOTA:** Si el combustible no ha sido tratado con estabilizador de combustible, debe vaciarse en un recipiente aprobado. Haga funcionar el motor hasta que pare por falta de combustible. Se recomienda el uso de un estabilizador de combustible en el recipiente de almacenamiento para mantener el combustible fresco.

1. Cambie el aceite de motor.
2. Retire la bujía.
3. Vierta una cuchara sopera (5-10 cm<sup>3</sup>) de aceite de motor limpio o pulverice un agente protector adecuado en el cilindro.



#### ▲ ADVERTENCIA

Pérdida de la visión. Es obligatorio llevar protección ocular para evitar las salpicaduras procedentes de la cavidad de la bujía al girar el motor. De lo contrario, se puede provocar la pérdida de la visión. (000181)

4. Tire de la cuerda de arranque manual varias veces para distribuir el aceite en el cilindro.
5. Instale la bujía.
6. Tire de la cuerda de arranque manual lentamente hasta que sienta resistencia. Esto cerrará las válvulas de manera que la humedad no pueda ingresar en el cilindro del motor. Suelte lentamente la cuerda de arranque manual.

### Cambio de aceite

Cambie el aceite de motor antes de almacenarlo. Vea [Cambio de aceite de motor](#).

## Resolución de problemas

PROBLEMA	CAUSA	CORRECCIÓN
El motor funciona, pero no hay salida de CA disponible.	<ol style="list-style-type: none"> <li>1. Disyuntor ABIERTO.</li> <li>2. Conexión deficiente o juego de cordones de conexión defectuoso.</li> <li>3. El dispositivo conectado está averiado.</li> <li>4. Fallo en el generador.</li> <li>5. El tomacorriente GFCI (si tiene) está ABIERTO.</li> </ol>	<ol style="list-style-type: none"> <li>1. Vuelva a conectar el disyuntor.</li> <li>2. Compruebe y repare.</li> <li>3. Conecte otro dispositivo que se encuentre en buenas condiciones.</li> <li>4. Comuníquese con un IASD.</li> <li>5. Corrija el fallo de conexión a tierra y pulse el botón de reconexión en el tomacorriente GFCI (si tiene).</li> </ol>
El motor funciona bien sin carga, pero tiende a pararse cuando se aplica carga.	<ol style="list-style-type: none"> <li>1. Cortocircuito en una carga conectada.</li> <li>2. El generador está sobrecargado.</li> <li>3. La velocidad del motor es muy lenta.</li> <li>4. Generador en cortocircuito.</li> <li>5. Filtro de combustible sucio.</li> </ol>	<ol style="list-style-type: none"> <li>1. Desconecte la carga eléctrica en cortocircuito.</li> <li>2. Vea <a href="#">Conozca los límites del generador</a>.</li> <li>3. Comuníquese con un IASD.</li> <li>4. Comuníquese con un IASD.</li> <li>5. Sustituya el filtro de combustible.</li> </ol>
El motor no se pone en marcha, o se pone en marcha y funciona en forma irregular.	<ol style="list-style-type: none"> <li>1. El interruptor ON/OFF está en OFF.</li> <li>2. La válvula de cierre de combustible está CERRADA.</li> <li>3. Filtro de aire sucio.</li> <li>4. Sin combustible.</li> <li>5. Combustible vencido.</li> <li>6. Cable de bujía no conectado a la bujía.</li> <li>7. Bujía averiada.</li> <li>8. Agua en el combustible.</li> <li>9. Cebado en exceso.</li> <li>10. Nivel de aceite bajo.</li> <li>11. Mezcla de combustible excesivamente rica.</li> <li>12. La válvula de admisión se encuentra atorada abierta o cerrada.</li> <li>13. El motor perdió compresión.</li> <li>14. Filtro de combustible sucio.</li> </ol>	<ol style="list-style-type: none"> <li>1. Gire el interruptor ON/OFF a ON.</li> <li>2. Abra el cierre de combustible (ON).</li> <li>3. Limpie o sustituya el filtro de aire.</li> <li>4. Llene el tanque de combustible.</li> <li>5. Vacíe el tanque de combustible y llene con combustible nuevo.</li> <li>6. Conecte el cable a la bujía.</li> <li>7. Sustituya la bujía.</li> <li>8. Vacíe el tanque de combustible, llene con combustible nuevo.</li> <li>9. Ajuste el cebador en la posición de sin cebado.</li> <li>10. Llene el cárter hasta el nivel correcto.</li> <li>11. Comuníquese con un IASD.</li> <li>12. Comuníquese con un IASD.</li> <li>13. Comuníquese con un IASD.</li> <li>14. Sustituya el filtro de combustible.</li> </ol>
El motor se para durante el funcionamiento.	<ol style="list-style-type: none"> <li>1. Sin combustible.</li> <li>2. Nivel de aceite bajo.</li> <li>3. Fallo en el motor.</li> </ol>	<ol style="list-style-type: none"> <li>1. Llene el tanque de combustible.</li> <li>2. Llene el cárter hasta el nivel correcto.</li> <li>3. Comuníquese con un IASD.</li> </ol>
Falta de potencia del motor.	<ol style="list-style-type: none"> <li>1. La carga es muy alta.</li> <li>2. Filtro de aire sucio.</li> <li>3. El motor necesita mantenimiento.</li> <li>4. Filtro de combustible sucio.</li> </ol>	<ol style="list-style-type: none"> <li>1. Reduzca la carga (vea <a href="#">Conozca los límites del generador</a>).</li> <li>2. Limpie o sustituya el filtro de aire.</li> <li>3. Comuníquese con un IASD.</li> <li>4. Sustituya el filtro de combustible.</li> </ol>
El motor funciona con velocidad irregular o falla momentáneamente.	<ol style="list-style-type: none"> <li>1. El cebador se abre demasiado temprano.</li> <li>2. El carburador tiene mezcla muy rica o muy pobre.</li> </ol>	<ol style="list-style-type: none"> <li>1. Ajuste el cebador en posición media hasta que el motor funcione suavemente.</li> <li>2. Comuníquese con un IASD.</li> </ol>



---

## Notas







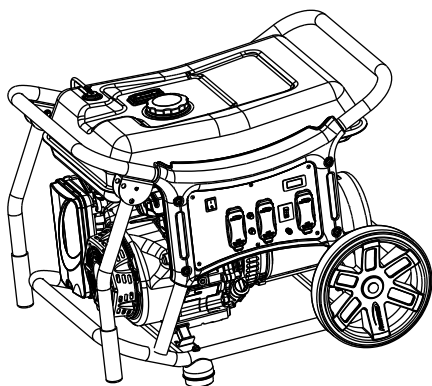
Núm. de pieza 10000001749      Rev. B 17/05/2016  
©2016 Powermate Todos los derechos reservados.  
Las especificaciones están sujetas a cambios  
sin aviso.

No se permite la reproducción bajo ninguna forma  
sin previo consentimiento escrito de Powermate.

Powermate, LLC  
S45 W29290 Hwy. 59  
Waukesha, WI 53189, EE. UU.  
1-800-445-1805  
[www.powermate.com](http://www.powermate.com)



*Générateur portatif*  
**CX1400/3500/5500**  
*Manuel de l'utilisateur*



**MODÈLE :** \_\_\_\_\_

**NO DE SÉRIE :** \_\_\_\_\_

**DATE D'ACHAT :** \_\_\_\_\_



**AVERTISSEMENT**

Ce produit n'est pas conçu pour être utilisé dans un système de maintien de la vie. Le non-respect de cet avertissement pourrait entraîner la mort ou des blessures graves.

(000209a)

Enregistrez votre produit Powermate au :  
[www.powermate.com](http://www.powermate.com)  
1-800-445-1805

**CONSERVEZ CE MANUEL À TITRE DE RÉFÉRENCE ULTÉRIEURE.**

# Table des matières

---

## Section 1 Introduction

<b>et sécurité</b> .....	1
Introduction .....	1
Règles de sécurité .....	1
Symboles de sécurité et signification .....	1
Risques relatifs aux gaz d'échappement et à l'emplacement .....	2
Risques de décharge électrique .....	3
Risques d'incendie .....	3
Index des normes .....	3

## Section 2 Informations

<b>générales et installation</b> .....	4
Connaissance du générateur .....	5
Émissions .....	5
Fiches de branchement .....	6
Ouverture de la boîte de l'appareil .....	7
Assemblage .....	7
Ajout d'huile à moteur .....	9
Carburant .....	10

## Section 3 Utilisation .....

<b>Utilisation et questions liées à l'utilisation</b> .....	11
Avant le démarrage du moteur .....	11
Préparation du générateur pour l'utilisation .....	11
Mise à la terre du générateur en fonction .....	11
Connaissance des limites du générateur .....	12

Transport et inclinaison de l'appareil .....	13
Démarrage des moteurs à démarrage manuel .....	13
Arrêt du générateur .....	13
Système d'arrêt en cas de niveau d'huile bas .....	13

## Section 4 Entretien

<b>et dépannage</b> .....	14
Entretien .....	14
Calendrier d'entretien .....	14
Entretien préventif .....	14
Entretien du moteur .....	14
Inspection du silencieux et du pare-étincelles .....	16
Jeu des soupapes .....	16
Entreposage .....	17
Dépannage .....	18
Notes .....	19

---

### AVERTISSEMENT

Proposition 65 de l'État de la Californie. L'échappement du moteur et certains de ses composants sont reconnus par l'État de la Californie comme pouvant causer le cancer, des anomalies congénitales ou d'autres dommages au système reproducteur.

(000004)

---

### AVERTISSEMENT

Proposition 65 de l'État de la Californie. Ce produit contient ou émet des produits chimiques reconnus par l'État de la Californie comme pouvant causer le cancer, des anomalies congénitales ou d'autres dommages au système reproducteur.

(000005)

---

# Section 1 Introduction et sécurité

## Introduction

Nous vous remercions d'avoir acheté un appareil Powermate. Cet appareil a été conçu pour offrir une performance élevée et un fonctionnement efficace pendant des années, s'il est entretenu correctement.



### ⚠ AVERTISSEMENT

Consultez le manuel. Lisez complètement le manuel et assurez-vous d'en comprendre le contenu avant d'utiliser l'appareil. Une mauvaise compréhension du manuel ou de l'appareil consigne pourrait entraîner la mort ou des blessures graves.

(000100a)

Si vous ne comprenez pas une section du manuel, veuillez communiquer avec votre fournisseur de services d'entretien agréé indépendant le plus près ou avec le service à la clientèle de Powermate par téléphone, au 1 800 445-1805, ou par Internet, au [www.powermate.com](http://www.powermate.com), pour obtenir de l'aide.

Le propriétaire est responsable de l'entretien adéquat et de l'utilisation sécuritaire de l'appareil. Avant d'utiliser le générateur, d'en faire l'entretien ou de le ranger :

- Étudiez attentivement tous les avertissements de sécurité se trouvant dans le présent manuel et sur le produit.
- Familiarisez-vous avec le manuel et avec l'appareil avant de l'utiliser.
- Consultez la section Assemblage du manuel afin d'obtenir les consignes portant sur les procédures d'assemblage finales. Suivez les consignes à la lettre.

Conservez ces consignes à titre de référence ultérieure. Remettez TOUJOURS ce manuel à toute personne qui utilisera cet appareil.

LES RENSEIGNEMENTS CONTENUS DANS LE PRÉSENT DOCUMENT SONT BASÉS SUR DES APPAREILS EN PRODUCTION AU MOMENT DE LA PUBLICATION. POWERMATE SE RÉSERVE LE DROIT DE MODIFIER CE MANUEL À TOUT MOMENT.

## Règles de sécurité

Le fabricant ne peut pas prévoir toutes les circonstances possibles pouvant être une source de danger. Les avertissements du présent manuel ainsi que ceux qui se trouvent sur les étiquettes et les autocollants fixés sur l'appareil ne préviennent donc pas tous les risques. Si vous utilisez une procédure, une méthode de travail ou une technique d'utilisation n'étant pas spécifiquement recommandée par le fabricant, veuillez vous assurer de sa sécurité pour les autres. Assurez-vous également que la procédure, la méthode de travail ou la technique d'utilisation ne fait pas en sorte que l'appareil devienne non sécuritaire.

Des encarts DANGER, AVERTISSEMENT, MISE EN GARDE et REMARQUE apparaissent ponctuellement dans la présente publication ainsi que sur les étiquettes et les autocollants fixés sur le générateur pour attirer l'attention du personnel sur des consignes propres à

certaines opérations pouvant présenter des risques si elles sont réalisées de manière incorrecte ou inattentive. Il est important de les respecter scrupuleusement. Voici leur définition :

### ⚠ DANGER

Indique une situation dangereuse qui, si elle n'est pas évitée, entraînera la mort ou des blessures graves.

(000001)

### ⚠ AVERTISSEMENT

Indique une situation dangereuse qui, si elle n'est pas évitée, pourrait entraîner la mort ou des blessures graves.

(000002)

### ⚠ MISE EN GARDE

Indique une situation dangereuse qui, si elle n'est pas évitée, pourrait entraîner des blessures légères ou moyennement graves.

(000003)

**REMARQUE :** Les remarques contiennent des renseignements supplémentaires importants à propos des procédures et sont intégrées au corps du texte du présent manuel.

Ces avertissements de sécurité ne peuvent pas éliminer les dangers qu'ils signalent. Pour éviter les accidents, il est essentiel de faire preuve de bon sens et de respecter à la lettre les instructions spéciales pendant l'entretien ou la réparation.

## Symboles de sécurité et signification

⚠ DANGER	
L'utilisation d'une génératrice à l'intérieur PEUT CAUSER LA MORT EN QUELQUES MINUTES.	
L'échappement de la génératrice contient du monoxyde de carbone. C'est un poison qui est invisible et inodore.	
 NE JAMAIS utiliser à l'intérieur d'une maison ou d'un garage. MEME Si les portes ou les fenêtres sont ouvertes.	 Utiliser uniquement à l'EXTÉRIEUR et très loin des fenêtres, portes et évents.

000657



### ⚠ DANGER

Asphyxie. Le moteur en marche produit du monoxyde de carbone, un gaz inodore, incolore et toxique. Le monoxyde de carbone, s'il n'est pas évité, entraînera la mort ou des blessures graves.

(000103)

- Si vous commencez à vous sentir mal, étourdi ou faible après le fonctionnement du générateur, déplacez-vous à l'air frais IMMÉDIATEMENT. Consultez un médecin, car il est possible que vous soyez victime d'une intoxication au monoxyde de carbone.

**⚠ DANGER**

Le système d'échappement doit être entretenu convenablement. Ne modifiez pas le système d'échappement de manière à le rendre non sécuritaire ou non conforme aux codes ou aux normes qui s'appliquent. Le non-respect de cette consigne entraînera la mort ou des blessures graves. (000179a)

**⚠ DANGER**

Décharge électrique. Le contact de l'eau avec une source d'alimentation, s'il n'est pas évité, entraînera la mort ou des blessures graves. (000104)

**⚠ DANGER**

Décharge électrique. Coupez l'alimentation du réseau public et du générateur avant de connecter les câbles d'alimentation et les lignes de charge. Le non-respect de cette consigne entraînera la mort ou des blessures graves. (000116)

**⚠ AVERTISSEMENT**

Domages à l'équipement et aux biens. Ne modifiez pas la construction ni l'installation du générateur et ne bloquez pas la ventilation. Le non-respect de cette consigne pourrait endommager le générateur ou le rendre dangereux. (000146)

**⚠ AVERTISSEMENT**

Asphyxie. Toujours utiliser à l'intérieur une alarme à monoxyde de carbone fonctionnant sur pile, installée selon les instructions du fabricant. Sinon, cela pourrait entraîner la mort ou des blessures graves. (000178a)

**⚠ AVERTISSEMENT**

Domages à l'équipement et aux biens. Ne faites pas fonctionner l'appareil sur des surfaces inégales ou dans des zones où il serait exposé à une humidité excessive, à de la poussière ou à des vapeurs corrosives. Le non-respect de cette consigne pourrait entraîner la mort ou des blessures graves, ainsi que des dommages aux biens et à l'équipement. (000250)

**⚠ AVERTISSEMENT**

Pièces mobiles. Gardez les vêtements, les cheveux et les accessoires loin des pièces mobiles. Le non-respect de cette consigne pourrait entraîner la mort ou des blessures graves. (000111)

**⚠ AVERTISSEMENT**

Surfaces chaudes. Lorsque vous utilisez l'appareil, ne touchez pas aux surfaces chaudes. Gardez l'appareil loin des matériaux combustibles lorsqu'il fonctionne. Le contact avec des surfaces chaudes pourrait entraîner des brûlures graves ou un incendie. (000108)

**⚠ AVERTISSEMENT**

N'insérez aucun objet dans les fentes de refroidissement. Le générateur peut se mettre en marche à tout moment et entraîner la mort, des blessures graves ou des dommages. (000142)

**⚠ AVERTISSEMENT**

Risque de blessures. Il faut être parfaitement vigilant pour utiliser cet appareil et en faire l'entretien. La fatigue peut nuire à votre capacité à entretenir cet équipement et pourrait entraîner la mort ou des blessures graves. (000215)

**⚠ AVERTISSEMENT**

Blessures et dommages à l'équipement. N'utilisez pas le générateur en guise de marchepied. Ce geste pourrait entraîner votre chute, des dommages aux pièces, une utilisation non sécuritaire de l'équipement, des blessures graves, voire la mort. (000216)

**⚠ AVERTISSEMENT**

Domage à l'appareil. Ne démarrez pas et n'utilisez pas un appareil nécessitant des réparations ou un entretien programmé. Cela risque de provoquer des blessures graves voire mortelles, ou des pannes ou des dommages aux équipements. (000291)

	<b>⚠ CAUTION</b>
	Hearing protection recommended.
	<b>PRECAUCIÓN</b>
	Se recomienda protección auditiva.
	<b>MISE EN GARDE</b>
	Protection auditive recommandée.

000406

- Pour des raisons de sécurité, il est recommandé que l'entretien de cet équipement soit effectué par un fournisseur de services d'entretien agréé indépendant. Inspectez régulièrement le générateur et communiquez avec le FSEAI le plus près au sujet des pièces nécessitant une réparation ou un remplacement.

## Risques relatifs aux gaz d'échappement et à l'emplacement

**⚠ DANGER**

Asphyxie. Le moteur en marche produit du monoxyde de carbone, un gaz inodore, incolore et toxique. Le monoxyde de carbone, s'il n'est pas évité, entraînera la mort ou des blessures graves. (000103)

**⚠ DANGER**

Le système d'échappement doit être entretenu convenablement. Ne modifiez pas le système d'échappement de manière à le rendre non sécuritaire ou non conforme aux codes ou aux normes qui s'appliquent. Le non-respect de cette consigne entraînera la mort ou des blessures graves. (000179a)

**⚠ AVERTISSEMENT**

Domages à l'équipement et aux biens. Ne modifiez pas la construction ni l'installation du générateur et ne bloquez pas la ventilation. Le non-respect de cette consigne pourrait endommager le générateur ou le rendre dangereux. (000146)

**⚠ AVERTISSEMENT**

Asphyxie. Toujours utiliser à l'intérieur une alarme à monoxyde de carbone fonctionnant sur pile, installée selon les instructions du fabricant. Sinon, cela pourrait entraîner la mort ou des blessures graves. (000178a)

- Si vous commencez à vous sentir mal, étourdi ou faible après le fonctionnement du générateur, déplacez-vous à l'air frais



IMMÉDIATEMENT. Consultez un médecin, car il est possible que vous soyez victime d'une intoxication au monoxyde de carbone.

## Risques de décharge électrique



### ⚠ DANGER

Décharge électrique. Tout contact avec des fils nus, des bornes ou des branchements pendant que le générateur fonctionne causera la mort ou des blessures graves.

(000144)



### ⚠ DANGER

Décharge électrique. Le contact de l'eau avec une source d'alimentation, s'il n'est pas évité, entraînera la mort ou des blessures graves.

(000104)



### ⚠ DANGER

Décharge électrique. En cas d'accident électrique, COUPEZ immédiatement l'alimentation. Utilisez des outils non conducteurs pour libérer la victime du conducteur sous tension. Administrez-lui les premiers soins et allez chercher de l'aide médicale. Le non-respect de cette consigne entraînera la mort ou des blessures graves.

(000145)

### ⚠ AVERTISSEMENT

Démarrage accidentel. Lorsque vous travaillez sur l'appareil, débranchez le câble négatif de la batterie, puis le câble positif. Le non-respect de cette consigne pourrait entraîner la mort ou des blessures graves.

(000130)

- Le National Electrical Code (NEC) exige que le châssis et les pièces externes électriquement conductrices du générateur soient reliés à une mise à la terre réglementaire. Les codes de l'électricité locaux peuvent aussi exiger que le générateur soit mis à la terre de façon appropriée. Consultez un électricien de votre région pour connaître les exigences qui s'appliquent en matière de mise à la terre.
- Dans tout lieu humide ou à forte conductivité (comme les terrasses en métal ou les ouvrages métalliques), utilisez un disjoncteur de fuite de terre.

## Risques d'incendie



### ⚠ DANGER

Explosion et incendie. Le carburant et ses vapeurs sont extrêmement inflammables et explosifs. Ajoutez du carburant dans un endroit bien aéré. Gardez l'appareil loin du feu et des étincelles. Le non-respect de cette consigne entraînera la mort ou des blessures graves.

(000105)



### ⚠ DANGER

Ne remplissez jamais le réservoir de carburant à ras bord. Laissez un espace de 1,5 cm (0,5 po) dans le haut du réservoir pour permettre l'expansion du carburant. Un trop-plein pourrait répandre du carburant sur le moteur et ainsi causer un incendie ou une explosion entraînant la mort ou des blessures graves.

(000166)

### ⚠ AVERTISSEMENT

N'insérez aucun objet dans les fentes de refroidissement. Le générateur peut se mettre en marche à tout moment et entraîner la mort, des blessures graves ou des dommages.

(000142)



### ⚠ AVERTISSEMENT

Risque d'incendie. Le carburant et ses vapeurs sont extrêmement inflammables. N'utilisez pas en intérieur. Le non-respect de cette consigne pourrait entraîner la mort ou des blessures graves, ainsi que des dommages aux biens et à l'équipement.

(000281)



### ⚠ AVERTISSEMENT

Risque d'explosion et incendie. Ne fumez pas près de l'appareil. Gardez-le loin du feu et des étincelles. Le non-respect de cette consigne pourrait entraîner la mort ou des blessures graves, ainsi que des dommages aux biens et à l'équipement.

(000282)



### ⚠ AVERTISSEMENT

Risque d'explosion et incendie. Ne fumez pas en faisant le plein de carburant. Le non-respect de cette consigne pourrait entraîner la mort ou des blessures graves, ainsi que des dommages aux biens et à l'équipement.

(000284)

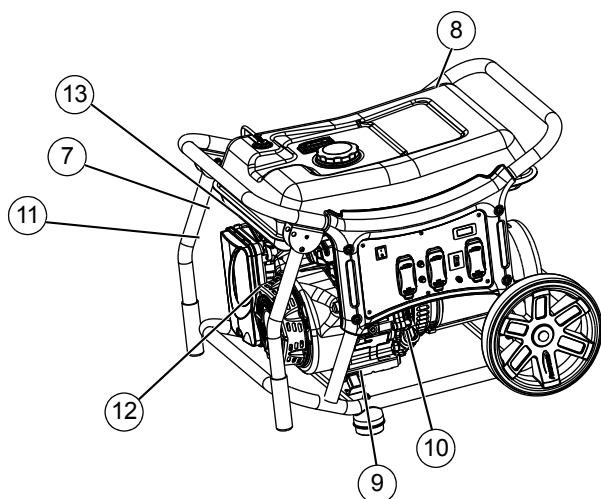
- Essayez immédiatement tout déversement de carburant ou d'huile. Assurez-vous de ne laisser aucune matière combustible sur le générateur ou à proximité de celui-ci. Gardez la zone entourant le générateur propre et exempte de débris, et respectez un rayon de sécurité de cinq (5) pieds autour de l'appareil afin de permettre une ventilation appropriée.
- Ne faites pas fonctionner le générateur si les appareils électriques qui y sont connectés surchauffent, s'il y a des pertes d'électricité, si le moteur ou le générateur produit des étincelles ou si des flammes ou de la fumée se dégagent pendant le fonctionnement de l'appareil.
- Gardez un extincteur près du générateur en tout temps.

## Index des normes

- National Fire Protection Association (NFPA) 70 : NATIONAL ELECTRIC CODE (NEC), consultable au [www.nfpa.org](http://www.nfpa.org)
- National Fire Protection Association (NFPA) 5000 : BUILDING CONSTRUCTION AND SAFETY CODE, consultable au [www.nfpa.org](http://www.nfpa.org)
- International Building Code, consultable au [www.iccsafe.org](http://www.iccsafe.org)
- Agricultural Wiring Handbook, consultable au [www.nerc.org](http://www.nerc.org), Rural Electricity Resource Council P.O. Box 309 Wilmington, OH 45177-0309
- ASAE EP-364.2 Installation and Maintenance of Farm Standby Electric Power, consultable au [www.asabe.org](http://www.asabe.org), American Society of Agricultural & Biological Engineers 2950 Niles Road, St. Joseph, MI 49085

Cette liste n'est pas exhaustive. Vérifiez auprès de l'autorité compétente s'il existe des normes ou des codes locaux qui pourraient s'appliquer à votre région.

## Section 2 Informations générales et installation



001593

Figure 2-1. Caractéristiques et commandes

TABLE 1. Composants du générateur

- 1 Prise de courant double de 120 V c.a., 20 A
- 2 Prise à verrouillage (NEMA L14-30R) de 120/240 V c.a., 30 A
- 3 Disjoncteurs (c.a.)
- 4 Commutateur de marche et d'arrêt
- 5 Horomètre
- 6 Borne de mise à la terre
- 7 Levier d'étrangleur
- 8 Réservoir de carburant
- 9 Tuyau de vidange d'huile
- 10 Orifice de remplissage d'huile
- 11 Filtre à air
- 12 Poignée du lanceur à rappel
- 13 Robinet d'arrêt de carburant
- 14 Chargeur de batterie
- 15 Disjoncteur (c.c.)
- 16 Prise de courant à verrouillage (NEMA L5-30R) de 120/240 V c.a., 30 A
- 17 Prise de courant (NEMA TT-30R) de 120 V c.a., 30 A
- 18 Disjoncteur bipolaire (c.a.)
- 19 Prise de courant double avec disjoncteur de fuite de terre (modèle CX5500 CARB uniquement) de 120 V c.a., 20 A

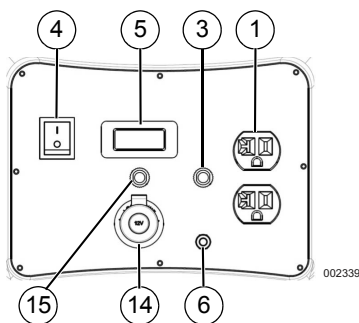


Figure 2-2. Tableau de commande CX1400

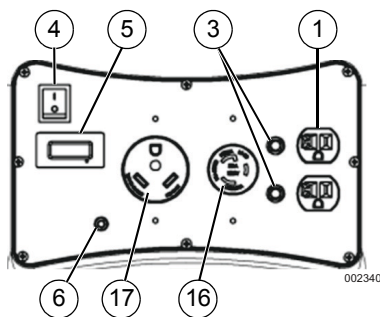


Figure 2-3. Tableau de commande CX3500 (CSA/CARB)

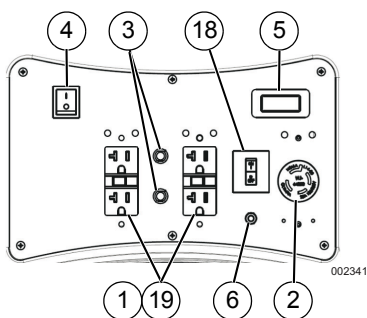


Figure 2-4. Tableau de commande CX500 (CSA/CARB)

Des manuels de l'utilisateur de rechange sont offerts au [www.powermate.com](http://www.powermate.com).

## Émissions

L'Environmental Protection Agency (EPA) (et le California Air Resource Board [CARB], pour les moteurs et les équipements certifiés selon les normes de la Californie) exige que le moteur et l'équipement soient conformes aux normes d'émissions d'échappement et par évaporation. Repérez l'étiquette de conformité en matière d'émissions sur le moteur afin de déterminer les normes applicables. Pour obtenir des renseignements sur la garantie en matière d'émissions, veuillez consulter la garantie des émissions ci-jointe. Il est important de respecter les spécifications d'entretien décrites dans le présent manuel afin de vous assurer que le moteur est conforme aux normes applicables relatives aux émissions pendant toute sa durée de vie.

## Connaissance du générateur



### ⚠ AVERTISSEMENT

Consultez le manuel. Lisez complètement le manuel et assurez-vous d'en comprendre le contenu avant d'utiliser l'appareil. Une mauvaise compréhension du manuel ou de l'appareil consigne pourrait entraîner la mort ou des blessures graves.

(000100a)

## Caractéristiques techniques du produit

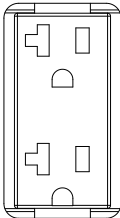
Caractéristiques techniques du générateur	1400	3500	5500
Puissance nominale	1 400 W	3 500 W	5 500 W
Puissance de démarrage	1 700 W	4 375 W	6 875 W
Tension nominale c.a.	120	120	120/240
Charge c.a. nominale (ampères)	11.7**	29.2**	45.8 / 22.9**
Fréquence nominale	60 Hz à 3600 tr/min	60 Hz à 3600 tr/min	60 Hz à 3600 tr/min
Phase	Monophasé	Monophasé	Monophasé
Poids de l'appareil	27,2 kg (60 lb)	48,5 kg (107 lb)	78,5 kg (173 lb)
** Plage de températures de fonctionnement : -18 °C (0 °F) à 40 °C (104 °F) Lorsque le générateur est utilisé à une température supérieure à 25 °C (77 °F), la puissance peut être diminuée.			
** La puissance et le courant maximums sont soumis à plusieurs facteurs et sont limités par ces derniers : la teneur en BTU du carburant, la température ambiante, l'altitude, l'état du moteur, etc. La puissance maximale diminue d'environ 3,5 % pour chaque tranche d'élévation de 300 mètres au-dessus du niveau de la mer, et d'environ 1 % pour chaque incrément de 6 °C (10 °F) supérieur à une température ambiante de 16 °C (60 °F).			
Caractéristiques techniques du moteur	1400	3500	5500
Cylindrée	98 cm <sup>3</sup>	208 cm <sup>3</sup>	420 cm <sup>3</sup>
No de pièce de la bougie d'allumage	NGK BPR6HS ou équivalent	NGK BPR7ES ou équivalent	NGK BPR7ES ou équivalent
Écartement des électrodes	0,70-0,80 mm (0,028-0,031 po)	0,70-0,80 mm (0,028-0,031 po)	0,70-0,80 mm (0,028-0,031 po)
Capacité d'essence	5,7 litres (1,5 gallons américains)	17 litres (4,5 gallons américains)	26,5 litres (7 gallons américains)
Type d'huile	Voir le tableau de la section <b>Ajout d'huile à moteur</b>	Voir le tableau de la section <b>Ajout d'huile à moteur</b>	Voir le tableau de la section <b>Ajout d'huile à moteur</b>
Capacité en huile	0,4 litre (0,4 pinte)	0,6 litre (0,6 pinte)	1,0 litre (1,0 pinte)
Durée de fonctionnement à demi-charge	9,5 heures	12 heures	12,5 heures
* Rendez-vous sur le site <a href="http://www.powermate.com">www.powermate.com</a> ou communiquez avec un fournisseur de services d'entretien agréé indépendant pour obtenir des pièces de rechange.			

## Fiches de branchement

### Prise de courant double de 120 V c.a., 20 A

La prise de 120 V est protégée contre les surcharges par un disjoncteur à réarmement de type bouton-poussoir de 20 A. Voir la [Figure 2-5](#). Chaque prise peut alimenter des charges électriques de 120 V c.a., monophasées, 60 Hz, nécessitant jusqu'à 2 400 watts (2,4 kW) ou 20 A de courant. Utilisez seulement des cordons à trois fils de haute qualité, bien isolés et avec mise à la terre dont les valeurs nominales sont de 125 V à 20 A (ou plus).

**REMARQUE :** Limitez la longueur des rallonges à 4,6 mètres (15 pieds) pour prévenir les chutes de tension et la surchauffe des fils.



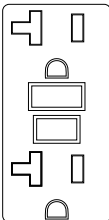
000424

**Figure 2-5. Prise de courant double NEMA 5-20R de 120 V c.a., 20 A**

### Prise de courant double avec disjoncteur de fuite de terre (si équipé), 20 A, 120 V c.a.

La prise de 120 V est protégée contre les surcharges par un disjoncteur à réarmement de type bouton-poussoir de 20 A. Voir la [Figure 2-6](#). Chaque prise peut alimenter des charges électriques de 120 V c.a., monophasées, 60 Hz, nécessitant jusqu'à 2 400 watts (2,4 kW) ou 20 A de courant. Utilisez seulement des cordons à trois fils de haute qualité, bien isolés et avec mise à la terre dont les valeurs nominales sont de 125 V à 20 A (ou plus). La prise offre également une protection grâce à un disjoncteur de fuite à la terre avec bouton TEST (essai) et RESET (réinitialisation).

**REMARQUE :** Limitez la longueur des rallonges à 4,6 mètres (15 pieds) pour prévenir les chutes de tension et la surchauffe des fils.



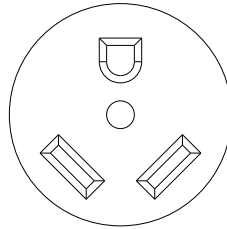
000203

**Figure 2-6. Prise de courant double NEMA 5-20R avec disjoncteur de fuite de terre, 120 V c.a., 20 A**

### Prise de courant de 120 V c.a., 30 A

Utilisez une fiche NEMA TT-30R avec cette prise. Connectez un cordon d'alimentation amovible à trois fils à la fiche et à la charge désirée. Le cordon doit être prévu pour 125 V c.a. à 30 A (ou plus). Voir la [Figure 2-7](#).

Utilisez cette prise pour faire fonctionner des charges monophasées de 120 V c.a., 60 Hz, nécessitant jusqu'à 3 600 watts (3,6 kW) de puissance à 30 A. La prise est protégée par un disjoncteur à réarmement de type bouton-poussoir de 30 A.



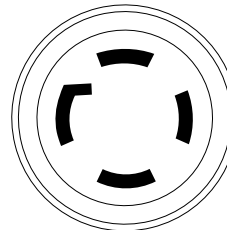
002226

**Figure 2-7. Prise de courant NEMA TT-30R de 120 V c.a., 30 A**

### Prise de courant de 120/240 V c.a., 30 A

Utilisez une fiche NEMA L14-30 avec cette prise (tournez pour verrouiller ou déverrouiller). Connectez un cordon d'alimentation amovible à quatre fils avec mise à la terre à la fiche et à la charge désirée. Le cordon doit être prévu pour 250 V c.a. à 30 A (ou plus). Voir la [Figure 2-8](#).

Utilisez cette prise pour faire fonctionner des charges monophasées de 120 V c.a., 60 Hz, nécessitant jusqu'à 2 760 watts (2,7 kW) de puissance à 23 A ou des charges monophasées de 240 V c.a., 60 Hz, nécessitant jusqu'à 5 520 watts (5,5 kW) de puissance à 23 A. La prise est protégée par un disjoncteur bipolaire à réarmement de type interrupteur à bascule de 23 A.



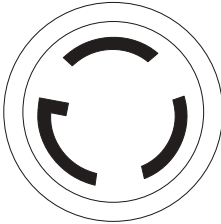
000204

**Figure 2-8. Prise de courant NEMA L14-30R, de 120/240 V c.a., 30 A**

## Prise de courant de 110/240 V c.a., 30 A

Utilisez une fiche NEMA L5-30 avec cette prise (tournez pour verrouiller ou déverrouiller). Connectez un cordon d'alimentation amovible à trois fils à la fiche et à la charge désirée. Le cordon doit être prévu pour 125 V c.a. à 30 A (ou plus). Voir la [Figure 2-9](#).

Utilisez cette prise pour faire fonctionner des charges monophasées de 120 V c.a., 60 Hz, nécessitant jusqu'à 3 600 watts (3,6 kW) de puissance à 30 A. La prise est protégée par un disjoncteur à réarmement de type bouton-poussoir de 30 A.



000844

**Figure 2-9. Prise de courant NEMA L5-30 de  
120 V c.a., 30 A**

## Ouverture de la boîte de l'appareil

1. Ouvrez complètement la boîte en coupant chaque coin de haut en bas.
2. Videz la boîte et vérifiez les pièces fournies avant l'assemblage. La boîte devrait contenir les articles suivants :

### TABLE 2. Accessoires

Article – Tous les modèles	Qté
Appareil principal	1
Manuel de l'utilisateur	1
Litre d'huile SAE	1
Entonnoir à huile	1
<b>Sac de quincaillerie – CX1400</b>	
Clé à bougie avec tige	1
Ensemble de câble de batterie	1
<b>Sac de quincaillerie – CX3500</b>	
Roue (1)	2
Cheville d'essieu (2)	2
Goupille fendue (3)	2
Entretoise de pied (4)	2
Amortisseur de caoutchouc (5)	2
Rondelle plate M10 de 4 mm (6)	2
Boulon M6 x 25 (7)	2

Boulon M8 x 65 (8)	2
Écrou nyloc M6 (9)	2
<b>Sac de quincaillerie – CX5500</b>	
Roue (1)	2
Poignée et support de poignée (2)	2
Cheville d'essieu (3)	2
Goupille fendue (4)	2
Entretoise de pied (5)	2
Amortisseur de caoutchouc (6)	2
Rondelle plate M12 de 4 mm (7)	2
Rondelle plate M12 de 1,5mm (8)	2
Rondelle plate M8 (9)	2
Boulon M8 x 50 (10)	2
Boulon M8 x 80 (11)	2
Écrou nyloc M8 (12)	4
Poignée (13)	2
<b>Outils nécessaires</b>	
Clé hexagonale de 5 mm	1
Clé 10 x 13 mm	1
Clé à bougie avec tige	1

3. Si certaines pièces ne sont pas dans la boîte, veuillez communiquer avec le service à la clientèle de Powermate au 1 800 445-1805. Gardez le modèle et le numéro de série de l'appareil à portée de main.
4. Notez le modèle, le numéro de série et la date d'achat de l'appareil sur la couverture du présent manuel.

## Assemblage



### ⚠ AVERTISSEMENT

Consultez le manuel. Lisez complètement le manuel et assurez-vous d'en comprendre le contenu avant d'utiliser l'appareil. Une mauvaise compréhension du manuel ou de l'appareil consigné pourrait entraîner la mort ou des blessures graves.

(000100a)

Veuillez communiquer avec le service à la clientèle de Powermate au 1 800 445-1805 si vous avez des questions ou des préoccupations liées à l'assemblage de votre appareil. Veuillez avoir le modèle et le numéro de série de votre appareil à portée de main.

Les outils suivants sont nécessaires pour installer la trousse d'accessoires :

- Voir le [Table 2: Accessoires](#) (Outils nécessaires)

**REMARQUE** : Les roues ne sont pas conçues pour être utilisées dans la rue.

## CX3500

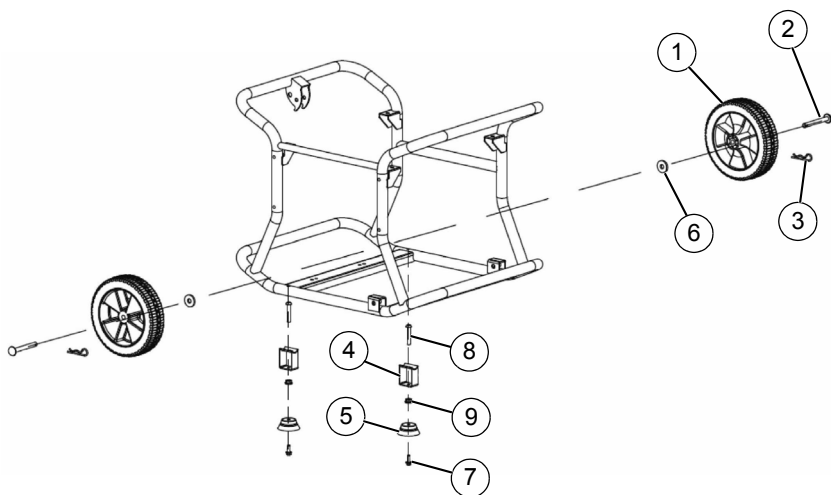
Voir la [Figure 2-11](#).

Installez les roues de la façon suivante.

1. Glissez la cheville d'essieu (2) dans la roue (1), dans la rondelle plate M10 de 4 mm (6) et dans le châssis.
2. Insérez la goupille fendue (3) dans la cheville d'essieu (2). Repliez les languettes (de la goupille fendue) vers l'extérieur afin de fixer l'ensemble en place.

Installez le pied-support du châssis de la façon suivante :

1. Glissez un pied-support en caoutchouc (5), un écrou nyloc M6 (9) et une entretoise de pied (4) sur un boulon M6 x 25 (7).
2. Alignez le tout avec les trous du longeron du cadre et fixez avec un écrou M8 x 65 (8).



002346

**Figure 2-10. Assemblage des roues et des pieds (CX3500)**

## CX5500

Voir la [Figure 2-11](#).

Installez les roues de la façon suivante.

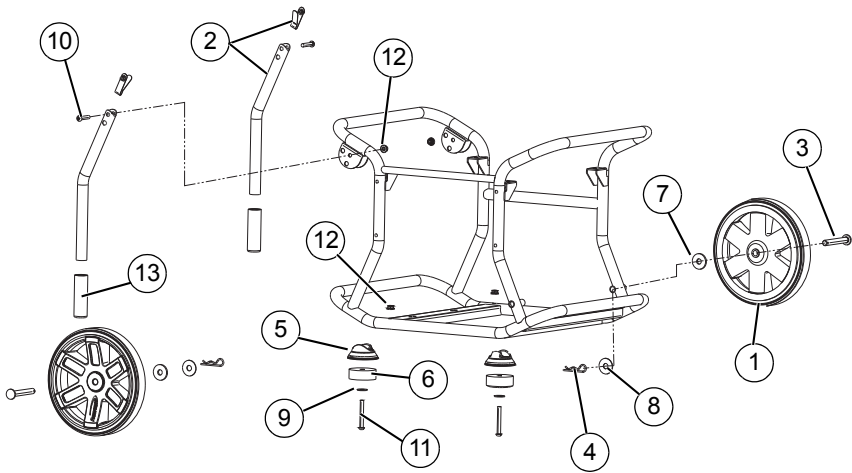
1. Glissez la cheville d'essieu (3) dans la roue (1), dans la rondelle plate M12 de 4 mm (7) et dans le châssis.
2. Placez une rondelle plate M12 de 4 mm (7) et insérez la goupille fendue (4) dans l'essieu (3). Repliez les languettes (de la goupille fendue) vers l'extérieur afin de fixer l'ensemble en place.

Installez le pied-support du châssis de la façon suivante :

1. Glissez une rondelle plate M8 (9), un pied-support en caoutchouc (6), une entretoise de pied (5) sur un boulon M8 x 80 (10).
2. Alignez le tout avec les trous du longeron du cadre et fixez avec un écrou nyloc M8 (12).

Installez la poignée de la façon suivante :

1. Faites glisser un boulon M8 x 50 (10) dans le support de la poignée et dans la poignée (2). Fixez le tout avec un écrou nyloc M8 (12).



001592

Figure 2-11. Assemblage des roues, de la poignée et des pieds (CX5500)

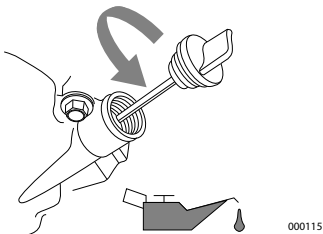
## Ajout d'huile à moteur

### ⚠ MISE EN GARDE

Domages au moteur. Vérifiez que le type et la quantité de l'huile à moteur sont adéquats avant de démarrer le moteur. Le non-respect de cette consigne pourrait causer des dommages au moteur.

(000135)

1. Déposez le générateur sur une surface plane.
2. Assurez-vous que la zone entourant l'orifice de remplissage est propre.
3. Retirez le bouchon de l'orifice de remplissage d'huile et essuyez la jauge. Voir la [Figure 2-12](#).



000115

Figure 2-12. Retrait de la jauge

4. Ajoutez de l'huile à moteur recommandée. La température servira à déterminer le degré de viscosité approprié pour votre huile à moteur. Consultez le tableau ci-dessous pour choisir la bonne viscosité.

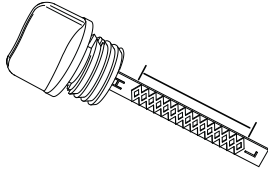
**REMARQUE :** Utilisez une huile à base de pétrole (comprise) pour le rodage du moteur avant d'utiliser une huile synthétique.

												SAE 30																	
10W-30																													
5W-30 synthétique																													
°F -20			-10			0			10			20			32			40			60			80			100		
°C -30			-20			-10			0			10			20			30			40								
Plage de température de l'utilisation prévue																													

000399

**REMARQUE :** Certains appareils comportent plus d'un emplacement pour le remplissage d'huile. Vous pouvez utiliser seulement un emplacement de remplissage d'huile.

5. Vissez la jauge dans le goulot de remplissage. La jauge doit être complètement vissée pour vérifier le niveau d'huile.
6. Voir la [Figure 2-13](#). Retirez la jauge, puis vérifiez que le niveau d'huile se situe dans la plage de fonctionnement sécuritaire.



000116

**Figure 2-13. Plaque de fonctionnement sécuritaire**

7. Remplacez le bouchon de l'orifice de remplissage d'huile et serrez-le à la main.

## Carburant



**▲ DANGER**

Explosion et incendie. Le carburant et ses vapeurs sont extrêmement inflammables et explosifs. Ajoutez du carburant dans un endroit bien aéré. Gardez l'appareil loin du feu et des étincelles. Le non-respect de cette consigne entraînera la mort ou des blessures graves.

(000105)



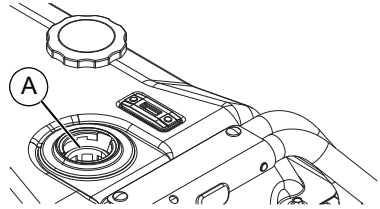
**▲ DANGER**

Ne remplissez jamais le réservoir de carburant à ras bord. Laissez un espace de 1,5 cm (0,5 po) dans le haut du réservoir pour permettre l'expansion du carburant. Un trop-plein pourrait répandre du carburant sur le moteur et ainsi causer un incendie ou une explosion entraînant la mort ou des blessures graves.

(000166)

Les exigences en matière de carburant sont les suivantes :

- de l'essence propre, fraîche et sans plomb;
  - un minimum de 87 octanes ou d'un indice d'octane d'au moins 87 (IOR de 91);
  - un niveau d'éthanol allant jusqu'à 10 % (alco-essence) est acceptable (l'essence super sans éthanol est recommandée si elle est offerte);
  - AUCUNE essence E85;
  - AUCUN mélange d'huile et d'essence;
  - AUCUNE modification du moteur afin qu'il puisse fonctionner avec d'autres types de carburants; l'ajout de stabilisateur dans le carburant avant l'entreposage.
1. Vérifiez que l'appareil est ÉTEINT et laissez-le refroidir pendant au moins deux minutes avant de faire le plein.
  2. Placez l'appareil sur un terrain de niveau dans un endroit bien aéré.
  3. Nettoyez la zone autour du bouchon du réservoir et enlevez le bouchon doucement.
  4. Ajoutez lentement le carburant recommandé. Ne remplissez pas au-dessus de la marque de carburant rouge (A). Voir la [Figure 2-14](#).
  5. Remplacez le bouchon du réservoir.



000206

**Figure 2-14. Ajout de carburant recommandé**

**REMARQUE :** Laissez s'évaporer le carburant renversé avant de démarrer l'appareil.

**REMARQUE IMPORTANTE :** Il est important d'empêcher la formation de dépôts de gommages dans les parties du système de carburant comme le carburateur, le tuyau de carburant ou le réservoir de carburant durant l'entreposage. Les carburants à base d'alcool (alco-essence, éthanol, méthanol) sont également susceptibles de capter l'humidité, ce qui mène à la séparation des composants et à la formation d'acides durant l'entreposage. Les carburants acides peuvent endommager le système de carburant durant l'entreposage. Pour éviter ces problèmes, le système de carburant doit être vidé avant tout entreposage de 30 jours ou plus. Voir la section [Entreposage](#). N'utilisez jamais de produits nettoyants pour moteur ou carburateur dans le réservoir de carburant, car vous risqueriez de l'endommager de façon permanente.



## Section 3 Utilisation

### Utilisation et questions liées à l'utilisation

Veillez communiquer avec le service à la clientèle de Powermate au 1 800 445-1805 si vous avez des questions ou des préoccupations quant à l'utilisation ou à l'entretien de votre appareil.

#### Avant le démarrage du moteur

1. Vérifiez si le niveau d'huile à moteur est correct.
2. Vérifiez si le niveau de carburant est correct.
3. Vérifiez si l'appareil est positionné sur un terrain de niveau avec un dégagement adéquat et s'il est dans un endroit bien aéré.

#### Préparation du générateur pour l'utilisation



#### ▲ DANGER

Asphyxie. Le moteur en marche produit du monoxyde de carbone, un gaz inodore, incolore et toxique. Le monoxyde de carbone, s'il n'est pas évité, entraînera la mort ou des blessures graves.

(000103)



#### ▲ DANGER

Le système d'échappement doit être entretenu convenablement. Ne modifiez pas le système d'échappement de manière à le rendre non sécuritaire ou non conforme aux codes ou aux normes qui s'appliquent. Le non-respect de cette consigne entraînera la mort ou des blessures graves.

(000179a)



#### ▲ AVERTISSEMENT

Risque d'incendie. N'utilisez pas le générateur sans le pare-étincelles. Le non-respect de cette consigne pourrait entraîner la mort ou des blessures graves.

(000118a)



#### ▲ AVERTISSEMENT

Asphyxie. Toujours utiliser à l'intérieur une alarme à monoxyde de carbone fonctionnant sur pile, installée selon les instructions du fabricant. Sinon, cela pourrait entraîner la mort ou des blessures graves.

(000178a)



#### ▲ AVERTISSEMENT

Risque d'incendie. Les surfaces chaudes peuvent enflammer des matériaux combustibles, ce qui pourrait causer un incendie. Un incendie pourrait entraîner la mort ou des blessures graves.

(000110)



#### ▲ AVERTISSEMENT

Surfaces chaudes. Lorsque vous utilisez l'appareil, ne touchez pas aux surfaces chaudes. Gardez l'appareil loin des matériaux combustibles lorsqu'il fonctionne. Le contact avec des surfaces chaudes pourrait entraîner des brûlures graves ou un incendie.

(000108)

#### ▲ MISE EN GARDE

Domages à l'équipement et aux biens. Débranchez les charges électriques avant de démarrer ou d'arrêter l'appareil. Le non-respect de cette consigne pourrait causer des dommages à l'équipement et aux biens.

(000136)

### Mise à la terre du générateur en fonction

Le générateur est équipé d'une borne servant au raccordement d'un système d'électrodes de mise à la terre. En vertu de l'article 250.34 (A) du NEC, il n'est pas nécessaire de relier le châssis du générateur à un système d'électrodes de mise à la terre lorsque le générateur alimente uniquement des appareils branchés directement sur ses prises.

Lorsque le générateur sert d'alimentation de secours à un commutateur de transfert manuel à trois broches ou à un tableau de distribution, il faut installer un système d'électrodes de mise à la terre et le raccorder à la borne de mise à la terre du générateur. Voir les articles 250.30, 250.34 et 250.52 du NEC pour obtenir davantage de renseignements. Voir la [Figure 3-1](#).

- Conducteurs neutres attachés au cadre

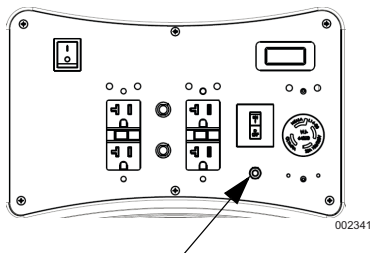


Figure 3-1. Mise à la terre du générateur

### Exigences spéciales

Passiez en revue tous les règlements de l'Occupational Safety and Health Administration (OSHA), les codes locaux et les ordonnances qui s'appliquent à l'utilisation prévue du générateur.

Consultez un électricien qualifié, un inspecteur en électricité ou l'organisme local ayant autorité :

- Dans certaines régions, les générateurs doivent être enregistrés auprès des entreprises locales de services publics.
- Si le générateur est utilisé sur un chantier de construction, des règlements supplémentaires peuvent s'appliquer.

### Raccordement du générateur au système électrique d'un bâtiment

Il est recommandé d'utiliser un commutateur de transfert manuel lorsque le générateur est raccordé directement au système électrique d'un bâtiment. Les connexions d'un générateur portatif au système électrique d'un bâtiment doivent être faites par un électricien qualifié, et ce, dans le respect rigoureux de tous les codes de l'électricité et de toutes les lois à l'échelle locale et nationale.

## Connaissance des limites du générateur

Le fait de surcharger un générateur peut endommager celui-ci ainsi que les appareils électriques qui y sont branchés. Respectez les consignes suivantes pour éviter une surcharge :

- Additionnez la puissance nominale de tous les appareils électriques qui seront branchés en même temps. Le total ne doit PAS dépasser la puissance nominale du générateur.
  - La puissance nominale de l'éclairage est indiquée sur les ampoules électriques. La puissance nominale des outils, des appareils et des moteurs est indiquée sur une plaque signalétique ou sur un autocollant apposé sur l'appareil.
  - Si la puissance nominale de l'appareil, de l'outil ou du moteur n'est pas indiquée, multipliez le nombre de volts par le nombre d'ampères pour déterminer le nombre de watts (volts x ampères = watts).
  - Certains moteurs électriques, comme les moteurs à induction, nécessitent environ trois fois plus de watts de puissance pour démarrer que pour fonctionner. Cette demande supplémentaire ne dure que quelques secondes au moment de faire démarrer de tels moteurs. Au moment de sélectionner les appareils électriques à brancher sur le générateur, assurez-vous de laisser de la puissance pour cette demande supplémentaire :
1. Calculez le nombre de watts nécessaires pour faire démarrer le plus gros moteur.
  2. Additionnez à ce nombre la puissance de fonctionnement de toutes les autres charges branchées.

Le Guide de référence des puissances électriques vous aidera à déterminer combien d'appareils le générateur peut faire fonctionner en même temps.

**REMARQUE :** Tous les nombres sont approximatifs. Consultez la plaque signalétique d'un appareil pour connaître la puissance requise.

**Table 3. Guide de référence de la puissance nominale**

Appareil	Puissance de fonctionnement (en watts)
*Climatiseur (12 000 BTU)	1700
*Climatiseur (24 000 BTU)	3800
*Climatiseur (40 000 BTU)	6000
Chargeur de batterie (20 A)	500
Ponceuse à courroie (3 po)	1000
Scie à chaîne	1200
Scie circulaire (6,5 po)	800 à 1 000
*Sècheuse (électrique)	5750
*Sècheuse (au gaz)	700
*Laveuse	1150

Cafetière	1750
*Compresseur (1 HP)	2000
*Compresseur (0,75 HP)	1800
*Compresseur (0,5 HP)	1400
Fer à friser	700
*Déshumidificateur	650
Ponceuse à courroie (9 po)	1200
Taille-bordure	500
Couverture électrique	400
Cloueuse électrique	1200
Cuisinière électrique (par élément)	1500
Poêle à frire électrique	1250
*Congélateur	700
*Ventilateur d'appareil de chauffage (3/5 HP)	875
*Ouvre-porte de garage	500 à 750
Séchoir à cheveux	1200
Perceuse à main	250 à 1100
Taille-haie	450
Clé à chocs	500
Fer à repasser	1200
*Pompe à jet	800
Tondeuse	1200
Ampoule électrique	100
Four à micro-ondes	700 à 1 000
*Réfrigérateur de lait	1100
Brûleur à mazout d'un appareil de chauffage	300
Radiateur autonome au mazout (140 000 BTU)	400
Radiateur autonome au mazout (85 000 BTU)	225
Radiateur autonome au mazout (30 000 BTU)	150
*Pistolet à peinture, sans air (1/3 HP)	600
Pistolet à peinture, sans air (portable)	150
Radio	50 à 200
*Réfrigérateur	700
Cocotte mijoteuse	200
*Pompe immergée (1,5 HP)	2800
*Pompe immergée (1 HP)	2000
*Pompe immergée (0,5 HP)	1500
*Pompe de puisard	800 à 1050
*Scie circulaire à table (10 po)	13 1750 à 2000
Téléviseur	200 à 500
Grille-pain	1000 à 1650
Coupe-herbe	500
* Calculez le triple du nombre de watts indiqué pour le démarrage de ces appareils.	

## Transport et inclinaison de l'appareil

Ne faites pas fonctionner, ni ne rangez, ni ne transportez l'appareil à un angle supérieur à 15 degrés.

## Démarrage des moteurs à démarrage manuel



### ⚠ AVERTISSEMENT

Risque lié au lanceur à rappel. Le cordon du lanceur à rappel pourrait se rétracter de façon inattendue. Un effet de rebond pourrait entraîner la mort ou des blessures graves.

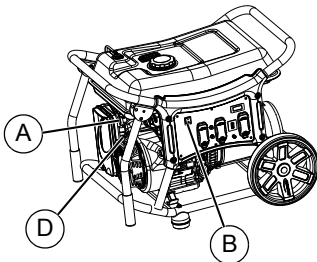
(000183)

### ⚠ MISE EN GARDE

Domages à l'équipement et aux biens. Débranchez les charges électriques avant de démarrer ou d'arrêter l'appareil. Le non-respect de cette consigne pourrait causer des dommages à l'équipement et aux biens.

(000136)

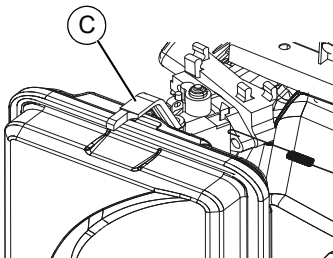
1. Débranchez toutes les charges électriques des prises de l'appareil avant de démarrer le moteur.
2. Déposez le générateur sur une surface plane.
3. Voir la **Figure 3-2**. Ouvrez la vanne d'arrêt de carburant (A).
4. Tournez le commutateur de marche et d'arrêt (ON/OFF) (B) à ON (marche). Voir la **Figure 3-2**.



0001593

**Figure 3-2. Commandes du moteur**

5. Déplacez l'étrangleur du moteur (C) à la position Full CHOKE (étranglement maximal) (gauche). Voir la **Figure 3-3**.



000209

**Figure 3-3. Position de l'étrangleur**

6. Voir la **Figure 3-2**. Saisissez fermement la poignée du lanceur à rappel (D) et tirez lentement jusqu'à ce qu'une résistance accrue se fasse sentir. Tirez-la rapidement vers le haut et vers l'extérieur.
7. Après le démarrage du moteur, mettez le levier d'étrangleur en position 1/2 CHOKE (demi-étranglement) jusqu'à ce que le moteur se mette à fonctionner en douceur, puis mettez-le en position ON (marche). Si le moteur hésite, remplacez le levier d'étrangleur à la position 1/2 CHOKE (demi-étranglement) jusqu'à ce que le moteur fonctionne en douceur, puis mettez-le en position ON (marche).

**REMARQUE :** Si le moteur démarre, mais connaît des défaillances, déplacez le levier d'étrangleur à la position Full CHOKE (étranglement complet) et répétez les instructions de démarrage.

**REMARQUE IMPORTANTE :** Ne surchargez pas le générateur et les prises individuelles du tableau. Ces sorties sont protégées de la surcharge par des disjoncteurs à réarmement de type bouton-poussoir. Si l'intensité nominale d'un disjoncteur est dépassée, ce disjoncteur s'ouvre et l'alimentation électrique de la prise est coupée. Lire attentivement la section **Connaissance des limites du générateur**.

## Arrêt du générateur

### ⚠ MISE EN GARDE

Domages à l'équipement et aux biens. Débranchez les charges électriques avant de démarrer ou d'arrêter l'appareil. Le non-respect de cette consigne pourrait causer des dommages à l'équipement et aux biens.

(000136)

1. Mettez toutes les charges hors tension, puis débranchez les charges électriques des prises du tableau du générateur.
2. Laissez le moteur tourner à vide pendant plusieurs minutes pour stabiliser les températures internes du moteur et du générateur.
3. Mettez le commutateur de marche et d'arrêt à la position OFF (arrêt).
4. Fermez le robinet de carburant.

**REMARQUE :** Dans des conditions normales, fermez le robinet de carburant et permettez au générateur de vider le carburant de la cuve du carburateur. En cas d'urgence, mettez le commutateur à OFF (arrêt).

## Système d'arrêt en cas de niveau d'huile bas

Le moteur est équipé d'un capteur qui arrête automatiquement lorsque l'huile descend au-dessous d'un certain niveau. Le moteur ne fonctionnera pas tant que le réservoir d'huile ne sera pas rempli jusqu'au bon niveau.

Si le moteur s'arrête, mais qu'il y a suffisamment de carburant, vérifiez le niveau d'huile du moteur.

## Section 4 Entretien et dépannage

### Entretien

Un entretien régulier permettra d'améliorer les performances et de prolonger la durée de vie du moteur et de l'équipement. Le fabricant recommande que tous les travaux d'entretien soient effectués par un fournisseur de services d'entretien agréé indépendant (FSEAI). Pour l'entretien régulier, le remplacement ou la réparation des appareils et des systèmes de contrôle des émissions, le propriétaire peut faire appel à la personne ou à l'atelier de réparation de son choix. Toutefois, pour obtenir sans frais un service au titre de la garantie relative au contrôle des émissions, cette tâche doit être confiée à un FSEAI. Consultez la garantie en matière d'émissions.

**REMARQUE :** Communiquez avec le service à la clientèle de Powermate au 1 800 445-1805 si vous avez des questions sur le remplacement de pièces.

### Calendrier d'entretien

Respectez le premier des intervalles d'entretien du calendrier, selon l'utilisation.

**REMARQUE :** Il est nécessaire de procéder à un entretien plus fréquent si l'appareil est utilisé dans des conditions difficiles.

**REMARQUE :** L'entretien et les ajustements devraient être effectués au moment indiqué dans le tableau suivant.

À chaque utilisation
Vérification du niveau d'huile du moteur
Toutes les 100 heures ou chaque saison*
Changement d'huile †
Remplacement du filtre à carburant
Chaque saison
Remplacement de la bougie d'allumage
Vérification du jeu des soupapes***
Toutes les 200 heures ou chaque saison
Inspection et nettoyage du filtre à air**
† Changez l'huile après les 30 premières heures de fonctionnement, puis chaque saison.
* Changez l'huile et le filtre à huile tous les mois lors de l'utilisation sous forte charge ou à des températures élevées.
** Nettoyez plus souvent si l'appareil est utilisé dans un milieu sale ou poussiéreux. Remplacez les pièces du filtre à air si elles ne peuvent pas être nettoyées adéquatement.
*** Vérifiez le jeu des soupapes et, s'il y a lieu, faites les ajustements nécessaires après les 50 premières heures de fonctionnement et toutes les 100 heures par la suite.

### Entretien préventif

La saleté ou les débris peuvent entraîner un mauvais fonctionnement ou causer des dégâts à l'équipement. Nettoyez le générateur tous les jours ou avant chaque utilisation. Gardez la zone autour du silencieux et à l'arrière de celui-ci libre de tout débris combustible. Inspectez toutes les fentes et les ouvertures de refroidissement du générateur.

#### AVERTISSEMENT

N'insérez aucun objet dans les fentes de refroidissement. Le générateur peut se mettre en marche à tout moment et entraîner la mort, des blessures graves ou des dommages.

(000142)

- Essuyez les surfaces externes à l'aide d'un chiffon humide.
- Utilisez une brosse douce pour décoller les saletés, l'huile, etc.
- Récupérez les saletés et les débris à l'aide d'un aspirateur.
- De l'air à basse pression (pas plus de 25 psi) peut être utilisé pour souffler la saleté. Inspectez les fentes et les ouvertures de refroidissement du générateur. Ces ouvertures doivent toujours être propres et non obstruées.

**REMARQUE :** N'utilisez PAS un boyau d'arrosage pour nettoyer le générateur. De l'eau pourrait pénétrer dans le circuit d'alimentation du moteur et causer des problèmes. En outre, si de l'eau pénètre dans le générateur par les fentes de refroidissement, elle pourrait s'accumuler dans les vides et les interstices de l'isolement des enroulements du rotor et du stator. L'accumulation d'eau et de saleté sur les enroulements internes du générateur réduit leur résistance d'isolement.

### Entretien du moteur

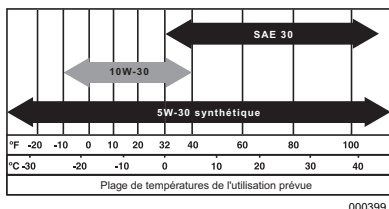
#### AVERTISSEMENT

Démarrage accidentel. Débranchez les câbles de bougie lorsque vous travaillez sur l'appareil. Le non-respect de cette consigne pourrait entraîner la mort ou des blessures graves.

(000141)

### Recommandations en matière d'huile à moteur

Afin que la garantie du produit reste en vigueur, l'entretien de l'huile à moteur doit être fait conformément aux recommandations du présent manuel. Pour un entretien facile, le fabricant offre des trousseaux d'entretien conçus pour cet appareil. Elles comprennent de l'huile à moteur, un filtre à huile, un filtre à air, des bougies d'allumage, un chiffon et un entonnoir. Ces trousseaux sont disponibles auprès d'un fournisseur de services d'entretien agréé indépendant.



000399

## Vérification du niveau d'huile du moteur



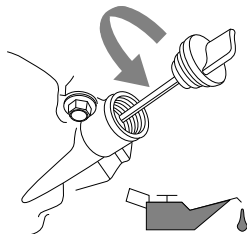
### ⚠ AVERTISSEMENT

Risque de brûlures. Laissez refroidir le moteur avant de vidanger l'huile ou le liquide de refroidissement. Le non-respect de cette consigne pourrait entraîner la mort ou des blessures graves.

(000139)

Vérifiez le niveau d'huile à moteur avant chaque utilisation ou toutes les 8 heures de fonctionnement.

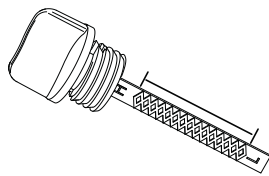
1. Déposez le générateur sur une surface plane.
2. Nettoyez la zone entourant l'orifice de remplissage.
3. Voir la Figure 4-1. Retirez le bouchon de l'orifice de remplissage d'huile et essuyez la jauge.



000115

Figure 4-1. Remplissage de l'huile à moteur

4. Vissez la jauge dans le goulot de remplissage. Retirez la jauge, puis vérifiez que le niveau d'huile se situe dans la plage de fonctionnement sécuritaire. Voir la Figure 4-2.



000116

Figure 4-2. Plage de fonctionnement sécuritaire

5. Ajoutez de l'huile à moteur recommandée si nécessaire.
6. Remplacez le bouchon de l'orifice de remplissage d'huile, puis serrez-le à la main.

**REMARQUE :** Certains appareils comportent plus d'un emplacement pour le remplissage d'huile. Vous pouvez utiliser seulement un emplacement de remplissage d'huile.

## Vidange de l'huile à moteur

### ⚠ AVERTISSEMENT

Démarrage accidentel. Débranchez les câbles de bougie lorsque vous travaillez sur l'appareil. Le non-respect de cette consigne pourrait entraîner la mort ou des blessures graves.

(000141)

Si vous utilisez votre générateur dans un environnement extrêmement sale ou poussiéreux, ou à des températures excessivement chaudes, veillez à changer l'huile plus souvent.

**REMARQUE :** Ne polluez pas. Ménagez les ressources. Rapportez l'huile usagée dans un centre de collecte.

Changez l'huile après avoir utilisé l'appareil, lorsque le moteur est encore chaud. Procédez de la manière suivante :

1. Déposez le générateur sur une surface plane.
2. Débranchez le câble de la bougie d'allumage et placez-le de manière à ce qu'il ne puisse pas entrer en contact avec la bougie.
3. Nettoyez la zone entourant l'orifice de remplissage d'huile et le bouchon de vidange d'huile.
4. Retirez le bouchon de l'orifice de remplissage d'huile.
5. Retirez le bouchon de vidange d'huile et laissez l'huile s'écouler complètement dans un contenant approprié.
6. Installez le bouchon de vidange d'huile, puis serrez-le jusqu'à ce qu'il soit bien en place.
7. Versez l'huile lentement dans l'orifice de remplissage d'huile jusqu'à ce qu'elle atteigne la plage de fonctionnement sécuritaire. NE remplissez PAS trop le réservoir.
8. Remplacez le bouchon de l'orifice de remplissage d'huile, puis serrez-le à la main.
9. Essuyez tout déversement d'huile.
10. Débarrassez-vous de l'huile conformément à tous les règlements applicables.

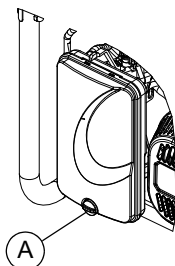
## Filtre à air

Le moteur ne fonctionnera pas correctement et risque d'être endommagé si le filtre à air est encrassé. Entretenez le filtre à air plus souvent si l'appareil est utilisé dans un environnement sale ou poussiéreux.

Pour faire l'entretien du filtre à air :

1. Voir la **Figure 4-3**. Tournez le bouton (A), puis retirez le couvercle du filtre à air.
2. Lavez le filtre à l'eau savonneuse. Séchez le filtre dans un linge propre (NE LE TORDEZ PAS).
3. Nettoyez le couvercle du filtre à air avant de le réinstaller.

**REMARQUE :** Pour commander un nouveau filtre à air, communiquez avec le centre de services d'entretien agréé le plus proche en composant le 1-888-436-3722.



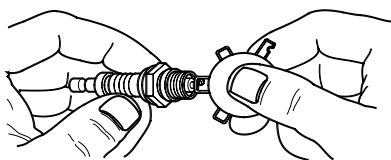
000379

**Figure 4-3. Assemblage du filtre à air**

## Entretien de la bougie d'allumage

Pour faire l'entretien de la bougie d'allumage :

1. Nettoyez la zone autour de la bougie.
2. Enlevez la bougie et faites-en l'inspection.
3. Vérifiez la distance entre les électrodes à l'aide d'une jauge d'épaisseur à fils et remplacez les électrodes de la bougie d'allumage à un écartement de 0,7 mm à 0,8 mm (de 0,028 po à 0,031 po). Voir la **Figure 4-4**.



000211

**Figure 4-4. Bougie d'allumage**

**REMARQUE :** Remplacez la bougie d'allumage si les électrodes sont piquées ou brûlées, ou si la porcelaine est fissurée. Utilisez **UNIQUEMENT** une bougie de rechange recommandée. Voir les caractéristiques techniques.

4. Serrez la bougie à la main, puis serrez-la encore de 3/8 à 1/2 tour à l'aide d'une clé à bougie.

## Inspection du silencieux et du pare-étincelles

**REMARQUE :** Le fait d'utiliser l'appareil sous un couvert forestier ou dans un environnement de brousse ou d'herbes constitue une violation

de l'article 4442 du California Public Resource Code, à moins que le système d'échappement de l'appareil ne soit doté d'un pare-étincelles défini à l'article 4442 et maintenu en état de marche effectif. Des lois semblables peuvent être en vigueur dans d'autres États ou à l'échelle fédérale.

Communiquez avec le fabricant, le détaillant ou le concessionnaire de l'équipement d'origine pour obtenir un pare-étincelles convenant au système d'échappement de cet appareil.

**REMARQUE :** Utilisez **UNIQUEMENT** des pièces de rechange d'origine.

Inspectez le silencieux pour y détecter la présence de fissures, de corrosion ou d'autres dommages. Retirez le pare-étincelles, si l'appareil en est équipé, et inspectez-le pour y déceler des dommages ou des obstructions de carbone. Remplacez des pièces au besoin.

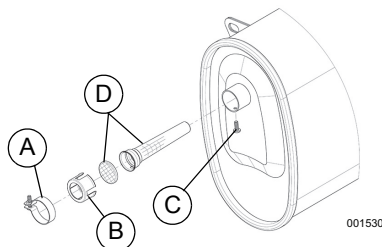
## Inspection de l'écran pare-étincelles (modèles CARB)



### AVERTISSEMENT

Surfaces chaudes. Lorsque vous utilisez l'appareil, ne touchez pas aux surfaces chaudes. Gardez l'appareil loin des matériaux combustibles lorsqu'il fonctionne. Le contact avec des surfaces chaudes pourrait entraîner des brûlures graves ou un incendie. (000108)

1. Voir la **Figure 4-5**. Desserrez la vis, puis retirez la bride de retenue (A) et le dispositif de retenue (B).
2. Retirez la vis du dispositif de retenue (C) du tube de sortie du silencieux.
3. Retirez l'écran (D) et remplacez-le s'il est déchiré, perforé ou endommagé. Si l'écran n'est pas endommagé, nettoyez-le à l'aide d'un solvant commercial.
4. Remplacez l'écran et le dispositif de retenue, puis fixez-les en place avec les vis.
5. Installez la bride de retenue.



001530

**Figure 4-5. Écran pare-étincelles**

## Jeu des soupapes

**REMARQUE IMPORTANTE :** Si vous n'êtes pas à l'aise pour effectuer cette procédure, ou si vous ne disposez pas des outils appropriés, apportez le générateur au centre d'entretien le plus près pour y faire ajuster le jeu des soupapes.

Vérifiez le jeu des soupapes après les 50 premières heures de fonctionnement. Ajustez-le au besoin.

- Admission — 0,1 mm ± 0,02 mm (froid) (0,004 po ± 0,001 po)
- Échappement — 0,15 mm ± 0,02 mm (froid) (0,006 po ± 0,001 po)

## Entreposage

### Informations générales



#### **▲ DANGER**

Explosion et incendie. Le carburant et ses vapeurs sont extrêmement inflammables et explosifs. Entrepochez le carburant dans un endroit bien aéré. Gardez-le loin du feu et des étincelles. Le non-respect de cette consigne entraînera la mort ou des blessures graves. (000143)



#### **▲ AVERTISSEMENT**

Risque d'incendie. Vérifiez que l'appareil a bien refroidi avant d'installer une protection de rangement et d'entreposer l'appareil. Le contact avec des surfaces chaudes pourrait entraîner un incendie. (000109)

Il est recommandé de démarrer le générateur tous les 30 jours et de le laisser fonctionner pendant 30 minutes. Si c'est impossible, consultez la liste suivante pour préparer l'entreposage du générateur.

- NE placez PAS une housse d'entreposage sur un générateur chaud. Laissez refroidir complètement l'appareil avant de l'entreposer.
- N'entreposez PAS de carburant d'une saison à l'autre, sauf s'il est traité convenablement.
- Remplacez le récipient de carburant si vous observez la présence de rouille. La rouille dans le carburant causera des problèmes dans le système de carburant.
- Couvrez l'appareil d'une housse de protection résistante à l'humidité.
- Entrepochez l'appareil dans un endroit propre et sec.
- Entrepochez toujours le générateur et le carburant loin des sources de chaleur et d'étincelles.

## Préparation du système de carburant pour l'entreposage

Du carburant entreposé pendant plus de 30 jours peut se dégrader et endommager les composants du système de carburant. Pour empêcher le carburant de se dégrader, ajoutez-y du stabilisateur.

Si vous ajoutez un stabilisateur de carburant au système, vous devez préparer le moteur pour un entreposage à long terme. Faites fonctionner le moteur pendant 10 à 15 minutes pour faire circuler le stabilisateur à travers le système de carburant. Du carburant adéquatement préparé peut être entreposé jusqu'à 24 mois.

**REMARQUE :** Si vous n'avez pas ajouté de stabilisateur au carburant, vous devez le vidanger dans un contenant approprié. Faites démarrer le moteur et laissez-le fonctionner jusqu'à ce qu'il s'arrête pour cause de panne d'essence. Il est recommandé d'ajouter un stabilisateur de carburant au réservoir pour empêcher la détérioration du carburant.

1. Vidangez l'huile du moteur.
2. Retirez la bougie d'allumage.
3. Versez une cuillère à soupe (15 ml) d'huile à moteur propre ou vaporisez un agent voilant approprié dans le cylindre.



#### **▲ AVERTISSEMENT**

Perte de la vision. Une protection oculaire est requise pour éviter les projections provenant du trou de bougie d'allumage pendant le lancement du moteur. Ne pas porter de protection oculaire pourrait entraîner la perte de la vision. (000181)

4. Tirez plusieurs fois le lanceur à rappel pour répartir l'huile dans le cylindre.
5. Installez la bougie d'allumage.
6. Tirez lentement le lanceur à rappel jusqu'à ce qu'une résistance se fasse sentir. De cette manière, vous fermez les soupapes, de sorte que l'humidité ne puisse pas pénétrer dans le cylindre du moteur. Relâchez doucement le lanceur à rappel.

## Vidange d'huile

Changez l'huile à moteur avant l'entreposage. Voir la section [Vidange de l'huile à moteur](#).

## Dépannage

PROBLÈME	CAUSE	SOLUTION
Le moteur fonctionne, mais aucun courant alternatif n'est produit.	<ol style="list-style-type: none"> <li>1. Le disjoncteur est OUVERT.</li> <li>2. La connexion est mauvaise ou le cordon amovible est défectueux.</li> <li>3. L'appareil branché est défectueux.</li> <li>4. Le générateur est défectueux.</li> <li>5. La prise avec disjoncteur différentiel de fuite à la terre (DDFT, si l'appareil en est équipé) est OUVERTE.</li> </ol>	<ol style="list-style-type: none"> <li>1. Réinitialisez le disjoncteur.</li> <li>2. Vérifiez et réparez.</li> <li>3. Branchez un autre appareil en bon état.</li> <li>4. Communiquez avec un FSEAI.</li> <li>5. Corrigez le défaut de mise à la terre, puis appuyez sur le bouton de réenclenchement du DDFT (si l'appareil en est équipé).</li> </ol>
Le moteur fonctionne correctement à vide, mais il éprouve de la difficulté lorsqu'il doit fournir de la puissance.	<ol style="list-style-type: none"> <li>1. Il y a un court-circuit dans l'une des charges branchées.</li> <li>2. Le générateur est surchargé.</li> <li>3. Le régime du moteur est trop bas.</li> <li>4. Le générateur a subi un court-circuit.</li> <li>5. Le filtre à carburant est encrassé.</li> </ol>	<ol style="list-style-type: none"> <li>1. Débranchez la charge électrique court-circuitée.</li> <li>2. Voir la section <b>Connaissance des limites du générateur</b>.</li> <li>3. Communiquez avec un FSEAI.</li> <li>4. Communiquez avec un FSEAI.</li> <li>5. Remplacez le filtre à carburant.</li> </ol>
Le moteur ne démarre pas, ou démarre et connaît des défaillances.	<ol style="list-style-type: none"> <li>1. Le commutateur de marche et d'arrêt est à la position OFF (arrêt).</li> <li>2. Le robinet d'arrêt de carburant est à la position OFF (fermé).</li> <li>3. Le filtre à air est encrassé.</li> <li>4. Il n'y a plus de carburant.</li> <li>5. Le carburant est éventé.</li> <li>6. Le câble de bougie n'est pas branché à la bougie.</li> <li>7. La bougie est défectueuse.</li> <li>8. Il y a de l'eau dans le carburant.</li> <li>9. Il y a surétrangement.</li> <li>10. Le niveau d'huile est bas.</li> <li>11. Le mélange de carburant est trop riche.</li> <li>12. La soupape d'admission est bloquée en position ouverte ou fermée.</li> <li>13. Le moteur a perdu de la compression.</li> <li>14. Le filtre à carburant est encrassé.</li> </ol>	<ol style="list-style-type: none"> <li>1. Placez le commutateur de marche et d'arrêt à la position ON (marche).</li> <li>2. Mettez le robinet d'arrêt de carburant à la position ON (ouvert).</li> <li>3. Nettoyez ou remplacez le filtre à air.</li> <li>4. Remplissez le réservoir de carburant.</li> <li>5. Vidangez le réservoir de carburant et remplissez-le de carburant neuf.</li> <li>6. Branchez le câble à la bougie d'allumage.</li> <li>7. Remplacez la bougie d'allumage.</li> <li>8. Vidangez le réservoir de carburant et remplissez-le de carburant neuf.</li> <li>9. Mettez le levier d'étrangleur en position No Choke (aucun étrangleur).</li> <li>10. Remplissez le carter du moteur jusqu'au niveau approprié.</li> <li>11. Communiquez avec un FSEAI.</li> <li>12. Communiquez avec un FSEAI.</li> <li>13. Communiquez avec un FSEAI.</li> <li>14. Remplacez le filtre à carburant.</li> </ol>
Le moteur s'arrête pendant le fonctionnement.	<ol style="list-style-type: none"> <li>1. Il n'y a plus de carburant.</li> <li>2. Le niveau d'huile est bas.</li> <li>3. Le moteur est défectueux.</li> </ol>	<ol style="list-style-type: none"> <li>1. Remplissez le réservoir de carburant.</li> <li>2. Remplissez le carter du moteur jusqu'au niveau approprié.</li> <li>3. Communiquez avec un FSEAI.</li> </ol>
Le moteur manque de puissance.	<ol style="list-style-type: none"> <li>1. La charge est trop élevée.</li> <li>2. Le filtre à air est encrassé.</li> <li>3. Le moteur a besoin d'être entretenu.</li> <li>4. Le filtre à carburant est encrassé.</li> </ol>	<ol style="list-style-type: none"> <li>1. Réduisez la charge (voir la section <b>Connaissance des limites du générateur</b>).</li> <li>2. Nettoyez ou remplacez le filtre à air.</li> <li>3. Communiquez avec un FSEAI.</li> <li>4. Remplacez le filtre à carburant.</li> </ol>
Le moteur a des sautes de régime ou hésite.	<ol style="list-style-type: none"> <li>1. L'étrangleur est ouvert trop tôt.</li> <li>2. Le carburateur fonctionne avec un mélange de carburant trop riche ou trop pauvre.</li> </ol>	<ol style="list-style-type: none"> <li>1. Réglez l'étrangleur en position intermédiaire jusqu'à ce que le moteur fonctionne en douceur.</li> <li>2. Communiquez avec un FSEAI.</li> </ol>



---

## Notes







No de pièce 10000001749      Rév. B 17/05/16 ©  
Powermate, 2016. Tous droits réservés.  
Les caractéristiques techniques peuvent être  
modifiées sans préavis.  
Aucune reproduction n'est autorisée sous quelque  
forme que ce soit sans le consentement écrit  
préalable de Powermate.

Powermate, LLC  
S45 W29290 Hwy. 59  
Waukesha, WI 53189  
1-800-445-1805  
[www.powermate.com](http://www.powermate.com)