

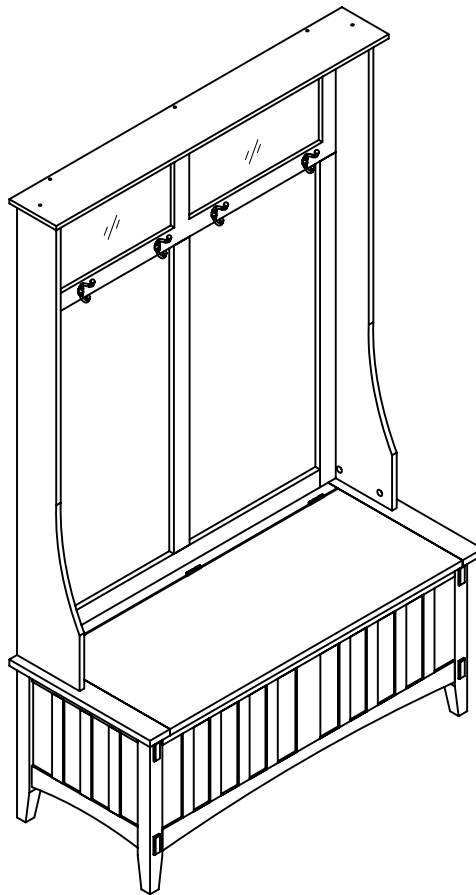
HOME DECORATORS COLLECTION

SK17476 ARTISAN DOUBLE HALL TREE 42.5"Wx18"Dx69"H

INV#92327

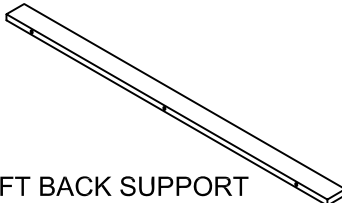
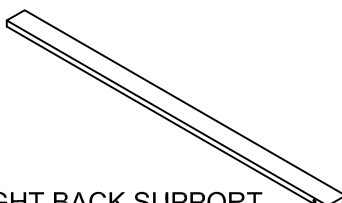
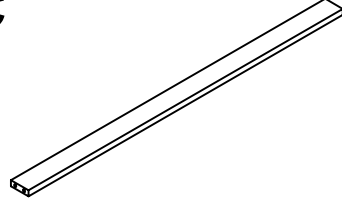
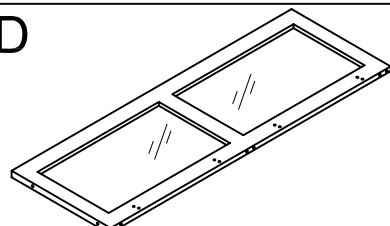
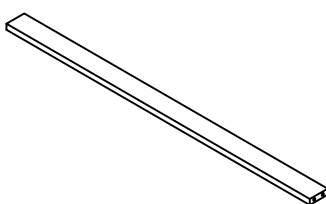
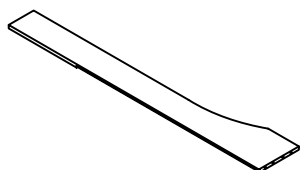
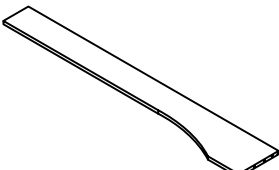
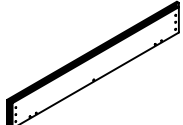
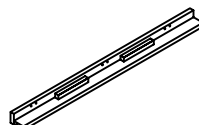
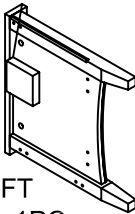
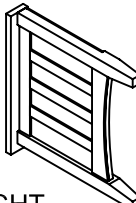
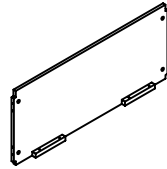
ASSEMBLY INSTRUCTIONS

Made In China

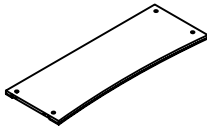


Thank you for purchasing this quality product. Be sure to check all packing material carefully for small parts, which may have come loose inside the carton during shipment. Count all parts and material hardware, then compare with parts list to be sure all parts are present. If any parts are missing or damaged, phone, fax, or mail to our Customer Service Department for efficient and speedy service. Please indicate the model number and code letter of part(s) needed.

IMPORTANT NOTE: Follow instructions listed below in proper sequence as numbered to assure fast, easy and correct assembly.

PARTS LIST		
A  LEFT BACK SUPPORT SLAT-1PC	B  RIGHT BACK SUPPORT SLAT-1PC	C  BACK SUPPORT SLAT-1PC
D  TOP MIRROR FRAME-1PC	E  MIDDLE BACK SUPPORT SLAT-1PC	F  UPPER LEFT SIDE PANEL-1PC
G  UPPER RIGHT SIDE PANEL-1PC	H  TOP PANEL-1PC	I  LOWER BACK SUPPORT SLAT -1PC
J  BOTTOM LEFT SIDE PANEL-1PC	K  BOTTOM RIGHT SIDE PANEL-1PC	L  BOTTOM PANEL-1PC

M



FRONT PANEL-1PC

N



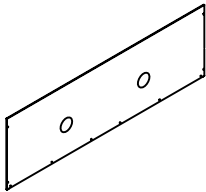
UPPER RIGHT BACK
PANEL-1PC

O



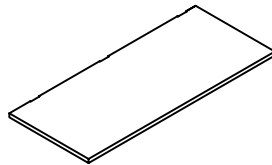
UPPER LEFT BACK
PANEL-1PC

P




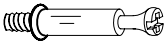



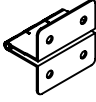

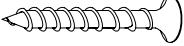
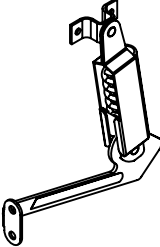
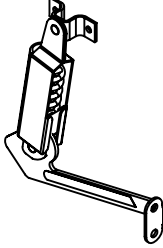
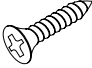





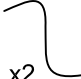
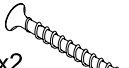
LOWER BACK PANEL-1PC

Q



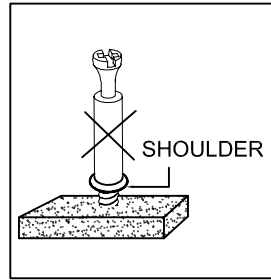
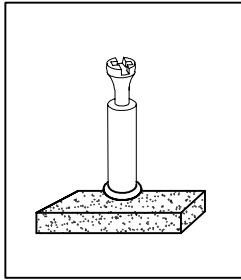
SEAT PANEL-1PC

NOTE:THE SURFACE WITH THE STICKER IS THE BACK SIDE

<p>a</p>  <p>WOOD DOWEL-40PCS</p>	<p>b</p>  <p>CAM LOCK BOLT-14PCS</p>	<p>c</p>  <p>CAM LOCK-14PCS</p>
<p>d</p>  <p>5/8"L ROUND HEAD SCREW-39PCS</p>	<p>e</p>  <p>PLASTIC COVER-8PCS</p>	<p>f</p>  <p>HINGE-3PCS</p>
<p>g</p>  <p>METAL PLATE-11PCS</p>	<p>h</p>  <p>1-1/4" FLAT HEAD SCREW-5PCS</p>	<p>i</p>  <p>LEFT SAFETY HINGE -1PC</p>
<p>j</p>  <p>RIGHT SAFETY HINGE -1PC</p>	<p>k</p>  <p>1/2"L FLAT HEAD SCREW-28PCS</p>	<p>l</p>  <p>HOOK-4PCS</p>
<p>m</p>  <p>1"L FLAT HEAD SCREW-4PCS</p>	<div style="display: flex; justify-content: space-around; align-items: flex-start;"> <div style="text-align: center;"> <p>1</p>  <p>x4 RECTANGLE METAL PLATE</p> </div> <div style="text-align: center;"> <p>2</p>  <p>x2 1/2"L FLAT HEAD SCREW</p> </div> <div style="text-align: center;"> <p>3</p>  <p>x2 PLASTIC ANCHOR</p> </div> <div style="text-align: center;"> <p>4</p>  <p>x2 PLASTIC BAND</p> </div> <div style="text-align: center;"> <p>5</p>  <p>x2 1-1/2"L FLAT HEAD SCREW</p> </div> </div> <p style="text-align: center;">ANTI-TIPPING HARDWARE PACKAGE</p>	

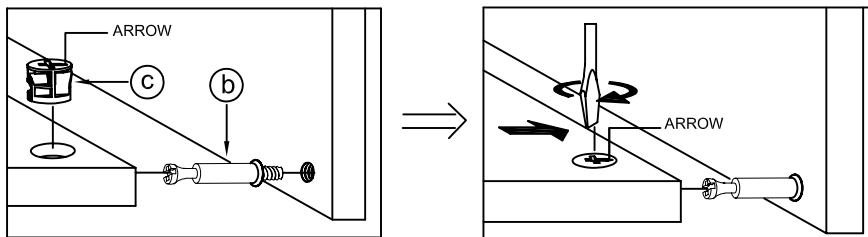
NOTE:THE SURFACE WITH THE STICKER IS THE BACK SIDE

NOTE: • UPON OPENING, THOROUGHLY CLEAN ALL WOOD SURFACES TO REMOVE DUST AND DIRT THAT MAY HAVE SETTLED ONTO THE FINISH DURING SHIPMENT. IN ORDER TO PREVENT DAMAGE DURING ASSEMBLY. PLEASE ASSEMBLE THIS ITEM WITH AT LEAST TWO PEOPLE.



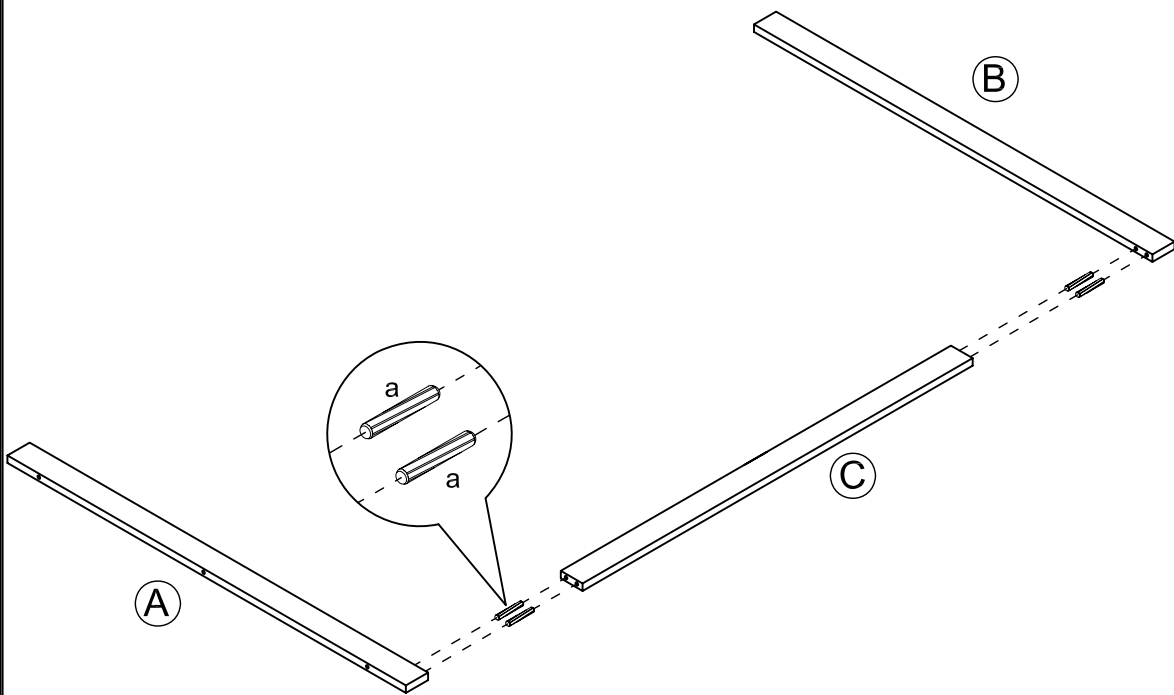
NOTE: TURN THE CAM-BOLT SCREWS UNTIL THEY ARE TIGHT, THE SHOULDER SHOULD BE AGAINST THE SURFACE OF THE PART.

HOW TO USE THE CAM-TOOL



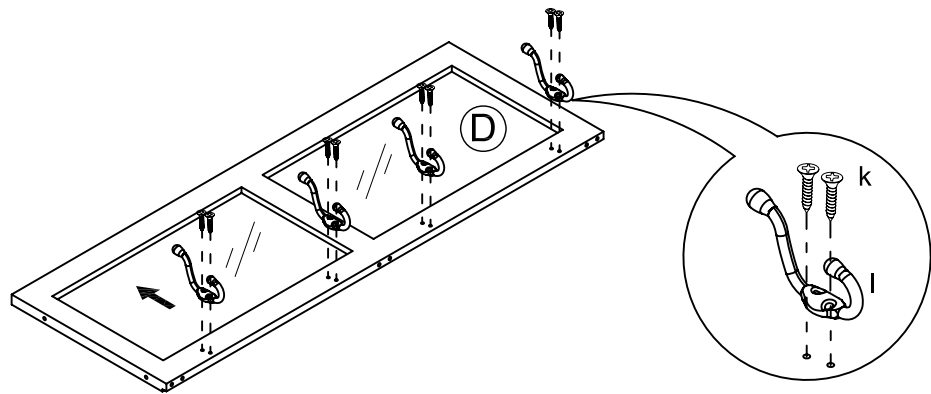
NOTE: • THE ARROWS ON THE HIDDEN CAM-LOCKS SHOULD POINT TO THE CAM-BOLTS.

FIG 1



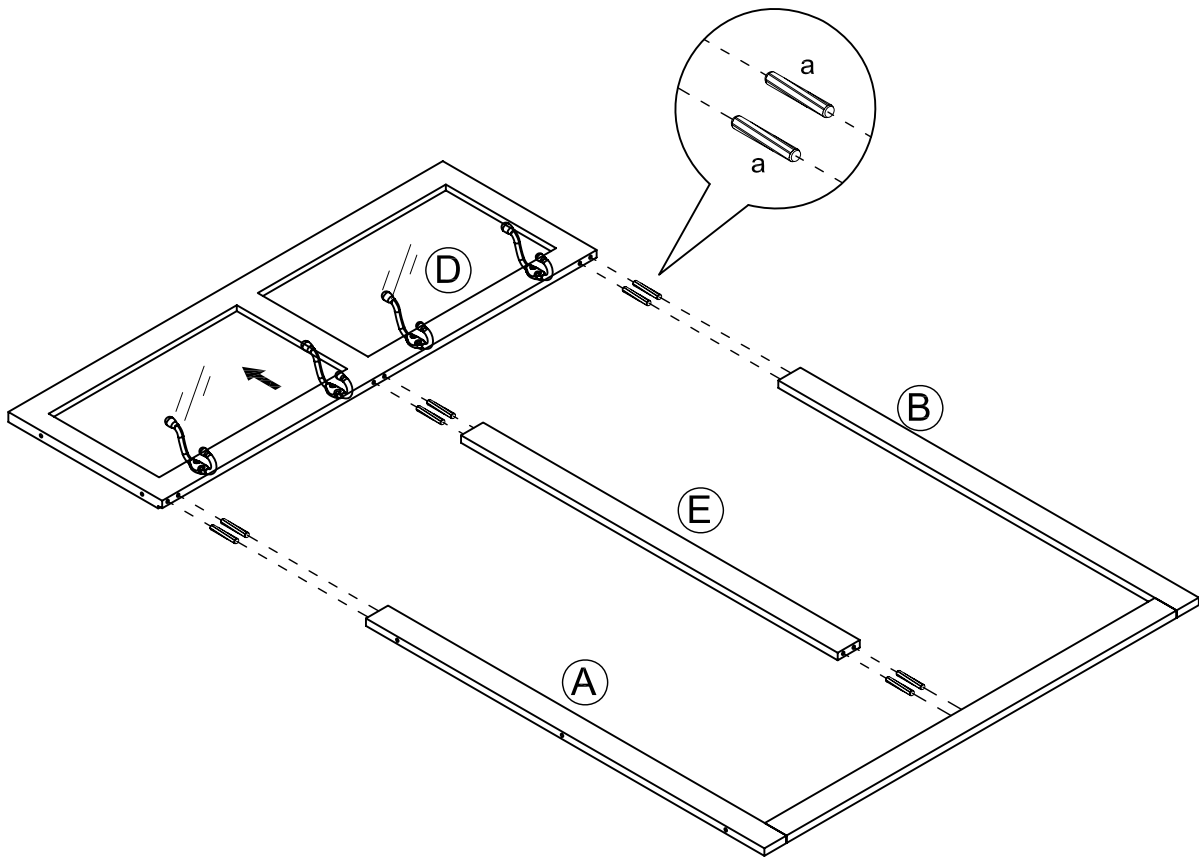
- JOIN THE BACK SUPPORT SLAT (C) TO THE LEFT BACK SUPPORT SLAT (A) AND THE RIGHT BACK SUPPORT SLAT (B) BY USING THE WOOD DOWEL (a).

FIG 2



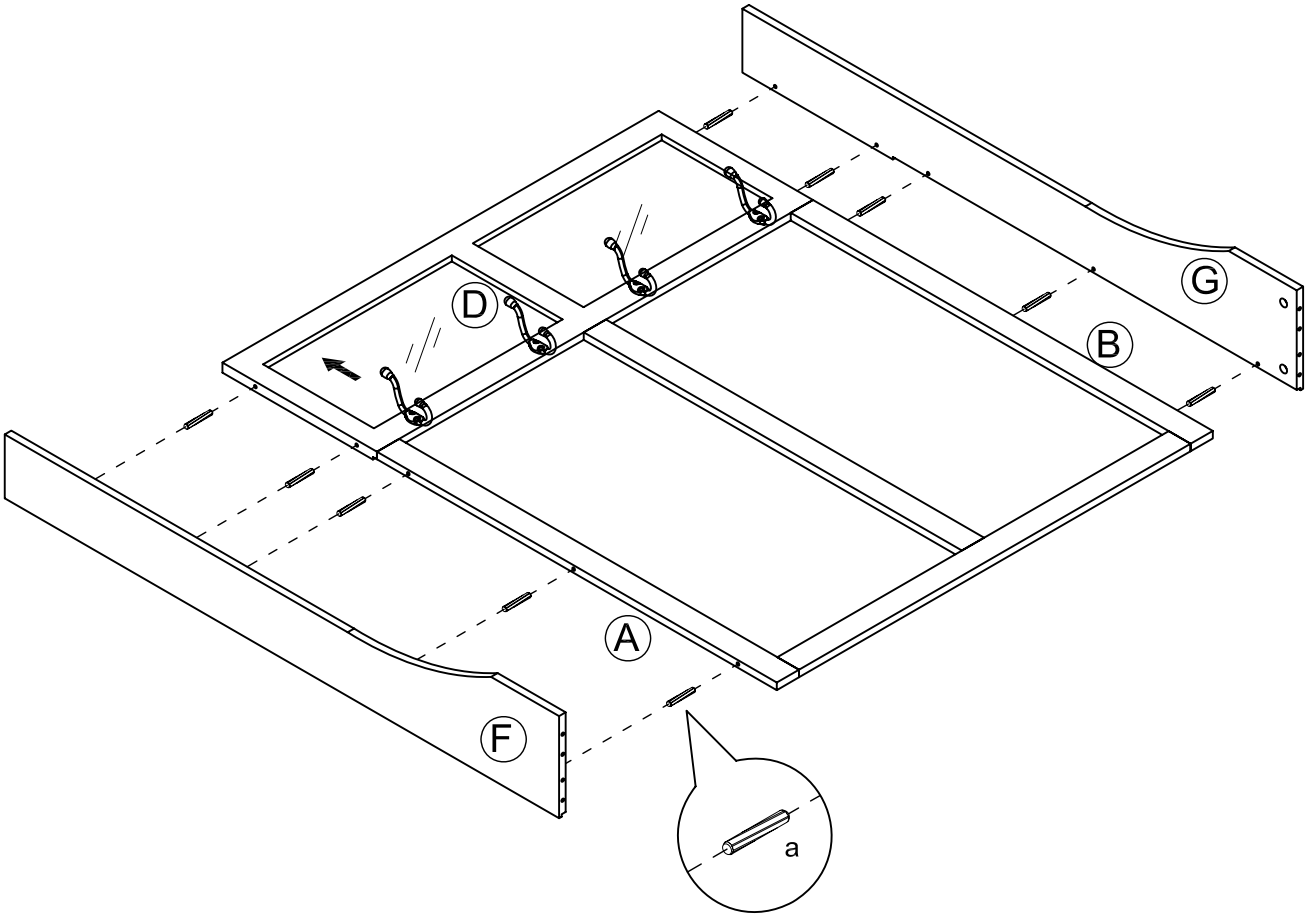
- TIGHTEN THE HOOK (I) ONTO THE TOP MIRROR FRAME (D) BY USING 1/2" FLAT HEAD SCREW (k) THROUGH PRE-DILLED HOLES.

FIG 3



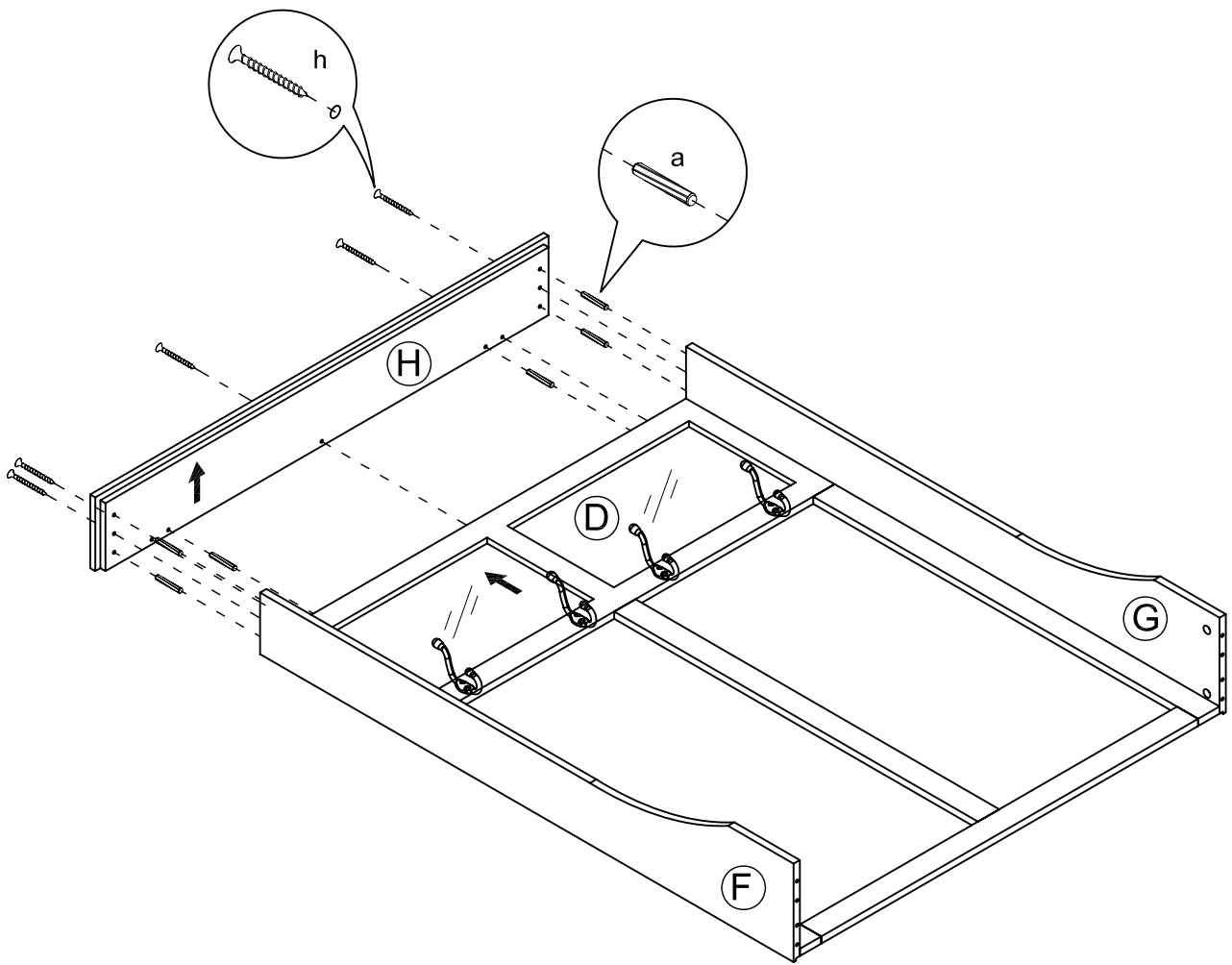
- JOIN THE MIDDLE BACK SUPPORT SLAT (E) AND THE TOP MIRROR FRAME (D) TO THE ASSEMBLED PART BY USING THE WOOD DOWEL (a).

FIG 4



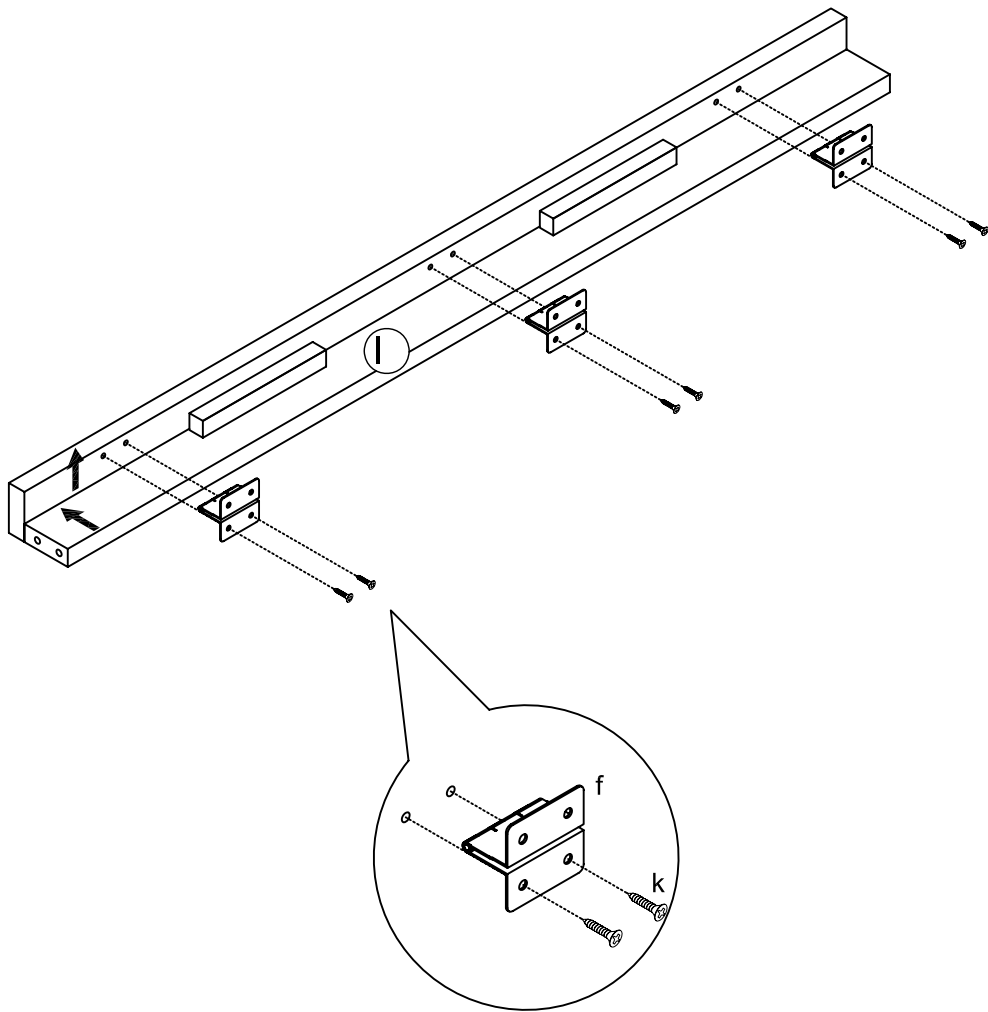
- JOIN THE UPPER LEFT SIDE PANEL (F) AND THE UPPER RIGHT SIDE PANEL (G) TO THE ASSEMBLED PART BY USING THE WOOD DOWEL (a).

FIG 5



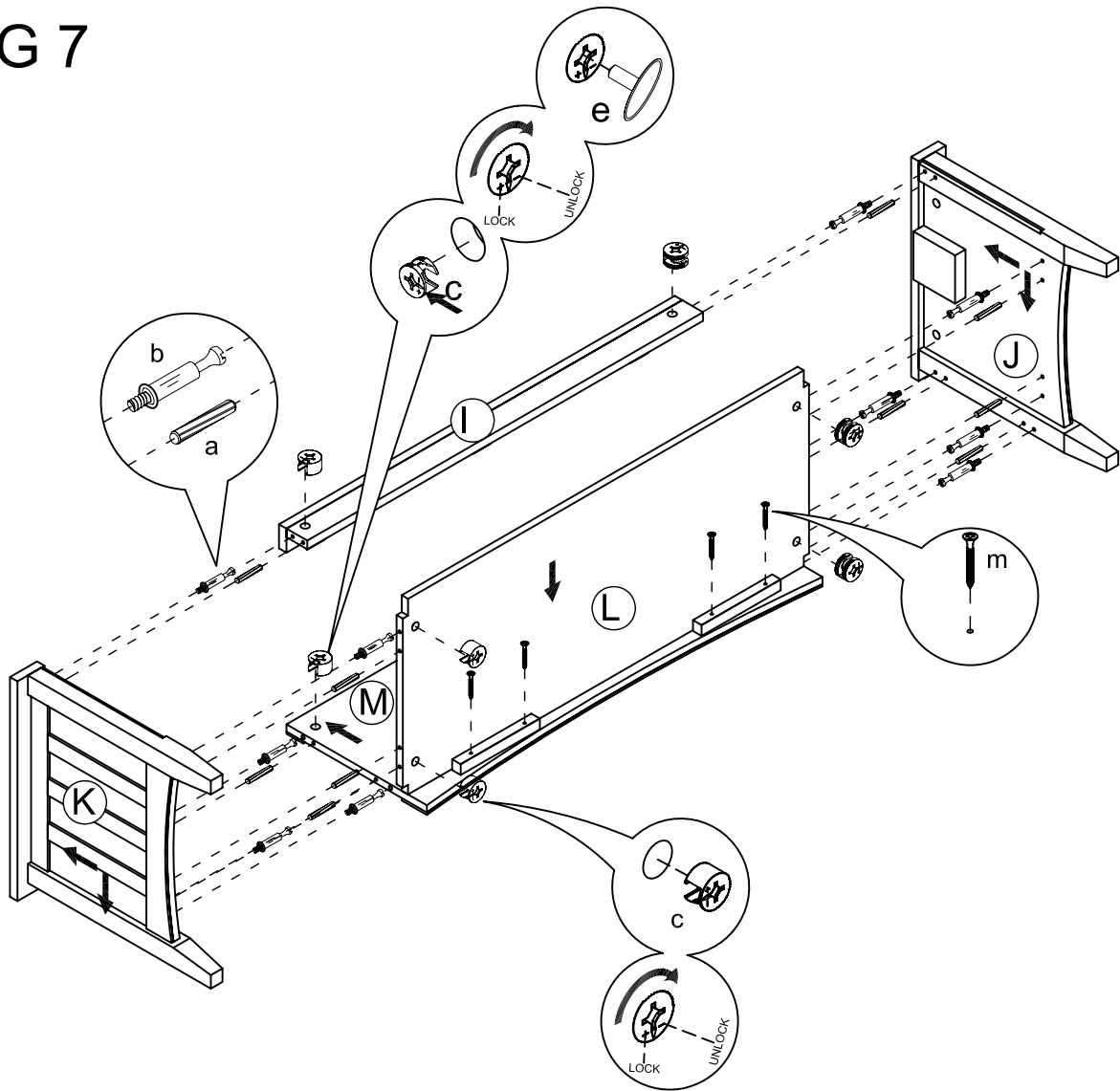
- JOIN THE TOP PANEL (H) TO THE ASSEMBLED PART BY USING THE WOOD DOWEL (a) FIRST.
- TIGHTEN THE TOP PANEL (H) AND THE ASSEMBLED PART BY USING 1-1/4" FLAT HEAD SCREW (h).

FIG 6



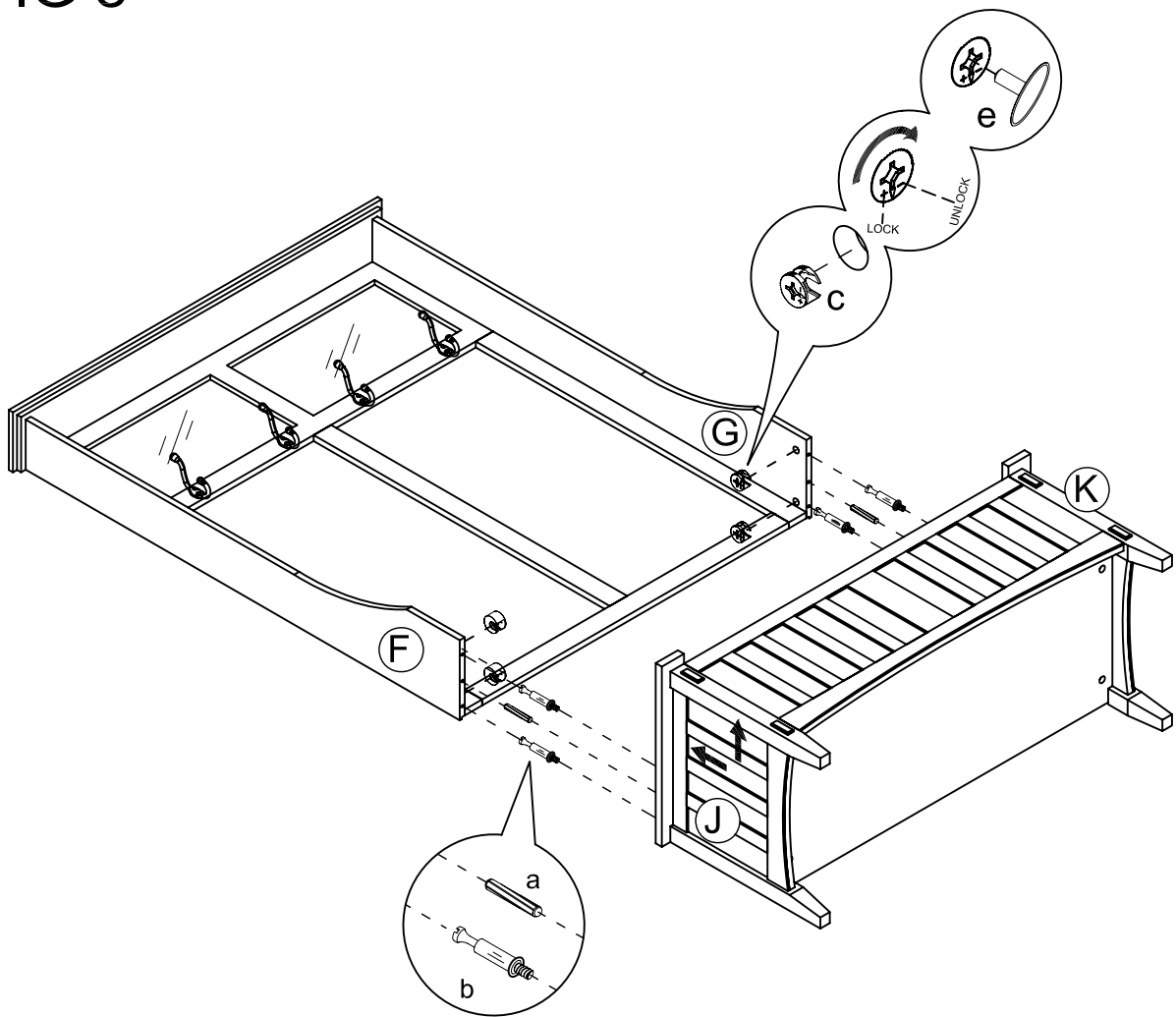
- ATTACH HINGE (f) TO THE LOWER BACK SUPPORT SLAT (I) BY USING 1/2" FLAT HEAD SCREW (k) THROUGH PRE-DILLED HOLES.

FIG 7



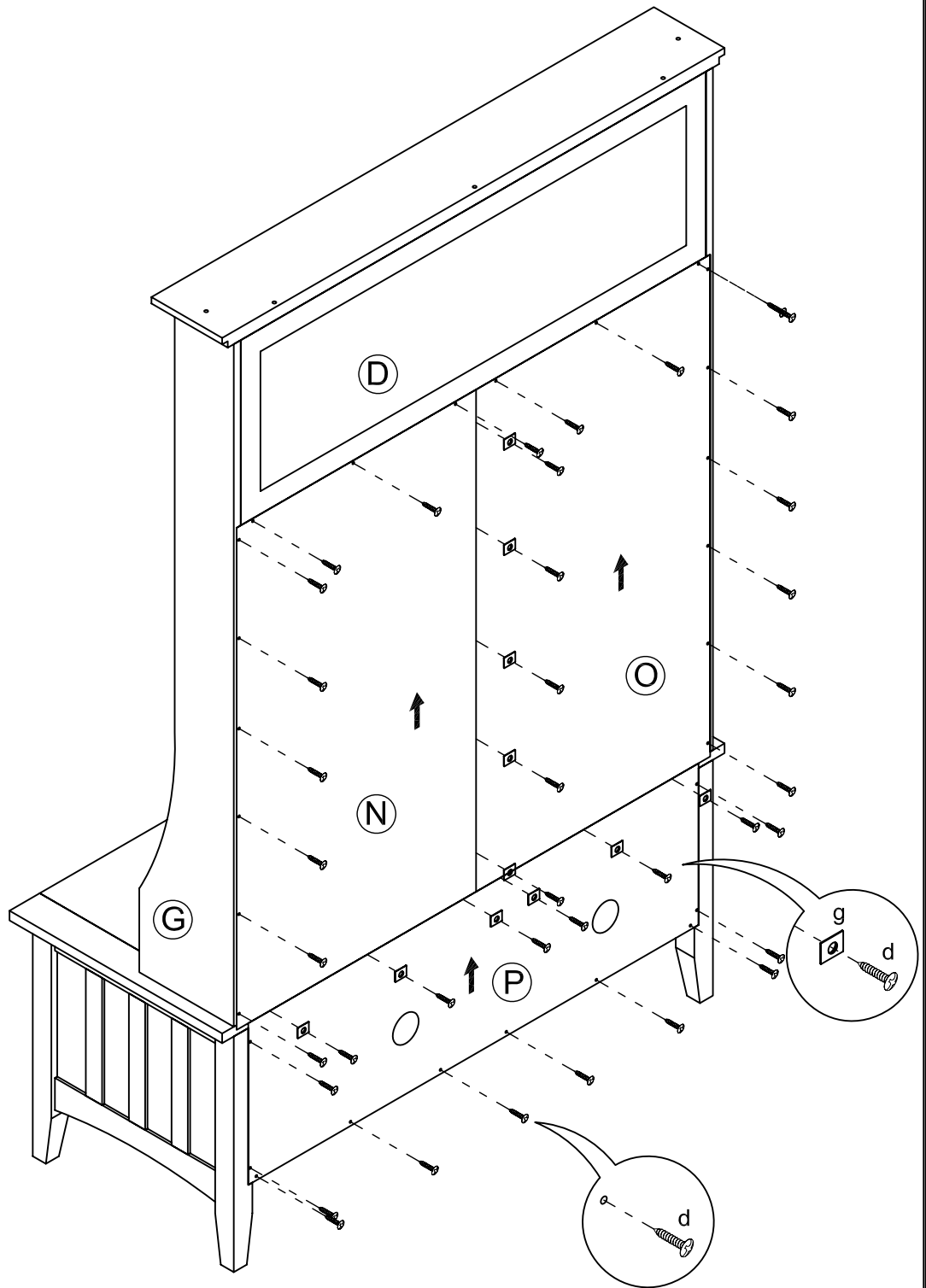
- INSTALL THE WOODEN DOWEL (a) AND THE CAM LOCK BOLT (b) INTO THE BOTTOM LEFT SIDE PANEL(J) AND THE BOTTOM RIGHT SIDE PANEL (K).
- JOIN THE LOWER BACK SUPPORT SLAT (I) AND THE BOTTOM PANEL (L) AND THE FRONT PANEL (M) TO THE BOTTOM LEFT SIDE PANEL (J) AND BOTTOM RIGHT SIDE PANEL (K) BY USING THE WOOD DOWEL (a) FIRST.
- ONCE JOINED,TIGHTEN CAM LOCK (c) ONTO BOLT (b) USING PRE-DRILLDE HOLES.
- COVER CAM HOLES ON THE FRONT PANEL (M) WITH THE PLASTIC COVER (e).
- TIGHTEN THE BOTTOM (L) AND THE FRONT PANEL (M)BY USING 1"L FLAT HEAD SCREW (m).

FIG 8



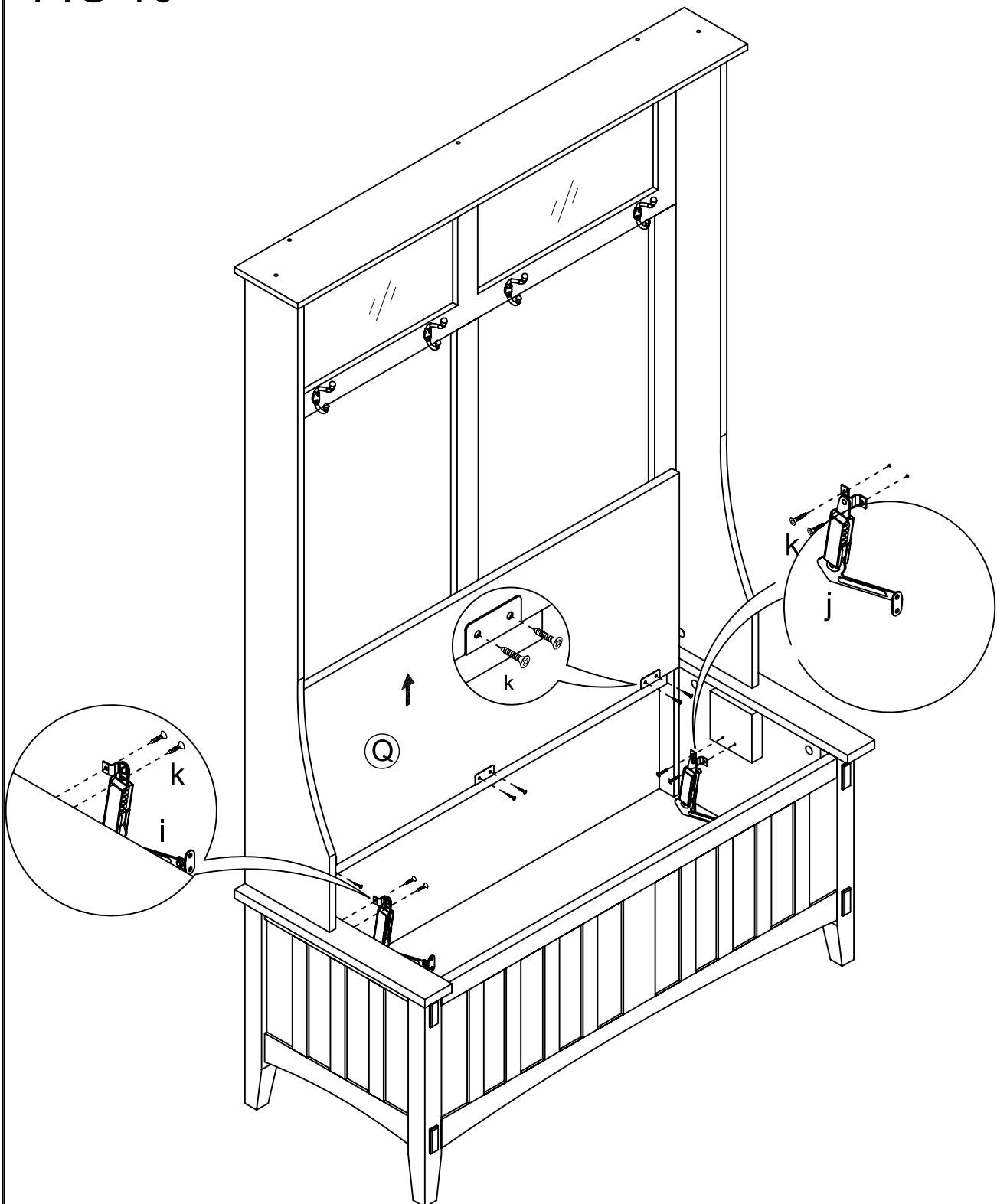
- INSTALL THE WOODEN DOWEL (a) AND THE CAM LOCK BOLT (b) INTO THE BOTTOM LEFT SIDE PANEL(J) AND THE BOTTOM RIGHT SIDE PANEL (K).
- JOIN TWO ASSEMBLED PARTS BY USING THE WOOD DOWEL (a) FIRST.
- ONCE JOINED, TIGHTEN CAM LOCK (c) ONTO BOLT (b) USING PRE-DRILLDE HOLES.
- COVER CAM HOLES WITH THE PLASTIC COVER (e).

FIG 9



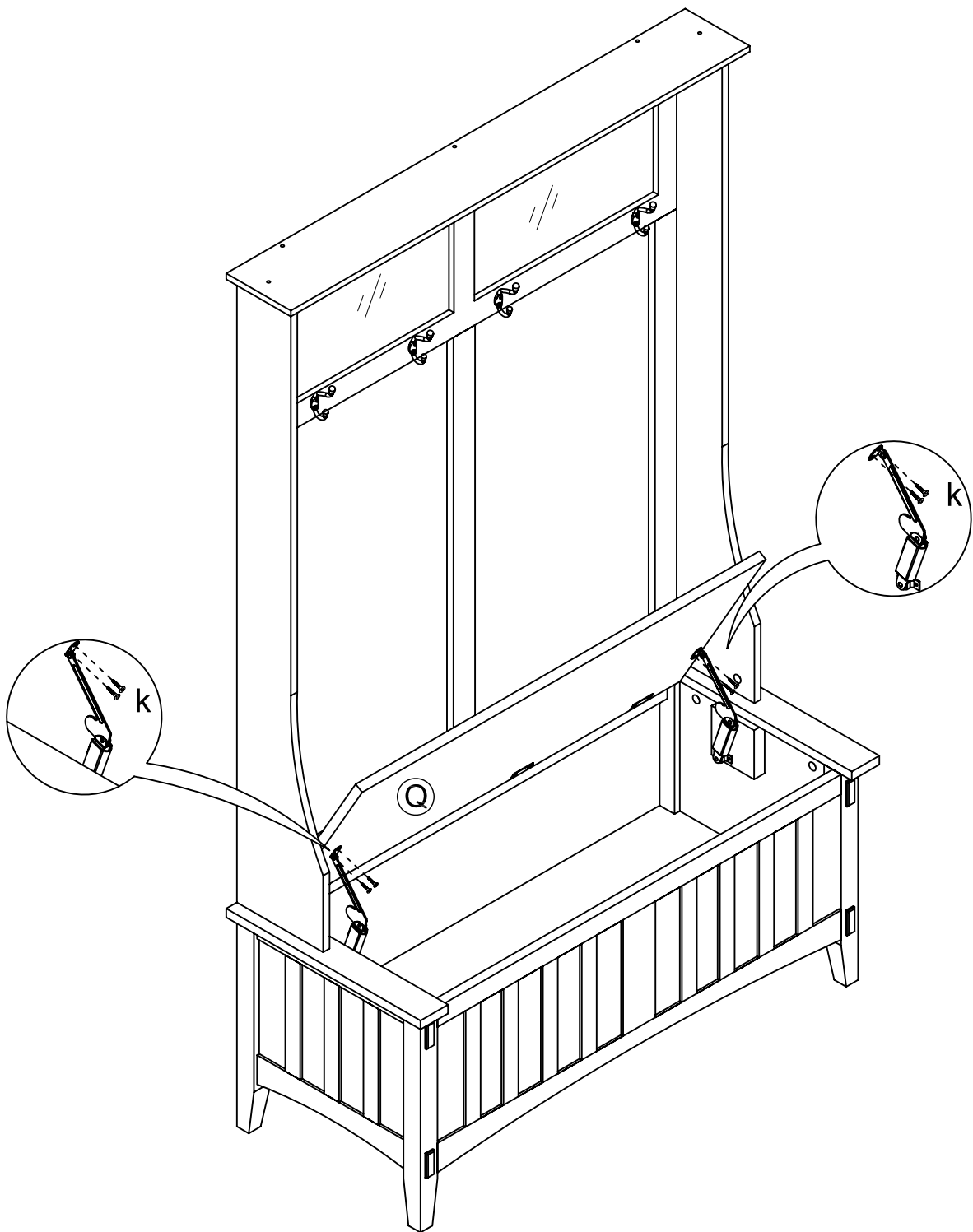
- TIGHTEN THE UPPER RIGHT BACK PANEL (N),THE UPPER LEFT BACK PANEL (O),AND THE LOWER BACK PANEL (P),AND THE METAL PLATE (g) BY USING THE 5/8" ROUND HEAD SCREW (d).

FIG 10



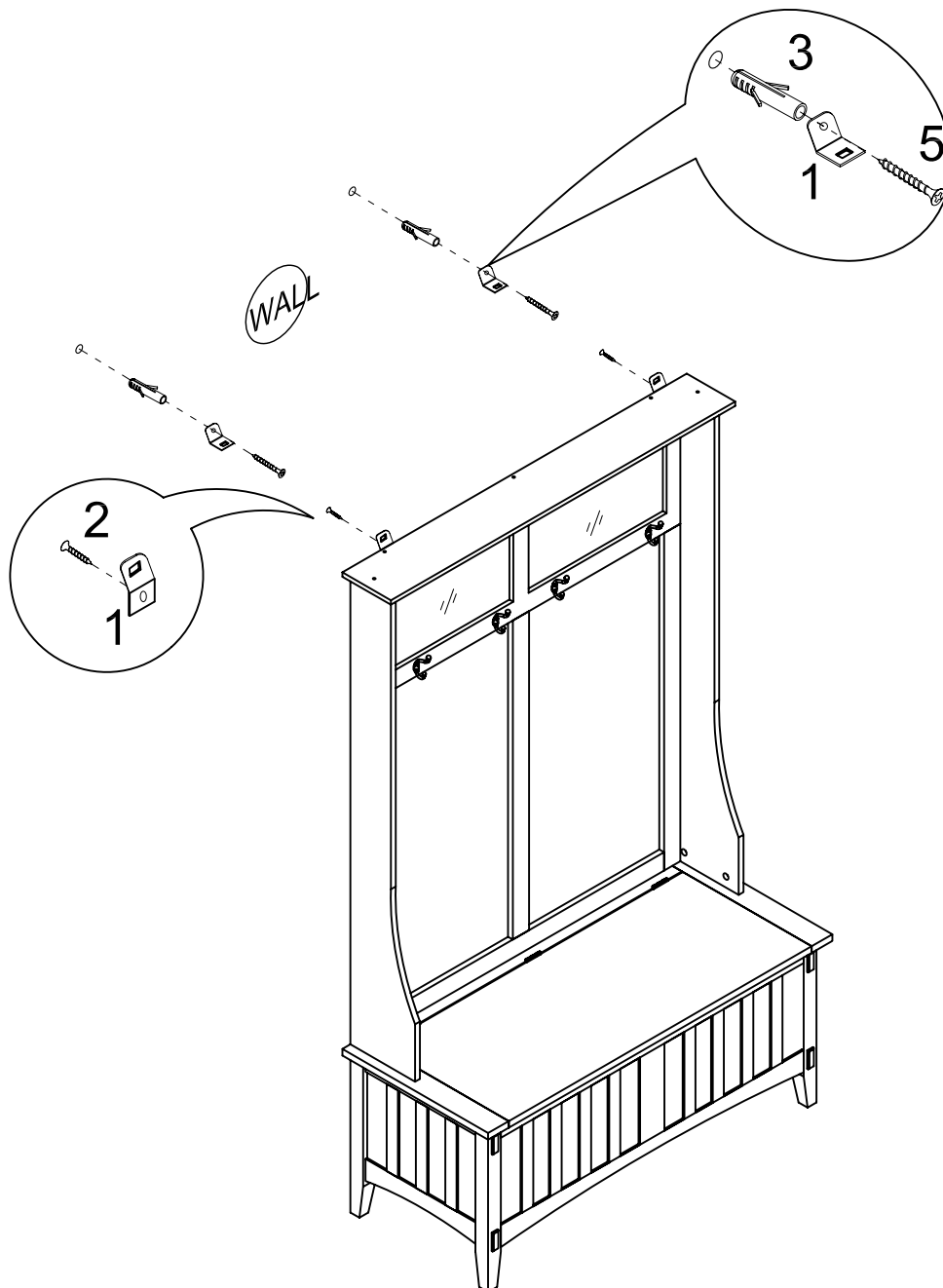
- ATTACH THE SEAT PANEL (Q) TO HINGE BY USING 1/2" FLAT HEAD SCREW (k).
- ATTACH LEFT SAFETY HINGE (i) AND RIGHT SAFETY HINGE (j) TO BOTTOM LEFT SIDE PANEL (J) AND BOTTOM RIGHT SIDE PANEL (K) BY USING 1/2" FLAT HEAD SCREW (k).

FIG 11



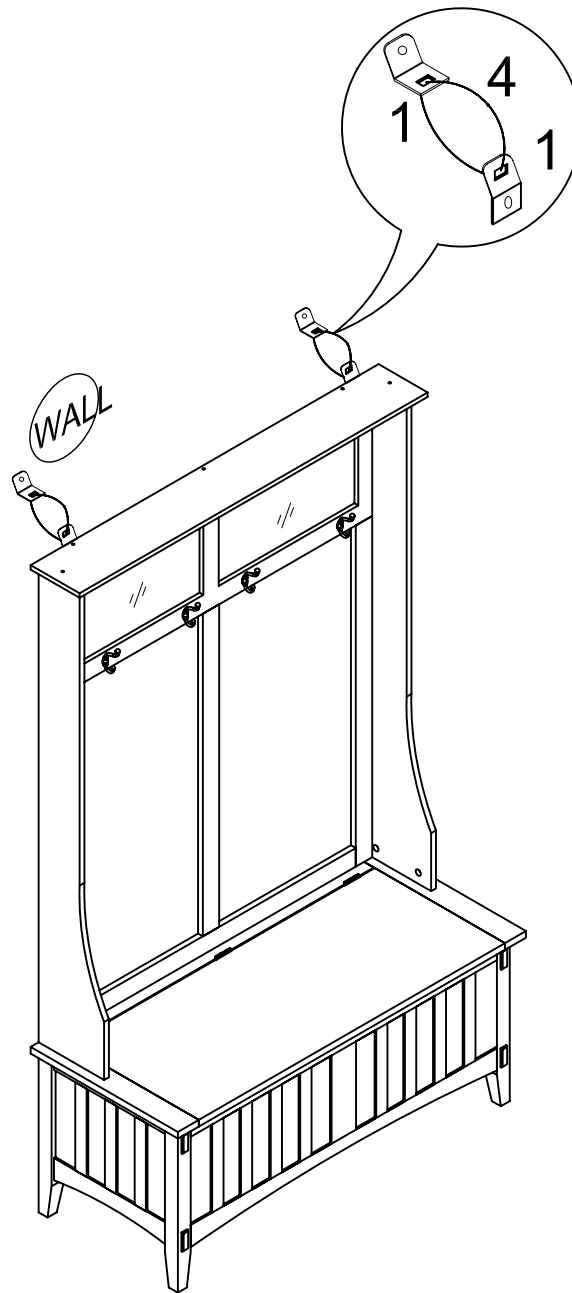
- ATTACH LEFT SAFETY HINGE (i) AND RIGHT SAFETY HINGE (j) TO SEAT PANEL (Q) BY USING 1/2" FLAT HEAD SCREW (k).

FIG 12



- TIGHTEN THE RECTANGLE METAL PLATE (1) TO THE REAR OF THE TOP PANEL (H) BY USING 1/2" FLAT HEAD SCREW (2).
- PLACE THE ASSEMBLED STORAGE LOCKER AT THE DESIRED POSITION. MARK THE INSERTION POINTS FOR THE PLASTIC ANCHOR (3).
- USING THE PROPER HARDWARE FOR YOUR WALL TYPE AND DRILL 1/4" HOLES INTO THE WALL.
- TIGHTEN THE RECTANGLE METAL PLATE (1) TO THE PLASTIC ANCHOR (3) BY USING THE 1-1/2" FLAT HEAD SCREW (5).

FIG 13



- USING THE PLASTIC BAND (4) CONNECT TWO RECTANGLE METAL PLATES (1).