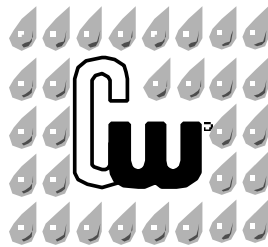


Model 500

Illustrated Installation

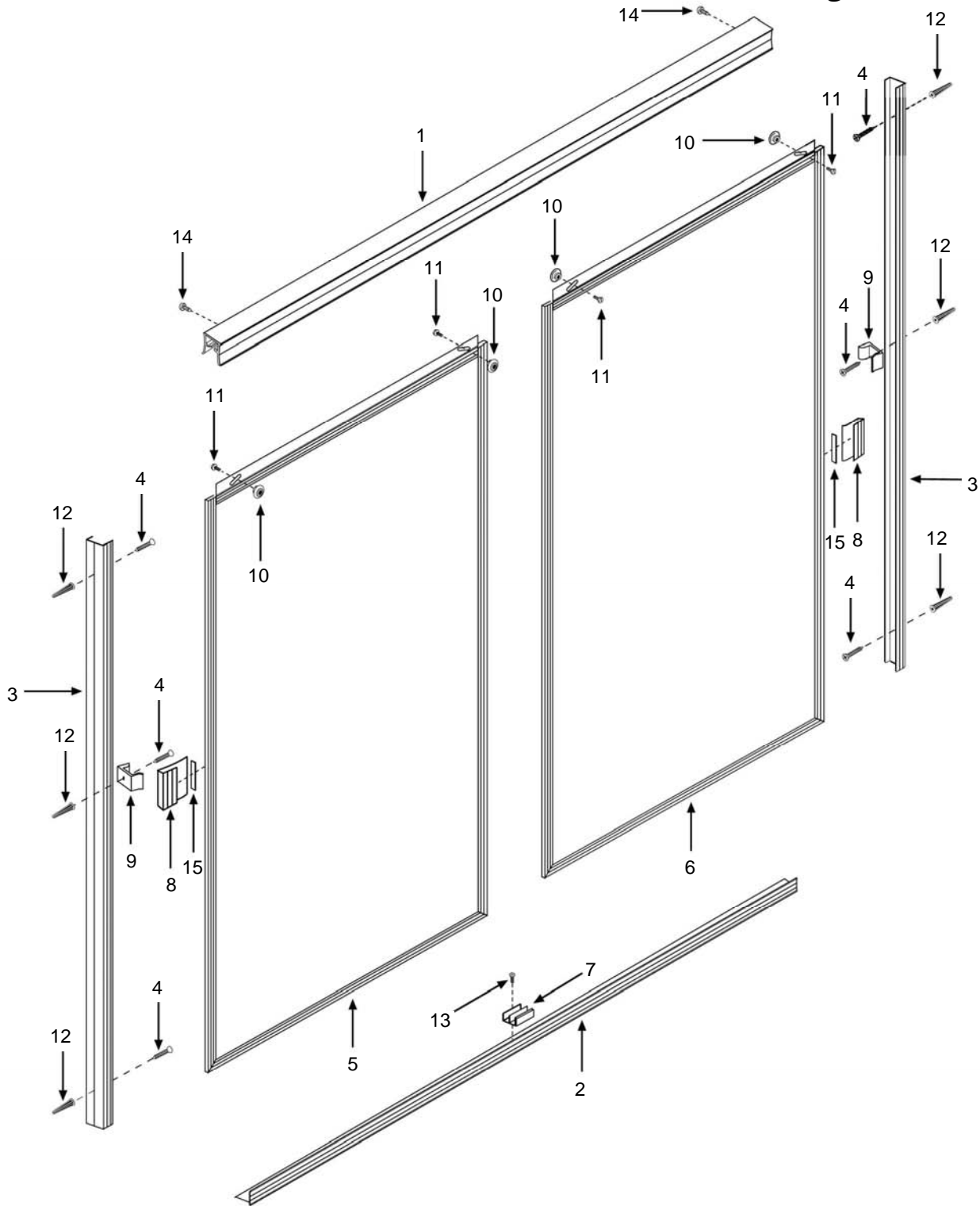
Instructions



Shower Doors

DESIGNERS • MANUFACTURERS
26121 Avenue Hall • Valencia, CA 91355
(661) 257-1177 • Fax (661) 257-4907
Or visit our website at: www.cwdoor.com

Illustrated Parts Breakdown (IPB) Drawing Model #500



No.	QTY	PART #	PART DESCRIPTION
#1	1	A5010	Header - #500
#2	1	A5020	Bottom Track/Curb - #500
#3	2	A5060	Wall Jamb - #500
#4	6	S82075	#8 x 1 1/2 FH SMS Screw
#5	1		Outside Door Panel
#6	1		Inside Door Panel
#7	1	G1150	Guide - #500

No.	QTY	PART #	PART DESCRIPTION
#8	2	A5050	Handle - #500
#9	2	J5000	Wall Jamb Bumper - #500
#10	4	W8120	Roller - #500
#11	4	S82010	#8-32 x 3/8 HWH Screw
#12	6	S0170	Screw Anchor
#13	1	S81005	#6 x 5/16 PHFT Screw
#14	2	S81025	#6 x 3/8 PH SMS Screw
#15	2	T500	Two-Sided Tape

In this instruction booklet we will walk you through the installation of your new shower door.

DO NOT REMOVE your old shower door until you check your new shower door kit is the right size for your shower and that all the proper parts are in the box or hardware bag. NOTE: The Header (#1) and Bottom Track/Curb (#2) are shipped 1/2" oversized, so you will need to cut each to fit.

Use a Level to check that the tub (sill/shower dam) is reasonably level – no more than 1/4" out of level from side to side. If it is out of level more than that, you may want to consider ordering a custom-mitered fill that fits under the Bottom Track/Curb (#2). This will level the Bottom Track/Curb (#2) correctly. In the absence of leveling the Bottom Track/Curb (#2) with a mitered fill and depending upon how badly your tub is out of level the panels may not stay in a closed position. Instead the panels may roll downhill, causing one of the doors to open.

Make sure that you have all the proper tools required to assemble your new shower door. Use this check list.




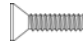

- Phillips Screwdriver
- Level
- Electric Drill
- 1/8" Drill Bit (for fiberglass stall)
- 3/16" Masonry Drill Bit (for tile stall)
- 7/64" Drill Bit
- Pencil
- Hammer
- Center Punch
- Fine File
- Miter Box & Hacksaw with 32 teeth/Inch Blade
- Caulking Gun and one Tube of Clear Tub/Tile Silicone
- 1/4" Open End Wrench
- Tape Measure
- Masking Tape
- Safety Glasses

Wear safety glasses whenever drilling or cutting. Handle the framed glass panels carefully. The sharp corners of the panels can damage tile and floor covering. Tempered glass cannot be cut.

STEP 1 Checking Contents of Shower Door Package

DO NOT use a razor blade to cut open the paper wrapping as you may scratch the contents. In the box you should find the following parts:

No.	Qty.	Description
(#1)	1	Header - #500
(#2)	1	Bottom Track/Curb - #500

(#3)	2	Wall Jamb - #500
(#4)	6	#8 x 1 1/2" FH SMS Screw 
(#5)	1	Outside Door Panel
(#6)	1	Inside Door Panel
(#7)	1	Guide - #500
(#8)	2	Handle - #500
(#9)	2	Wall Jamb Bumper
(#10)	4	Roller - #500
(#11)	4	#8-32 x 3/8" HWH Screw 
(#12)	6	Screw Anchor 
(#13)	1	#6 x 5/16" PHFT Screw 
(#14)	2	#6 x 3/8" PH SMS Screw 
(#15)	2	Two-Sided Tape

If you find that any parts are damaged or missing, refer to the parts list and IPB Drawing and contact Contractor Wardrobe®'s Customer Service Department at 661-257-1177. NOTE: Views and directions given in these instructions – left, right, front, back, etc. – are from outside the enclosure, facing the shower.

STEP 2 Removing Existing Shower Doors

After determining that your newly purchased shower enclosure kit is the correct size, remove the existing shower door and all existing parts of that door assembly. Remove all screw anchors from the wall. Clean silicone sealant or shower caulking and any other contaminants from shower and wall surfaces.

STEP 3 Installing Bottom Track/Curb

NOTE: If your shower enclosure has a curve in the corners at the side walls, be sure to measure the distance from wall to wall *above* the curves.

- A. Using the Tape Measure, measure between right and left walls along the flattest part of the shower sill.

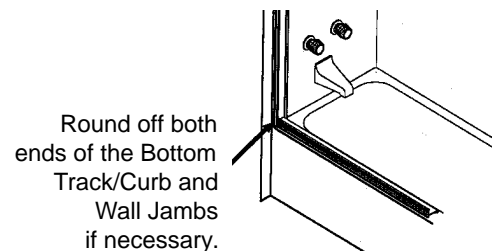
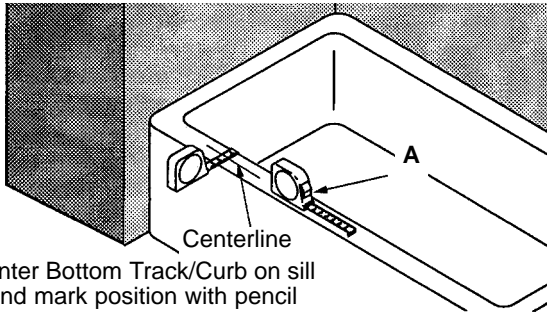


Figure 1

- B. Locate the Bottom Track/Curb (#2). Cut the Bottom Track/Curb (#2) 3/16" shorter than this measurement. If your shower has curved corners, use a File to round off and shape the ends of the Bottom Track/Curb (#2) to fit the rounded corners (See Figure 1). **Do not cut the Header (#1) at this time.**



Center Bottom Track/Curb on sill and mark position with pencil

Figure 2

- C. Lay the Bottom Track/Curb (#2) on the shower sill with the sloping face of the Track towards the inside of the shower. Center the Bottom Track/Curb (#2) on the shower sill, and secure it in position with strips of Masking Tape. Mark the position on the sill with a Pencil. See Figure 2.

NOTE: The Bottom Track/Curb (#2) must lie flat. If the enclosure has curved corners you may have to shape the Bottom Track/Curb (#2) with the File so that it will lie flat on the sill.

STEP 4 Drilling and Aligning the Wall Jamb

- A. Locate the Wall Jamb (#3). Looking at a Wall Jamb (#3) you will notice that the Jamb (#3) has two side legs, one which is narrower than the other. This narrow leg will face *into* the shower. If you look on the back of the Jamb (#3), you will also see a groove which runs the length of the back surface of the Jamb (#3).
- B. Drill three 3/16 diameter holes along the groove as illustrated in Figure 3. Drill a hole 3" from each end and one in the center.

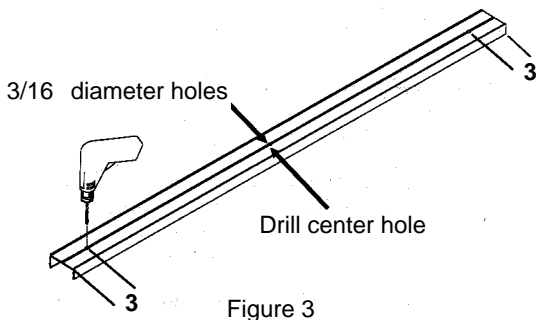
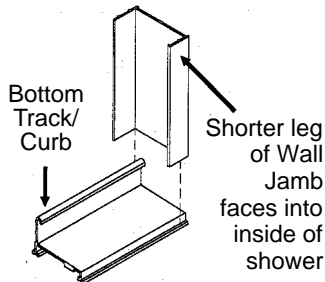


Figure 3

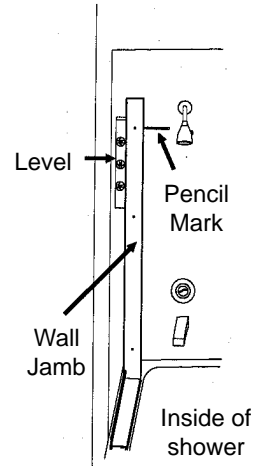
- C. Holding the Wall Jamb (#3) with the narrow leg towards the inside of the shower, lower the Wall Jamb (#3) onto the Bottom Track/Curb (#2). The Wall Jamb (#3) must lie flat against the wall and both legs of the Wall Jamb (#3) must fully connect with the Bottom Track/Curb (#2).



NOTE: If your shower has curved corners, you may have to shape the Wall Jamb to fit snugly with the Bottom Track/Curb (#2).

- D. With the Wall Jamb (#3) in place, use a Level to ensure that the Wall Jamb (#3) aligns straight up and down. Use your Pencil to mark the hole locations.

- E. Using either a 1/8 Drill Bit (for a fiberglass enclosure) or a 3/16 Masonry Drill Bit (for tile/marble), drill holes where you made the marks. If installing in a tile/marble enclosure, gently tap a Screw Anchor (#12) into each hole. **DO NOT use the Screw Anchors (#12) for a fiberglass enclosure.**



- F. Repeat this for the other Wall Jamb (#3). Remove the two Wall Jamb (#3) for now.
- G. Remove the Bottom Track/ Curb (#2). Gently Center Punch the three holes along each Wall Jamb (#3). On ceramic tile be very careful and only tap the punch *lightly* enough to nick the tile surface but not crack the tile.
- H. Use the 3/16 Drill Bit and drill holes into the wall for both Wall Jamb (#3). When finished, be sure to clean the shower sill of any debris from drilling.
- I. Insert a Screw Anchor (#12) into each of the six holes.

STEP 5 Caulking and Installing the Bottom Track/Curb

NOTE: Before siliconing the Bottom Track/Curb (#2), make sure the surface is completely free of dirt or any other contaminants to ensure proper adhesion.

- A. Apply Silicone Caulking along the caulking grooves on the underside of the Bottom Track/Curb (#2) as shown in Figure 4. Only apply enough silicone to just barely overfill the grooves.

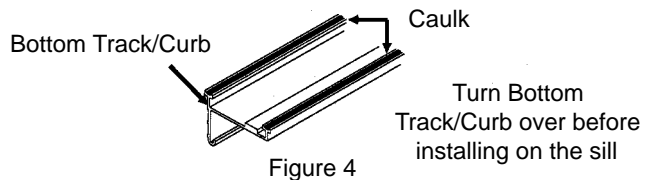
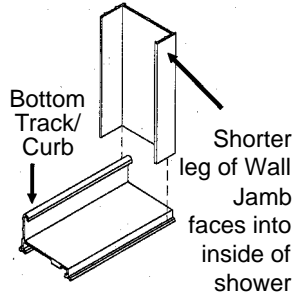


Figure 4

- B. Using the location marks install the Bottom Track/Curb (#2) and seal both ends at the wall with Silicone.

STEP 6 Installing Wall Jamb and Bumpers

- With the narrow leg of each Wall Jamb (#3) toward the inside of the shower enclosure, install the Wall Jamb (#3) by setting each one down over the Bottom Track/Curb (#2) and re-aligning the holes of each Wall Jamb (#3) with the holes you drilled in each wall.
- Use two #8 x 1 1/2 FH SMS Screws (#4), top and bottom, to secure each Wall Jamb (#3) to the wall.
- Use two more #8 x 1 1/2 FH SMS Screws (#4) to secure Wall Jamb Bumpers (#9) in the center hole of each Wall Jamb (#3).
- Tighten all #8 x 1 1/2 FH SMS Screws (#4).



STEP 7 Measuring and Installing the Header

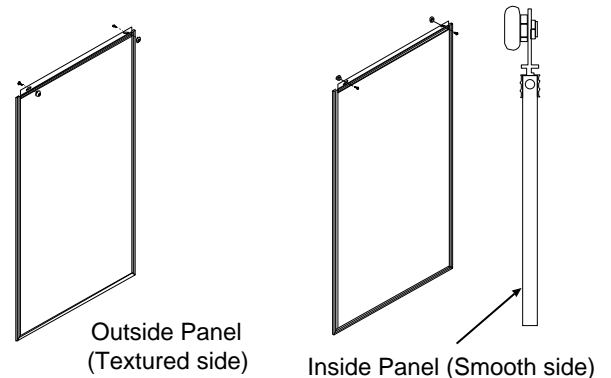
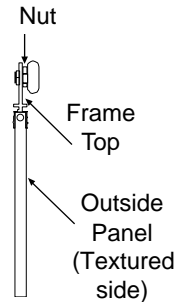
- Locate the Header (#1) and two #6 x 3/8 PH SMS Screws (#14).
- Measure the distance, wall to wall, at the top of the Wall Jamb (#3). Cut the Header (#1) 1/16 shorter than this measurement to allow for clearance.
- Install the Header (#1) over the ends of the Wall Jamb (#3). Stand in the shower for the next steps.
- On both ends of the Header (#1), measure 5/16 in from the end and 5/16 up from the bottom edge and mark these two points with a Pencil. Using a 7/64 Drill Bit, at each pencil mark, carefully drill all the way through the Header (#1) and into the Wall Jamb (#3).
- Finish installation of the Header (#1) by securing it to the Wall Jamb (#3) with the two #6 x 3/8 PH SMS Screws (#14).

STEP 8 Installing the Rollers on the Panels

Please note: Enclosures with Obscure or Smooth Rough glass are installed with the *textured* surface of the

framed Panels facing *out*, or to the front. The *smooth* surface of the glass will face *into* the shower. This orientation gives you the front and back of each panel. Now, select one of these panels to be the Outside Door Panel (#5) and one to be the Inside Door Panel (#6).

- Use two #8-32 x 3/8 HWH Screws (#11) and attach two Rollers (#10) to the top of the Outside Door Panel (#5) on the front surface of the "fin", with the metal parts (the Nut side) against the frame and the plastic Roller (#10) facing out of the shower/shower (the same side as the textured side of the glass).
- Use two more #8-32 x 3/8 HWH Screws (#11) to attach two Rollers (#10) to the top of the Inside Door Panel (#6) of the frame on the back surface of the "fin", with the metal parts (the Nut side) against the frame and the plastic Roller (#10) facing into the shower/shower (the same side as the smooth side of the glass).

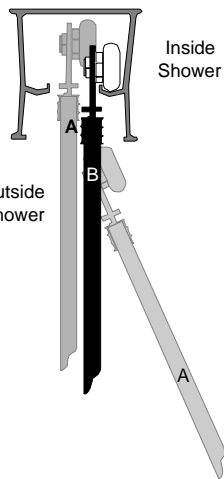


STEP 9 Installing the Door Panels

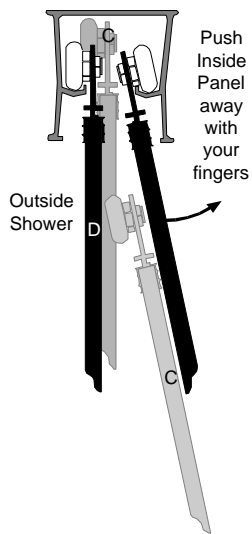
Installing the Door Panels may be easier if you have someone to assist you. Always wear gloves and safety goggles whenever handling glass. NOTE: DO NOT allow the panels to strike the shower/tile or each other.

- Hold the Inside Door Panel (#6) so that the Rollers (#10) are facing away from you. Standing outside of and facing the shower enclosure, lift the Inside Door Panel (#6) up and over the Bottom Track/Curb (#2) and then lift the top rail up into the Header (#1) and set the Rollers (#10) into the rear track of the Header (#1).

B. Gently lower the Rollers (#10) into position so that they are seated in the track. Make sure that the panel rolls freely.



C. Hold the Outside Door Panel (#5) so that the Rollers (#10) are facing towards you. Standing outside of and facing the shower enclosure, use the index finger of both hands to carefully push the Inside Door Panel (#6) back and out of the way as you lift the Outside Door Panel (#5) up and over the Bottom Track/Curb (#2) and then slide the top rail up and into the Header (#1). Or, if someone is assisting you, have him/her hold the Inside Door Panel (#6) back out of your way. DO NOT let the two panels strike one another. Set the Rollers (#10) into the front track of the Header (#1).

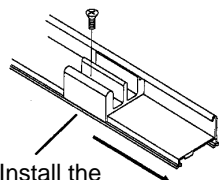


D. VERY CAREFULLY seat the Outside Door Panel (#5) into the track and make sure that it rolls freely. Carefully let the Inside Door Panel (#6) ease back into position.

E. Slide both panels to one side.

STEP 10 Installing the Guide

A. Locate the Guide (#7) and #6 x 5/16 PHFT Screw (#13). Position the Guide (#7) on the Bottom Track/Curb (#2) exactly midway between the Wall Jamb (#3).



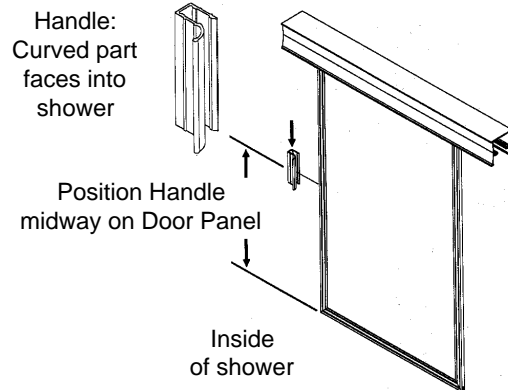
B. The top edge of the Guide (#7) fits under the metal groove on the front part of the Bottom Track/ Curb (#2). Using the hole in the Guide (#7), drill a 1/8 hole into the Bottom Track/Curb (#2).

Install the Guide midway between the Wall Jamb

C. Use a #6 x 5/16 PHFT Screw (#13) to secure the Guide (#7) in place.

STEP 11 Installing the Handle

A. Locate the Handle (#8) and one two-sided tape (#15). Remove the backing from one side of the tape and place inside the Handle (#8). Remove the backing from the tape inside the Handle (#8).

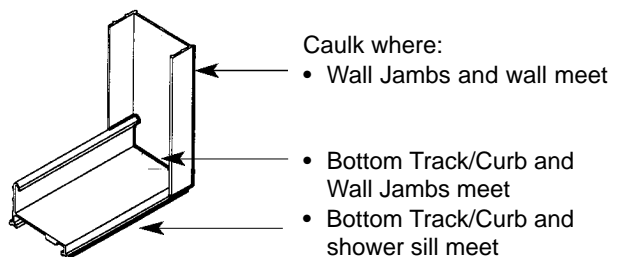


B. Standing in the shower, with the curved part of the handle facing into the shower, position the Handle (#8) midway on the frame of the Inside Panel (#5) (as measured from the bottom of the Panel), on the edge nearest the Wall Jamb (#3) near the shower head. Gently tap the Handle (#8) into place.

C. Repeat these steps on the Outside Panel (#5). Install the Handle (#8) on the Outside Panel (#5) on the edge nearest the Wall Jamb (#3).

STEP 12 Silicone Sealing the Enclosure

NOTE: Before silicong the enclosure, make sure the surface is completely free of dirt or any other contaminants to ensure proper adhesion.



Using clear silicone, seal along the interior and exterior edges of the Header (#1), Wall Jamb (#3) and Bottom Track/Curb (#2).

NOTE: Silicone sealant must cure for 24 hours before you use your new enclosure. Silicones may vary. Please follow curing instructions on the tube.

STEP 13 *Cleaning and Removing the Door Panels*

The enclosure door panels are not designed to be removed once they are installed. However, inconvenient areas that you may want to clean, such as the overlap between the doors, can still be reached for cleaning.

- A. Clean the glass and Bottom Track/Curb (#2) with a mild, non-abrasive cleaner.

CAUTION: Removing one or both of the panels should NOT be attempted without assistance. Always wear safety goggles and gloves when handling the glass panels. Read through the following instructions first to familiarize yourself before proceeding.

- B. Carefully remove any silicone caulking from around the Header (#1).
- C. Remove the #6 x 3/8 PH SMS Screw (#14) from the Header (#1). You should now be able to raise the Header (#1) enough to lift the panels out of the Panel Guide (#7) and disengage them from the Header (#1).
- D. To re-install the Door Panels (#5 and #6), reverse the process described above: hang the Panels in the Header (#1) and re-attach the Header (#1) onto the Wall Jambs (#3) with two #6 x 3/8 PH SMS Screw (#14).

Thank you for purchasing a CW® Shower Enclosure. This is only one of a large line of shower enclosures and high quality wardrobe door products. If you like this product, please contact Contractors Wardrobe® for more information about our many beautiful wardrobe doors in bi-pass and bi-fold styles with steel, aluminum and hardwood frames.