



Ensemble™

32" (813 mm) AFD Bath
71121112



Features

- Durable high-gloss finish.
- Above-floor-drain (AFD) rough-in.
- 2" (51 mm) wainscot/tile ledge.
- 20" (508 mm) bath depth (floor to top of threshold).
- 60" (1524 mm) x 32" (813 mm) x 22" (559 mm) finished dimensions.

Material

- Compression molded from our exclusive solid Vikrell® material.



For complete listing of available colors, go to sterlingplumbing.com.

Codes/Standards

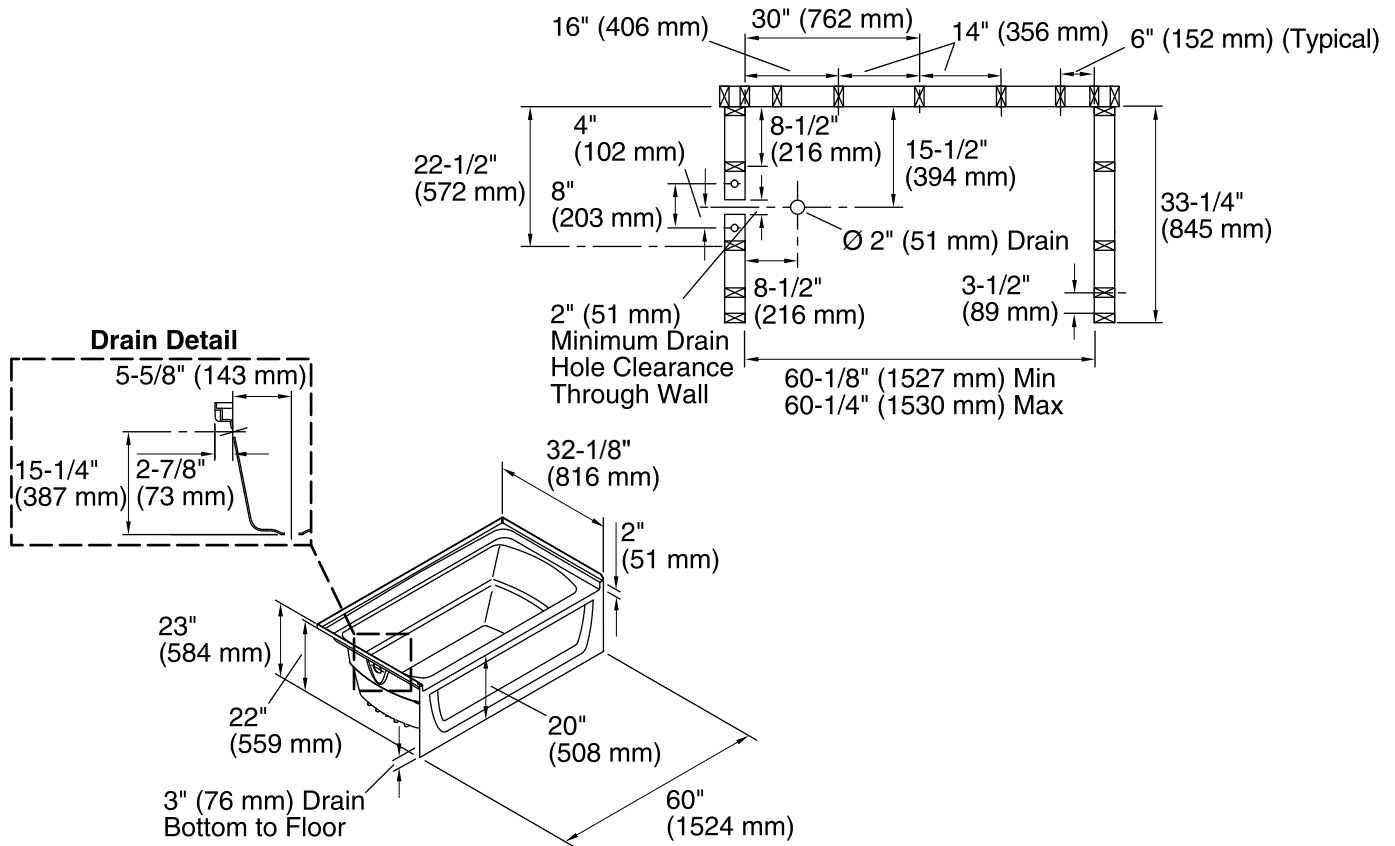
ASTM E162
ASTM E662
Greenguard UL 2818 - Gold
CSA B45.5/IAPMO Z124

STERLING® Warranty - Fixtures Made of Solid Vikrell Material

See website for detailed warranty information.

Product Specification

Bath shall be 60" (1524 mm) in length, 32-1/8" (816 mm) in width, and 23" (584 mm) in height with flange. Bath shall be made of Vikrell material with durable high-gloss finish. Bath shall have above-floor-drain rough-in and left drain. Bath shall be STERLING Model 71121112.



Technical Information

All measurements are nominal.

- Installation: Alcove with Flange
- Drain location: Left
- Basin area, bottom: 42" x 20" (1067 mm x 508 mm)
- Basin area, top: 54" x 26" (1372 mm x 660 mm)
- Water depth: 13" (330 mm)
- Water capacity: 51 gal (193.1 L)

Door width required: 57-11/16" (1465 mm)

Installation Notes

- Measure your actual product for roughing-in details.
- Install this product according to the installation guide.
- Double studding is recommended for pivot shower door installations.
- Studs should be positioned roughly as shown.