

KOHLER®

Windward®

6' Bath
K-1115



Features

- End drain.
- Integral lumbar support and armrests for comfort.
- 72" (1829 mm) x 42" (1067 mm) x 21" (533 mm)

Material

- Acrylic

Installation

- Drop-in

Recommended Accessories

- K-7166-AF Bath Drain
- K-11677 Bath Drain
- K-24916 Wireless Music Kit



Codes/Standards




- CSA B45.5/IAPMO Z124
- ASTM E162
- ASTM E662
- Greenguard UL 2818 - Gold

KOHLER® One-Year Limited Warranty

See website for detailed warranty information.

Available Color/Finishes

Color tiles intended for reference only.

Color	Code	Description
	0	White
	96	Biscuit
	47	Almond

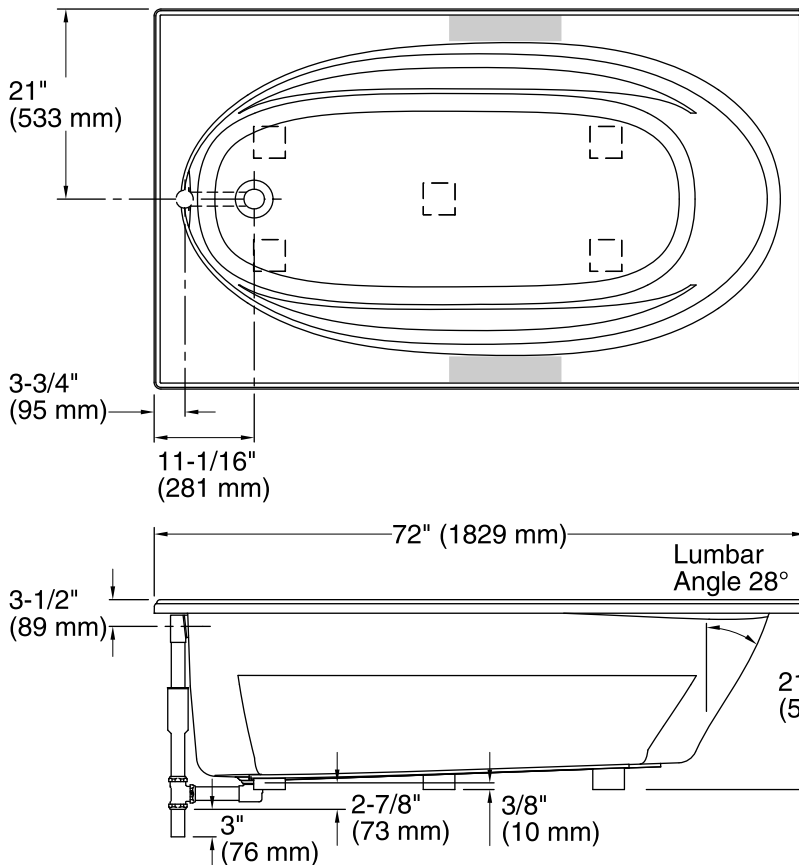
USA/Canada: 1-800-4KOHLER (1-800-456-4537)

Kohler Co. reserves the right to make revisions without notice to product specifications.

For the most current Specification Sheet, go to www.kohler.com.

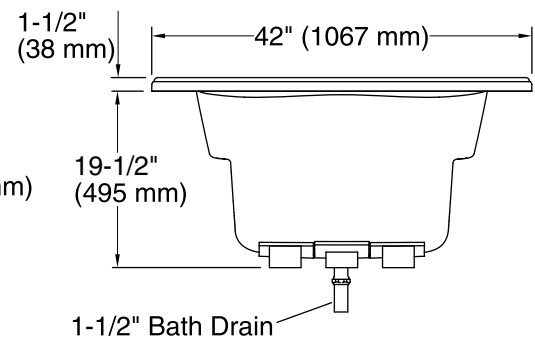
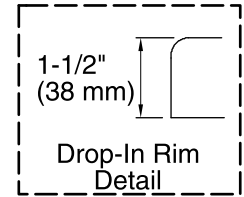
4-30-2016 02:55

THE BOLD LOOK
OF **KOHLER**®



No change in measurements if connected with drain illustrated. (K-11677)

■ Recommended faucet area



Technical Information

All product dimensions are nominal.

Installation:	Drop-in
Drain location:	End
Basin area, bottom:	55" x 23-1/4" (1397 mm x 591 mm)
Basin area, top:	64" x 32" (1626 mm x 813 mm)
Weight:	100 lbs (45.4 kg)
Minimum floor load:	38 lbs/ft ² (185.5 kg/m ²)
Water depth:	15" (381 mm)
Water capacity:	78.5 gal (297.2 L)
Cutout:	Drop-in, 70-1/2" x 40-1/2" (1791 mm x 1029 mm)
Minimum flat for door:	3-1/16" (78 mm)

Notes

Measure your actual product for rough-in details.

Install this product according to the installation instructions.

The hot water supply should be 70% of the capacity of the bath or greater. Installations will vary.

If installing a rim-mount faucet, make sure there is no interference with drain overflow before drilling any holes. Consult local and national codes for minimum air gap requirements if installing a spout on the faucet deck.