



**PlayAction**

# Decorative Kit™


## Safety Guide & Building Instructions



*w/ Decorative Kit*



*w/ Custom Theme*

Visit [Playstarinc.com/decokit](http://Playstarinc.com/decokit) or  
 [Facebook/playstarplaysystems](https://www.facebook.com/playstarplaysystems)  
for a gallery of ideas on how to customize your playset.

### Important!

Intended for residential use by children ages 2 to 10, only on properly installed PlayStar playsets.  
Before use refer to complete safety guidelines in your original playset, at [www.playstarinc.com](http://www.playstarinc.com), or at 1-888-752-9782.

**We're Here To Help!**

Call Toll Free **1-888-752-9782**  
Customer Service: Monday - Friday, 8:00 A.M. to 5:00 P.M. C.S.T.

**PS 7980**

**READ ALL INSTRUCTIONS THOROUGHLY**

*When attaching activities, please take note of locations which would prohibit secure fastening and/or allow any protrusions of deck screws.  
RTA and BIY are references to PlayStar playsets.  
Some construction may require two people.*

**TABLE OF CONTENTS - DECORATIVE KIT**

Contents .....2  
 Accent Dormer .....5  
 Country Cupola .....7  
 Dormer Template .....12-13  
 Flower Box .....15  
 Sand Box Seat .....17  
 Stencil Set .....17  
 Sunlight Window .....17  
 Decorate-a-Flag .....20  
 Design-a-Plaque .....21  
 Magnetic Chalkboard .....22  
 Cupola Template .....23

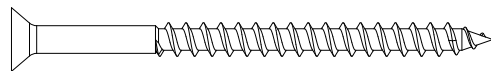
**PURCHASE SEPARATELY**

- |                |                          |                     |
|----------------|--------------------------|---------------------|
| Exterior Paint | Permanent/Fabric Markers | Floral Arrangements |
| Exterior Stain | Chalk                    | Magnets             |

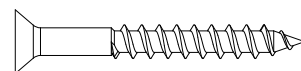
**TOOLS REQUIRED**

- |                |                       |          |
|----------------|-----------------------|----------|
| Ladder         | Square                | Pencil   |
| Tape Measure   | Phillips Screwdriver  | Tape     |
| Safety Glasses | Hammer                | Chalk    |
| Drill          | 1/8" & 3/8" Drill Bit | Scissors |

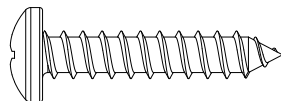
**HARDWARE INCLUDED (shown actual size)**



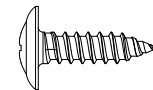
#8 x 2 1/2" DECK SCREW (27)



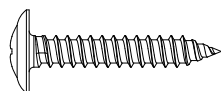
#8 x 1 1/2" DECK SCREW (35)



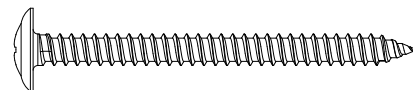
#14 x 1 1/4" PAN HEAD SCREW (12)



#8 x 5/8" TRUSS HEAD SCREW (20)

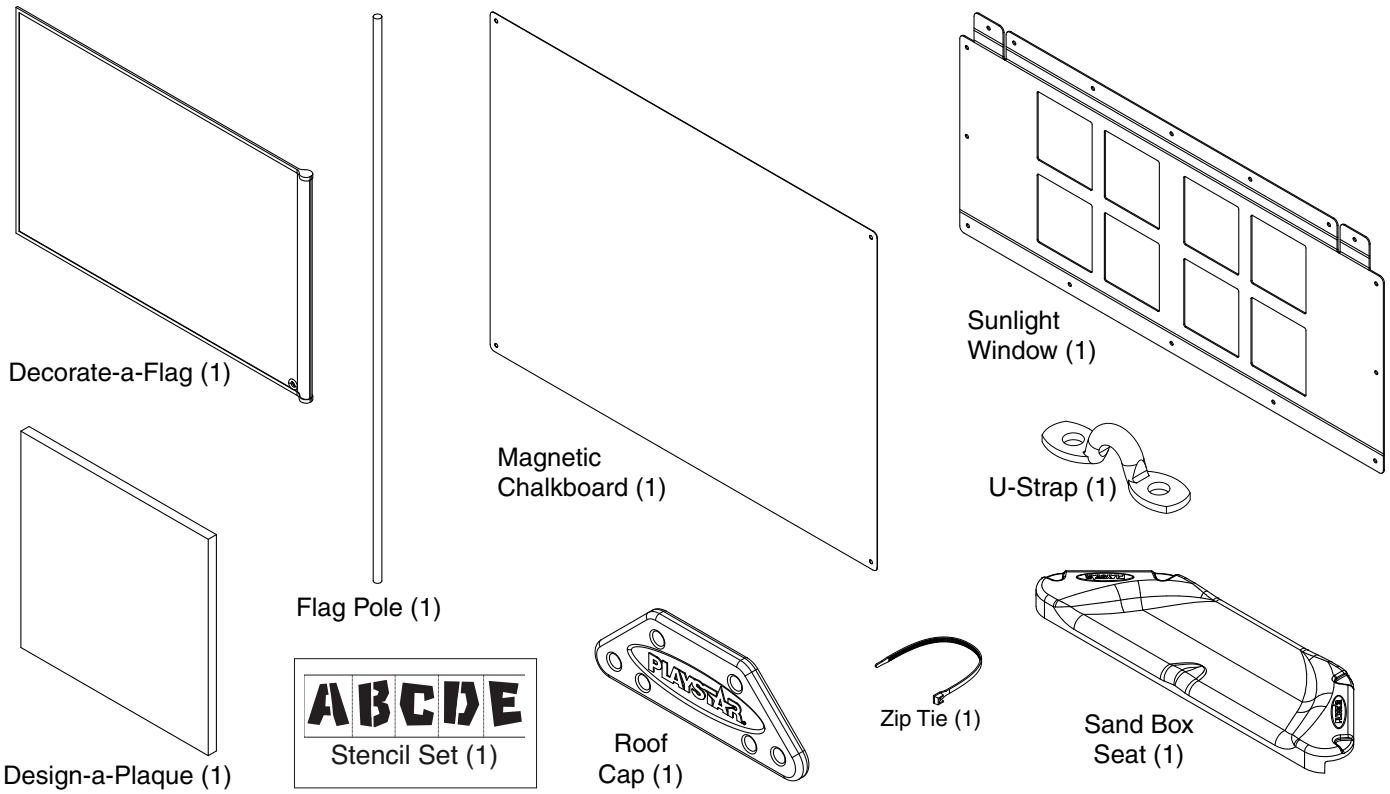


#8 x 1" TRUSS HEAD SCREW (4)

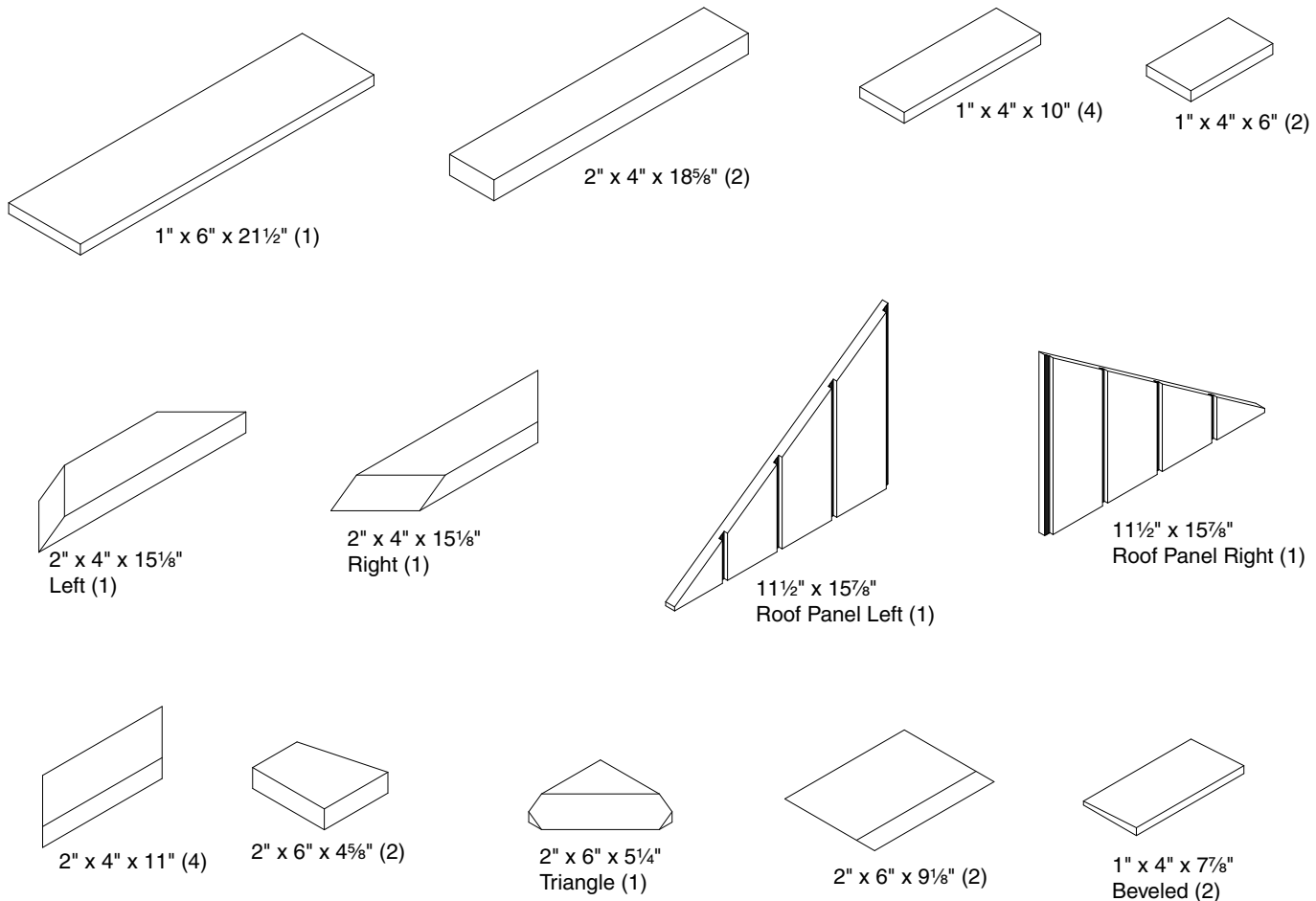


#8 x 2" TRUSS HEAD SCREW (4)

# COMPONENTS INCLUDED

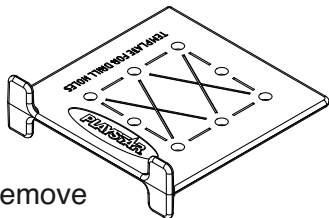


# BOARDS INCLUDED

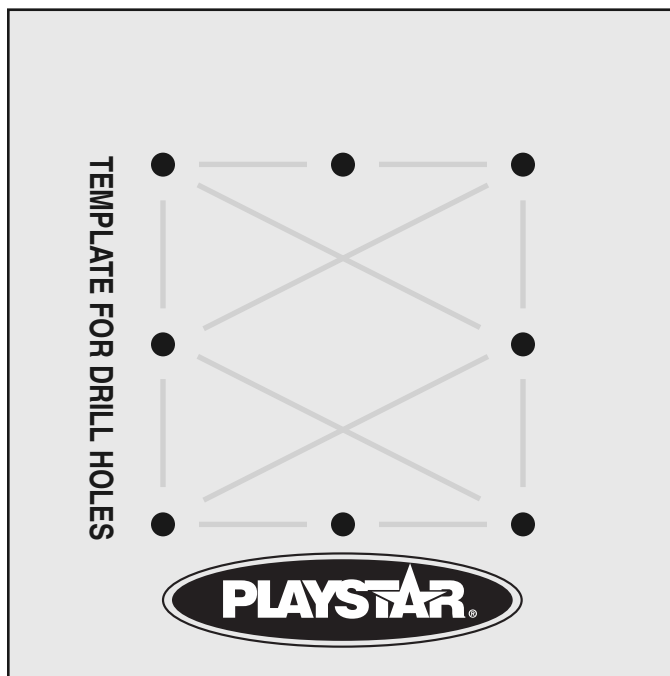


# How To Use Your Marking Template for Drill Holes:

Your original building kit includes this template to help you create most of the hole patterns needed to build your playset. Once the template is in position, mark only the holes that need to be drilled for each pattern. Remove the template before drilling.



The rigid version of the template like the one shown below can be found inside one of the hardware boxes in your original building kit.



Actual Size Template

**Warning:** Do not drill holes through the template as you may damage the template.

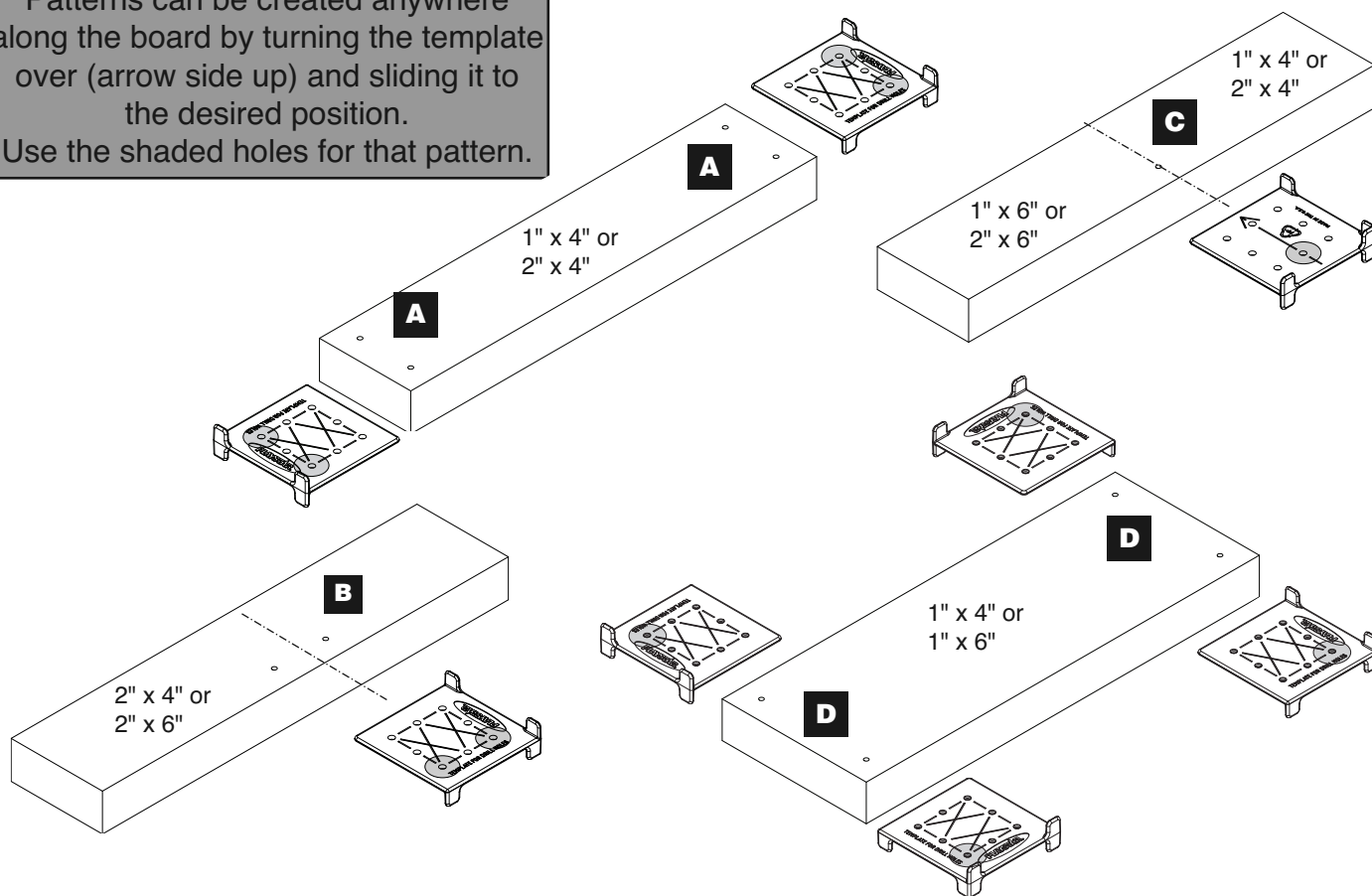
**Use an 1/8" drill bit for all holes unless noted**

**Note:** When the PlayStar logo is showing, the three tabs on the bottom will position the template square with any two edges. When the arrow is showing, the two tabs on the bottom will position the template square with one edge only, which will allow you to slide the template anywhere along the board.

## PLEASE NOTE

*(Letters represent pattern not position)*

Patterns can be created anywhere along the board by turning the template over (arrow side up) and sliding it to the desired position. Use the shaded holes for that pattern.

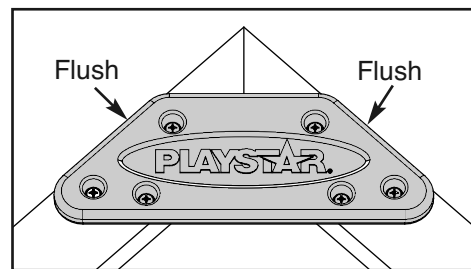
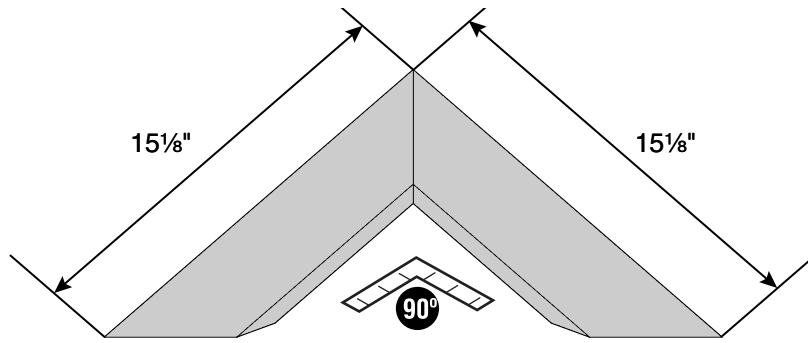


# ACCENT DORMER ASSEMBLY

## Items for STEP 1:

- (1) 2" x 4" x 15 1/8" left board
- (1) 2" x 4" x 15 1/8" right board
- (1) Roof Cap
- (6) #14 x 1 1/4" pan head screws

On a flat surface, position boards together as shown. Position roof cap flush with outside edges. Use roof cap as a drill guide and drill 1/8" holes 1" deep. Keep boards square while attaching roof cap to boards with #14 x 1 1/4" pan head screws.

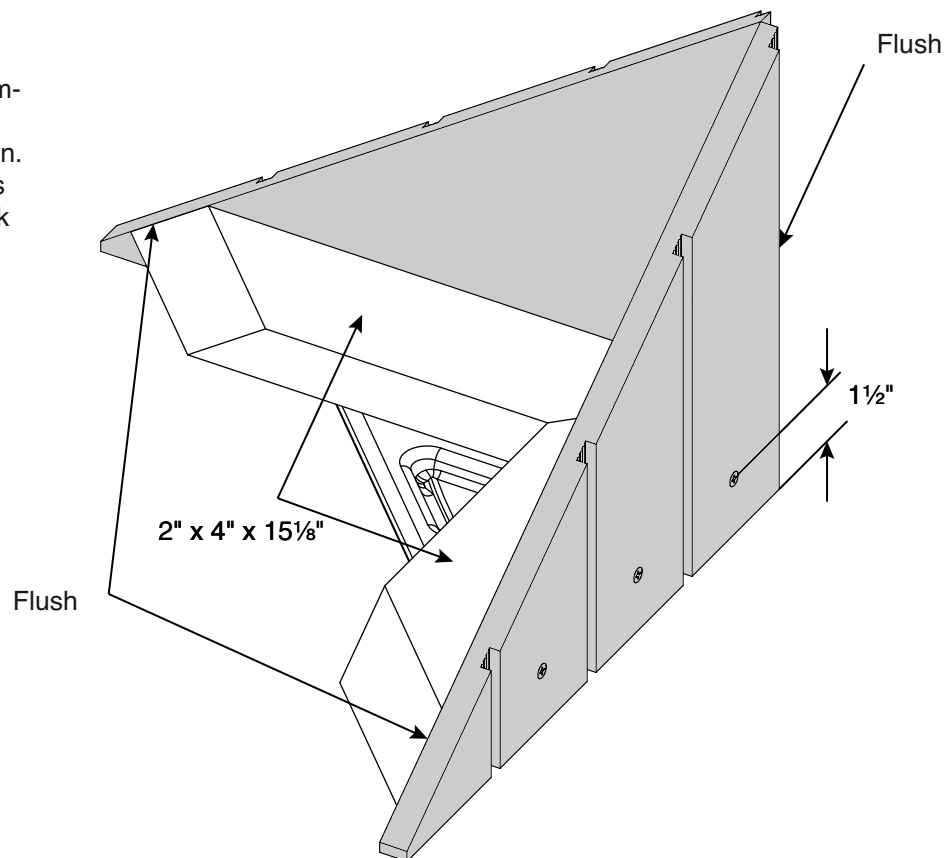


## Items for STEP 2:

- (1) Step 1 Assembly
- (1) 11 1/2" x 15 7/8" roof panel left
- (1) 11 1/2" x 15 7/8" roof panel right
- (6) #8 x 1 1/2" deck screws

On a flat surface, flip Step 1 Assembly over and align roof panels to the 2" x 4" x 15 1/8" boards as shown. Pre-drill 1/8" holes at the dimensions shown. Secure with #8 x 1 1/2" deck screws.

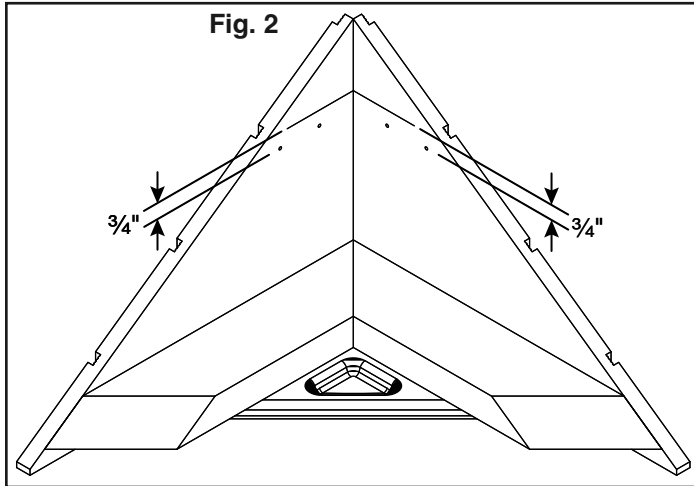
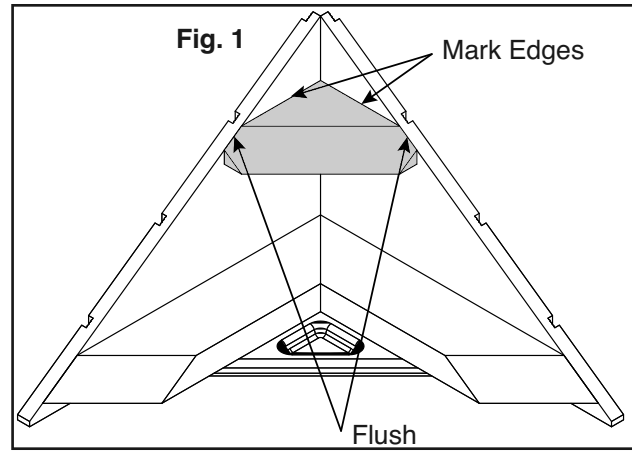
**Repeat for the other roof panel.**



**Items for STEP 3:**

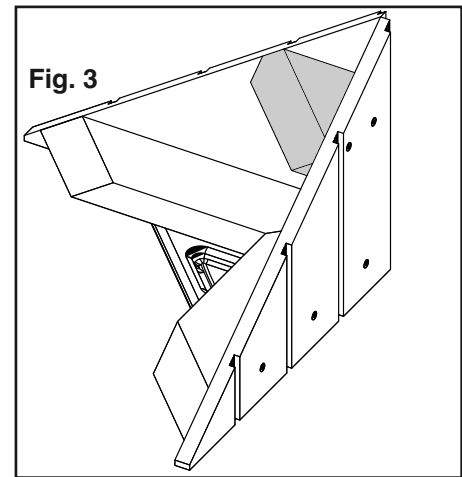
- (1) 2" x 6" x 5 1/4" triangle board
- (4) #8 x 1 1/2" deck screws

Align triangle board with roof panel boards, marking the top edges with a pencil as shown. **Fig. 1**



Using the pencil marks as a reference, drill 1/8" holes at the dimensions shown. **Fig. 2**

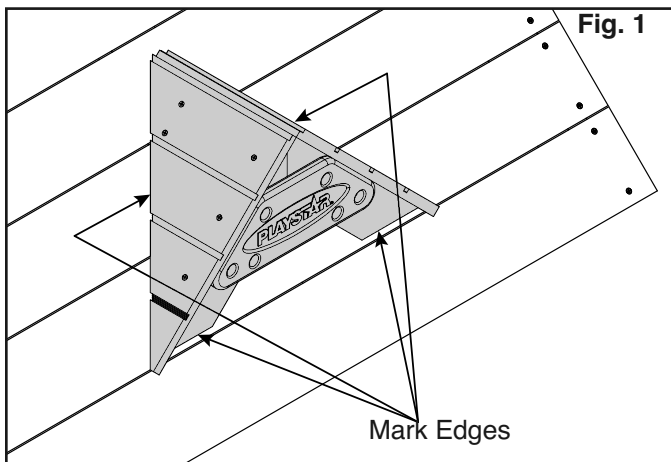
Align triangle board with the pencil marks. Using the previously drilled holes as a pattern, predrill 1/8" holes into the triangle board. Secure with #8 x 1 1/2" deck screws as shown. **Fig. 3**



**Items for STEP 4:**

- (1) Dormer Template (Pg. 12-13)
- (4) #8 deck screws (1 1/2" for roof boards less than 3/4" thick - or - 2 1/2" for roof boards more than 1" thick)

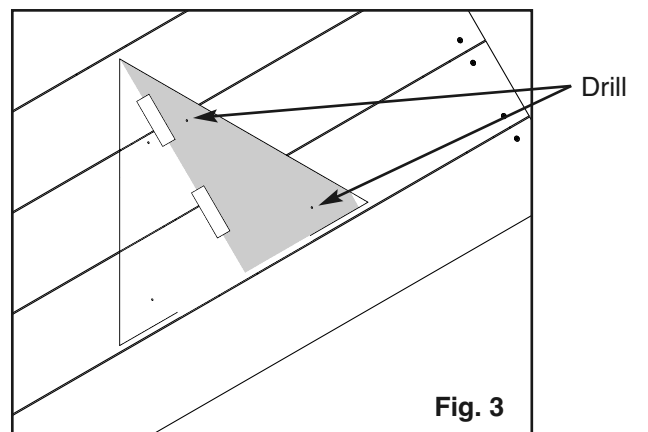
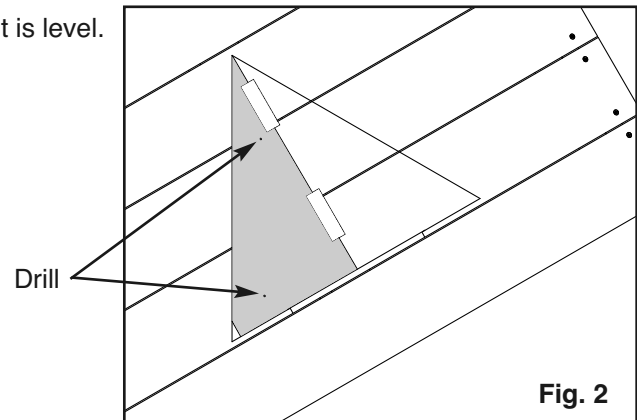
Set Accent Dormer at the desired location on the roof, making sure it is level. Mark edges with a pencil as shown. **Fig. 1**



Remove dormer. Cut out dormer template. Tape template on the roof, lining up the pencil edges. Locate and mark the two hole locations as shown. Drill 1/8" holes through the roof. **Fig. 2**

Flip template over and repeat. **Fig. 3**

Align the dormer with the pencil marks. Using the previously drilled holes as a guide, predrill 1/8" holes into the dormer from the inside of the roof. Secure from inside the roof with #8 deck

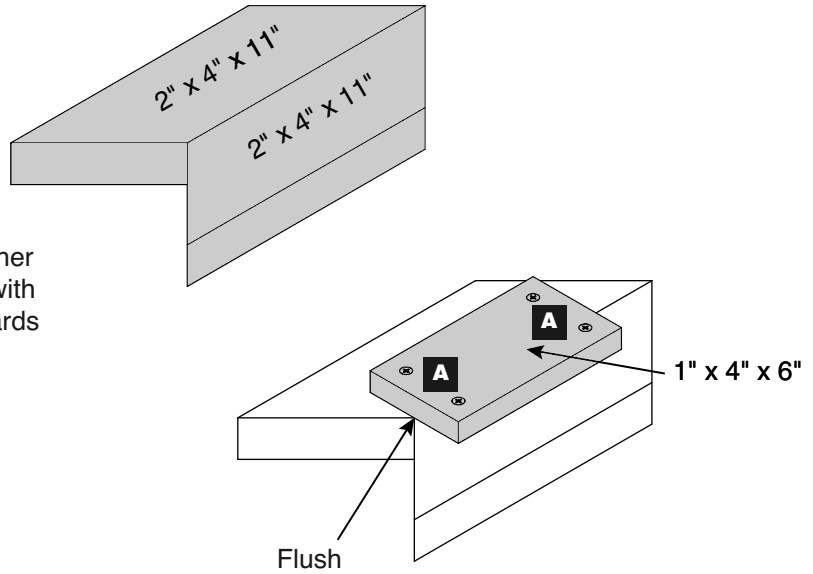


# COUNTRY CUPOLA ASSEMBLY

## Items for STEP 1:

- (4) 2" x 4" x 11" boards
- (2) 1" x 4" x 6" boards
- (8) #8 x 1½" deck screws

On a flat surface, position 2" x 4" x 11" boards together as shown. Position 1" x 4" x 6" centered and flush with the bottom of the "V" formed by the 2" x 4" x 11" boards as shown. Secure with #8 x 1½" deck screws.



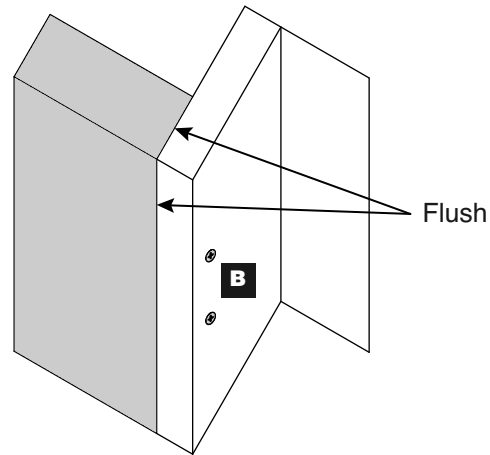
Repeat for the second assembly.

**SEE PAGE 4 FOR HOLE PATTERNS**

## Items for STEP 2:

- (2) Step 1 Assemblies
- (2) 2" x 6" x 9½" boards
- (4) #8 x 2½" deck screws

Attach 2" x 6" x 9½" boards to Step 1 Assembly as shown. Secure with #8 x 2½" deck screws.



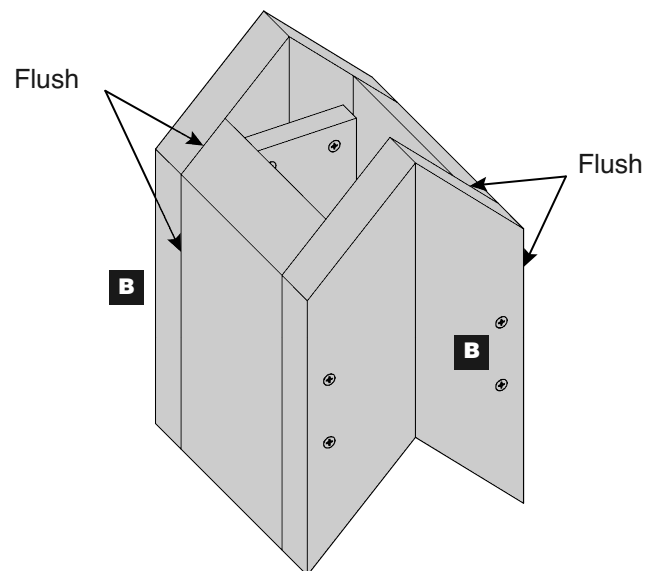
Repeat for the second assembly.

**SEE PAGE 4 FOR HOLE PATTERNS**

## Items for STEP 3:

- (2) Step 2 Assemblies
- (4) #8 x 2½" deck screws

Bring Step 2 Assemblies back to back as shown. Secure with #8 x 2½" deck screws.



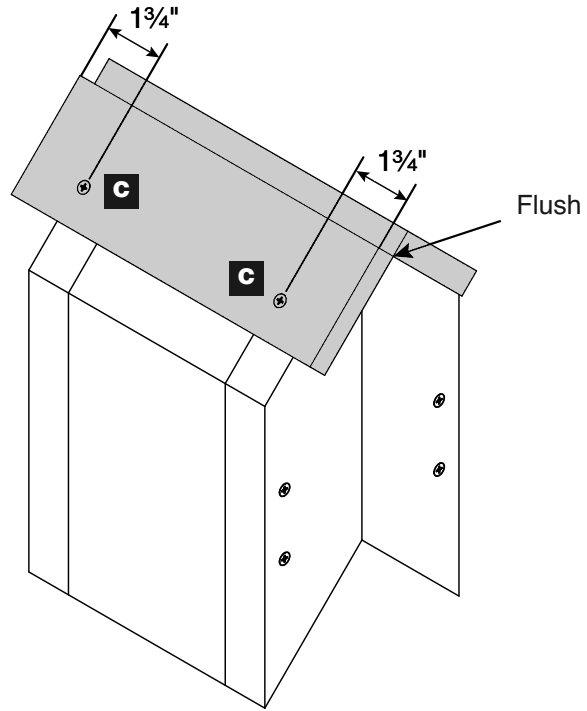
**SEE PAGE 4 FOR HOLE PATTERNS**

**Items for STEP 4:**

- (1) Step 3 Assembly
- (2) 1" x 4" x 10" boards
- (4) #8 x 1½" deck screws

Position board flush at the top and centered side to side on Step 3 Assembly as shown. Secure with #8 x 1½" deck screws.

**Repeat for the other side.**



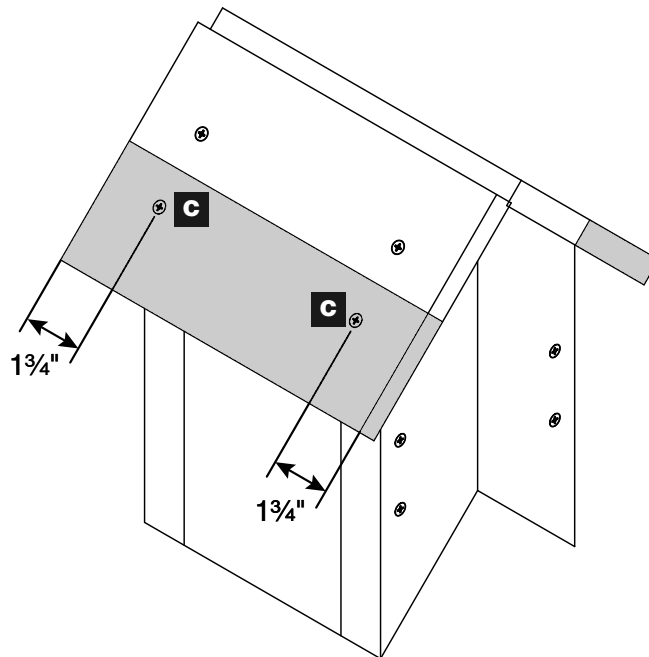
**SEE PAGE 4 FOR HOLE PATTERNS**

**Items for STEP 5:**

- (2) 1" x 4" x 10" boards
- (4) #8 x 1½" deck screws

Position board tight against previously attached board and centered side to side as shown. Secure with #8 x 1½" deck screws.

**Repeat for the other side.**



**SEE PAGE 4 FOR HOLE PATTERNS**

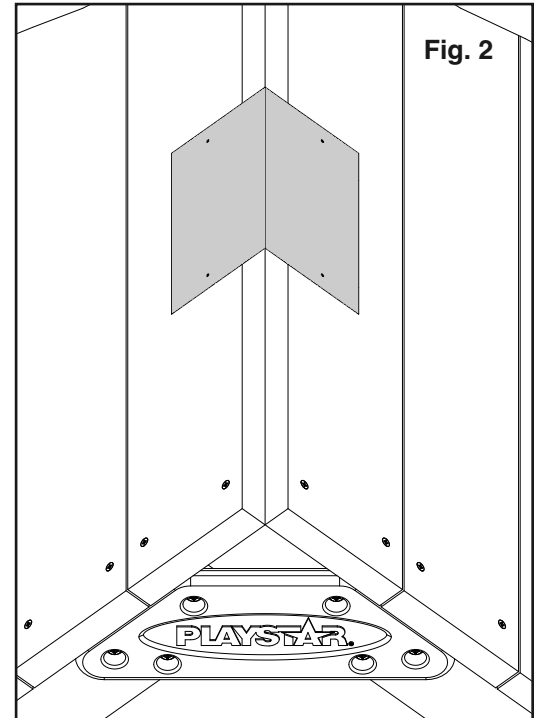
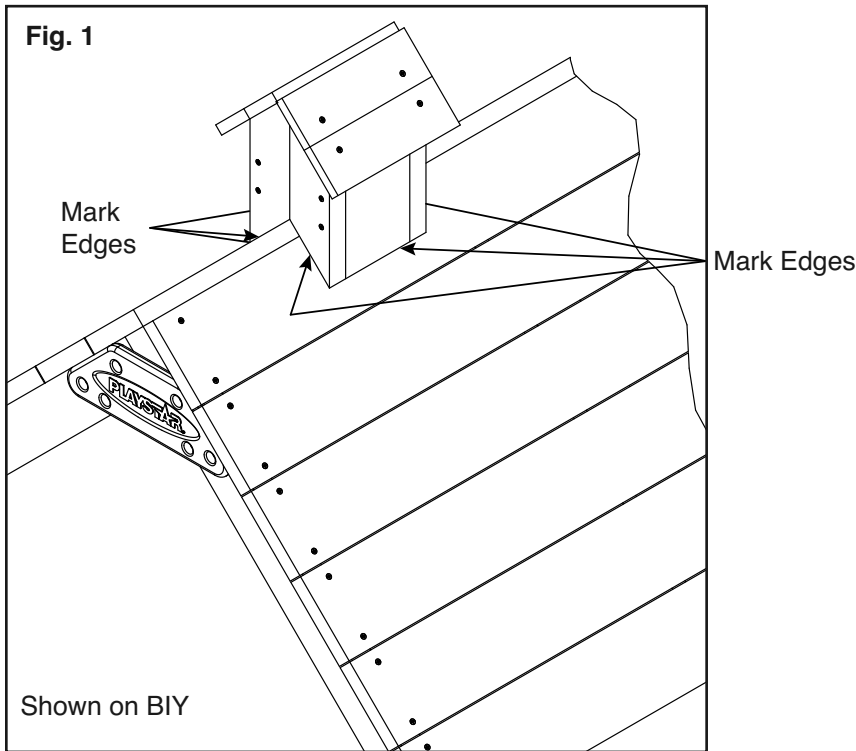


**Items for STEP 6:**

- (1) Cupola Template (Pg. 23)
- (1) Cupola Assembly

Set cupola at the desired location. Mark all six edges as shown. **Fig. 1**

Remove cupola. Cut out cupola template. Tape template on the roof, lining up the pencil edges. Locate and mark the four hole locations as shown. Drill  $\frac{1}{8}$ " holes through the roof. **Fig. 2**



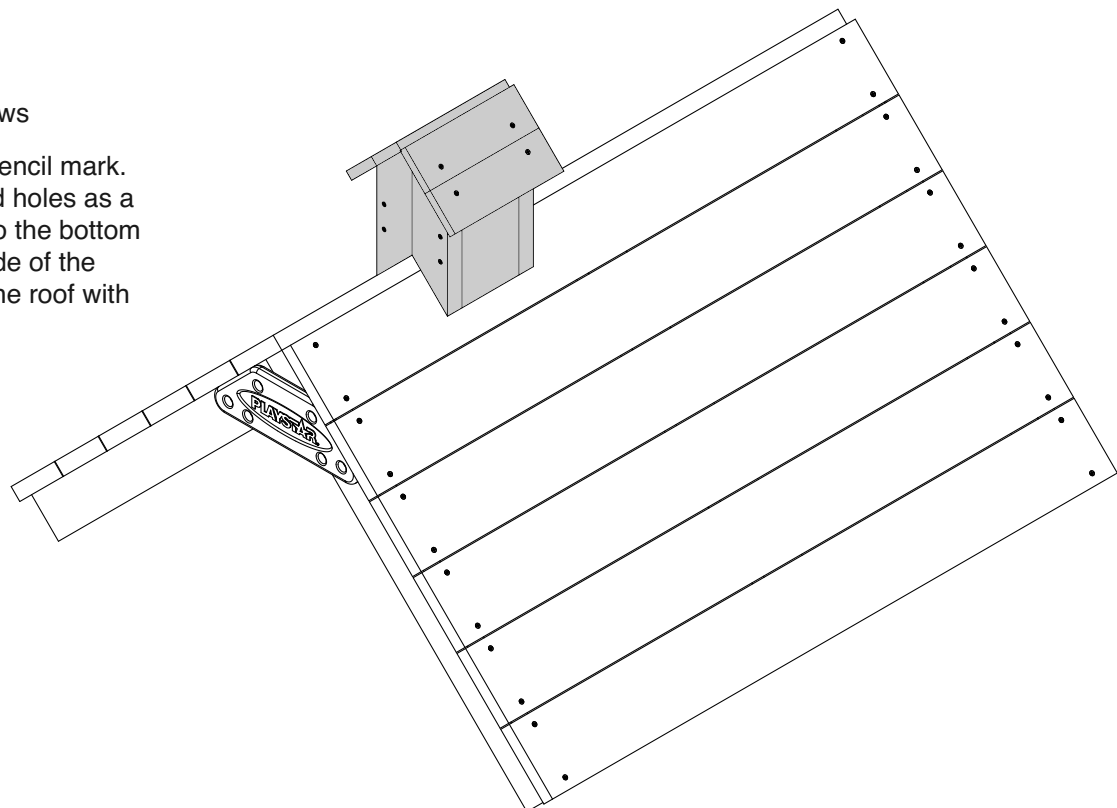
**COUNTRY CUPOLA - Roof 1" or Thicker**

*Caution: If your roof boards are 1" or thicker, follow this step.*

**Items for STEP 7:**

- (4) #8 x 2½" deck screws

Align the cupola with the pencil mark. Using the previously drilled holes as a guide, predrill  $\frac{1}{8}$ " holes into the bottom of the cupola from the inside of the roof. Secure from inside the roof with #8 x 2½" deck screws.





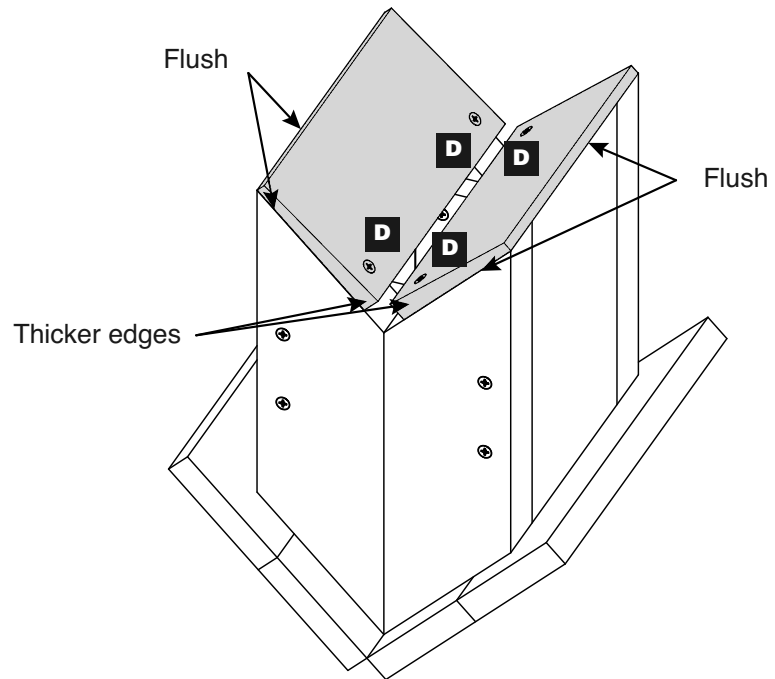
## COUNTRY CUPOLA - Roof $\frac{3}{4}$ " or Thinner

Caution: If your roof boards are  $\frac{3}{4}$ " or thinner, follow these steps.

### Items for **STEP 7:**

- (2) 1" x 4" x  $\frac{7}{8}$ " boards
- (4) #8 x  $1\frac{1}{2}$ " deck screws

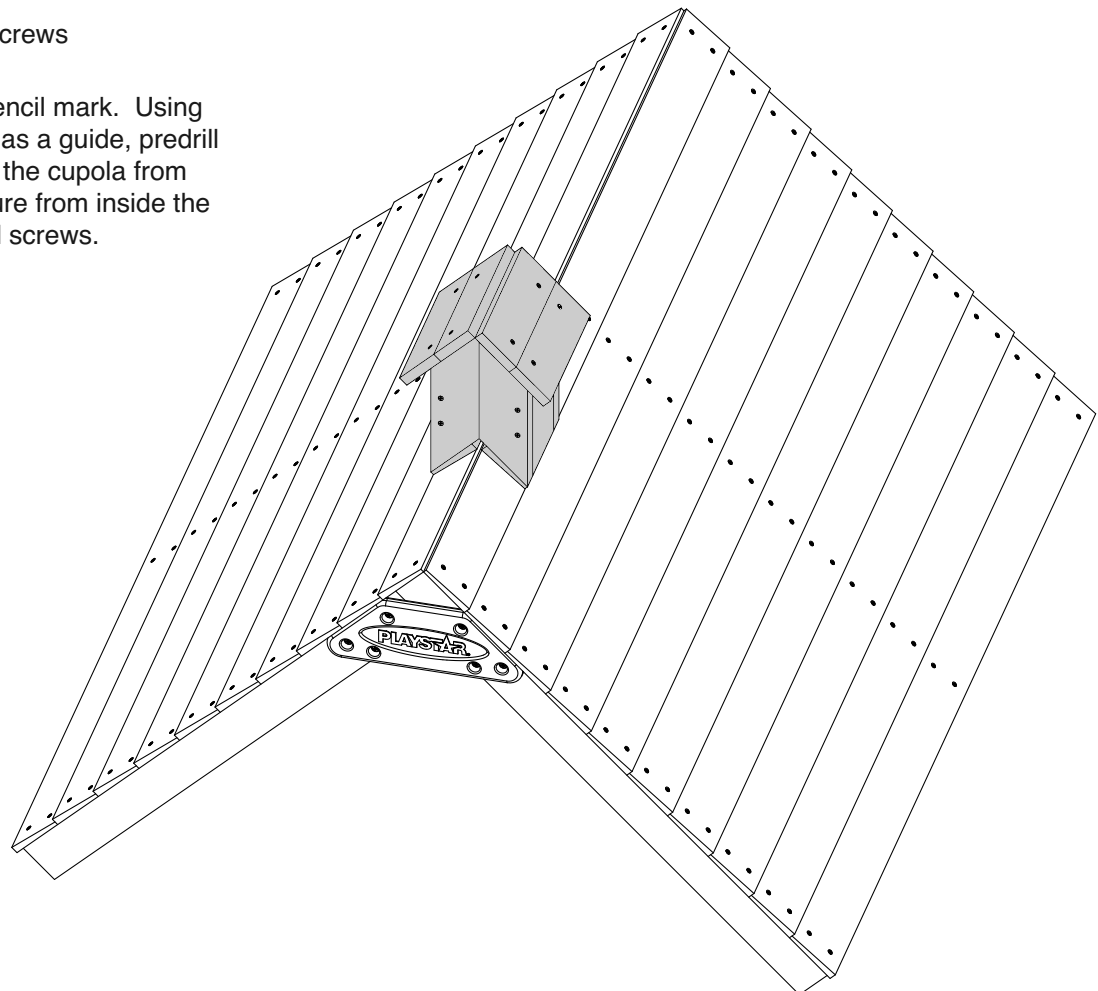
Attach the 1" x 4" x  $\frac{7}{8}$ " boards, with the thicker edge, to the inside as shown. Making sure all edges are flush, secure with #8 x  $1\frac{1}{2}$ " deck screws.



### Items for **STEP 8:**

- (4) #8 x 2" truss head screws

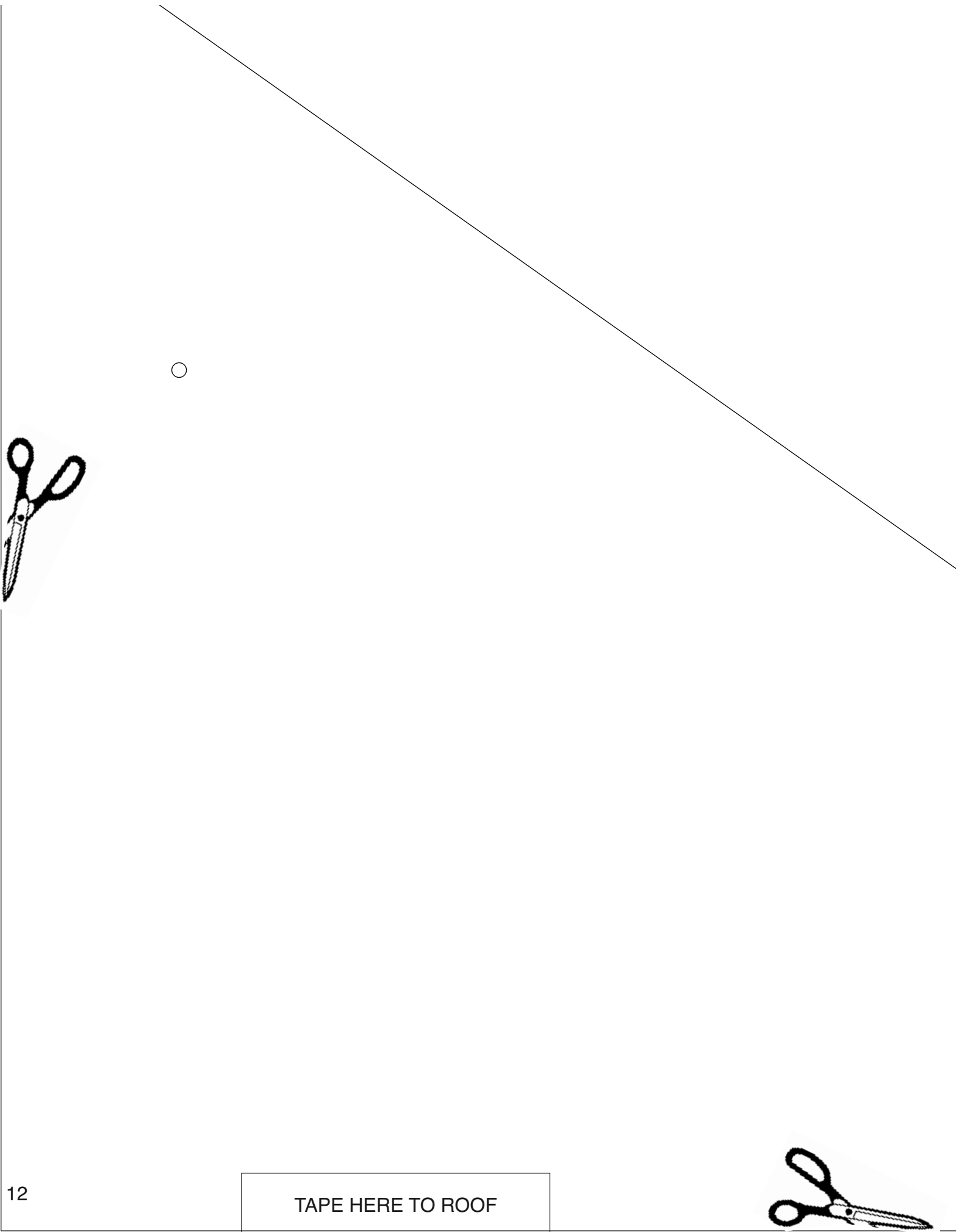
Align the cupola with the pencil mark. Using the previously drilled holes as a guide, predrill  $\frac{1}{8}$ " holes into the bottom of the cupola from the inside of the roof. Secure from inside the roof with #8 x 2" truss head screws.





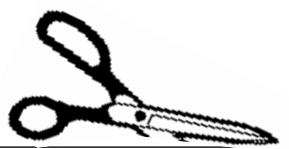
**This page left blank intentionally - Dormer Template on reverse side that will need to be cut out.**



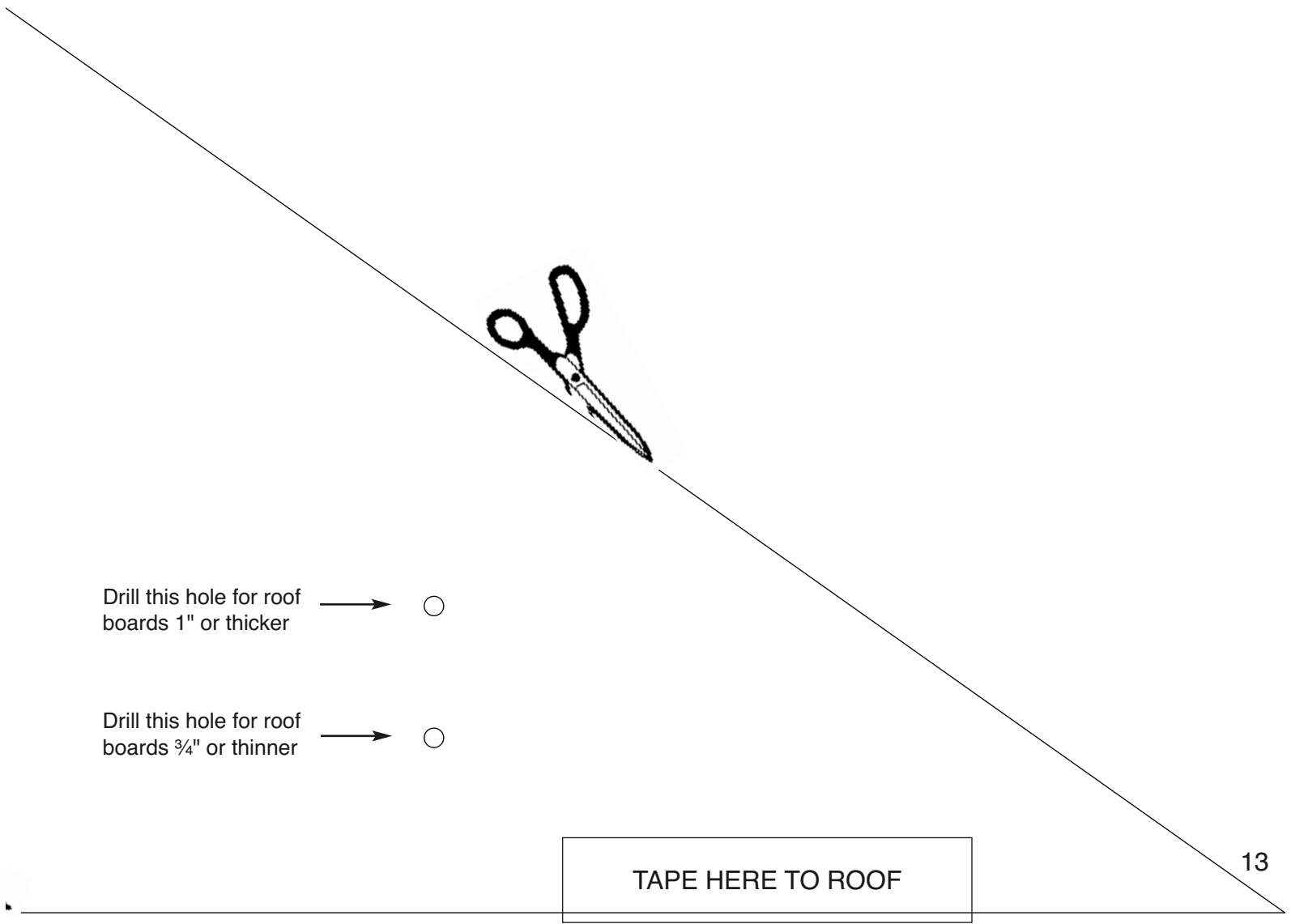


12

TAPE HERE TO ROOF



**Dormer Template (cut out) used in Step 4 on Page 6.**



Drill this hole for roof boards 1" or thicker → ○

Drill this hole for roof boards 3/4" or thinner → ○

TAPE HERE TO ROOF

13



**This page left blank intentionally - Dormer Template on reverse side that will need to be cut out.**

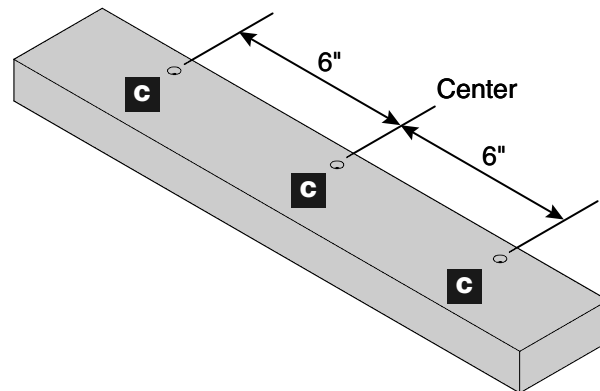


# FLOWER BOX ASSEMBLY

## Items for STEP 1:

- (1) 2" x 4" x 18<sup>5</sup>/<sub>8</sub>" board

Predrill and countersink board at dimensions shown.

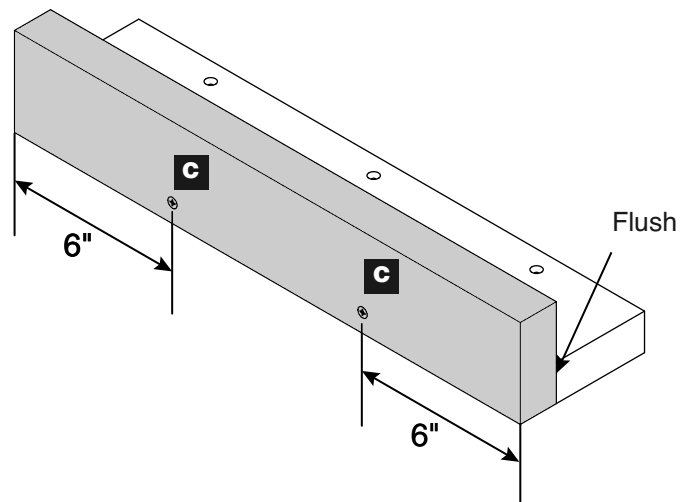


SEE PAGE 4 FOR HOLE PATTERNS

## Items for STEP 2:

- (1) 2" x 4" x 18<sup>5</sup>/<sub>8</sub>" board
- (2) #8 x 2<sup>1</sup>/<sub>2</sub>" deck screws

Attach board as shown. Secure with #8 x 2<sup>1</sup>/<sub>2</sub>" deck screws.

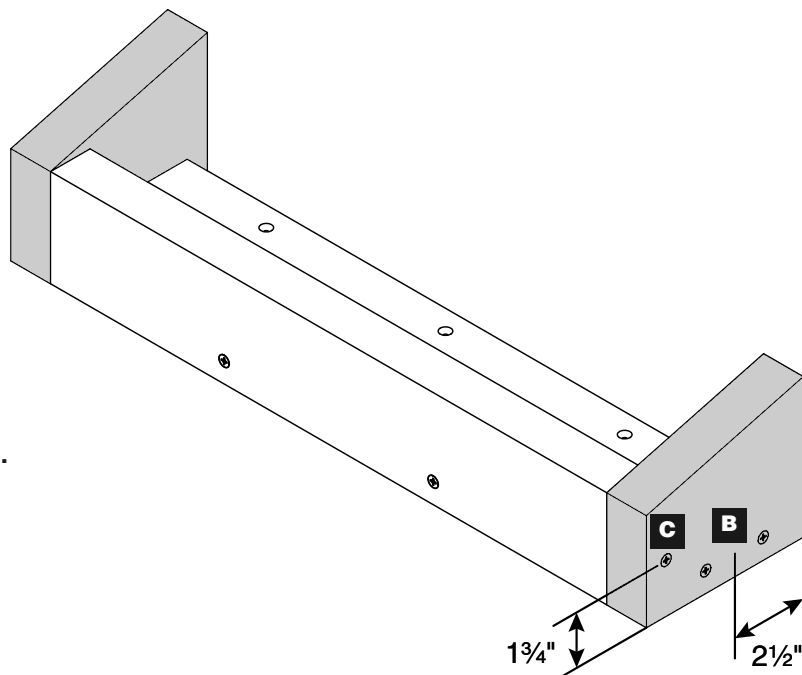


SEE PAGE 4 FOR HOLE PATTERNS

## Items for STEP 3:

- (2) 2" x 6" x 4<sup>5</sup>/<sub>8</sub>" boards
- (6) #8 x 2<sup>1</sup>/<sub>2</sub>" deck screws

Attach 2" x 6" x 4<sup>5</sup>/<sub>8</sub>" as shown. Secure with #8 x 2<sup>1</sup>/<sub>2</sub>" deck screws.



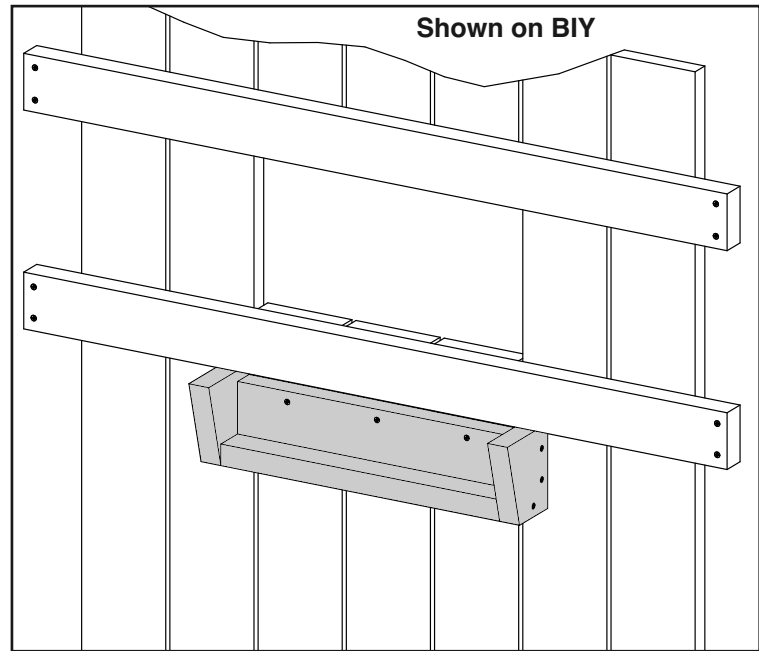
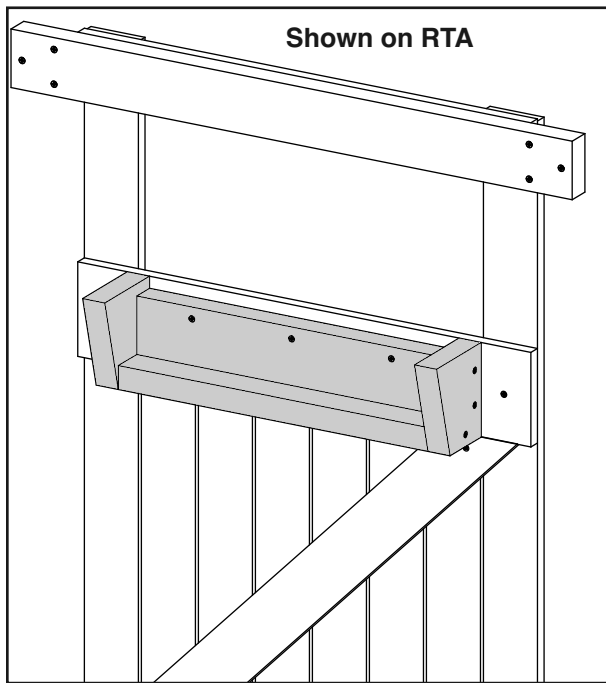
Repeat for other side mirroring screw locations.

SEE PAGE 4 FOR HOLE PATTERNS

**Items for STEP 4:**

- (3) #8 x 2½" deck screws

Set Flower Box at desired location. Using the holes pre-drilled in Step 1 as a guide, predrill ⅛" holes. Secure using #8 x 2½" deck screws.

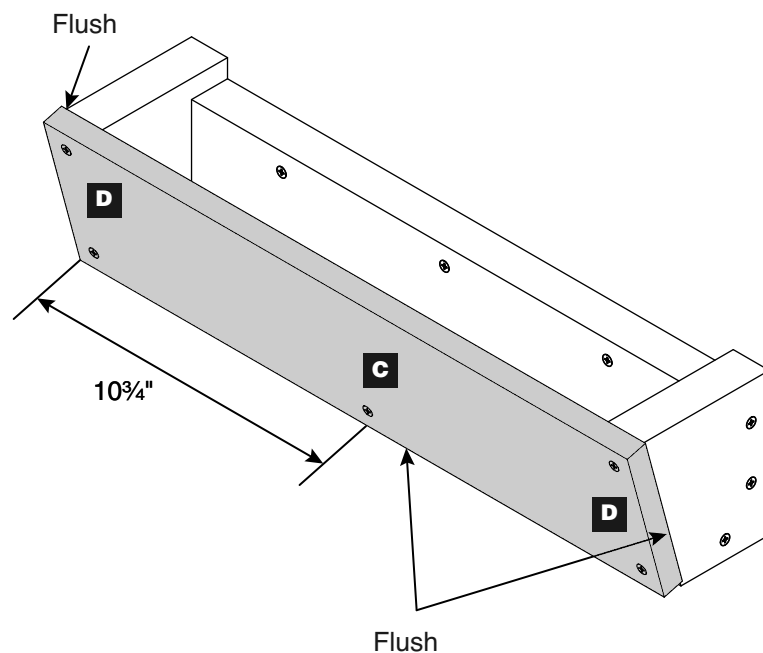


**Note:** You will want to locate flower box where there are thicker boards and the 2½" deck screw does not protrude through the backside.

**Items for STEP 5:**

- (1) 1" x 6" x 21½" board
- (5) #8 x 1½" deck screws

Attach 1" x 6" x 21½" board to the front of Flower Box as shown. Secure with #8 x 1½" deck screws.



**SEE PAGE 4 FOR HOLE PATTERNS**

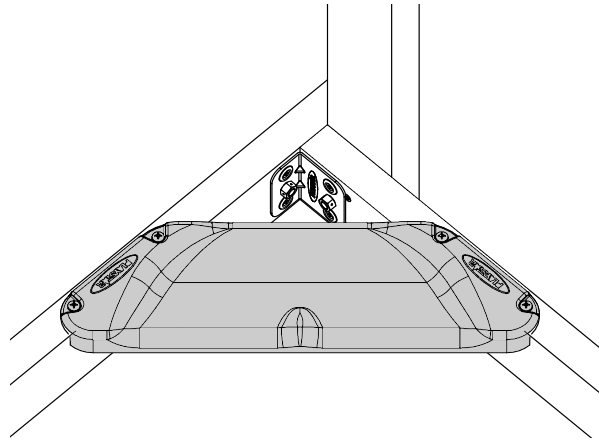


# SAND BOX SEAT

## Items for STEP 1:

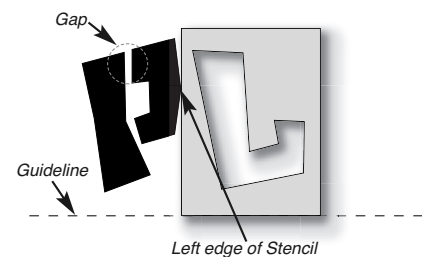
- (1) Sand Box Seat
- (4) #14 x 1 1/4" pan head screws

Position sand box seat as shown and mark holes. Drill 1/8" holes 1" deep into the board. Attach with #14 x 1 1/4" pan head screws.



# STENCIL SET INSTRUCTIONS

1. Separate stencil strips into individual letters (fold at perforation to make separating letters easier). Keep letters organized in alphabetical order and remove the center of each letter.
2. A permanent marker (purchased separately) will work well for this project.
3. Test stencil your name or message on a piece of paper. Draw a bottom guideline on the paper. Stencil one letter at a time, starting with the first letter of the word. Space each of the following letters by placing the left edge of the stencil so it touches or slightly overlaps the previous letter.
4. Use our stencil test sheet to aid in the aligning your name or message on the supplied activities in your playset.
5. When you stencil on a supplied activity, align each stencil with the bottom edge. Lightly tape to hold stencil in place. Stencil each letter following the same procedure as you did on the test sheet. After stenciling all the letters, leave gaps in the letters open or fill in with the marker for your desired look.

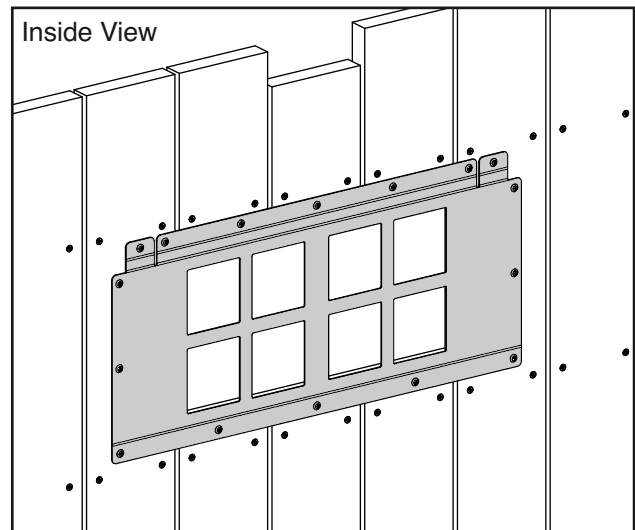
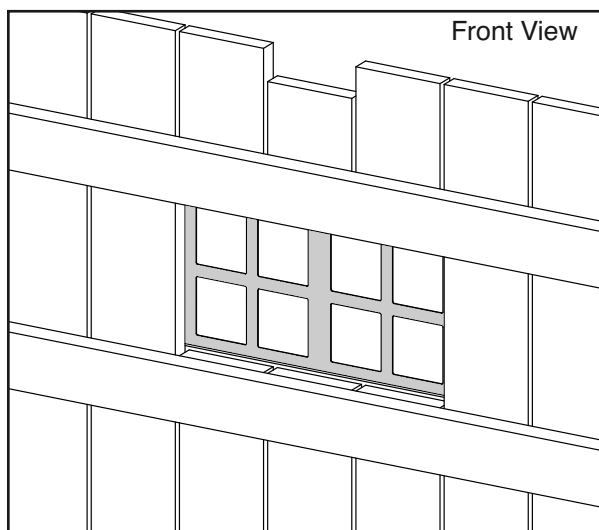


# SUNLIGHT WINDOW ASSEMBLY - BIY

## Items for STEP 1:

- (1) Sunlight Window
- (16) #8 x 5/8" truss head screws

From the inside of the tower, center Sunlight Window flat in opening as shown. Secure with #8 x 5/8" truss head screws.

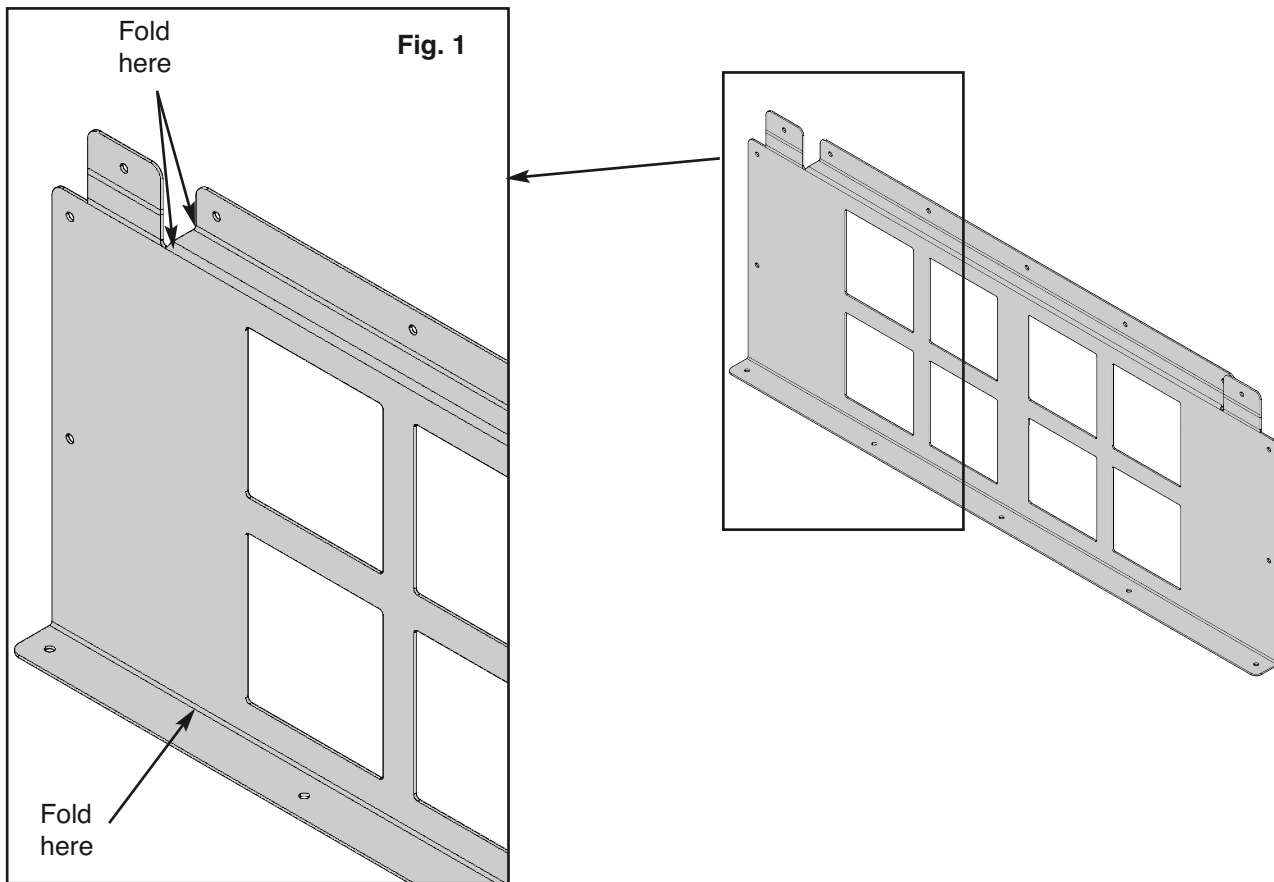


# SUNLIGHT WINDOW - RTA NARROW

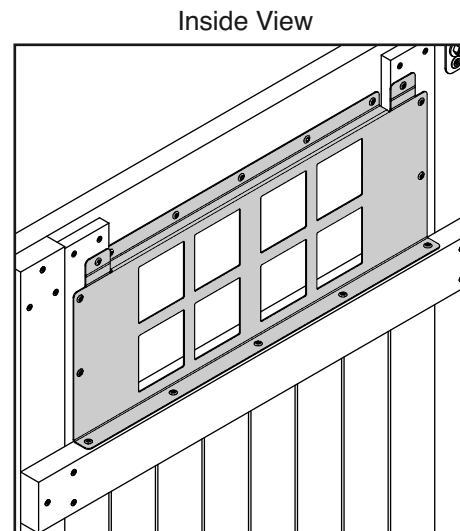
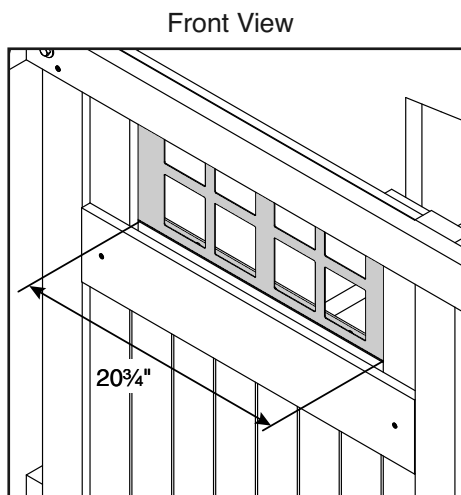
## Items for **STEP 1:**

- (1) Sunlight Window
- (16) #8 x 5/8" truss head screws

For window openings of approximately 20 3/4" wide, use a straight edge and fold on the scoring lines at 90° angle as shown. **Fig. 1**



Attach the window from the inside of the tower centering it in the opening as shown. Secure with #8 x 5/8" truss head screws.

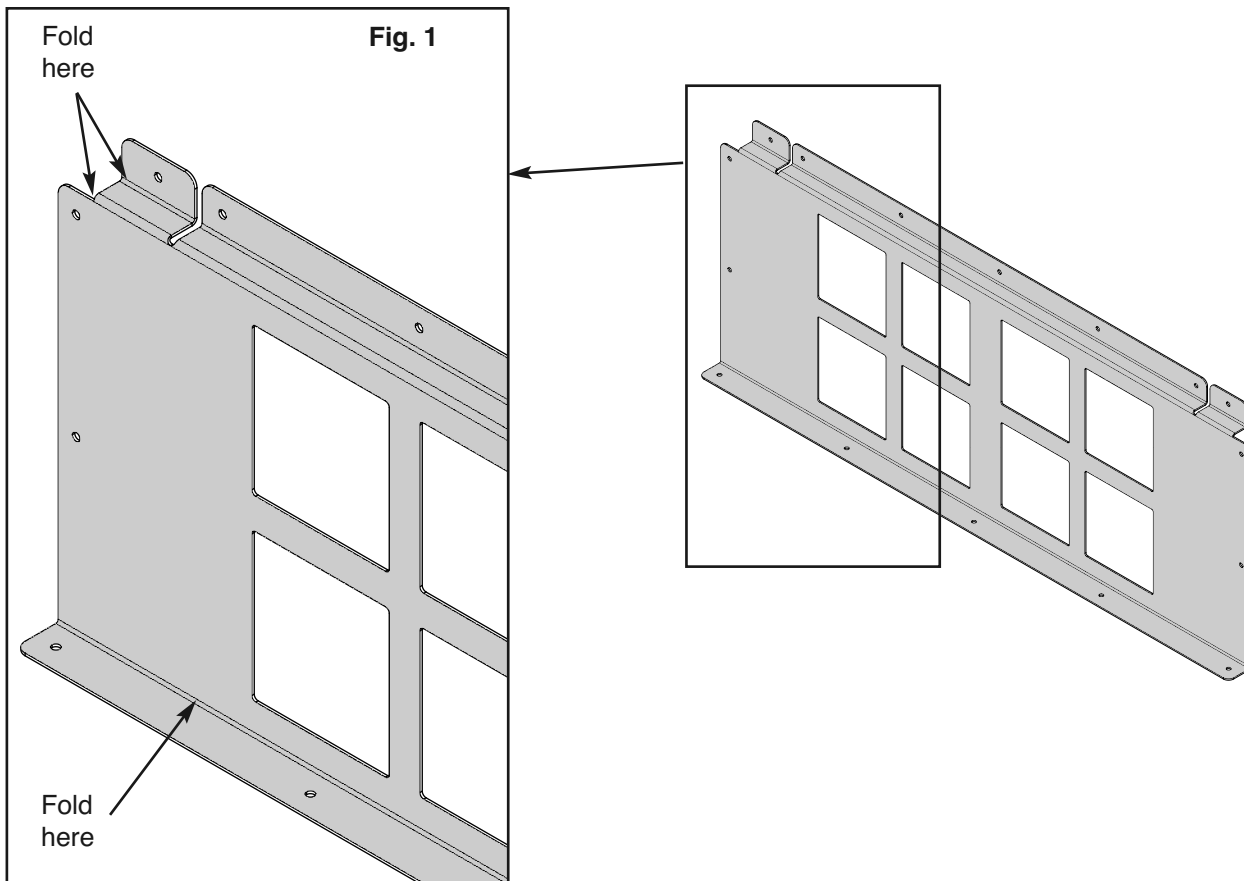


# SUNLIGHT WINDOW - RTA WIDE

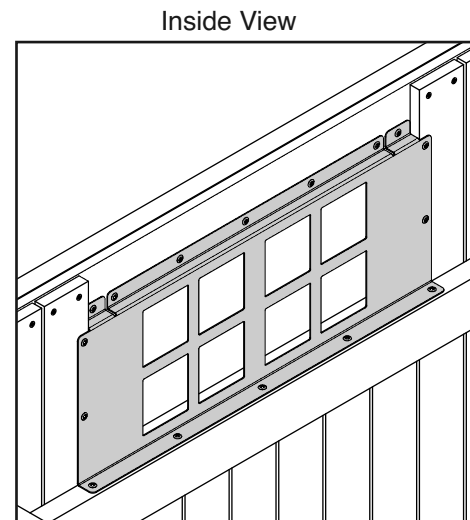
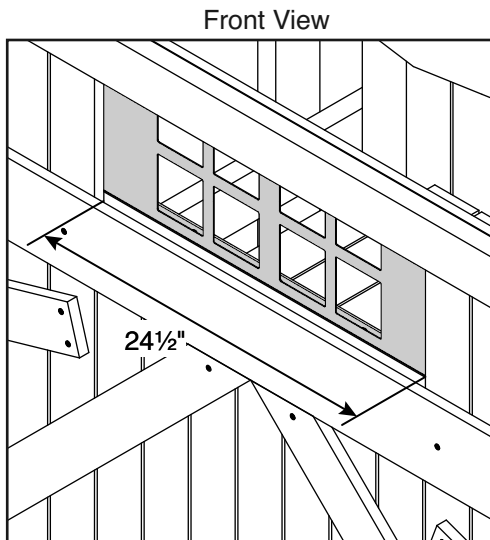
**Items for STEP 1:**

- (1) Window
- (16) #8 x 5/8" truss head screws

For window openings of approximately 24½" wide, use a straight edge and fold on the scoring lines at 90° angle as shown. **Fig. 1**



Attach the window from the inside of the tower centering it in the opening as shown. Secure with #8 x 5/8" truss head screws.

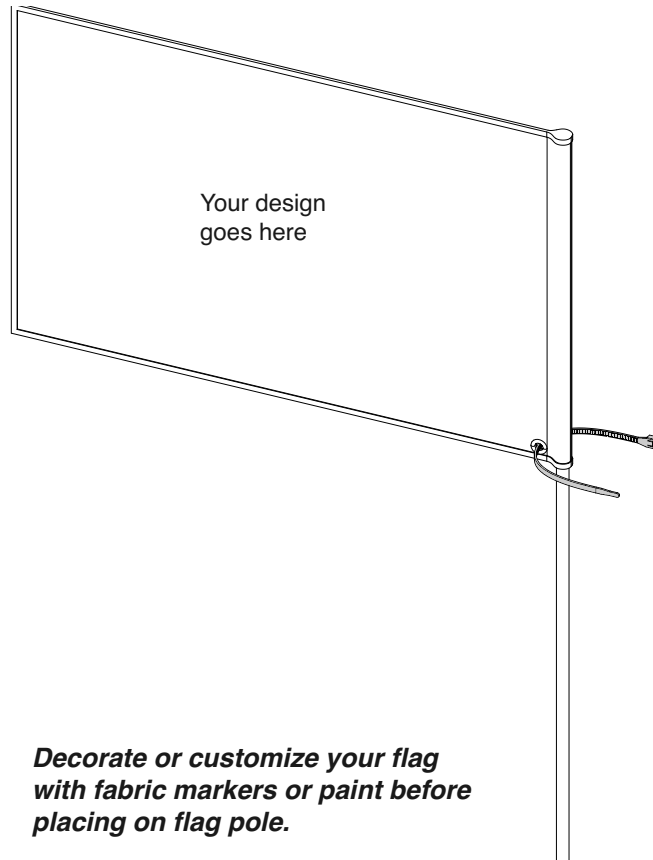
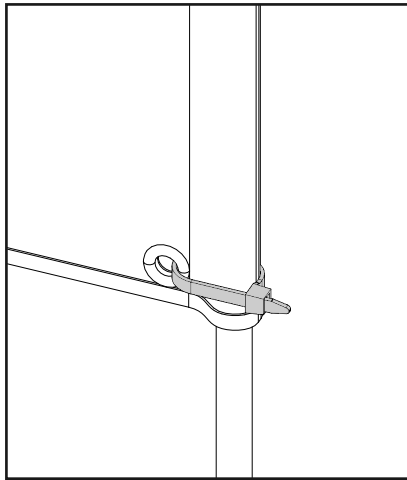


# DECORATE-A-FLAG

## Items for STEP 1:

- (1) Flag
- (1) Flag Pole
- (1) Zip Tie

Insert flag onto the flag pole with sewn edge on top as shown. Secure firmly with the zip tie. Trim the end of the zip tie with scissors flush with the head.



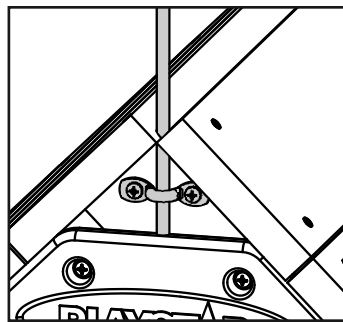
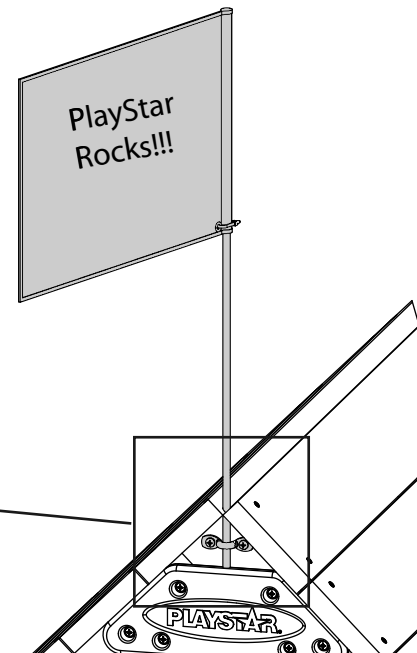
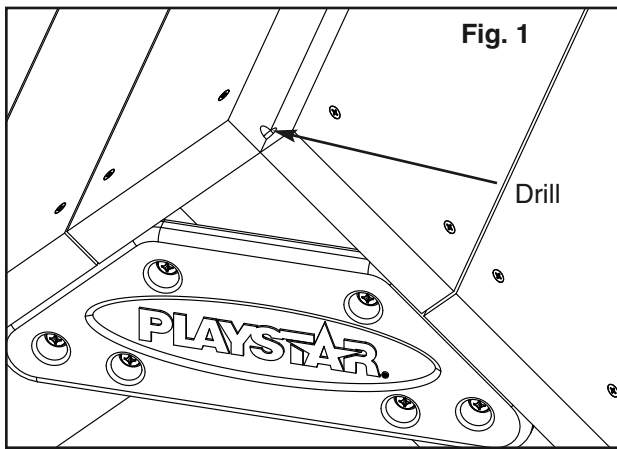
**Helpful Hint:** *Decorate or customize your flag with fabric markers or paint before placing on flag pole.*

## Items for STEP 2:

- (1) Flag Assembly
- (1) U-Strap
- (2) #14 x 1 1/4" pan head screws

At the location shown, drill a 3/8" hole at the top of the roof tangent to the roof frame as shown. **Fig. 1**

Slide the flag pole through the hole letting it rest on the roof cap. Secure with U-Strap as shown. Using the U-Strap as a pattern, drill 1/8" holes 1" deep into the board. Secure with #14 x 1 1/4" pan head screws.

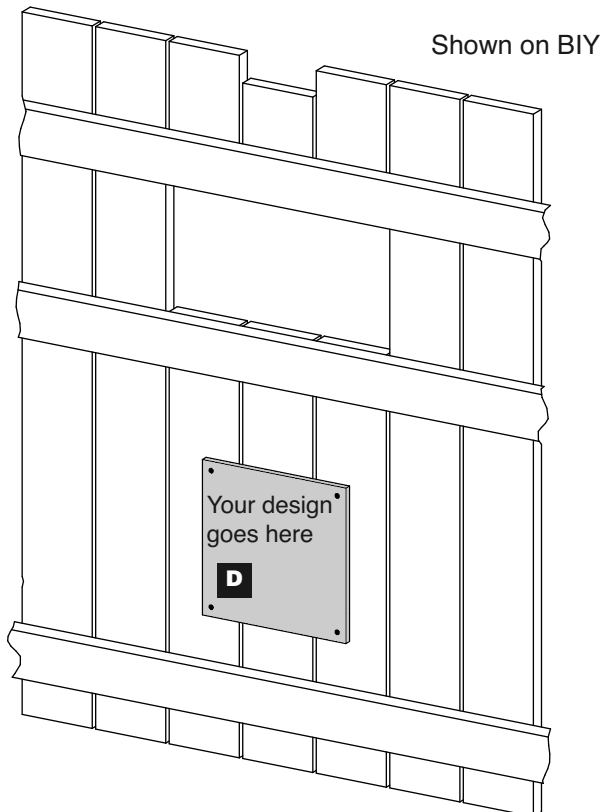
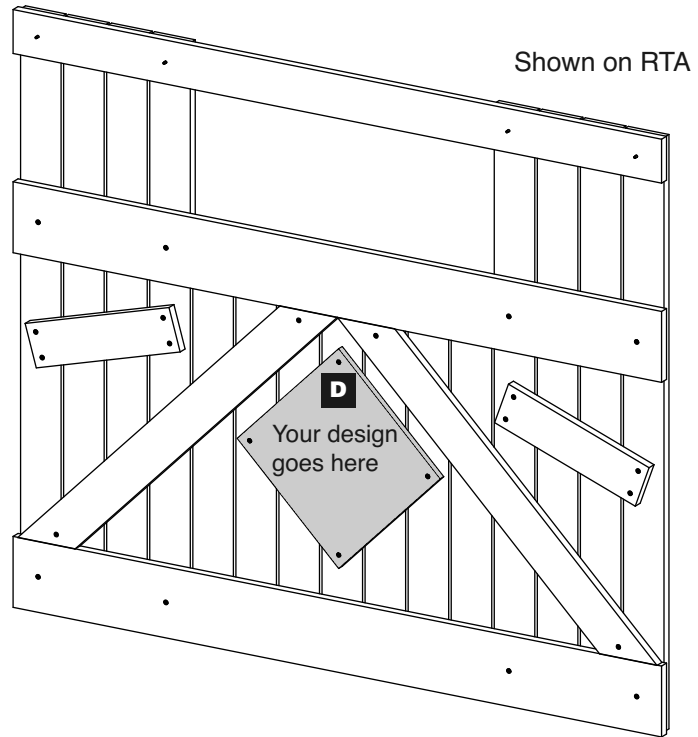


# DESIGN-A-PLAQUE

## Items for **STEP 1:**

- (1) Design-a-Plaque
- (4) #8 x 1" truss head screws

Plaque can be installed horizontal or diagonal. Position plaque at desired location. Secure with #8 x 1" truss head screws.



**SEE PAGE 4 FOR  
HOLE PATTERNS**

**Helpful Hint:** *Decorate or customize your plaque before placing on your playset.*

# MAGNETIC CHALKBOARD

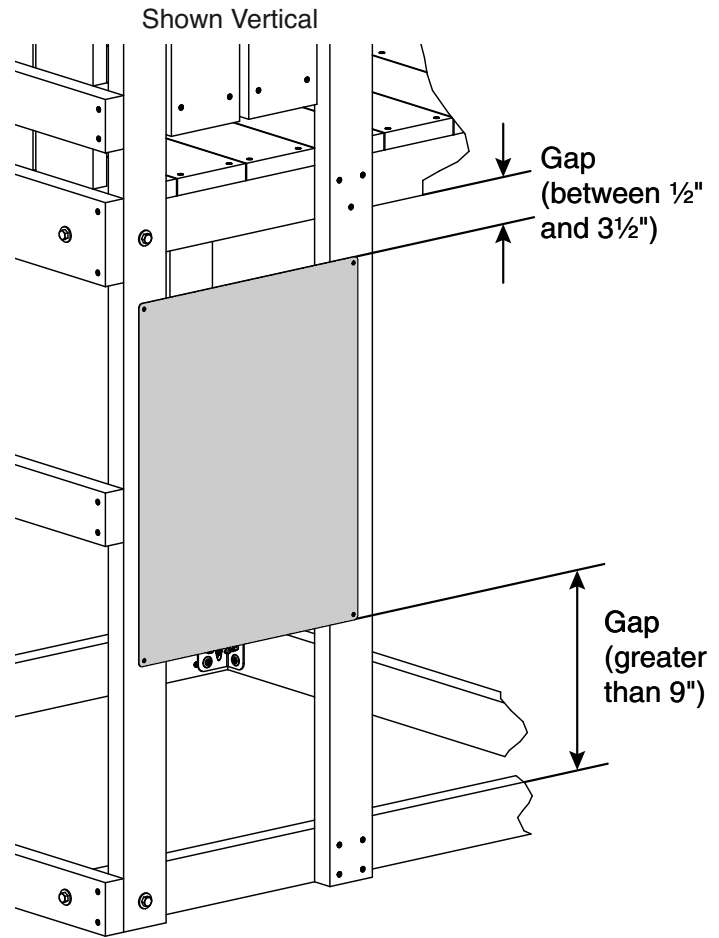
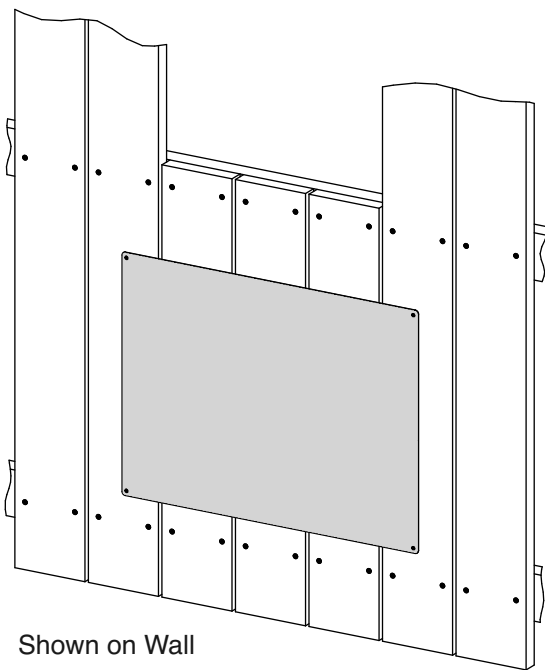
**Items for STEP 1:**

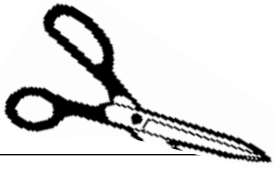
- (1) Magnetic Chalkboard
- (4) #8 x 5/8" truss head screws

Chalkboard can be installed horizontal or vertical. Position chalkboard at desired location. Secure with #8 x 5/8" truss head screws.

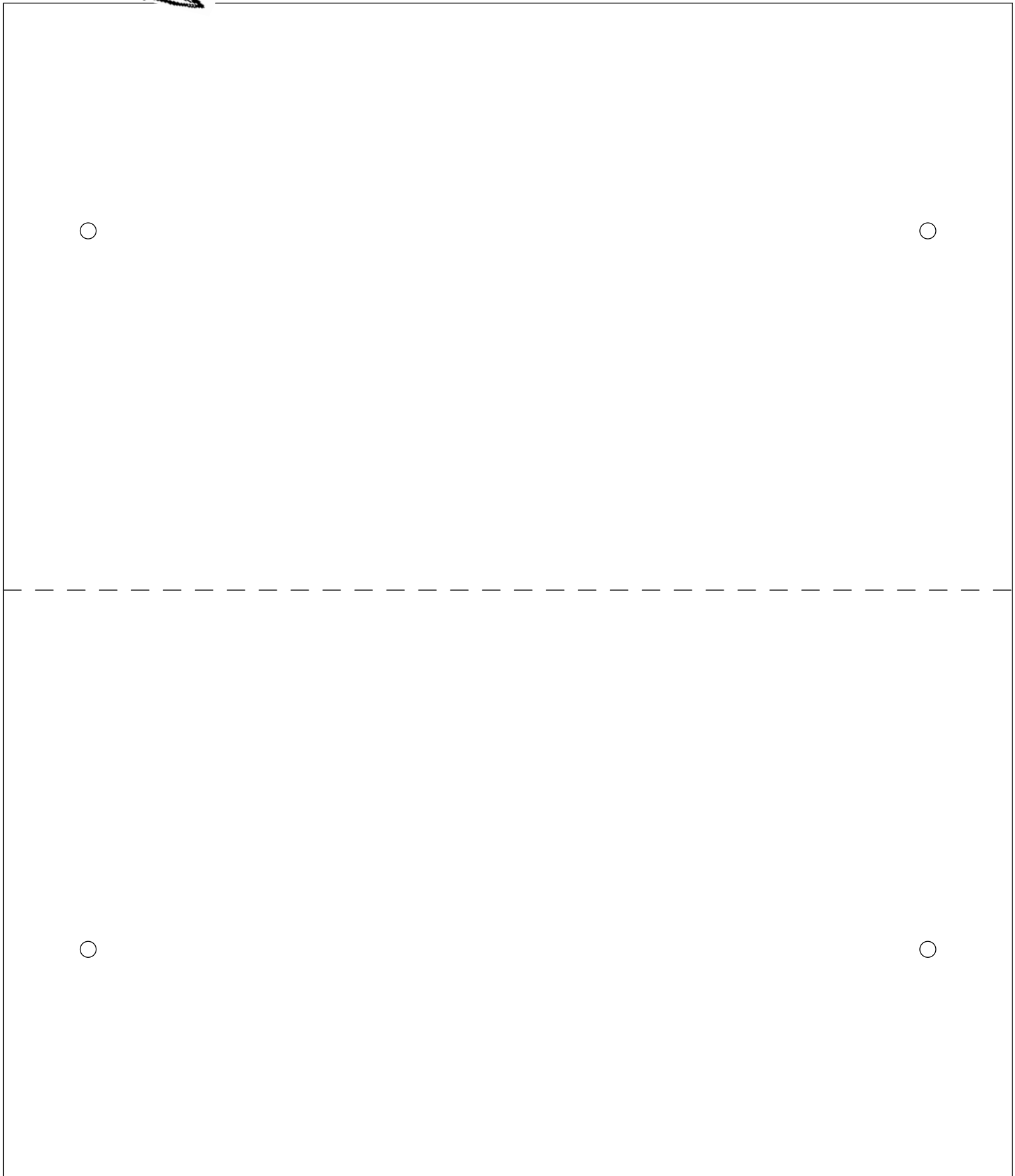
**Caution:** *To eliminate finger or head entrapments, all gaps around chalkboard - or to the nearest object - must meet the following guidelines:*

- \*smaller than 1/4"*
- \*between 1/2" and 3 1/2"*
- \*or greater than 9"*





**Cupola Template (cut out) used in Step 6 on Page 9.**



**T***Thank You for choosing PlayStar. Because it is our intention to make this a positive family experience, we have taken great care in preparing this product. Should you have any questions, or if we can assist you in any way, please call our friendly Customer Service Department for immediate action.*

**Do not return to the store.**  
**Please call us Toll Free at 1-888-PLAYSTAR**  
(752-9782)

Monday through Friday, 8:00 A.M. to 5:00 P.M. C.S.T.

Ask for Customer Service.

**We Will Gladly Help!**



PlayStar, Incorporated, Janesville, WI 53547

© 2014 PlayStar, Inc. Reproduction of this document in part or whole is prohibited without the permission of PlayStar, Inc.

Protected by one or more of the following United States or Foreign Patents: US D418,189; US D409,708; US D424,154; US D428,637; US 6,402,663; US D422,332; US D410,059; US 6,068,557; US 6,302,801; US 6,482,095; US 6,039,654; US D410,060; US D424,649; US 6,361,445; CA 2,304,345; US 6,540,645; US 6,709,365; US 6,942,600; US D513,779; US 6,991,550; CA D109,228; CA D109,224; CA D109,225; CA 2,304,113; US 6,629,907; US D517,636; US D518,530; US D520,590; US 520,591; US D534,613; US 7,186,183; US 7,189,034; US 7,253,951; US D548,760; US 7,304,810; CA D109,227; CA D109,226; CA D112,355; CA D113,437; CA D113,442; CA D114,067; CA D114,068; CA 2,304,896; CA D119,674; US D573,222; US 7,419,437; CA 2,304,068; CA 2,488,576; US D580,507; US D585,570; CA 2,490,923; CA 2,304,341; US 7,594,875; CA 2,304,043; CA 2,529,276; CA 2,633,628; CA 2,633,056; CA 2,498,701; CA 2,495,136; CA 2,488,600; CA 2,488,574