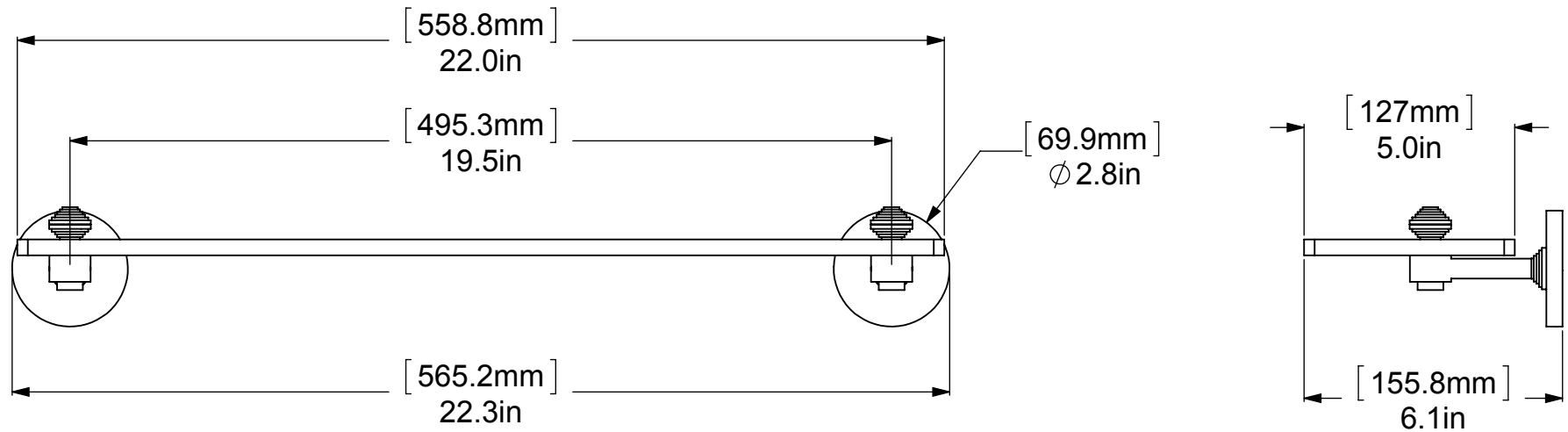
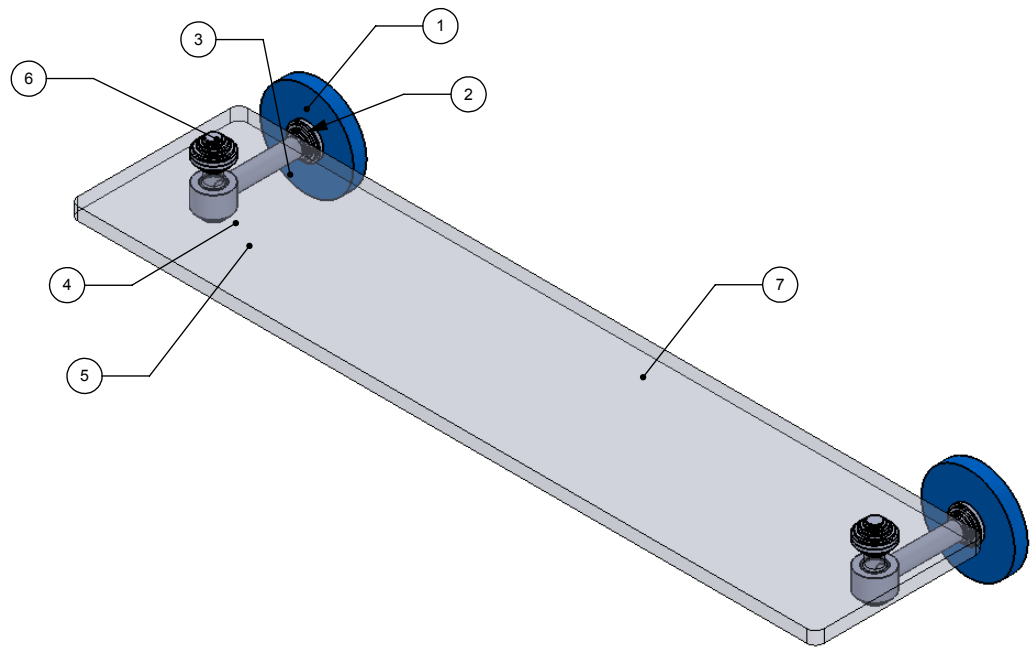


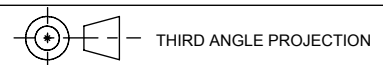
ITEM NO.	P/N	Description	QTY.
1	BPRD	BACKPLATE	2
2	RGNY	POST	4
3	TU12-2	TUBE	2
4	HB1T-1	HUB	2
5	CARD-58	LOCK	2
6	CANY-1	END CAP	2
7	GLRT-22	GLASS	1



UNLESS OTHERWISE STATED


.X	±.3mm
.XX	±.15mm
.XXX	±.008mm

COPYRIGHT © Allied Brass 2016



DRAWN	6/25/2016	I.M
CHECKED	6/25/2016	P.D
APPROVED	6/25/2016	R.A

MATERIAL:	BRASS
DESCRIPTION:	SHELF



FINISH	TBD
QUANTITY	TBD
DRAWING No.	SB-1-22
REV	0
SCALE	1:4
SHEET: 01	A4