

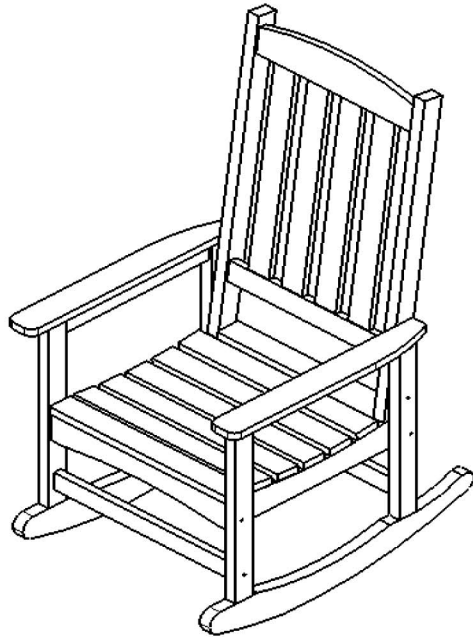


Thank you for choosing Sunnydaze Decor. If you have any questions, comments or concerns, feel free to contact us by phone at **888-881-4668**, by email: **customerservice@serenityhealth.com**, or via our contact us page at **www.SerenityHealth.com/contact-us**.

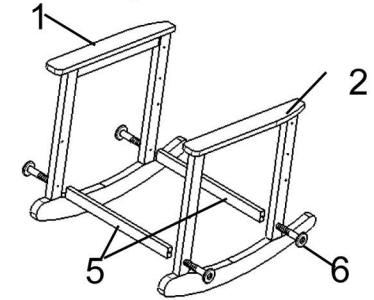
We stand behind our brand and the quality of the items we sell. We will send new parts or replace products at our discretion within the 1-year warranty period. Before we can help, you will need to provide proof of purchase with the date of purchase, and photos of the defective merchandise. We will use the photos to determine the cause of defect and for future quality control.

## All-Weather Rocking Chair Assembly Instructions

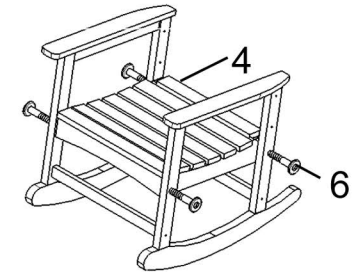
SKUs: BR-973, BF-980,  
BF-997, BF-000



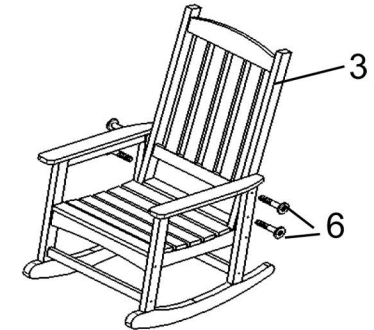
**STEP 1:** Use bolts (6) to attach legs (1) & (2) to the cross bar (5).



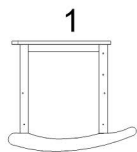
**STEP 2:** Use bolts (6) to attach legs (1) & (2) to the chair seat (4).



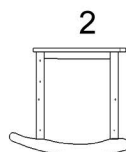
**STEP 3:** Use bolts (6) to attach legs (1) & (2) to the backrest (3).



5 M8X50MM bolt



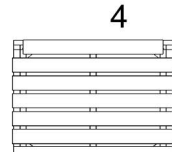
1X



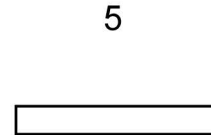
1X



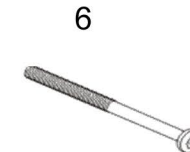
1X



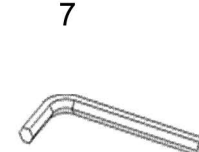
1X



2X



12X



1X