

Assembly Instructions

TABLE

CAUTION: You must read this before you proceed.



CAUTION : This Table is NOT a TOY.

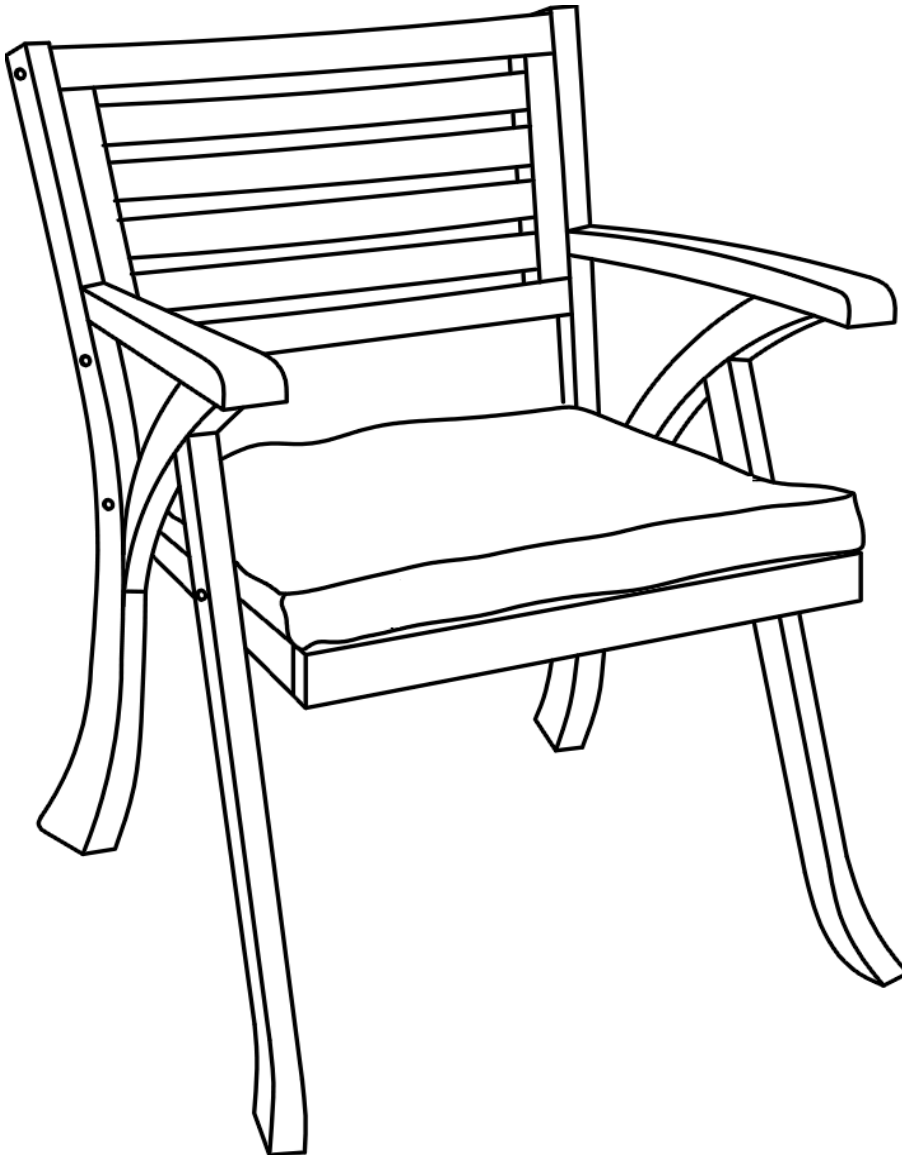
Keep your child / children at bay during the assembly process.

For moving the Table and to prevent damage to the Table, two adults may be needed to execute this action.

Assembly Instructions

Caution : You must read this before you proceed

DINING CHAIR

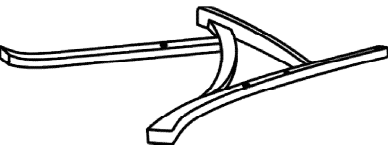
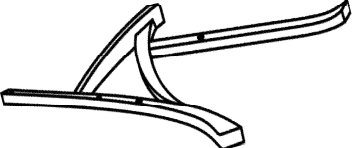
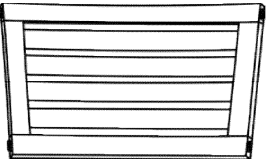
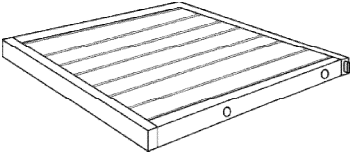



CAUTION: This Chair is NOT a TOY.

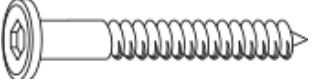



Keep your child / children at bay during the assembly process.

For moving the Chair and to prevent damage to the Chair, two adults are needed to execute this action.

Parts List

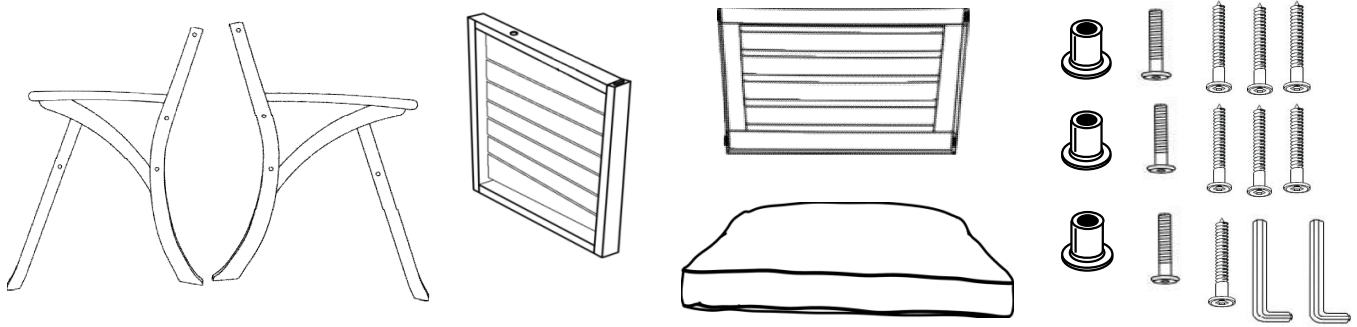
Label	Picture	Description	QTY
A		Left Leg	1
B		Right Leg	1
C		Backrest	1
D		Seat Panel	1
E		Seat Cushion	1






Hardware

Label	Picture	Description	QTY
①		Screw (M6x45mm)	7
②		Bolt (M6x40mm)	3
③		Sleeve Nut (M6x13mm)	3
④		Allen Key	2

Assembly Preparation

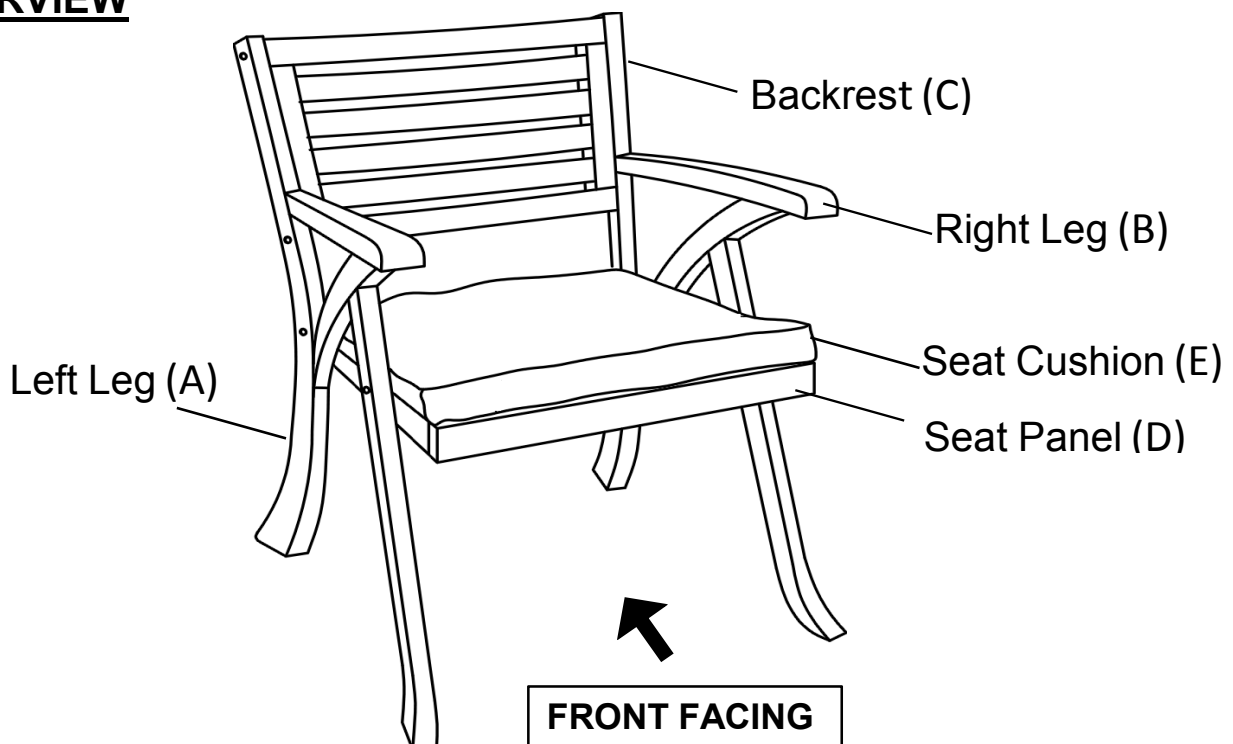
Before Beginning Assembly:



-  • Read instructions, cover to cover-
-  • Have 2 adults on hand for assembly-
-  • Do not assemble on flooring or carpet-
-  • Assemble on a clean non-marring surface (packing foam)-
-  • Save all packaging until finished-

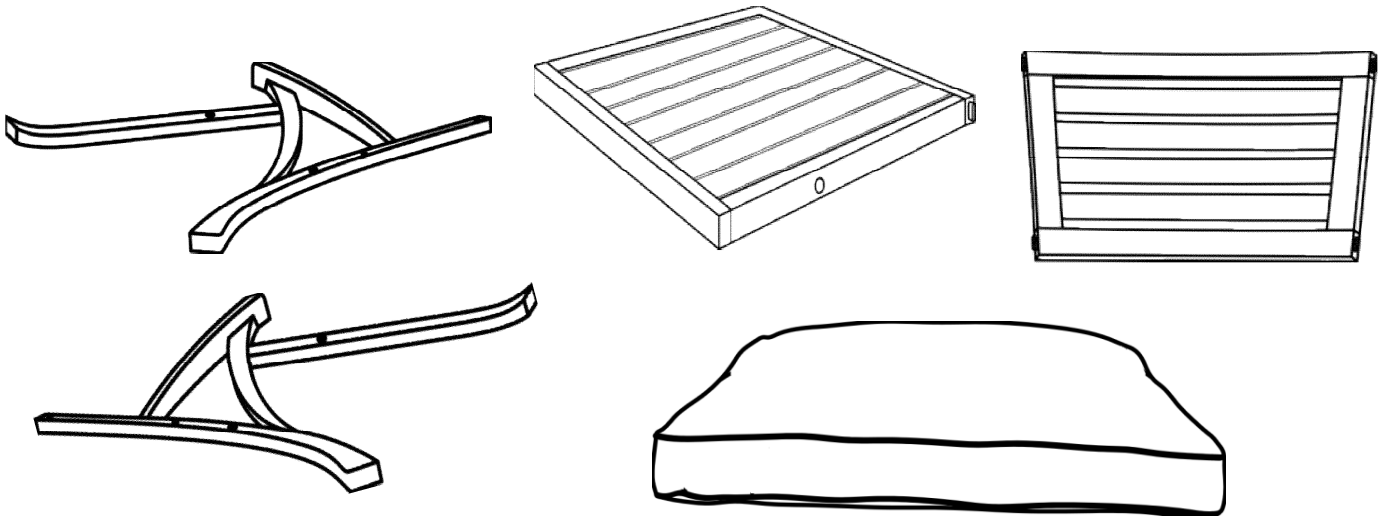
Assembly Steps

OVERVIEW



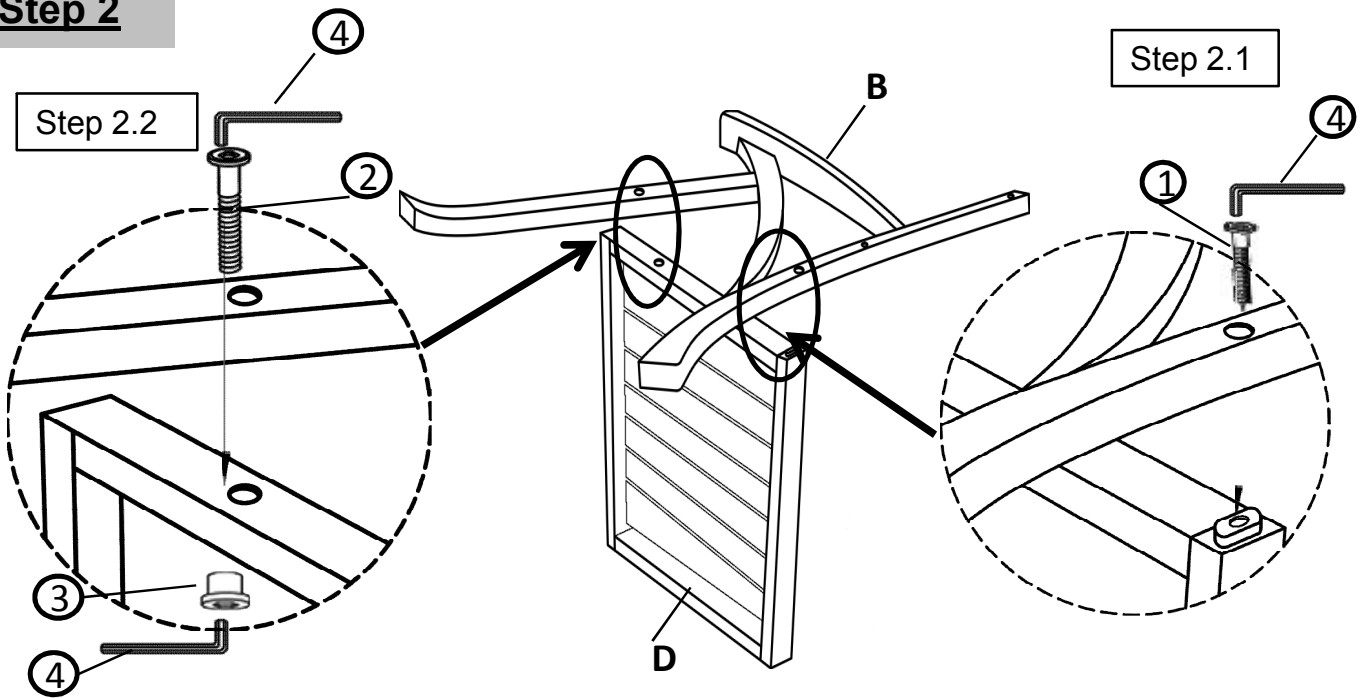
This Chair has multiple parts and may require up to some 30 minutes to assemble. To give you an overview of the Chair parts, the above picture is to help you put the various parts into perspective. Please read through the instructions below to familiarise yourself with the parts and steps before assembly.

Step 1



Unpack and place all parts on a clean, non-marring surface.

Step 2

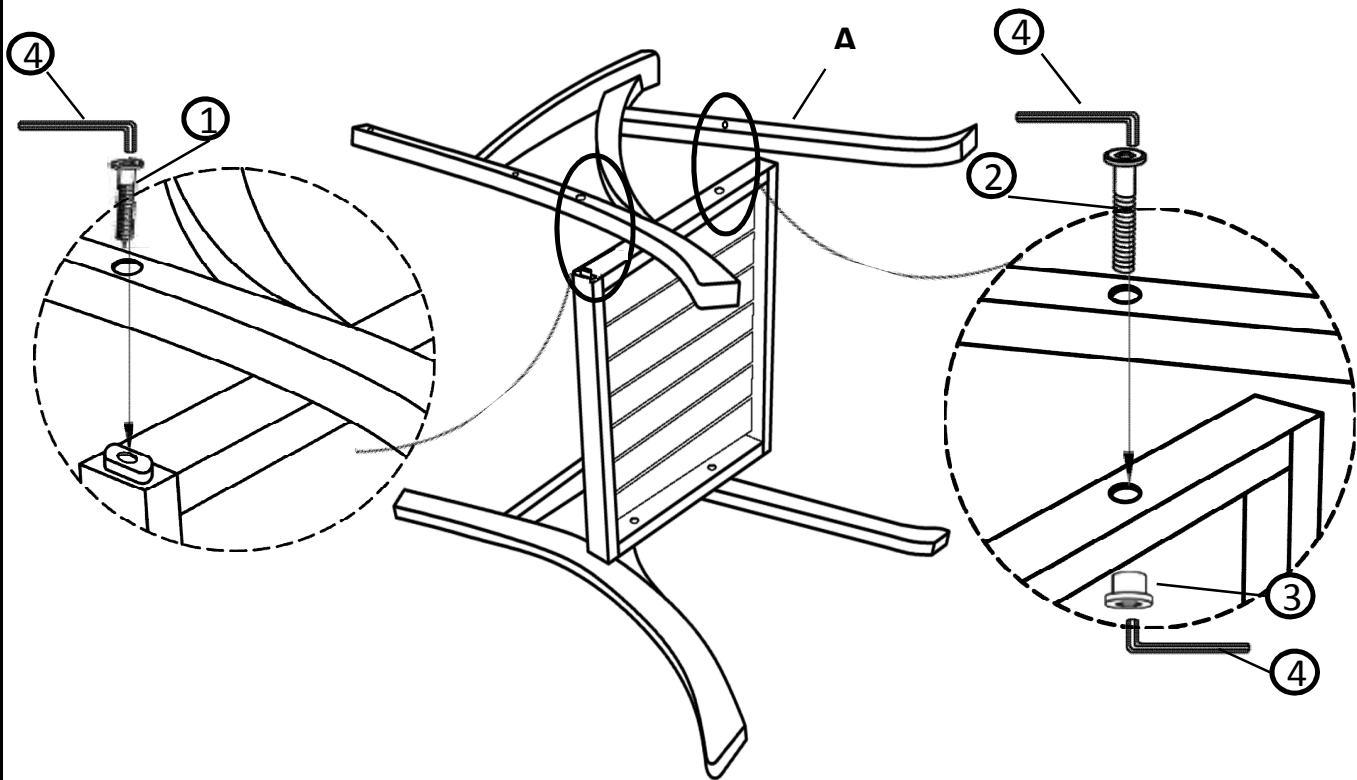


2.1) Position Right Leg(B) and Seat Panel(D) as shown in picture above. Secure Right Leg(B) and Seat Panel(D) using Screw(①) with Allen Key(④).

2.2) Secure Right Leg(B) and Seat Panel(D) using Bolt(②), and Sleeve Nut(③) with Allen Key(④).

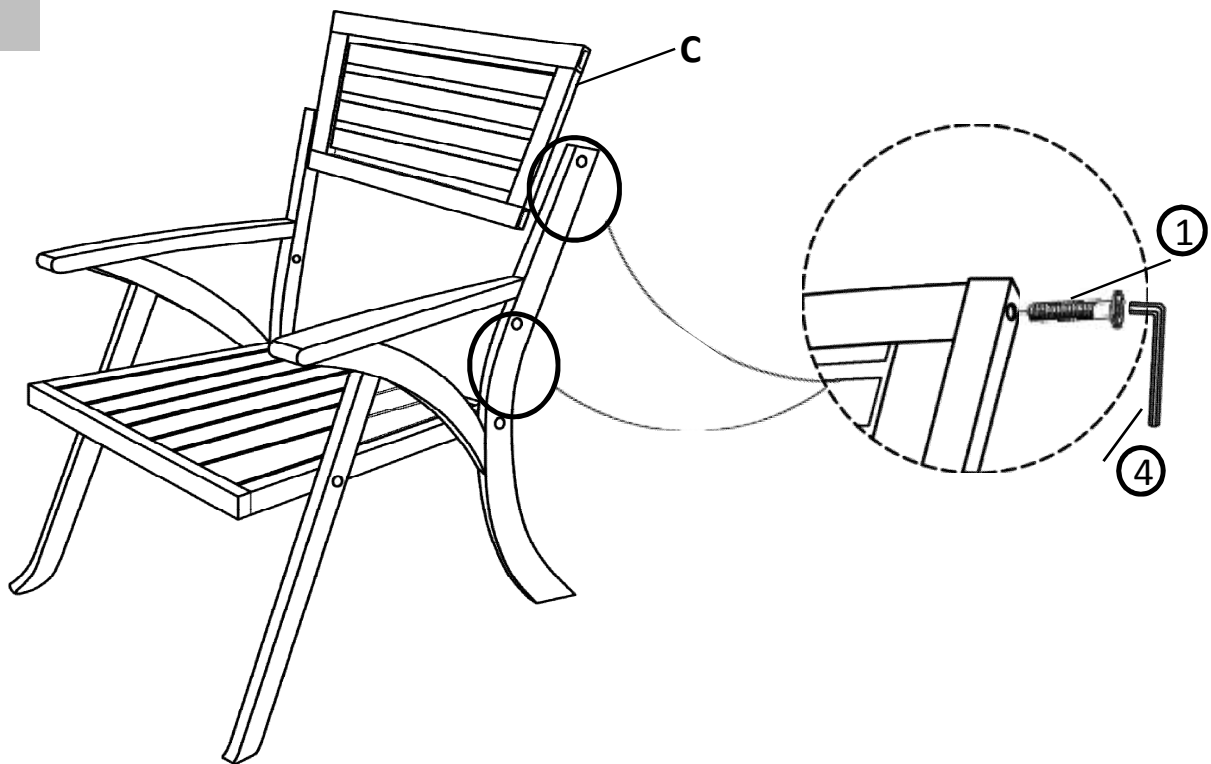
Only loosely tighten the Screws and Bolts.

Step 3



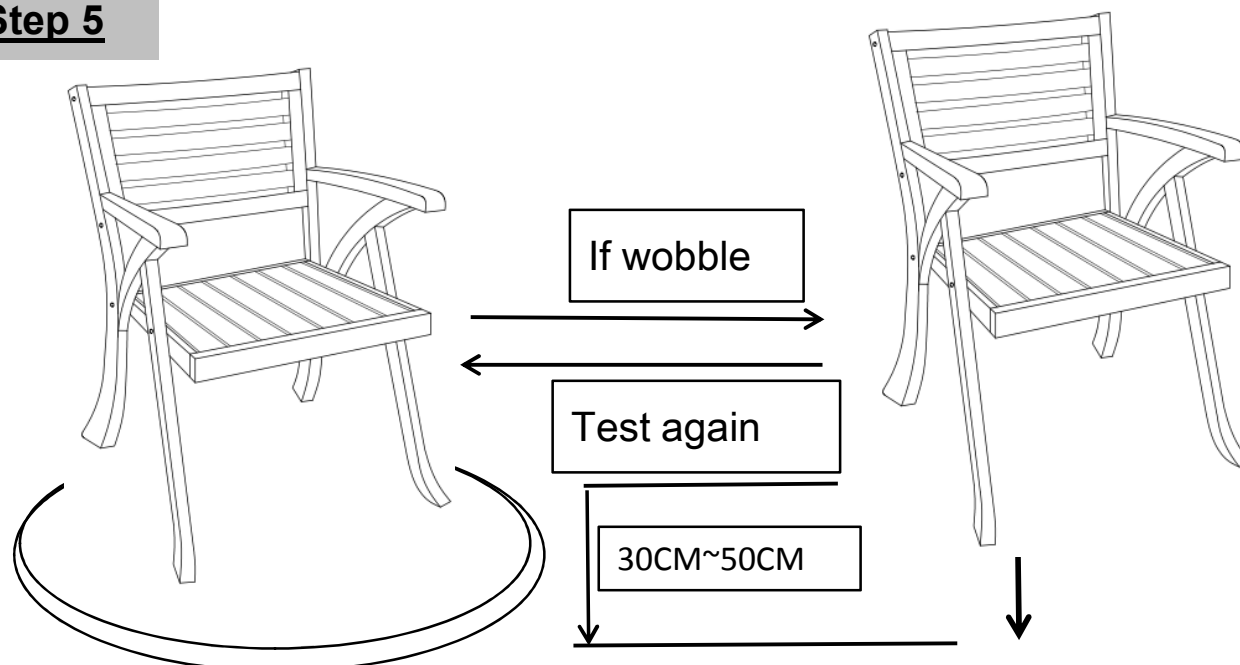
With the help of your partner, turn the Chair over and rest on Right Leg(B). Repeat the same process from the previous step to attach the Left Leg(A). **Only loosely tighten the Screws and Bolts.**

Step 4



Place Backrest(C) into the housing of Left Leg(A) and Right Leg(B). You may need to apply a little pressure to the Legs, pushing outwards, to enable the Backrest(C) to be slotted into position. Secure Backrest(C) and Legs using Screws(1) with Allen Key(4). **Only loosely tighten the Screws.**

Step 5



Place the Chair right side up on a LEVEL SURFACE to see if it wobbles.

If it wobbles, lift the Chair to some 30cm to 50cm height from the ground.

Keep your feet and toes well away from the drop zone.

Drop the Chair freely and vertically with the four legs, hitting the ground, at the same time. This Drop Test will help to ensure that all the Bolts, Screws and gaps all reach full alignment status.

Test again for evenness on a LEVEL SURFACE.

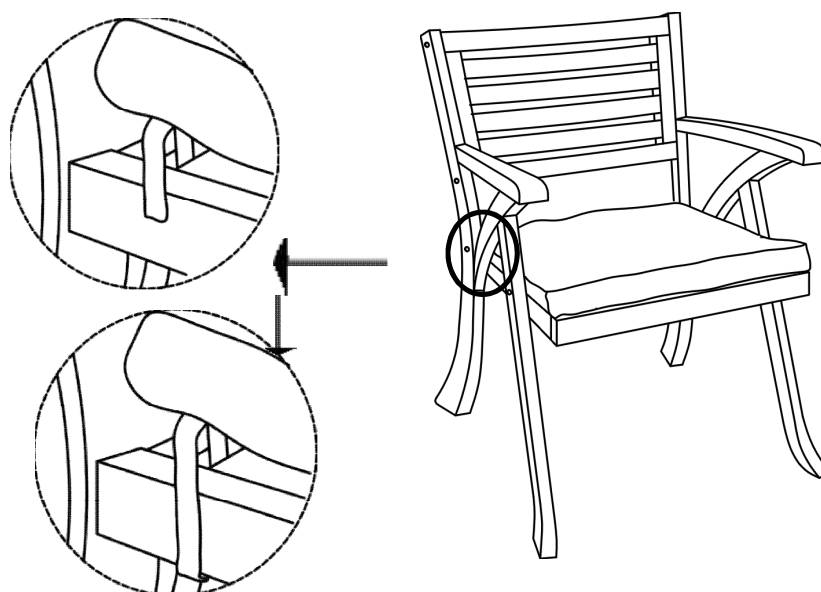
If no wobbles are found, proceed to tighten all the Screws, and Bolts.

CAUTION: When tightening the Screws, and Bolts tighten sequentially. DO NOT tighten any Bolt, or Screw fully and then move towards the next one. This could cause the frame to warp.

If there are still wobbles, loosen the Screws and Bolts and execute this same drop tests.

If the Chair is not stable, it could lead to damage to the product.

Step 6



Inspect the Chair and make sure all parts are adequately connected.

Place Seat Cushion(C) on to the seat of the Chair using the velcro straps as shown above.

Your Chair is ready for use.

This Chair can only be used on a flat, level surface.

Care & Maintenance



- Do not put hot items directly on furniture surface.



- Do not clean furniture with harsh cleansers or polish.



- To obtain the longest lifespan of your outdoor products, minimizing exposure to direct sunlight is recommended.



- Children should not climb or jump on the furniture.



- Do not write on furniture without a padded barrier to protect the surface.



- To obtain the longest lifespan of your outdoor products, avoid extended and lengthy exposure to rain, snow, and direct sunshine. Whenever possible cover the product and /or place under patio or awnings.



- Not for commercial use. For residential use only .

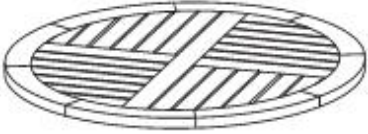




- Stains may be removed with mild soap solution and damp cloth.





- Dust and pick-up spills using a clean, non-colored, lint-free cloth .

Parts List

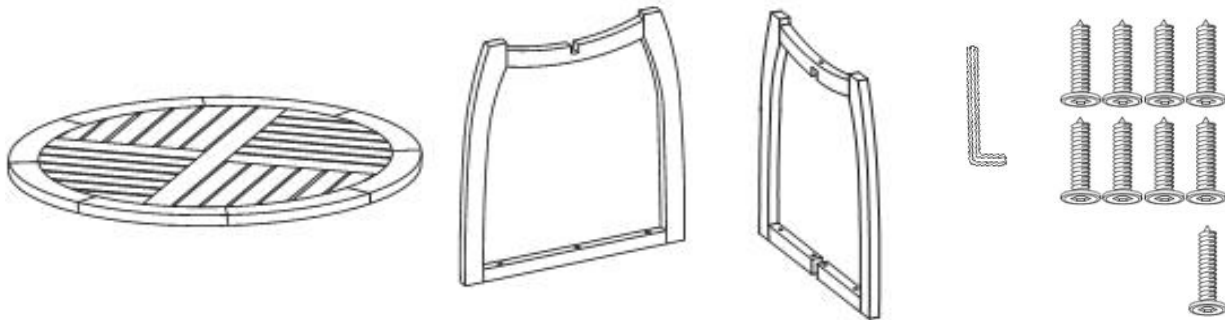
No.	Picture	Description	Qty
A		Table Top	1
B		First Leg Panel (Labelled B)	1
C		Second Leg Panel (Labelled C)	1

Hardware

No.	Picture	Description	Qty
①		Screws (M6x45mm)	9
②		Allen Key	1

Assembly Preparation

Before Beginning Assembly:



Read instructions, cover to cover.



Have 2 adults on hand for assembly.



Do not assemble on flooring or carpet.



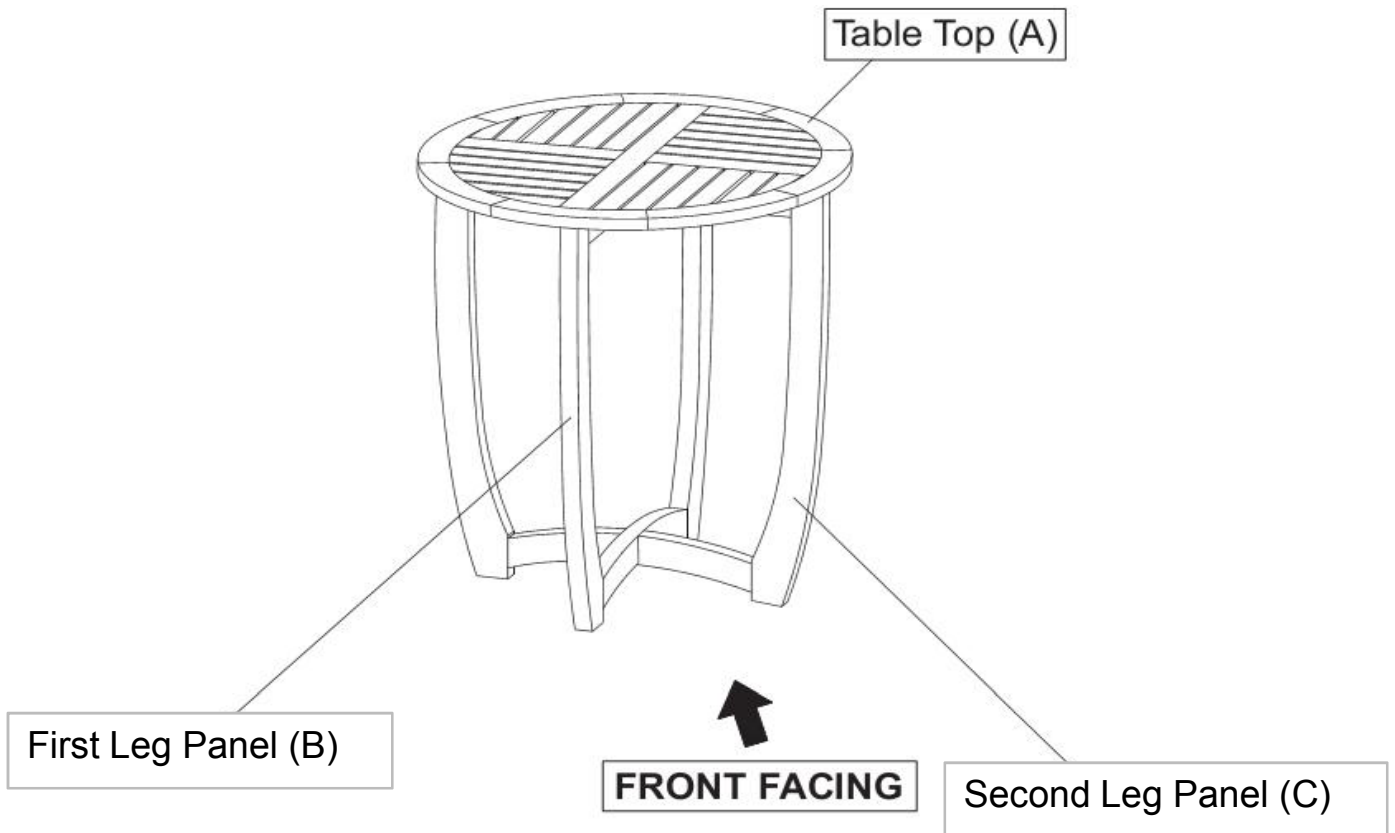
Assemble on a clean non-marring surface (packing foam).



Save all packaging until finished.

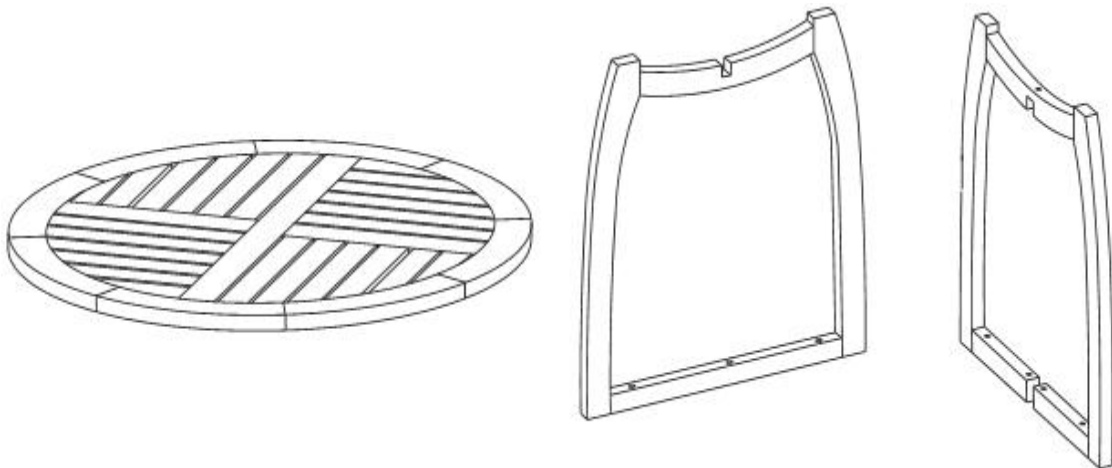
Assembly Steps

OVERVIEW



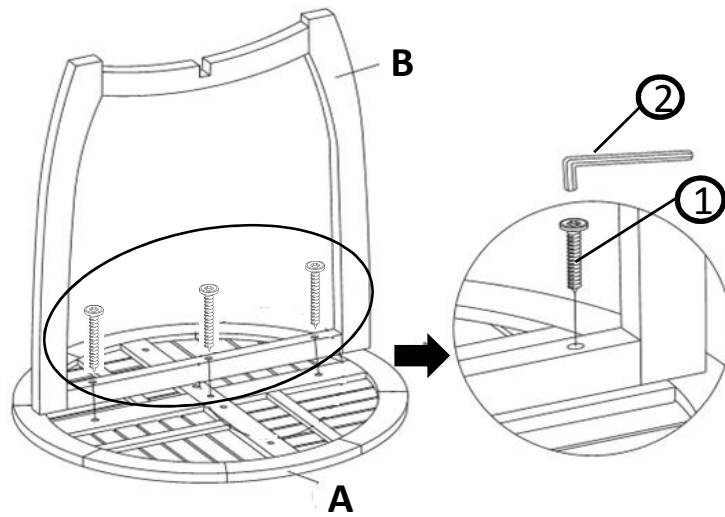
This Table has multiple parts and may require up to 30 minutes to assemble. To give you an overview of the Table parts, the above picture is to help you put the various parts into perspective. Please read through the instructions below to familiarise yourself with the parts and steps before assembly.

Step 1



Unpack and place all parts on a clean, non-marring surface.

Step 2



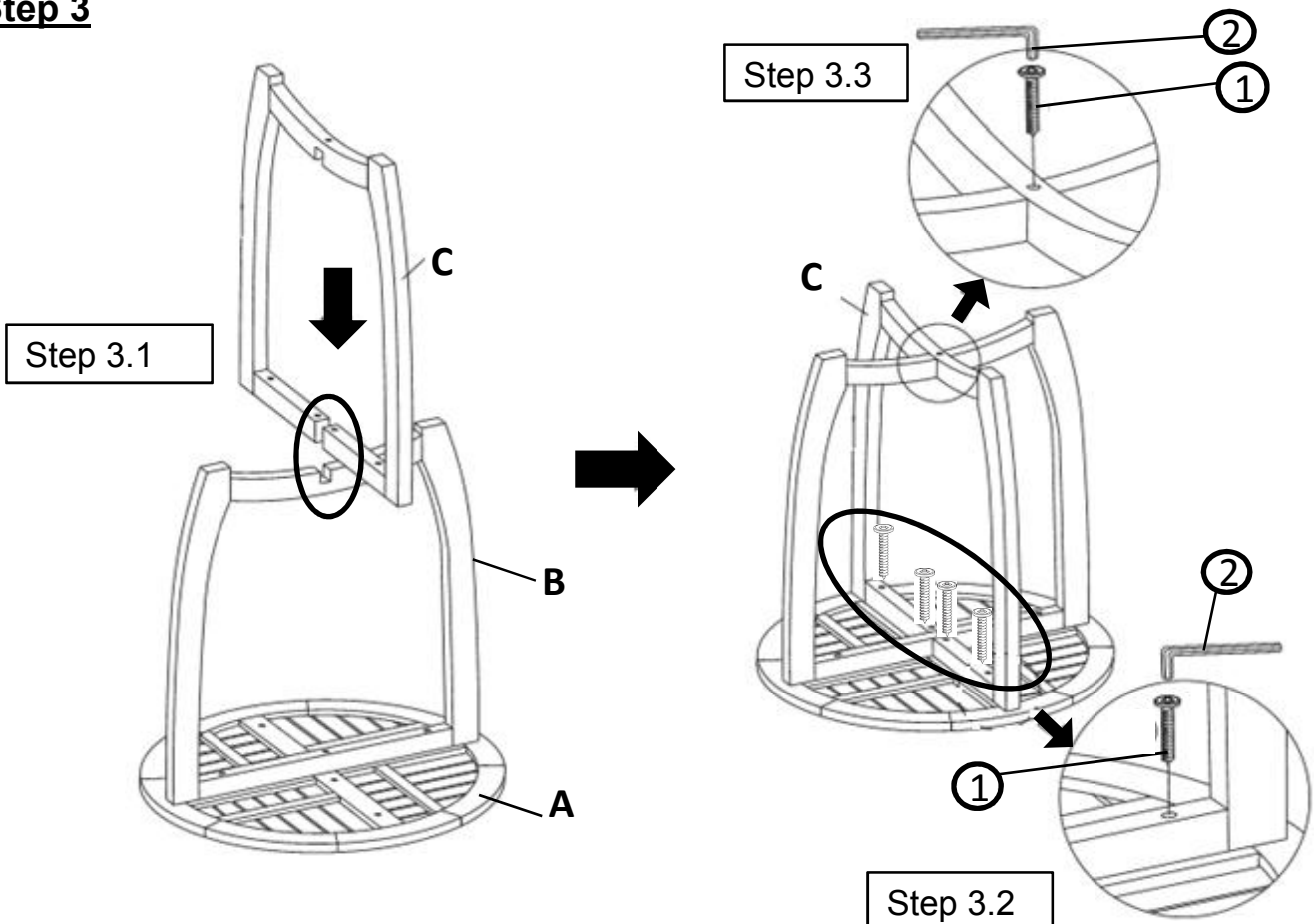
Place the Table Top(A) facedown on a clean, non-marring surface.

Position the First Leg Panel(B) onto the Table Top(A).

Insert three Screws(①) through the mounting positions of the First Leg Panel(B) and affix using the Allen Key(②).

Only loosely tighten the Screws.

Step 3



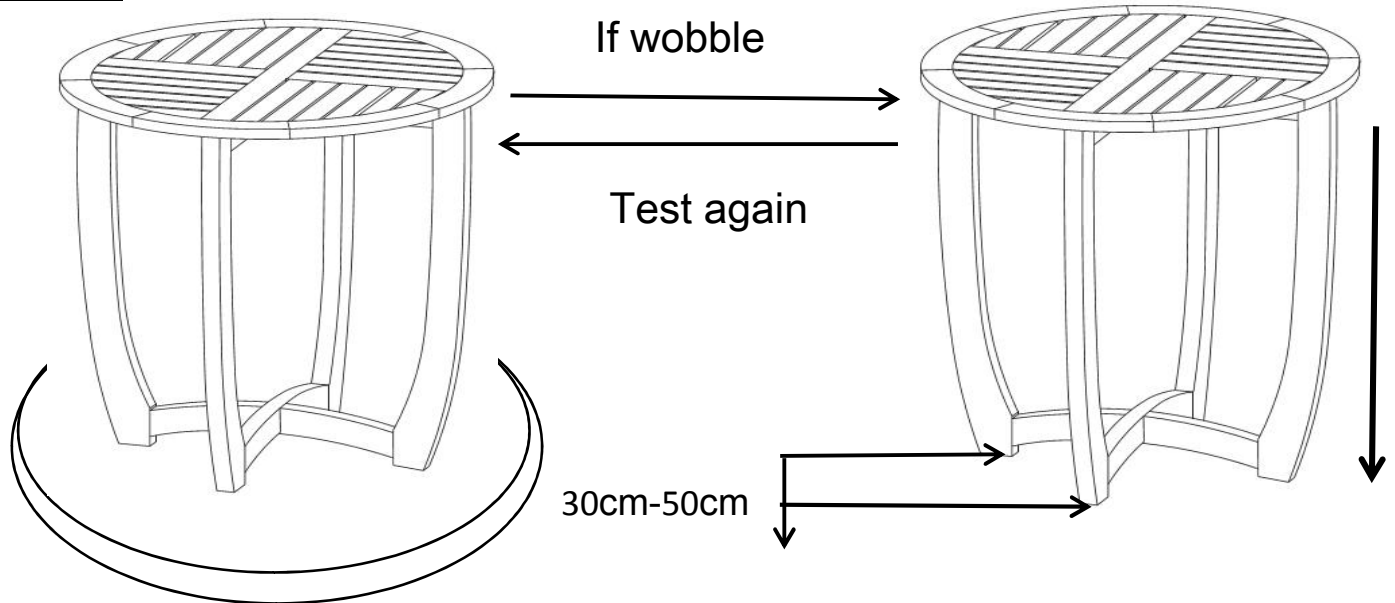
3.1) Position separated point of the Second Leg Panel(C) over the First Leg Panel(B) onto the Table Top(A).

3.2) Insert four Screws(①) through the mounting position of the Second Leg Panel(C) into the Table Top(A) and affix using the Allen Key(②).

3.3) Affix First Leg Panel(B) and Second Leg Panel(C) using Screw(①) with Allen Key(②).

Only loosely tighten the Screws.

Step 4



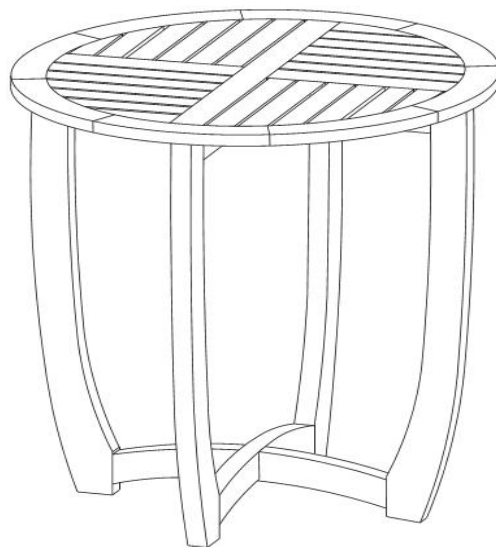
Place the Table right side up on a **LEVEL SURFACE** to see if it wobbles. If it wobbles, lift the Table to some 30cm to 50cm height from the ground. Keep your feet and toes well away from the drop zone.

Drop the Table freely and vertically with the four legs, hitting the ground, at the same time. This Drop Test will help to ensure that all the Screws and gaps all reach full alignment status.

Test again for evenness on a **LEVEL SURFACE**. If no wobbles are found, proceed to tighten all Screws.

CAUTION: When tightening the Screws tighten sequentially. DO NOT tighten any Screw fully and then move towards the next one. This could cause the frame to warp. If there are still wobbles, loosen the Screws and execute this same drop test. **If the Table is not stable, it could lead to damage to the product.**

Step 5



Inspect Table and make sure all parts are adequately connected. Your Table is ready for use.

This Table can only be used on a flat, level surface.

Care & Maintenance



- Do not put hot items directly on furniture surface.



- Do not clean furniture with harsh cleansers or polish.



- To obtain the longest lifespan of your outdoor products, minimizing exposure to direct sunlight is recommended.



- Children should not climb or jump on the furniture.



- Do not write on furniture without a padded barrier to protect the surface.



- To obtain the longest lifespan of your outdoor products, avoid extended and lengthy exposure to rain, snow, and direct sunshine. Whenever possible cover the product and /or place under patio or awnings.



- Not for commercial use. For residential use only .



- Stains may be removed with mild soap solution and damp cloth.



- Dust and pick-up spills using a clean, non-colored, lint-free cloth .

What is Proposition 65?

Proposition 65 is a California law that requires warning labels on products that may contain one of more than 800-plus chemicals or ingredients that the California Office of Environmental Health Hazard Assessment (OEHHA) has deemed to cause cancer or other reproductive toxicity. Chemicals and elements on this list include wood dust, brass, and other everyday substances, which can be found in very common household items, such as: lamps, tableware, jewelry, crystal glasses, electric cords, beauty products, automobiles, and furniture.

Why Did I Find a Proposition 65 Warning on My Home Goods Product?

We include Proposition 65 warnings on all of our products because there is always a chance that one of the 800-plus common chemicals and ingredients listed under this law could potentially be on our furniture or packing materials. We risk large fines under this law, if we don't include this warning.

Should I worry?

We realize you may be worried finding this warning on our products, but we want to reassure you that the hazardous exposure limits for any of these chemicals have never been found on furniture products that we've shipped to our customers. Additionally, this warning label is very common and can be found on almost every piece of furniture sold in the state of California.

Just How Common Are Proposition 65 Warnings?

Proposition 65 warnings have become so common in California that it is hard to take a trip to a local bank, grocery store, or restaurant without finding at least one warning. In fact, even the Disney Land Resort has a Proposition 65 warning:

