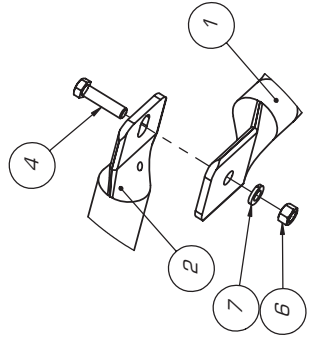
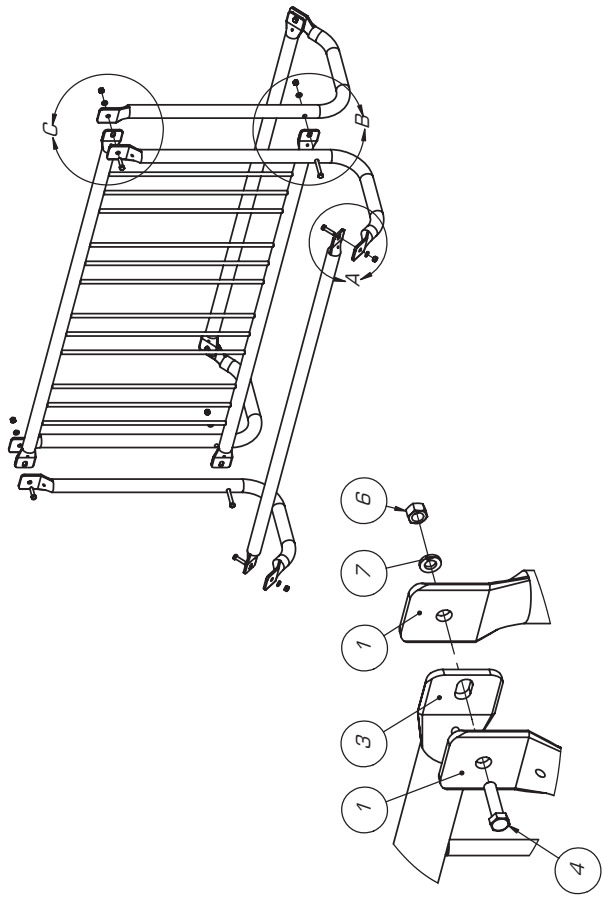
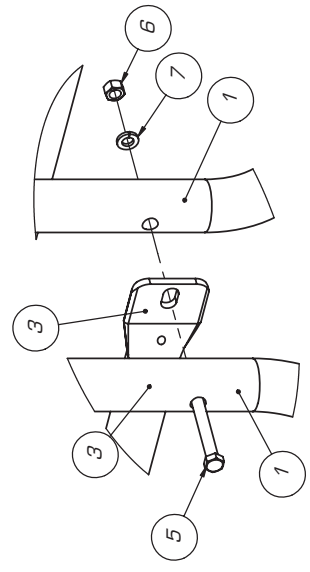


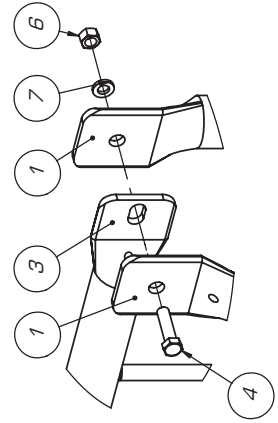
ASSEMBLY INSTRUCTIONS AND SPECIFICATIONS



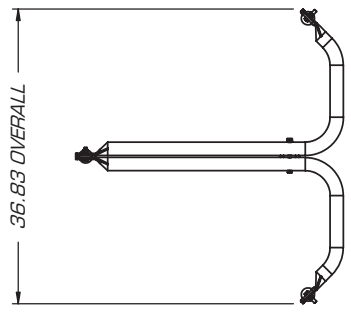
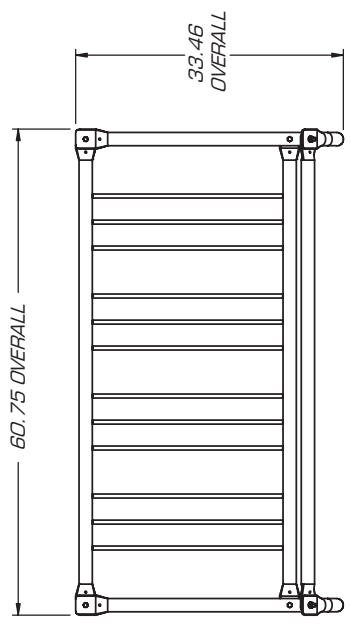
DETAIL A
SCALE 1 : 6



DETAIL B
SCALE 1 : 6



DETAIL C
SCALE 1 : 6



MATERIAL SPECIFICATIONS
 LEGS & FRAME - ϕ .166 x .100 HSS TUBE
 RUNGS - ϕ .1/2" ROD HR
 FRAME & LEGS HOT DIPPED GALVANIZED

ITEM NO.	DESCRIPTION	PART NO.	QTY.
1	BIKE RACK FRAME 'J' LEG	51050500	4
2	BRACE F/ SURF. MNT. TRAD 8 BIKE RACK	51050700	2
3	LADDER F/ TRADITIONAL 8 BIKE RACK	51050900	1
4	3/8-16 x 1.50 HHCS ZN	200000878	6
5	3/8-16 x 4.00 HHCS ZN	200000894	2
6	HEX NUT, 3/8-16 SS	200009778	8
7	WASHER, LOCK, .38 ZN	200001175	8

BIKE RACK ASSEMBLY, TRADITIONAL 8 BIKE, 5 FT
MODEL: 71105300

UNLESS OTHERWISE SPECIFIED, DIMENSIONS ARE IN INCHES