

WARNING! SHUT POWER OFF AT FUSE OR CIRCUIT BREAKER.

AVERTISSEMENT! COUPER LE COURANT AU NIVEAU DES FUSIBLES OU DU DISJONCTEUR.

ASSEMBLING THE FIXTURE (Fig.2)

1. Shut off the power at the circuit breaker and remove the old fixture from ceiling, including the old crossbar.
2. Carefully unpack the new fixture and lay all the parts on a clear surface.
3. Return the arms to suitable position, see Fig.2.
4. Attach the loop (I) to the fixture body (L) by turning it clock wise until tight.

HANGING THE FIXTURE (Fig.1)

5. Thread the nipple (C) into the loop (F) until snug.
6. Thread the other end of the nipple (C) with the loop attached into the crossbar (D) until snug.
7. Place lock washer (B) over end of nipple protruding through crossbar and thread hex nut (A) onto nipple until tight.
8. Take this crossbar assembly and mount to ceiling junction box with junction box screws (E). Tighten screws securely with screwdriver.

The junction box is not included.

9. Using proper chain pliers to open one end link of the chain provided and connect to the fixture loop (I); then close the link.
10. By measuring, determine correct number of links needed for proper hanging height. Using proper chain pliers disconnect and discard remaining chain.
11. Lace the fixture wires through the chain.
12. Slip loop collar (H) and the canopy (G) over the chain.
13. Open the other end link of the chain and hang the fixture on the loop at the ceiling. Close the link.
14. Feed the fixture wires through the loop (F) and nipple (C) and pull until tight.

CONNECTING THE WIRES (Fig.3)

15. Connect the electrical wire as shown in figure 3, making sure that all wire connectors are secured. If your outlet has a ground wire (green or bare copper), connect the fixtures ground wire to it. If the junction box has no ground wire, attach the bare copper fixture wire to the green ground screw on the crossbar. Tuck the wire connections neatly into the ceiling junction box.

COMPLETING THE INSTALLATION (Fig.2)

16. Raise the canopy (G) all the way to the ceiling; then raise the loop collar (H) and thread into ceiling loop protruding through canopy.
17. Hang the crystals (N) and the crystal (O) to the loop on the fixture body (L).
18. Place the crystal cup (K) and the tube (J) over the socket of the fixture body (L).
19. Insert the crystals (M) into the hole of the fixture body (L).
20. Install the light bulbs (not included) in accordance with the fixture's specifications: **DO NOT EXCEED THE MAXIMUM WATTAGE RATING! (NE PAS DEPASSER LA PUISSANCE NOMINALE MAXIMALE!)**

Your installation is now complete. Return power to the junction box and test the fixture.

Fig.1

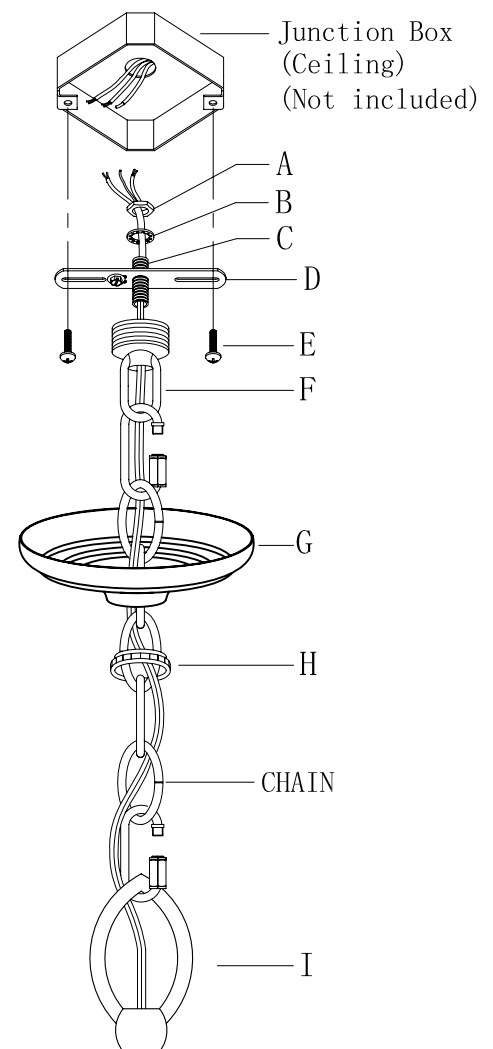
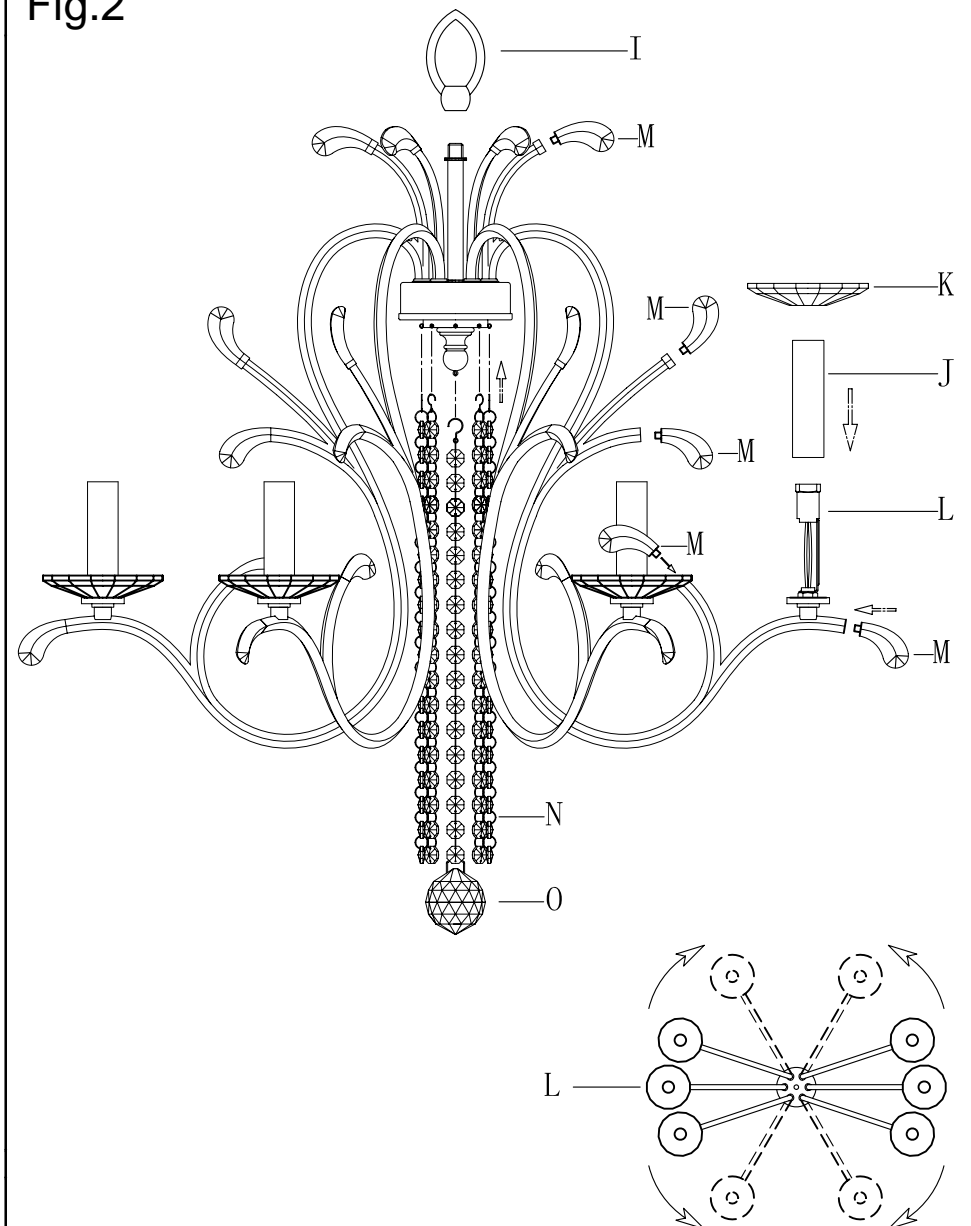


Fig.2



The figure is only for reference.

Fig.3

