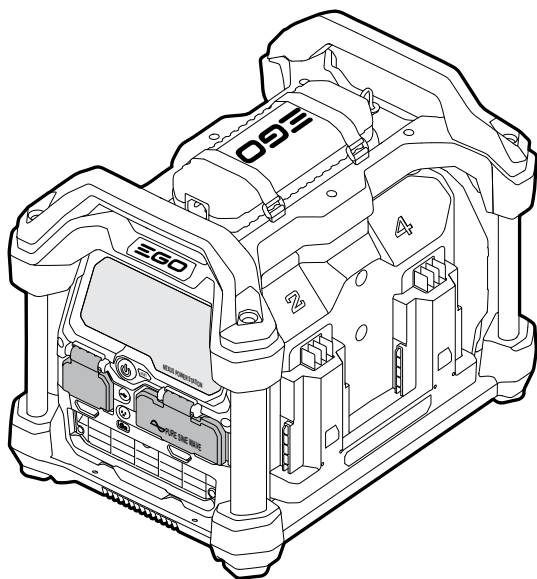


EGO™

POWER⁺ NEXUS POWER STATION



OPERATOR'S MANUAL

56-VOLT

NEXUS POWER STATION

MODEL NUMBER PST3040/ PST3040-FC

Français p. 33

Español p. 67

⚠ WARNING: To reduce the risk of injury, the user must read and understand the Operator's Manual before using this product. Save these instructions for future reference.



TABLE OF CONTENTS

FCC Statement	4
Safety Symbols	5
Safety Instructions	6-10
Introduction	11
Specifications	11
Packing List	12
Description	13-18
Operation	19-26
Maintenance	27
Troubleshooting	28-29
Warranty	30-31

READ ALL INSTRUCTIONS!



READ & UNDERSTAND
OPERATOR'S MANUAL

⚠ WARNING: To reduce the risk of injury, fire, or electric shock, the user must read and understand the operator's manual for their USB accessories and AC devices in addition to this Operator's Manual. Ensure compatibility before using this power station. Do not use this product if a part is damaged or missing.

FCC STATEMENT

1. This device complies with Part 15 of the FCC Rules. Operation is subject to the following two conditions:
 - 1) This device may not cause harmful interference.
 - 2) This device must accept any interference received, including interference that may cause undesired operation.
2. Changes or modifications not expressly approved by the party responsible for compliance could void the user's authority to operate the equipment.

NOTICE: This equipment has been tested and found to comply with the limits for a Class B digital device, pursuant to Part 15 of the FCC Rules. These limits are designed to provide reasonable protection against harmful interference in a residential installation. This equipment generates, uses, and can radiate radio frequency energy and, if not installed and used in accordance with the instructions, may cause harmful interference to radio communications. However, there is no guarantee that interference will not occur in a particular installation. If this equipment does cause harmful interference to radio or television reception, which can be determined by turning the equipment off and on, the user is encouraged to try to correct the interference by one or more of the following measures: Reorient or relocate the receiving antenna. Increase the separation between the equipment and receiver. Connect the equipment into an outlet on a circuit different from that to which the receiver is connected. Consult the dealer or an experienced radio/TV technician for help.

SAFETY SYMBOLS

The purpose of safety symbols is to attract your attention to possible dangers. The safety symbols and the explanations with them deserve your careful attention and understanding. The symbol warnings do not, by themselves, eliminate any danger. The instructions and warnings they give are no substitutes for proper accident prevention measures.

⚠ WARNING: Be sure to read and understand all safety instructions in this Operator's Manual, including all safety alert symbols such as "**DANGER**," "**WARNING**," and "**CAUTION**" before using this tool. Failure to following all instructions listed below may result in electric shock, fire, and/or serious personal injury.

SYMBOL MEANING





⚠ SAFETY ALERT SYMBOL: Indicates **DANGER**, **WARNING**, OR **CAUTION**. May be used in conjunction with other symbols or pictographs.






⚠ WARNING: The operation of any power tools can result in foreign objects being thrown into your eyes, which can result in severe eye damage. Before beginning power tool operation, always wear safety goggles or safety glasses with side shields and a full face shield when needed. We recommend a Wide Vision Safety Mask for use over eyeglasses or standard safety glasses with side shields. Always use eye protection which is marked to comply with ANSI Z87.1.

SAFETY INSTRUCTIONS

This page depicts and describes safety symbols that may appear on this product. Read, understand, and follow all instructions on the machine before attempting to assemble and operate it.

V	Volt	Voltage
A	Amperes	Current
Hz	Hertz	Frequency (cycles per second)
W	Watt	Power
 /DC	Direct Current	Type or a characteristic of current
 /AC	Alternating Current	Type or a characteristic of current
°F	Fahrenheit Temperature	Temperature
°C	Celsius Temperature	Temperature
lb	Pound	Weight
kg	Kilogram	Weight
	Read & Understand Operator's Manual	To reduce the risk of injury, user must read and understand operator's manual before using this product.
	Safety Alert	Indicates a potential personal injury hazard.

	Eye Protection	Always wear safety goggles or safety glasses with side shields and a full face shield when operating this product.
	WIFI	Indicates WIFI connection.
	Bluetooth	Indicates Bluetooth connection.

⚠ WARNING: Read and understand all instructions. Failure to follow all instructions listed below may result in electric shock, fire and/or serious personal injury.

⚠ WARNING: Do not allow any liquid to get inside the power station, or electric shock may occur.

IMPORTANT SAFETY INSTRUCTIONS

⚠ WARNING: When using this product, basic precautions should always be followed, including the following:

- Read all the instructions before using the product.
- NEVER leave the power station on and unattended. Unattended operation of this product could result in personal injury or property damage. Switch off the power station when not in use.
- To reduce the risk of injury, close supervision is necessary when the product is used near children.
- Do not put fingers or hands into the product.
- Use of an attachment not recommended or sold by power station manufacturer may result in a risk of fire, electric shock, or injury to persons.
- To reduce risk of damage to the electric plug and cord, pull the plug rather than the cord when disconnecting the power station.
- ALWAYS ensure that the power station charger-in cord is easily accessible during operation to allow for quick disconnection from the mains.
- Inspect extension cords before use and replace with new cord if required. Contact with worn or damaged extension cords could result in electrocution.
- Do not operate the power pack with a damaged cord or plug, or a damaged output cable.
- Do not use a power station or appliance that is damaged or modified. Damaged or modified products may exhibit unpredictable behavior resulting in fire, explosion or risk of injury.
- When charging the battery, work in a well-ventilated area and do not restrict ventilation in any way.
- ALWAYS operate the power station in a clean, dry, well ventilated area. Make sure hands are dry before touching this product. Water can conduct electricity! Water which comes in contact with electrically charged components can transmit electricity resulting in electrical shock to anyone contacting them.
- Do not expose the power station to rain or wet conditions. Water entering the power station will increase the risk of electric shock.

- Do not insert battery packs into charging ports, plug the power station in, or plug any device into the power station's power receptacle if moisture is detected on or in the power station.
- Place the power station on a stable, flat surface where it will not fall or tip over.
- Do not use the power station to power medical or other critical devices.
- Under abusive conditions, liquid may be ejected from the battery; avoid contact. If contact accidentally occurs, flush with water. If liquid contacts eyes, additionally seek medical help. Liquid ejected from the battery may cause irritation or burns.
- Do not expose the power station to fire or excessive temperature. Exposure to fire or temperature above 212°F (100°C) may cause explosion.
- The power station is not intended for any use other than charging USB electronics (up to 2.1 Amp for each USB port) or AC devices (up to continuous 2000W for 3 AC ports combined). Any other use may result in system shut down or even damage.
- Use power station only with EGO 56V portable battery packs. Use of any other battery packs may create a risk of injury and fire.
- The power station is not intended for use in a commercial repair facility.
- For the power station charger, basic precautions should always be followed, including the following:
 - 1) **SAVE THESE INSTRUCTIONS** - This manual contains important safety and operating instructions for battery charger Models CH1700/CH1700-FC.
 - 2) Before using battery charger, read all instructions and cautionary markings on battery charger, battery, and product using battery.
 - 3) **⚠ CAUTION:** To reduce risk of injury, charge only EGO 56V, maximum 10000 mAh Li-Ion portable type rechargeable batteries. Other types of batteries may burst causing personal injury and damage.
 - 4) Dry location use only.
 - 5) Do not expose to rain.
- Do not disassemble the power station, take it to a qualified service person when service or repair is required. Incorrect reassembly may result in a risk of fire or electric shock.

- Have your power station or the charger serviced by a qualified repairperson using only identical replacement parts. This will ensure that the safety of the power station is maintained.
- To reduce the risk of electric shock, unplug the power station from the outlet before attempting any instructed servicing.
- **Save these instructions.** Refer to them frequently and use them to instruct others who may use this tool. If you lend someone this tool, lend them these instructions also to prevent misuse of the product and possible injury.

SAVE THESE INSTRUCTIONS!

INTRODUCTION




Congratulations on your selection of the EGO Nexus Power Station. It has been designed, engineered and manufactured to give you the best possible dependability and performance.

Should you experience any problem you cannot easily remedy, please contact the EGO customer service center 1-855-EGO-5656.

This manual contains important information on to the safe assembly, operation and maintainance of your product. Read it carefully before using the product. Keep this manual handy so you can refer to it at any time.

SERIAL NUMBER _____	DATE OF PURCHASE _____
YOU SHOULD RECORD BOTH SERIAL NUMBER AND DATE OF PURCHASE AND KEEP IN A SAFE PLACE FOR FUTURE REFERENCE	

SPECIFICATIONS

Discharging	Input Voltage	56V 
	USB Output	5V  Max.2.1A (each USB port)
	AC Output	120V ~ 60Hz 2000W, 3000W Peak (3 AC ports combined)
Charging	Input	120V ~, 60Hz 170W
	Output	56V 
	Charging Temperature Range	41°F-104°F (5°C-40°C)
Operation Temperature Range	5°F - 104°F (-15°C - 40°C)	
Storage Temperature Range	-4°F - 158°F (-20°C - 70°C)	
Weight (Without battery pack)	30.2 lb (13.7 kg)	

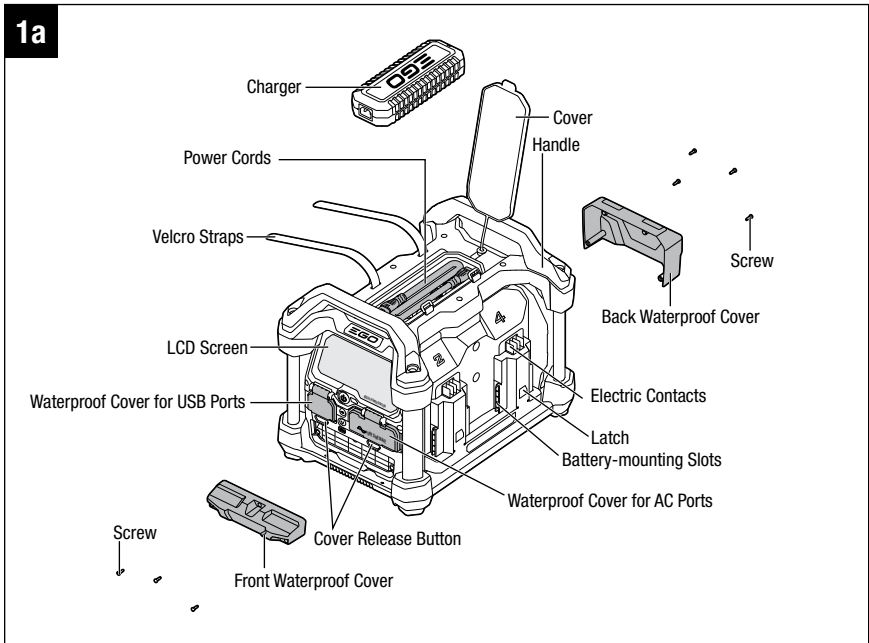
PACKING LIST

PART NAME	QUANTITY
Power Station	1
Charger	1
Power Cord	2
Front Waterproof Cover	1
Back Waterproof Cover	1
Screws	7
Operator's Manual	1

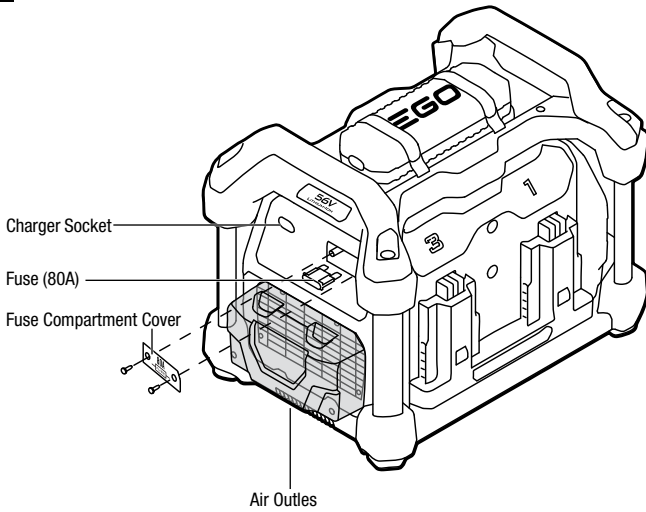
DESCRIPTION

KNOW YOUR POWER STATION (Fig.1a & 1b & 1c)

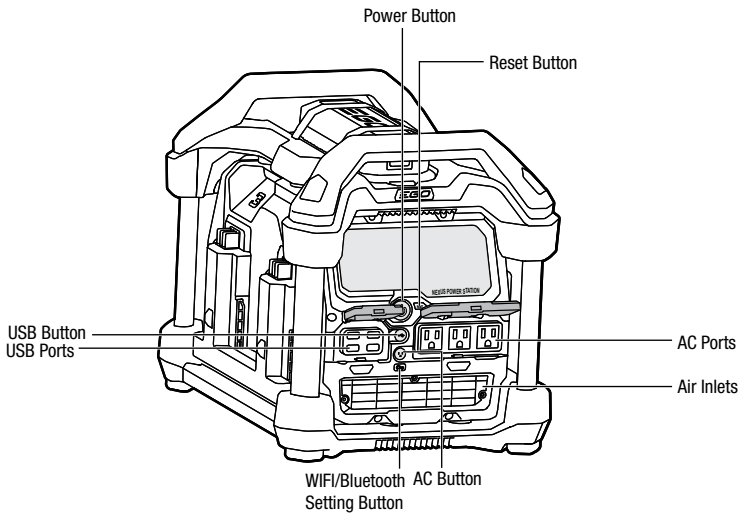
The safe use of this product requires an understanding of the information on the tool and in this operator's manual, as well as knowledge of the project you are attempting. Before the use of this product, familiarize yourself with all its operating features and safety rules.



1b



1c



Charger

The power station can charge up to four EGO portable batteries through the supplied charger and the power cords.

Handle

To help lift the power station.

Cover

To support the charger, as well as a cover for power-cord storage.

Velcro Straps

To secure the charger to the cover for compact convenience.

Power Cords

There are two power cords. One is for connecting the charger with the power station; the other is for connecting the charger with the power supply. The power station can charge EGO portable battery(s) once the connections are completed.

LCD Screen

To display the working status of the power station.

Front/Back Waterproof Cover

The front and back waterproof covers are not assembled when shipping. They are separately stored in the package. The users can mount them with the screws provided, as needed.

Latch

To help securely lock the battery when installing the battery on the power station.

Charger Socket

To connect the power station to the charger with the provided power cord.

Power Button

To turn on/off the power station.

Reset Button

To recover the power station when it is overloaded.

AC and USB Ports

To connect with AC and USB devices. There are 3 AC ports and 4 USB ports.

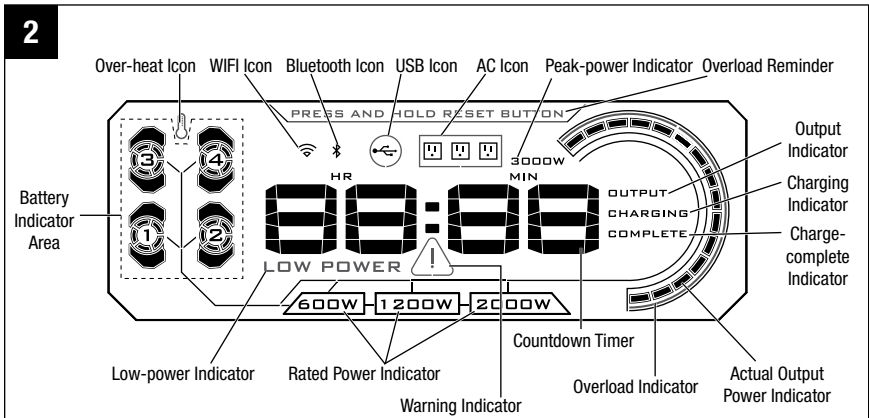
AC and USB Button

To switch on/off the AC and USB port output.

WiFi/Bluetooth Setting Button

To configure WiFi/Bluetooth connection and indicate configuration status.

KNOW THE ICONS AND INDICATORS ON THE LCD SCREEN (Fig. 2)



Output Indicator

Illuminates to show that the power station is in the discharging process when the AC/USB button is switched on.

Charging Indicator

Illuminates to show the power station is in the charging process.

Charge-complete Indicator

The charge-complete indicator, together with the charging indicator will illuminate to indicate that the charging is completed.

Actual Output Power Indicator

Illuminates different numbers of the segments to indicate the actual output power when a device is connected to the output port.


Rated Power Indicator (600W, 1200W, 2000W)

The rated maximum continuous output power depends on the attached battery(s) on the Nexus power station.

Peak-power Indicator (3000W)

When the actual output power is over 2000W, but less than 3000W, for LESS THAN 3 seconds, this indicator will illuminate, as well all the segments of the actual output power.

Overload Indicator

This indicator is separated into 3 segments. When the actual output power is over the rated power, the corresponding segment will illuminate in red. The overload reminder "PRESS AND HOLD RESET BUTTON" and the warning indicator "" will illuminate in red at the same time. Remove the device and then press and hold the reset button to reactivate the power station.

Low-power Indicator

Illuminates when the available battery charge is 10% or less of the rated total battery charge during discharging. No available time will be displayed on the LCD screen and the power station will stop discharging when all batteries are fully discharged.

Warning Indicator

Illuminates when a problem occurs and the power station cannot work properly.

Battery Indicator Area

Each indicator includes three aspects:

- The upper and lower polygonal areas indicate the status of the associated battery;
- The circled power indicator in segments indicates the remaining battery charge;
- The battery number indicates the battery position.

Over-heat Icon

Illuminates when the Nexus is overheated. The system will shut down.

WIFI Icon

Illuminates when the Nexus is connected to a WIFI Network.

Bluetooth Icon

Illuminates when the Nexus is connected to cell phone via Bluetooth.

USB/AC Icon

Illuminates to indicate that the USB/AC port has been turned on.

Countdown Timer

This timer indicates the remaining time of charging or discharging process. When the Nexus stops working or is in low power condition, no timer will be displayed.

OPERATION

⚠ WARNING: Do not allow familiarity with this product to make you careless. Remember that a careless fraction of a second is sufficient to inflict serious injury.

⚠ WARNING: Do not use any attachments or accessories not recommended by the manufacturer of this product. The use of attachments or accessories not recommended can result in serious personal injury.

⚠ WARNING: Do not modify or attempt to repair the Nexus power station except indicated in the instructions for use and care.

⚠ CAUTION: This device is not intended for use in a commercial repair facility.

⚠ CAUTION: The device shall be stored indoors and protected from the elements. The unit shall not be charged outdoors. When in use, steps should be taken to reduce the exposure to rain, sleet, snow, and the like.

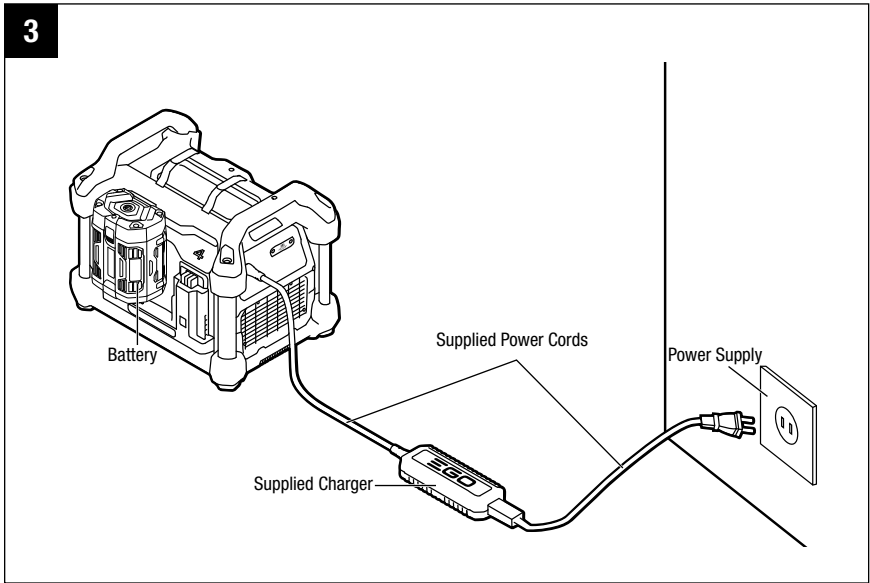
APPLICATION

You may use this product for power emergencies, camping, and any time you need power for long periods of time.

The Nexus power station provides 4 USB ports and 3 AC ports. Each USB port can supply a 5V DC, up to 2.1Amp output to power the USB devices like your cell phone, tablets, etc. The 3 AC ports combined can supply a 120V AC, continuous 2000W (Peak 3000W for less than 3s) output to power AC devices, such as full-size refrigerator, TV, laptop, etc.

The Nexus power station is equipped with a charger to charge up to four EGO portable batteries.

CHARGING EGO PORTABLE BATTERIES (Fig. 3)



1. Connect the supplied charger between the power supply (120V~, 60Hz) and the Nexus power station with the two supplied power cords. Make sure that the connections are secure and reliable.
2. Align the raised ribs of the battery pack with the mounting slot in the Nexus power station; slide the battery pack down onto the Nexus. Make sure that the battery is securely attached to the Nexus.
3. The Nexus power station will communicate with the battery pack and begin charging the battery.
4. The charging indicators on the LCD screen will illuminate and the power button will slowly blink green. The screen displays the remaining charge time in hours and minutes until the battery will be fully charged. When the charging is completed, the charge-complete indicator will also illuminate and the power button will shine solid green.

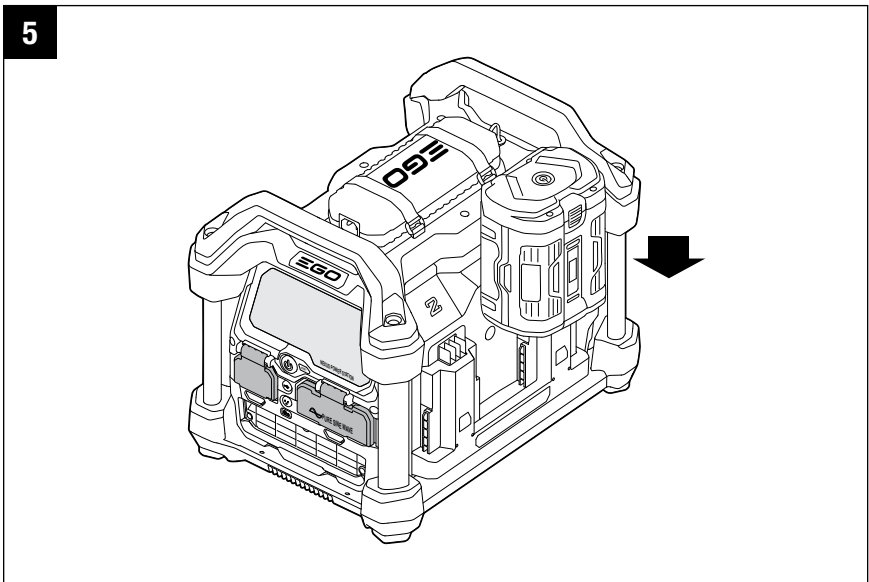
NOTE: During the charging process, the LCD screen may turn black no display. You can press any of the Power/USB/AC/Reset buttons or reattach the battery to reactivate the display.

5. While charging, the upper and lower polygonal areas in the corresponding battery-indicator area will illuminate and the last segment of the circled power indicator will flash, with other segments shining. For more than two batteries mounted on the power station, charging will occur sequentially. The upper and lower polygonal areas of the symbol associated with each battery to be charged will illuminate and the power indicator will communicate the present battery capacity.

POWERING THE AC/USB DEVICES

NOTICE: For optimum performance, fully charge all EGO batteries before use. The battery should be charged in a location where the temperature is greater than 41°F (5°C) and less than 104°F (40°C).

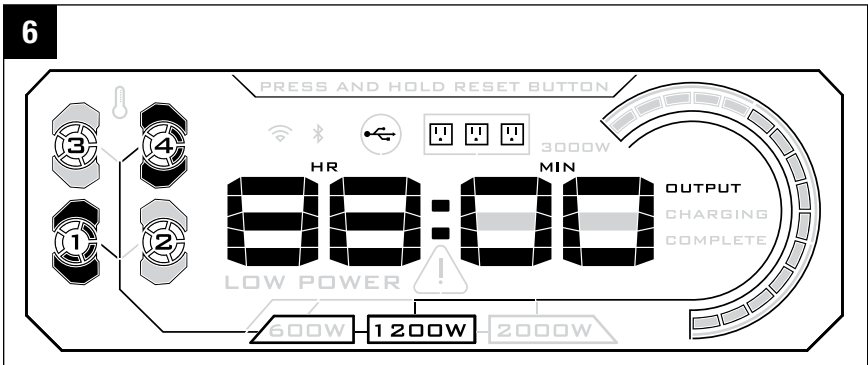
1. Mount battery(s) securely onto any battery-mounting slot of the Nexus power station (Fig. 5). The Nexus can work with only one battery, but output power may be limited.



2. Press the AC/USB cover-release button to open the corresponding cover (see Fig. 1c); connect the USB and/or AC devices to any ports on the Nexus power station.

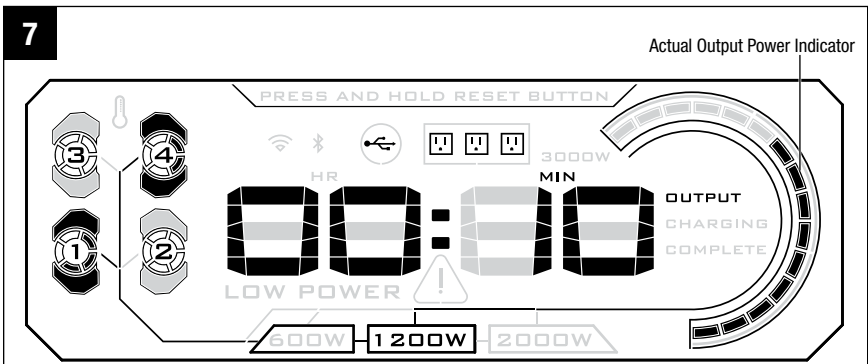
3. Press the power button to turn on the Nexus power station. The Nexus power station will be in the self-check mode and all indicators on the LCD screen will illuminate for less than 1 second. Then the LCD screen will recover to normal indication.

For example, 2 batteries BA1400T are located in position 1 and 4. They have 70% and 30% capacity respectively. The rated maximum output power is 1200W. The LCD screen will display as shown in Fig. 6. The time “88 hours” indicated on the LCD screen is estimated automatically, based on the rated power.



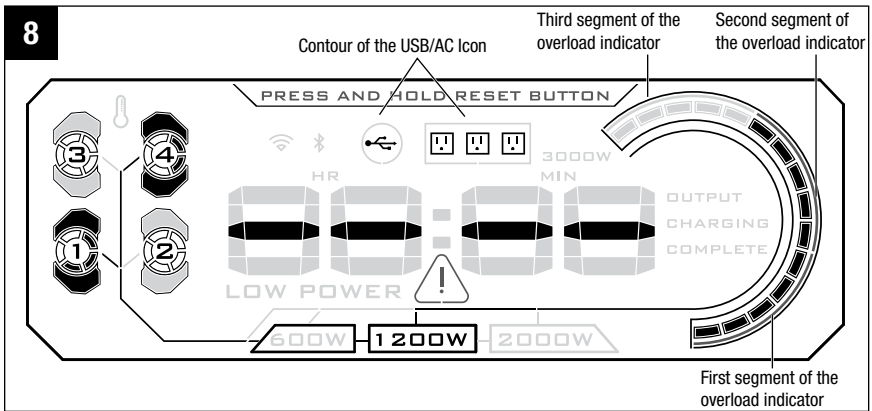
4. Press the AC and/or USB button (see Fig. 1c), as appropriate, to charge the AC and/or USB devices. When the device that is connected is turned on, the time displayed will change and the corresponding actual output power indicator will illuminate certain segments based on the actual output power.

For example, for 1000W device (within 1200W), the estimated available runtime is 10 mins, with several number of segments indicating the actual output power (Fig. 7).



OVERLOAD CONDITION

When the actual output power is over the rated power, the corresponding segment in the overload indicator will illuminate in red. For example, for a 1400W device (over the maximum capacity of 1200W), the available running time will display as invalid and the corresponding overload indicator will shine in RED (Fig. 8). At the same time, the reminder “**PRESS AND HOLD RESET BUTTON**”, the warning indicator “**⚠**” and the square contour around the USB/AC Icon will illuminate in red.



NOTICE: The overload indicator is separated into 3 segments.


- The first segment will illuminate in red when the rated power is 600W and the actual output power is over 600W;
- The first and second segments will illuminate in red when rated power is 1200W and the actual output power is over 1200W;
- All of the three segments will illuminate in red when rated power is 2000W and the actual output power is over the rated power (2000W continuous and 3000W peak).

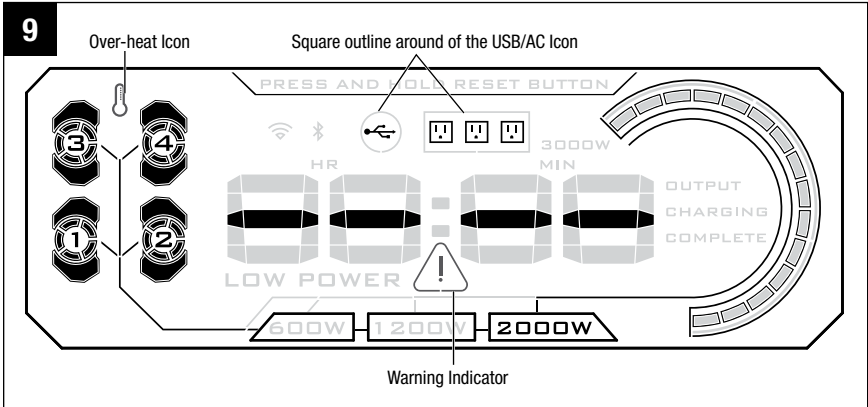
When an overload occurs, remove all devices and press and hold the reset button to reactivate the Nexus power station.

OVERHEAT CONDITION

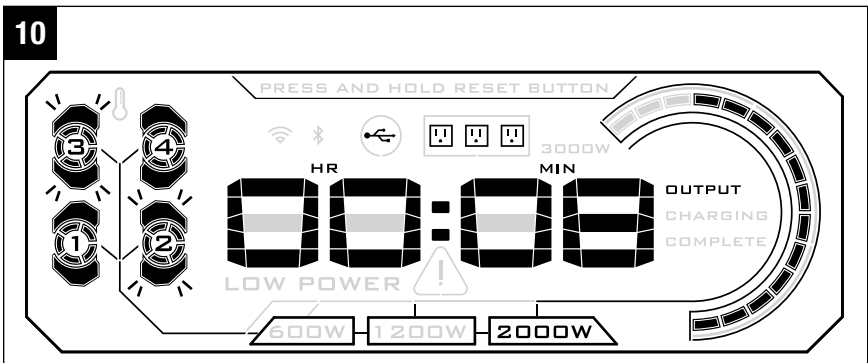
When the Nexus power station is overheated, the overheat icon will illuminate in red.

For example, if there are 4 batteries located on the Nexus power station, the rated power is 2000W.

- When the Nexus power station itself is overheating, the overheat icon, the warning indicator “” and the square outline around the USB/AC Icon will illuminate in red and the available running time will display as invalid (Fig. 9). **The Nexus power station will stop discharging.**



- When fewer than four attached batteries are overheated, only the upper and lower polygonal areas of the overheated battery indicator will flash (Fig. 9) while other battery indicators shine normally. **The Nexus power station can discharge normally.**



- When overheating occurs, detach the battery from the Nexus power station and move it to a cool place to cool thoroughly.
- After discharging, disconnect the devices from the Nexus power station, press the AC and/or USB button to stop the output, and then close the corresponding cover.

6. Press the power button to turn off the power station.

NOTICE:

- Charging EGO portable batteries and powering the AC and/or USB devices cannot be carried out at the same time. Only one function can be used at a time.
- Do not insert the provided charger's plug into the Nexus AC port.
- If the USB devices connected to the Nexus power station need more than the rated output (Max. 2.1A for each DC port), the output of each port will remain at a current of 2.1A.
- If the battery is not functioning normally for any reason other than overheating, the battery indicator will not register the battery. Try reattaching the battery.
- When the Nexus power station is removed from lower temperature to room temperature for immediate starting, there may be some water vapour inside it, resulting in incomplete LCD screen display. Just wait until the water vapour disappears thoroughly, the LCD display will return normal.

⚠ WARNING: Do not insert a nail, wire, etc. into the USB power supply port. Otherwise a circuit short may cause smoke and fire.

⚠ WARNING: Do not insert a nail, wire, etc. into AC power supply port, or the risk of electric shock may occur.

⚠ WARNING: Do not connect any of the AC ports with the AC outlets on your home walls, otherwise electric shock or serious damage may occur.

EGO CONNECT

This Nexus power station can work with IOS and Android phones and provide a variety of connected features in EGO CONNECT.

1. Go to Apple Store (IOS Phone) or Google Play (Android Phone) to search and download "**EGO Power+**" App for installation.
2. Follow the instructions in the App to create an account before use; you can also log in directly using your existing account for EGO powerplus.com.

NOTICE: EGO Power+ App will work with Android version 5.0 and above and IOS 11 and above.

Bluetooth CONNECTION

Make sure that your phone's Bluetooth function is turned on and Nexus is nearby. We suggest that you have Nexus added to MY GARAGE in EGO Power+ App before connecting.

1. Turn on your Nexus power station.
2. Go to EGO CONNECT in the EGO Power+ App. The App will automatically search for a connectable Nexus nearby.
3. Select the Nexus you wish to connect, then follow instructions in the App to complete the connection.
4. After successful connection, follow the instructions in the App to begin your remote configuration.

WIFI REMOTE CONNECTION

Nexus is WIFI enabled and can support remote access with the EGO Power+ App. Before you can access Nexus remotely, you need to first add Nexus to your home WIFI:

1. Make sure that the Nexus is nearby and powered on, and make sure that your phone is currently connected to the WIFI you wish add Nexus to.
2. Add Nexus to MY GARAGE before connecting it to WIFI.
3. You can initiate the Nexus WIFI connection after adding Nexus to MY GARAGE or go to the EGO CONNECT Nexus page and select the WIFI icon above the page. The App will lead you through the following processes.

NOTICE: Public WIFI or company WIFI may have firewalls that block Nexus WIFI access.

MAINTENANCE

⚠ WARNING: To avoid serious personal injury, always turn tool off and remove the battery pack from the tool when cleaning or performing any maintenance.

⚠ WARNING: When servicing, use only identical EGO replacement parts. Use of any other parts may create a hazard or cause product damage. To ensure safety and reliability, all repairs should be performed by a qualified service technician.

GENERAL MAINTENANCE

Avoid using solvents when cleaning plastic parts. Most plastics are susceptible to damage from various types of commercial solvents and may be damaged by their use. Use a clean cloth to remove dirt, dust, oil, grease, etc.

⚠ WARNING: Do not at any time allow brake fluids, gasoline, petroleum-based products, penetrating oils, etc. to come in contact with plastic parts. Chemicals can damage, weaken or destroy plastic which may result in serious personal injury.

TRANSPORTING THE UNIT

⚠ CAUTION: Observe the lifting procedures during transportation.

Before transporting your Nexus power station, keep in mind that you should:

1. Disconnect all peripheral devices.
2. Turn off the Nexus power station..
3. Lift the Nexus power station by grasping the side handles with both hands: one on each handle.

STORING THE UNIT

- Turn the Nexus power station off.
- Clean the tool thoroughly before storing it.
- Store the unit in a dry, well-ventilated area, locked-up or up high, out of the reach of children. Do not store the unit on or adjacent to fertilizers, gasoline, or other chemicals. Do not store or left it outdoors when not in use.

TROUBLESHOOTING

PROBLEM	CAUSE	SOLUTION
The Nexus power station cannot charge EGO portable batteries when using the supplied charger. No power indicator of the battery displayed.	<ul style="list-style-type: none">■ Connection between the Nexus power station and the charger is bad.■ The battery is not mounted correctly.	<ul style="list-style-type: none">■ Reconnect the charger with the Nexus power station.■ Detach the battery and reinstall it.
The overheat icon on the LCD screen illuminates in red.	<ul style="list-style-type: none">■ The Nexus power station is too hot.	<ul style="list-style-type: none">■ Turn off and cool the Nexus power station thoroughly until the AC ports can work.
The battery indicator on the LCD screen is flashing. The Nexus power station can work normally.	<ul style="list-style-type: none">■ The battery is too hot.	<ul style="list-style-type: none">■ Detach the battery from the Nexus power station. Cool it until its temperature drops below 152°F (67°C).
During charging, you may notice that charging alternates between batteries.	<ul style="list-style-type: none">■ This is designed to provide optimum output performance, that the lower charge battery will be charged first so all batteries will have similar battery charge when they start discharging together.	<ul style="list-style-type: none">■ n/a

PROBLEM	CAUSE	SOLUTION
<p>The Nexus power station stops discharging.</p>	<ul style="list-style-type: none"> ■ Fuse is overloaded. ■ The Nexus power station is in overload condition. ■ The Nexus power station is in overheat condition. ■ The battery is in low voltage, lower to 10% of the total charge. 	<ul style="list-style-type: none"> ■ Replace the fuse with a new one by a qualified service technician. The identical fuse is 80 Amp, illustrated as Fig.1b shown. ■ Remove the device and press the reset button to reactivate the Nexus power station. ■ Detach the battery away from the Nexus power station and move the power station to a cool place for thorough cooling. ■ Charge the battery.
<p>During discharging, previous generation batteries will flash in red, green or orange while the new generation batteries (with 5-segment fuel gauge) show solid green.</p>	<ul style="list-style-type: none"> ■ This is normal and does not impact the functionality and performance of the Nexus power station. Different generations of EGO batteries will have different displays. 	<ul style="list-style-type: none"> ■ n/a



WARRANTY

EGO WARRANTY POLICY

5-year limited warranty on EGO POWER+ outdoor power equipment and portable power for personal, household use.

3-year limited warranty on EGO POWER+ System battery packs and chargers for personal, household use.

2 year/1year limited warranty on EGO outdoor power equipment, portable power, battery packs, and chargers for professional and commercial use.

The detailed warranty periods by products can be found online at

<http://egopowerplus.com/pages/warranty-policy>.

Please contact EGO Customer Service Toll-Free at 1-855-EGO-5656 any time you have questions or warranty claims.

LIMITED SERVICE WARRANTY

EGO products are warranted against defects in material or workmanship from the date of original retail purchase for the applicable warranty period. Defective product will receive free repair.

- a) This warranty applies only to the original purchaser from an authorized EGO retailer and may not be transferred. Authorized EGO retailers are identified online at <http://egopowerplus.com/pages/warranty-policy>.
- b) The warranty period for reconditioned or factory certified products used for residential purpose is 1 year, for industrial, professional or commercial purpose is 90 days.
- c) The warranty period for routine maintenance parts, such as, but not limited to, blades, trimmer heads, chain bars, saw chains, belts, scraper bars, blower nozzles, and all other EGO accessories is 90 days for residential purpose, 30 days for industrial, professional or commercial purpose. These parts are covered for 90/30 days from manufacture defects in normal working conditions.
- d) This warranty is void if the product has been used for rental purpose.
- e) This warranty does not cover the damage resulting from modification, alteration or unauthorized repair.

30

56-VOLT NEXUS POWER STATION - PST3040/ PST3040-FC



- f) This warranty only covers defects arising under normal usage and does not cover any malfunction, failure or defect resulting from misuse, abuse (including overloading of the product beyond capacity and immersion in water or other liquid), accidents, neglect or lack of proper installation, and improper maintenance or storage.
- g) This warranty does not cover normal deterioration of the exterior finish, including but not limited to scratches, dents, paint chips, or to any corrosion or discoloring by heat, abrasive and chemical cleaners.

HOW TO OBTAIN SERVICE

For warranty service, please contact EGO customer service toll-free at **1-855-EGO-5656**. When requesting warranty service, you must present the original dated sales receipt. An authorized service center will be selected to repair the product according to the stated warranty terms. When bringing your product to the authorized service center, there may be a small deposit that will be required when dropping off your tool. This deposit is refundable when the repair service is deemed to be covered under warranty.

ADDITIONAL LIMITATIONS

To the extent permitted by applicable law, all implied warranties, including warranties of MERCHANTABILITY or FITNESS FOR A PARTICULAR PURPOSE, are disclaimed. Any implied warranties, including warranties of merchantability or fitness for a particular purpose, that cannot be disclaimed under state law are limited to the applicable warranty period defined at the beginning of this article.

Chervon North America is not responsible for direct, indirect, incidental or consequential damages.

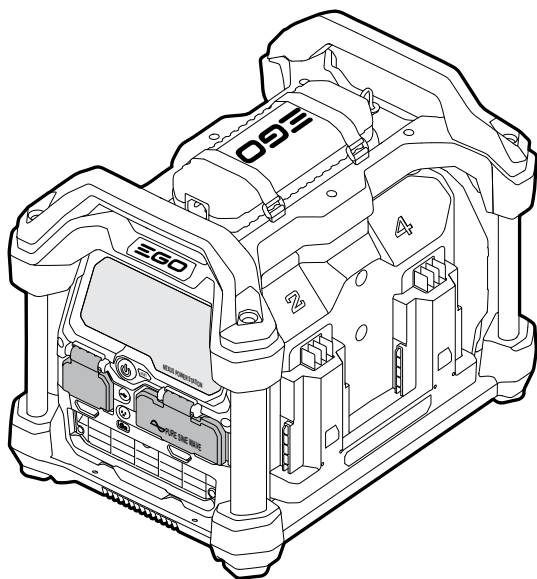
Some states do not allow limitations on how long an implied warranty lasts and/or do not allow the exclusion or limitation of incidental or consequential damages, so the above limitations may not apply to you.

This warranty gives you specific legal rights, and you may also have other rights which vary from state to state.

For customer service contact us toll-free at: **1-855-EGO-5656 or EGOPOWERPLUS.COM**. EGO Customer Service, 769 SEWARD AVE NW / Suite 102 Grand Rapids, MI 49504

EGO™

POWER⁺ NEXUS POWER STATION



GUIDE D'UTILISATION

STATION D'ALIMENTATION NEXUS DE 56 VOLTS

NUMÉRO DE MODÈLE PST3040/PST3040-FC

⚠ AVERTISSEMENT : Afin de réduire les risques de blessure, l'utilisateur doit lire et comprendre le guide d'utilisation avant d'utiliser ce produit. Conservez le présent guide afin de pouvoir le consulter ultérieurement.

TABLE DES MATIÈRES

Déclaration relative à la FCC	36
Symboles de sécurité	37
Consignes de sécurité	38-42
Introduction	43
Caractéristiques techniques	44
Liste des pièces contenues dans l'emballage	44
Description	45-50
Fonctionnement	51-59
Entretien	60-61
Dépannage	62-63
Garantie	64-65

LISEZ TOUTES LES INSTRUCTIONS!



ASSUREZ-VOUS DE LIRE ET DE
COMPRENDRE LE GUIDE D'UTILISATION

⚠ AVERTISSEMENT: Pour réduire les risques de blessures, d'incendie ou de décharge électrique, l'utilisateur doit lire et comprendre le guide d'utilisation des accessoires USB et des appareils CA en plus du présent guide d'utilisation. Vérifiez la compatibilité avant d'utiliser cette station d'alimentation. N'utilisez pas cet appareil s'il y a des pièces manquantes ou endommagées.

DÉCLARATION RELATIVE À LA FCC

1. Cet appareil est conforme à la partie 15 des règlements de la FCC. Son fonctionnement est soumis aux deux conditions suivantes :
 - (1) Cet appareil ne doit provoquer aucune interférence nuisible.
 - (2) L'appareil doit accepter toute interférence reçue, y compris des interférences susceptibles de causer un fonctionnement non désiré.
2. Tout changement ou toute modification non expressément approuvés par la partie responsable de la conformité peut annuler le droit de l'utilisateur à faire fonctionner l'appareil.

AVIS: Cet équipement a été testé et a été déclaré conforme aux restrictions pour dispositifs numériques de classe B en vertu de la partie 15 des règles de la FCC. Ces restrictions visent à offrir une protection raisonnable contre l'interférence nuisible d'une installation résidentielle. Cet équipement génère, utilise et peut émettre de l'énergie de fréquence radio et, s'il n'est pas installé et utilisé conformément aux instructions, il peut causer une interférence nuisible aux radiocommunications. Toutefois, il n'est pas garanti qu'une interférence ne puisse pas se produire dans une installation particulière. Si l'équipement cause une interférence nuisible à la réception radio ou télévisuelle, interférence qui peut être déterminée en allumant et en éteignant l'équipement, il est recommandé que l'utilisateur tente de corriger l'interférence en prenant au moins l'une des mesures suivantes : réorienter ou déplacer l'antenne de réception; augmenter la distance entre l'équipement et le récepteur; brancher l'équipement sur une prise de courant qui n'appartient pas au circuit sur lequel le récepteur est branché; consulter le vendeur ou un technicien audiovisuel expérimenté pour obtenir de l'aide.

SYMBOLES DE SÉCURITÉ

L'objectif des symboles de sécurité est d'attirer votre attention sur les dangers potentiels. Vous devez examiner attentivement et bien comprendre les symboles de sécurité et les explications qui les accompagnent. Les symboles d'avertissement en tant que tels n'éliminent pas le danger. Les consignes et les avertissements qui y sont associés ne remplacent en aucun cas les mesures préventives adéquates.

⚠ AVERTISSEMENT : Avant d'utiliser ce taille-haie, assurez-vous de lire et de comprendre toutes les consignes de sécurité présentées dans le présent guide d'utilisation, notamment toutes les consignes de sécurité indiquées par « **DANGER** », « **AVERTISSEMENT** » et « **ATTENTION** ». Le fait de ne pas respecter toutes les consignes de sécurité ci-dessous peut causer un choc électrique, un incendie ou des blessures graves.

SIGNIFICATION DES SYMBOLES




⚠ SYMBOLE D'ALERTE DE SÉCURITÉ : Indique un **DANGER**, un **AVERTISSEMENT** ou une **MISE EN GARDE**. Il peut être associé à d'autres symboles ou pictogrammes.







⚠ AVERTISSEMENT : L'utilisation de tout outil électrique peut entraîner la projection de corps étrangers dans les yeux et ainsi causer des lésions oculaires graves. Avant d'utiliser un outil électrique, veillez à toujours porter des lunettes de sécurité étanches ou à écrans latéraux, ou un masque de protection complet au besoin. Nous recommandons le port d'un masque de sécurité panoramique par-dessus les lunettes ou de lunettes de sécurité standard avec écrans latéraux. Portez toujours des lunettes de sécurité conformes à la norme ANSI Z87.1.

CONSIGNES DE SÉCURITÉ

Vous trouverez ci-dessous les symboles de sécurité qui peuvent être présents sur le produit, accompagnés de leur description. Vous devez lire, comprendre et suivre toutes les instructions présentes sur l'appareil avant d'entamer son assemblage ou sa manipulation.

V	Volt	Tension
A	Ampères	Courant
Hz	Hertz	Fréquence (cycles par seconde)
W	Watt	Puissance
 /DC	Courant continu	Type de courant ou caractéristique de courant
 /AC	Courant alternatif	Type de courant ou caractéristique de courant
°F	Température en Fahrenheit	Température
°C	Température Celsius	Température
lb	Livre	Poids
kg	Kilogramme	Poids
	Assurez-vous de lire et de comprendre le guide d'utilisation	Afin de réduire les risques de blessure, l'utilisateur doit lire le guide d'utilisation.

	Alerte de sécurité	Indique un risque de blessure.
	Lunettes de sécurité	Lorsque vous utilisez les outils électriques, portez toujours des lunettes de protection ou de sécurité à écrans latéraux et un masque de protection complet.
	WIFI	Indique la connexion Wi-Fi.
	Bluetooth	Indique la connexion Bluetooth

⚠ AVERTISSEMENT : Vous devez lire et comprendre toutes les instructions. Le fait de ne pas respecter toutes les consignes de sécurité ci-dessous peut occasionner une décharge électrique, un incendie ou des blessures graves.

⚠ AVERTISSEMENT : Ne laissez aucun liquide pénétrer à l'intérieur de la station d'alimentation, vous risqueriez de vous électrocuter.

CONSIGNES DE SÉCURITÉ IMPORTANTES

⚠ AVERTISSEMENT : Lorsque vous utilisez ce produit, suivez toujours les consignes de sécurité suivantes :

- Lisez toutes les instructions avant d'utiliser le produit.
- Ne laissez **JAMAIS** la station d'alimentation allumée et sans surveillance. Un fonctionnement sans surveillance de ce produit peut entraîner des blessures ou des dommages matériels. Éteignez la station d'alimentation lorsqu'elle n'est pas utilisée.
- Lorsque le produit est utilisé en présence d'enfants, une surveillance étroite doit être exercée afin de réduire les risques de blessure.
- Ne mettez pas les doigts ou les mains dans l'appareil.
- L'utilisation d'une pièce qui n'est pas recommandée ni vendue par le fabricant de la station d'alimentation peut constituer un risque d'incendie, de décharge électrique ou de blessure.
- Pour réduire le risque que la fiche et le cordon électriques soient endommagés, tirez sur la fiche plutôt que sur le cordon lorsque vous débranchez la station d'alimentation.
- Assurez-vous **TOUJOURS** que le cordon d'entrée de la station d'alimentation est facilement accessible pendant le fonctionnement pour permettre le débranchement rapide.
- Inspectez les rallonges avant d'utiliser ce produit et remplacez-les par des nouvelles si nécessaire. Le contact avec des rallonges électriques usées ou endommagées pourrait causer une électrocution.
- N'utilisez pas le bloc d'alimentation si le cordon, la fiche ou le câble de sortie sont endommagés.
- N'utilisez pas une station d'alimentation ou un appareil endommagé ou modifié. Les produits modifiés ou endommagés peuvent fonctionner de façon imprévisible et représenter un risque d'incendie, d'explosion ou de blessures.
- Lorsque vous chargez la pile, travaillez dans une zone bien ventilée en évitant de restreindre le débit d'air.

- Utilisez TOUJOURS la station d'alimentation dans un endroit propre, sec et bien ventilé. Assurez-vous que vos mains ne sont pas mouillées avant de toucher ce produit. L'eau peut conduire l'électricité! L'eau qui entre en contact avec des composants chargés électriquement peut transmettre de l'électricité et causer une décharge électrique à quiconque les contacte.
- N'exposez pas la station d'alimentation à la pluie ni à tout environnement mouillé. L'infiltration d'eau dans la station d'alimentation augmente les risques de décharge électrique.
- N'insérez pas de bloc-piles dans les ports de charge, ne branchez pas la station d'alimentation et ne branchez pas d'appareil à la prise d'alimentation de la station d'alimentation si vous constatez de l'humidité sur ou dans l'appareil.
- Placez la station d'alimentation sur une surface plane et stable où elle ne tombera pas et ne basculera pas.
- N'utilisez pas la station d'alimentation pour alimenter des appareils médicaux ou d'autres appareils critiques.
- Dans de mauvaises conditions, un liquide peut être éjecté du bloc-pile; évitez tout contact avec celui-ci. En cas de contact accidentel, rincez à grande eau. En cas de contact avec les yeux, consultez un médecin. Le liquide provenant des piles peut causer de l'irritation ou des brûlures.
- N'exposez pas la station d'alimentation au feu ou à une température excessive. L'exposition au feu ou à une température supérieure à 100 °C (212 °F) peut provoquer une explosion.
- N'utilisez pas la station d'alimentation à des fins autres que le chargement de composants électroniques USB (jusqu'à 2,1 A pour chaque port USB) ou d'appareils CA (jusqu'à 2000 W en continu pour 3 ports CA combinés). Toute autre utilisation peut entraîner l'arrêt du système ou même son endommagement.
- Utilisez la station d'alimentation uniquement avec les blocs-piles portables EGO de 56 V. L'utilisation de tout autre bloc-pile peut constituer un risque de blessure et d'incendie.
- La station d'alimentation n'est pas destinée à être utilisée dans un centre de réparation commercial.
- Lorsque vous utilisez la station d'alimentation, suivez toujours les consignes de sécurité suivantes :

- 1) **CONSERVEZ CES INSTRUCTIONS** – Ce manuel contient le mode d'emploi des chargeurs CH1700 et CH1700-FC et des instructions de sécurité importantes les concernant.
 - 2) Avant d'utiliser le chargeur, lisez toutes les instructions et les mises en garde figurant sur le chargeur de piles, les piles et l'article alimenté par piles.
 - 3) **⚠ ATTENTION** : Pour réduire les risques de blessure, ne chargez que des piles portables rechargeables de types Li-Ion EGO de 56 V d'un maximum de 10 000 mAh. Les autres types de piles pourraient exploser et ainsi causer des blessures ou des dommages.
 - 4) Pour un usage dans un endroit sec seulement.
 - 5) N'exposez pas l'appareil à la pluie.
- Ne démontez pas la station d'alimentation, confiez-la à un réparateur qualifié si un entretien ou une réparation est nécessaire. Tout réassemblage incorrect peut entraîner un risque de décharge électrique ou d'incendie.
 - Faites entretenir votre station d'alimentation par un réparateur qualifié en utilisant uniquement des pièces de remplacement identiques. Vous vous assurerez ainsi de respecter les consignes de sécurité de la station d'alimentation.
 - Afin de réduire les risques de décharge électrique, débranchez la station d'alimentation de la prise de courant avant de procéder à l'entretien ou au nettoyage.
 - **Conservez ces instructions.** Consultez-les régulièrement et utilisez-les pour expliquer le fonctionnement de l'outil à d'autres personnes qui l'utiliseraient. Si vous prêtez cet outil à une personne, prêtez-lui également ces instructions afin de prévenir un usage inapproprié et des blessures potentielles.

CONSERVEZ CES INSTRUCTIONS

INTRODUCTION

Nous vous félicitons d'avoir choisi un bloc-pile au lithium-ion de 56 V de nouvelle génération. Il a été conçu et fabriqué afin de vous offrir la meilleure fiabilité et le meilleur rendement possible.




Si vous éprouvez un problème que vous n'arrivez pas à régler facilement, veuillez communiquer avec le centre de service à la clientèle d'EGO au 1 855 EGO-5656.

Ce guide contient des renseignements importants sur l'assemblage, le fonctionnement et l'entretien en toute sécurité du bloc-pile. Lisez-le attentivement avant d'utiliser le bloc-pile. Conservez ce guide à portée de main afin de pouvoir le consulter à tout moment.

NUMÉRO DE SÉRIE _____	DATE D'ACHAT _____
--------------------------	-----------------------

NOUS VOUS RECOMMANDONS DE NOTER LE NUMÉRO DE SÉRIE ET LA DATE D'ACHAT ET DE LES CONSERVER EN LIEU SÛR AFIN DE POUVOIR LES CONSULTER ULTÉRIEUREMENT.

CARACTÉRISTIQUES TECHNIQUES

Déchargement	Tension d'entrée	56V 
	Sortie USB	5V  Max 2,1 A (chaque port USB)
	Sortie CA	120V ~ 60Hz 2000 W, 3000 W max (3 ports CA combinés)
Charge en cours	Entrée	120V ~, 60Hz 170W
	La valeur	56V 
	Étendue des températures de charge	5 °C à 40 °C (41 °F à 104 °F)
Étendue des températures de fonctionnement	-15 °C à 40 °C (5 °F à 104 °F)	
Étendue des températures de rangement	De -20 °C à 70 °C (de -4 °F à 158 °F)	
Poids (sans le bloc-pile)	30.2 lb (13.7 kg)	

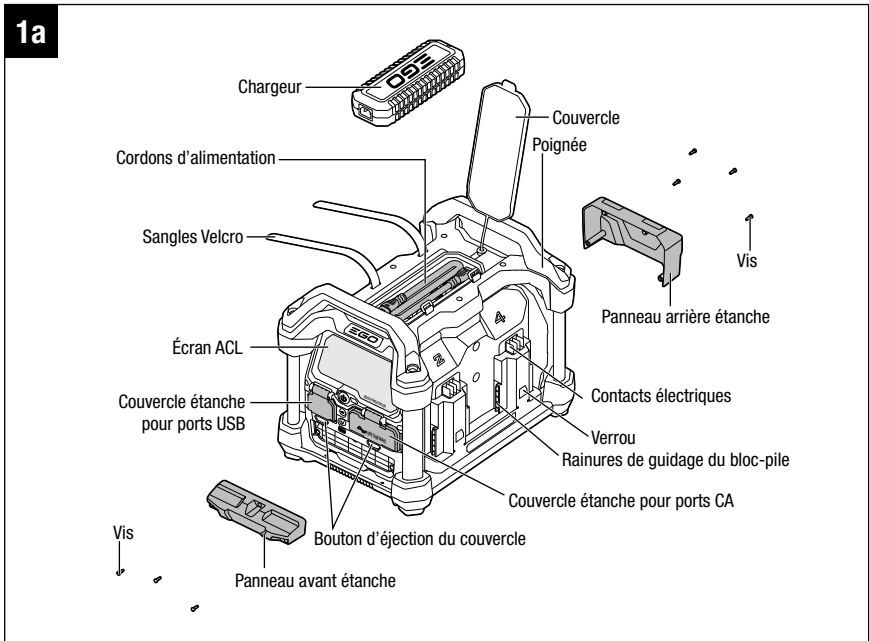
LISTE DES PIÈCES CONTENUES DANS L'EMBALLAGE

NOM DE PIÈCE	QUANTITÉ
Station d'alimentation	1
Chargeur	1
Cordon d'alimentation	2
Panneau avant étanche	1
Panneau arrière étanche	1
Avec les	7
Guide d'utilisation	1

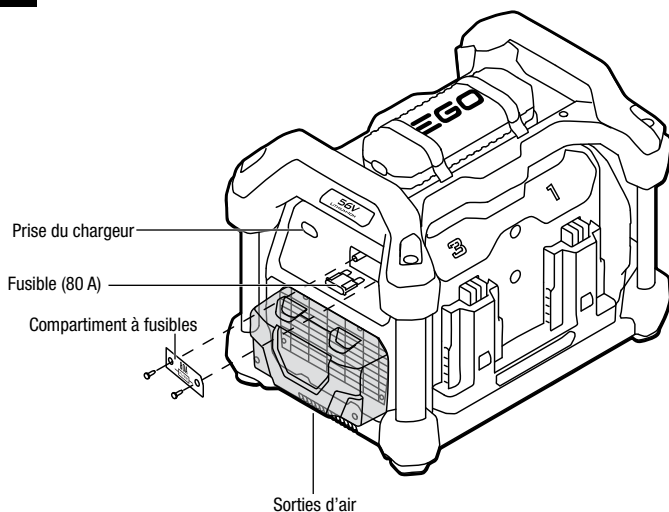
DESCRIPTION

CONNAISSEZ VOTRE station d'alimentation (Fig. 1a, 1b et 1c)

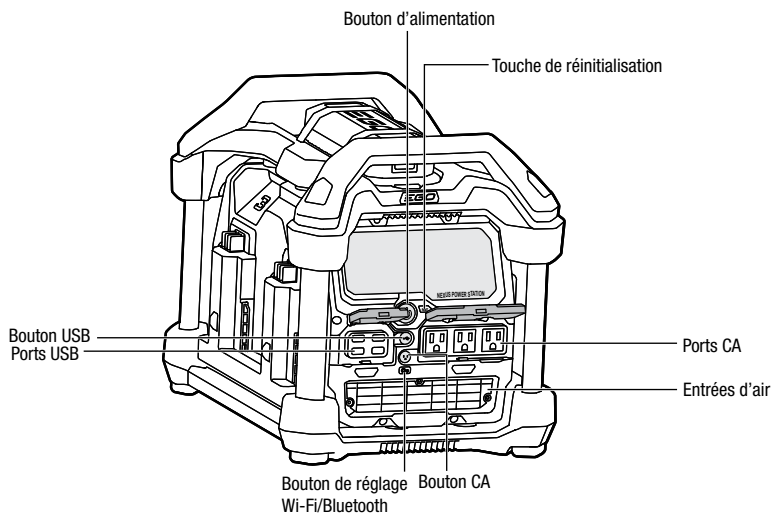
Pour utiliser ce produit en toute sécurité, vous devez comprendre les renseignements figurant sur le produit et dans le présent guide d'utilisation et connaître le projet que vous entreprenez. Avant d'utiliser ce produit, familiarisez-vous avec toutes les caractéristiques de fonctionnement et les consignes de sécurité.



1b



1c



Chargeur

La station d'alimentation peut charger jusqu'à quatre piles portables EGO par le biais du chargeur fourni et des cordons d'alimentation.

Poignée

Pour aider à soulever la station d'alimentation.

Couvercle

Pour accueillir le chargeur, ainsi qu'un couvercle pour le stockage des cordons d'alimentation.

Sangles Velcro

Pour fixer le chargeur au couvercle pour une commodité compacte.

Cordon(s) d'alimentation

Il y a deux cordons d'alimentation. L'un sert à connecter le chargeur à la station d'alimentation, l'autre à brancher le chargeur sur la source d'alimentation. La station d'alimentation peut charger les piles portables EGO une fois que les connexions sont établies.

Écran ACL

Pour afficher l'état de fonctionnement de la station d'alimentation.

Panneau avant/arrière étanche (facultatif)

Les panneaux étanches avant et arrière ne sont pas assemblés lors de l'expédition. Ils sont rangés séparément dans l'emballage. Les utilisateurs peuvent les fixer avec les vis fournies.

Verrou

Pour aider à fixer solidement la pile lors de l'installation de celle-ci sur la station d'alimentation.

Charger Socket

Pour raccorder la station d'alimentation au chargeur avec le cordon d'alimentation fourni.

Bouton d'alimentation

Pour allumer/éteindre la station d'alimentation.

Touche de réinitialisation

Pour restaurer la station d'alimentation en cas de surcharge.

Ports CA et USB

Pour connecter des appareils CA et USB. Il y a 3 ports CA et 4 ports USB.

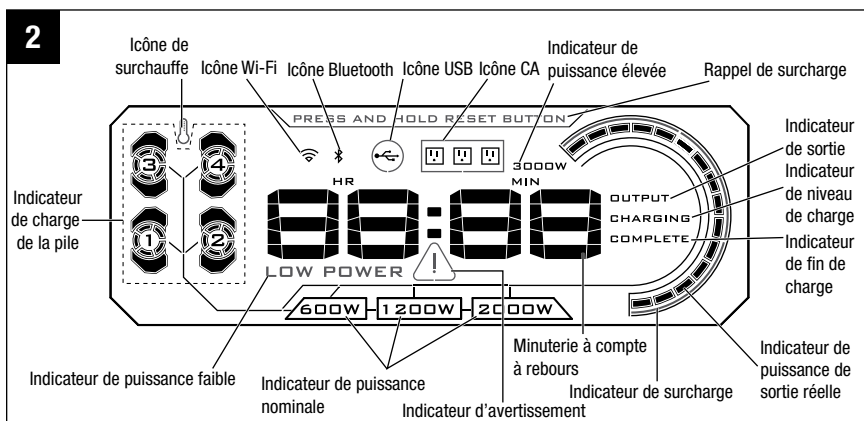
Bouton CA et USB

Pour activer/désactiver la sortie des ports CA et USB.

WIFI/Bluetooth Setting Button

Pour configurer la connexion Wi-Fi et Bluetooth et indiquer l'état de configuration.

CONNAISSEZ LES ICÔNES ET LES INDICATEURS SUR L'ÉCRAN ACL (Fig. 2)



Output Indicator

S'allume pour indiquer que la station d'alimentation est en train de se décharger lorsque le bouton CA/USB est activé.

Indicateur de niveau de charge

S'allume pour indiquer que la station d'alimentation est en cours de chargement.

Charge-complete Indicator

L'indicateur de fin de charge ainsi que l'indicateur de chargement s'allumeront pour indiquer que la charge est terminée.

Indicateur de puissance de sortie réelle

Allume un nombre différent de segments pour indiquer la puissance de sortie réelle lorsqu'un appareil est connecté au port de sortie.


Indicateur de puissance nominale (600 W, 1200 W, 2000 W)

La puissance de sortie maximale nominale varie en fonctions des piles sur la station d'alimentation Nexus.

Indicateur de puissance de pointe (3000 W)

Lorsque la puissance de sortie réelle dépasse 2000 W, mais est inférieure à 3000 W, pendant MOINS DE 3 secondes, cet indicateur s'allumera, ainsi que tous les segments de la puissance de sortie réelle.

Overload Indicator

Cet indicateur est séparé en 3 segments. Lorsque la puissance de sortie réelle dépasse la puissance nominale, le segment correspondant s'allume en rouge. Le rappel de surcharge « PRESS AND HOLD RESET BUTTON » (appuyez sur le bouton de réinitialisation et maintenez-le enfoncé) et l'indicateur d'avertissement «  » s'allumeront simultanément en rouge. Enlevez l'appareil, puis appuyez sur le bouton de réinitialisation et maintenez-le enfoncé pour réactiver la station d'alimentation.

Low-power Indicator

S'allume pour indiquer que la charge disponible de la pile est égale ou inférieure à 10 % de la charge totale nominale au cours de la décharge. Aucun temps d'utilisation ne sera affiché sur l'écran ACL et la station d'alimentation arrêtera de se décharger lorsque toutes les piles seront complètement déchargées.

Indicateur d'avertissement

S'allume lorsqu'un problème survient et que la station d'alimentation ne peut pas fonctionner correctement.

Battery Indicator Area

Chaque indicateur comprend trois aspects :

- Les zones polygonales supérieure et inférieure montrent l'état de la pile associée.
- L'indicateur de puissance entouré de segments montre la charge restante de la pile.
- Le numéro de la pile indique sa position.

Over-heat Icon

S'allume lorsque la station d'alimentation Nexus surchauffe. Le système s'arrêtera.

WIFI Icon

S'allume lorsque la station d'alimentation Nexus est connectée à un réseau Wi-Fi.

Icône Bluetooth

S'allume lorsque la station d'alimentation Nexus est connectée au téléphone portable au moyen de la connexion Bluetooth

Icône USB/CA

S'allume pour indiquer que le port USB/CA a été activé.

Minuterie à compte à rebours

Cette minuterie indique le temps restant avant la charge ou la décharge complète. Lorsque la station d'alimentation Nexus cesse de fonctionner ou si sa puissance est faible, la minuterie ne s'affichera pas.

FONCTIONNEMENT

⚠ AVERTISSEMENT : même si vous connaissez parfaitement ce produit, soyez vigilant. N'oubliez pas, il suffit d'être négligent une fraction de seconde pour se blesser gravement.

⚠ AVERTISSEMENT : n'utilisez pas de pièces ni d'accessoires qui ne sont pas recommandés par le fabricant de ce produit. L'utilisation de pièces ou d'accessoires non recommandés peut occasionner des blessures graves

⚠ AVERTISSEMENT : Ne tentez pas de modifier ni de réparer la station d'alimentation Nexus, sauf tel qu'indiqué dans les instructions pour l'utilisation et l'entretien.

⚠ ATTENTION : Cet appareil n'est pas conçu pour une utilisation dans un centre de réparation commercial.

⚠ ATTENTION : L'appareil doit être rangé à l'intérieur et protégé des intempéries. L'appareil ne doit pas être chargé à l'extérieur. Lors de l'utilisation, des mesures devraient être prises pour réduire l'exposition à la pluie, au grésil, à la neige, etc.

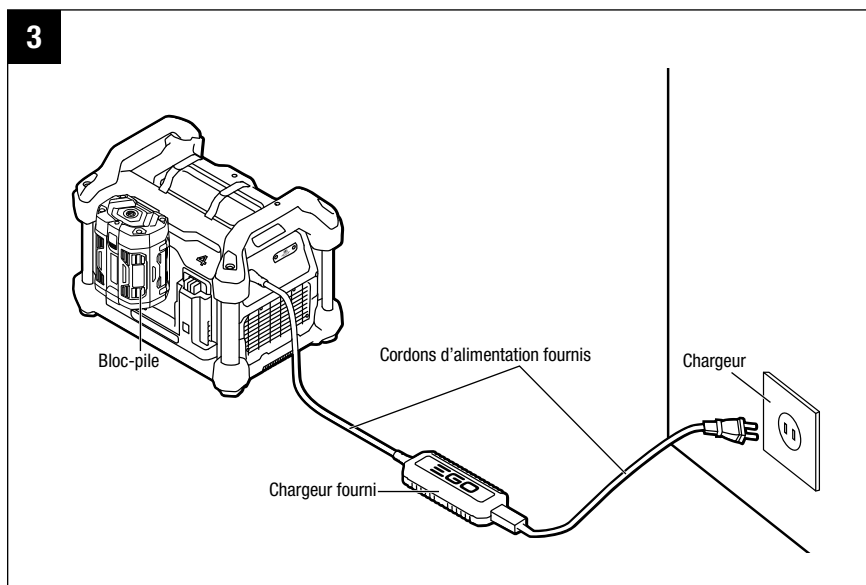
UTILISATION

Vous pouvez utiliser cet article pour les pannes d'électricité, le camping et chaque fois que vous avez besoin d'énergie pendant de longues périodes.

La station d'alimentation Nexus possède 4 ports USB et 3 ports CA. Chaque port USB peut fournir une sortie CC de 5 V allant jusqu'à 2,1 A pour alimenter les appareils USB, tels que votre téléphone portable, vos tablettes, etc. Les 3 ports CA combinés peuvent fournir une tension de sortie continue de 120 V CA, 2000 W (maximum de 3000 W pendant moins de 3 secondes) pour alimenter des appareils CA, comme un réfrigérateur, un téléviseur, un ordinateur portable, etc.

La station d'alimentation Nexus est équipée d'un chargeur permettant de recharger jusqu'à quatre piles portables EGO.

CHARGEMENT DES PILES PORTABLES EGO (Fig. 3)



1. Connectez le chargeur fourni avec la source d'alimentation (120 V, 60 Hz) et la station d'alimentation Nexus à l'aide des deux cordons d'alimentation fournis. Assurez-vous que les connexions sont sécurisées et fiables.
2. Alignez les nervures en saillie du bloc-pile sur la fente de guidage de la station d'alimentation Nexus, puis insérez le bloc-pile à l'intérieur du Nexus. Assurez-vous que la pile est correctement fixée au Nexus.
3. La station d'alimentation Nexus échangera avec le bloc-pile et commencera le chargement de la pile.
4. Les indicateurs de chargement sur l'écran ACL s'allumeront et le bouton d'alimentation clignotera lentement en vert. L'écran affiche le temps de charge restant en heures et en minutes avant que la pile soit complètement chargée. Lorsque la charge est terminée, l'indicateur de fin de charge s'allumera également et le bouton d'alimentation s'allumera en vert.

AVIS : Pendant le processus de charge, l'écran ACL peut devenir noir et ne rien afficher. Vous pouvez appuyer sur n'importe lequel des boutons d'alimentation/USB/CA/ de réinitialisation ou refixer la pile pour rallumer l'écran.

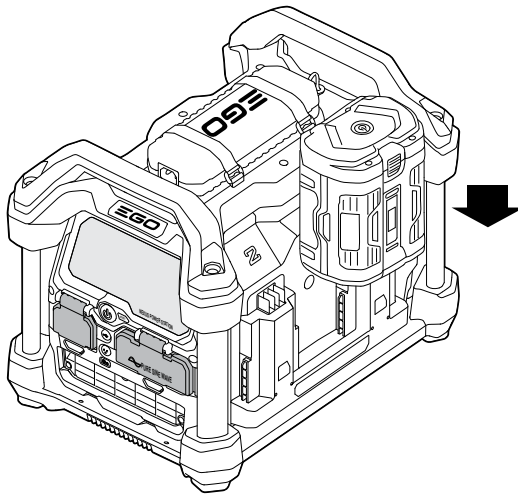
5. Pendant le chargement, les zones polygonales supérieure et inférieure de l'indicateur de charge de la pile correspondante s'allumeront, le dernier segment de l'indicateur de puissance entouré clignotera et les autres segments seront brillants. S'il y a plus de deux piles fixées sur la station d'alimentation, le chargement se fera de manière séquentielle. Les zones polygonales supérieure et inférieure du symbole associé à chaque pile à charger s'allumeront et l'indicateur de mise en marche indiquera la capacité des piles actuelle.

ALIMENTATION DES APPAREILS CA/USB

AVIS : Pour des performances optimales, chargez complètement toutes les piles EGO avant de les utiliser. Chargez votre bloc-piles dans un endroit où la température est supérieure à 5 °C (41 °F) et inférieure à 40 °C (104 °F).

1. Fixez les piles solidement sur n'importe quelle rainure de guidage du bloc-pile de la station d'alimentation Nexus. Le Nexus peut fonctionner avec une seule pile, mais la puissance de sortie peut être limitée.

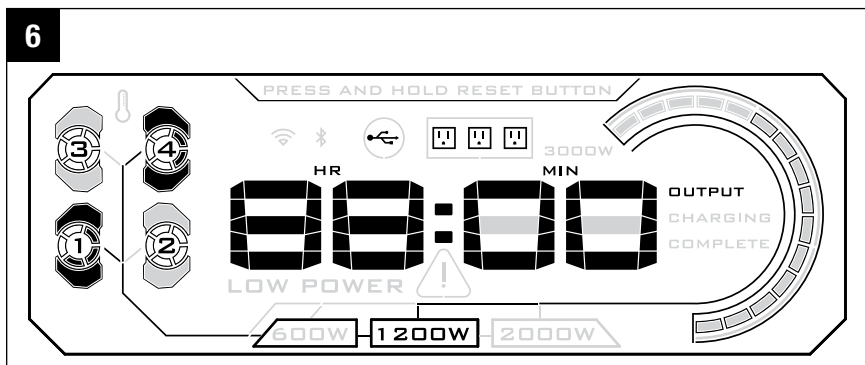
5



2. Appuyez sur le bouton des couvercles CA ou USB pour l'ouvrir (voir Fig. 1c) et branchez les appareils USB ou CA à n'importe quel port de la station d'alimentation Nexus.

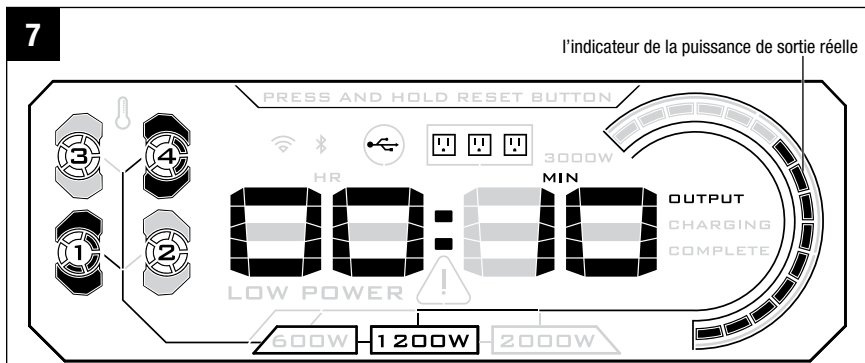
- Appuyez sur le bouton d'alimentation pour allumer la station d'alimentation Nexus. La station d'alimentation Nexus sera en mode d'autovérification et tous les indicateurs sur l'écran ACL s'allumeront pendant moins d'une seconde. Ensuite, l'écran ACL reviendra à l'affichage normal.

Par exemple, 2 piles BA1400T sont situées aux positions 1 et 4. Elles ont une capacité de 70 % et 30 % respectivement. La puissance de sortie maximale nominale est de 1200 W. L'écran ACL affichera ce qui est indiqué à la fig. 6. Le temps « 88 heures » affiché sur l'écran ACL est estimé automatiquement, en fonction de la puissance nominale.




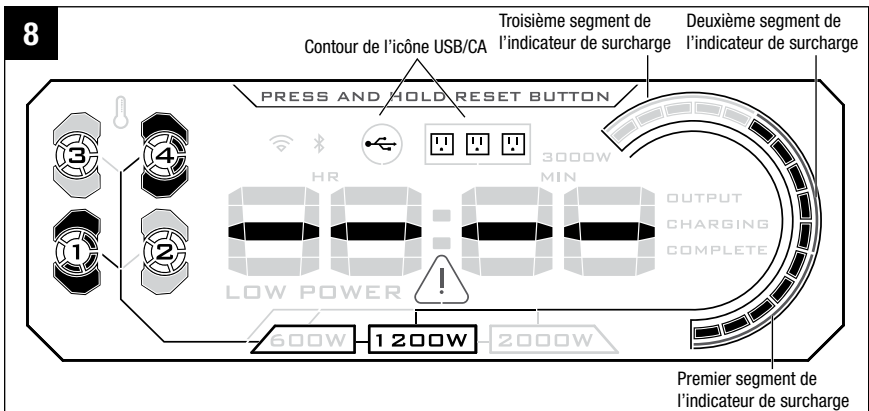
- Appuyez sur le bouton CA ou USB (voir fig. 1c), selon le cas, pour charger les appareils CA ou USB. Lorsque l'appareil connecté est allumé, le temps affiché change et l'indicateur de la puissance de sortie réelle correspondant allume certains segments en fonction de la puissance de sortie réelle.

Par exemple, pour un appareil de 1000 W (à l'intérieur de 1200 W), le temps d'utilisation disponible estimé est de 10 minutes avec plusieurs segments qui montrent la puissance de sortie réelle (Fig. 7).



CONDITION DE SURCHARGE

Lorsque la puissance de sortie réelle dépasse la puissance nominale, le segment correspondant dans l'indicateur de surcharge s'allume en rouge. Par exemple, pour un appareil de 1400 W (dépasant la capacité maximale de 1200 W), le temps d'utilisation disponible s'affichera comme non valide et l'indicateur de surcharge correspondant s'allumera en ROUGE (Fig. 8). En même temps, le rappel « **PRESS AND HOLD RESET BUTTON** » (APPUYEZ SUR LE BOUTON DE RÉINITIALISATION ET MAINTENEZ-LE ENFONCÉ), l'indicateur d'avertissement «  » et le carré entourant l'icône USB/CA s'allumeront en rouge.



AVIS: L'indicateur de surcharge est séparé en 3 segments.


- Le premier segment s'allumera en rouge lorsque la puissance nominale est de 600 W et que la puissance de sortie réelle est supérieure à 600 W;
- Le premier et le deuxième segment s'allumeront en rouge lorsque la puissance nominale est de 1200 W et que la puissance de sortie réelle est supérieure à 1200 W;
- Les trois segments s'allumeront en rouge lorsque la puissance nominale est de 2000 W et que la puissance de sortie réelle dépasse la puissance nominale (2000 W en continu et 3000 W maximum).

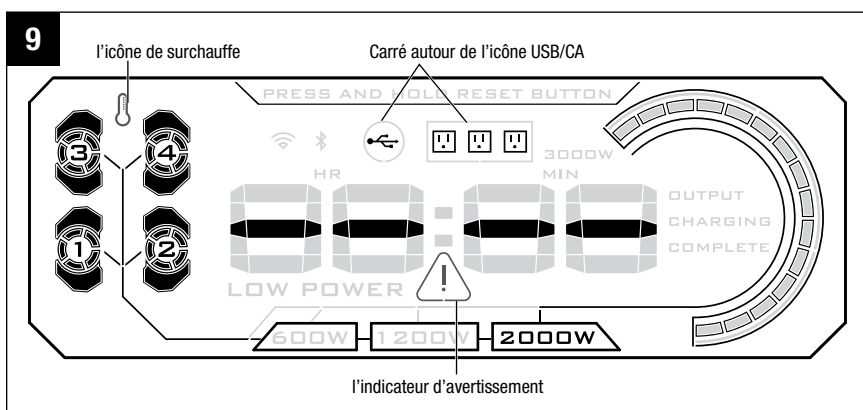
En cas de surcharge, retirez tous les appareils, appuyez sur le bouton de réinitialisation et maintenez-le enfoncé pour rallumer la station d'alimentation Nexus.

CONDITION DE SURCHAUFFE

Lorsque la station d'alimentation Nexus est surchauffée, l'icône de surchauffe s'allume en rouge.

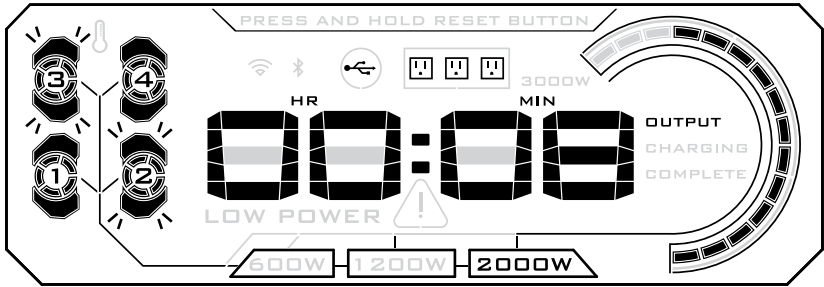
Par exemple, si la station d'alimentation Nexus contient 4 piles, la puissance nominale est de 2000 W.

- Lorsque la station d'alimentation Nexus surchauffe elle-même, l'icône de surchauffe, l'indicateur d'avertissement, «» et la ligne carrée autour de l'icône USB/CA s'allumeront en rouge et le temps d'utilisation disponible s'affichera comme non valide (fig. 9). **La station d'alimentation Nexus cessera de se décharger.**



- Lorsque moins de quatre piles connectées surchauffent, seules les zones polygonales supérieure et inférieure de l'indicateur de piles surchauffées s'allumeront (fig. 9), tandis que les autres indicateurs de piles s'allument normalement. **La station d'alimentation Nexus peut se décharger normalement.**

10



- En cas de surchauffe, retirez la pile de la station d'alimentation Nexus et placez-la dans un endroit frais pour la laisser refroidir complètement.
5. Une fois la décharge terminée, débranchez les appareils de la station d'alimentation Nexus, puis appuyez sur les boutons CA ou USB pour arrêter le débit, puis fermez le couvercle correspondant.
 6. Appuyez sur le bouton d'alimentation pour éteindre la station d'alimentation Nexus.

REMARQUE :

- Le chargement des piles portables EGO et l'alimentation des appareils CA ou USB ne peuvent pas être effectués en même temps. Une seule fonction peut être utilisée à la fois.
- N'insérez pas la fiche du chargeur fournie dans le port CA du Nexus.
- Si les appareils USB connectés à la station d'alimentation Nexus ont besoin de plus que la sortie nominale (2,1 A max pour chaque port CC), la sortie de chaque port restera à une intensité de 2,1 A.
- Si la pile ne fonctionne pas normalement pour une raison autre que la surchauffe, l'indicateur de piles ne la détectera pas. Tentez de remettre la pile en place.
- Lorsque la centrale électrique Nexus est retirée de la température la plus basse à la température ambiante pour un démarrage immédiat, de la vapeur d'eau peut y pénétrer, ce qui entraîne un affichage incomplet de l'écran LCD. Attendez que la vapeur d'eau disparaisse complètement, l'affichage à cristaux liquides retournera à la normale.

⚠ AVERTISSEMENT : N'insérez pas de clou, de fil, etc. dans le port d'alimentation USB. Autrement, un court-circuit pourrait produire de la fumée et causer un incendie.

⚠ AVERTISSEMENT : N'insérez pas de clou, de fil, etc. dans le port d'alimentation CA, vous risqueriez de subir une décharge électrique.

⚠ AVERTISSEMENT : Ne branchez aucun des ports CA avec les prises CA situées sur les murs de votre maison, vous risqueriez d'être électrocuté ou de causer des dommages graves.

EGO CONNECT

Cette station d'alimentation Nexus peut fonctionner avec les téléphones IOS et Android et fournir une variété de fonctionnalités connectées dans EGO CONNECT.

1. Allez sur Apple Store (téléphone IOS) ou Google Play (téléphone Android) pour rechercher et télécharger l'application « **EGO Power+** » afin de l'installer.
2. Suivez les instructions dans l'application pour créer un compte avant d'utiliser ce produit, vous pouvez également vous connecter directement à l'aide de votre compte existant sur le site Web.powerplus.com d'EGO.

AVERTISSEMENT : L'application EGO Power+ fonctionne avec Android version 5.0 et ultérieures et IOS version 11 et ultérieures.

CONNEXION Bluetooth

Assurez-vous que la fonction Bluetooth de votre téléphone est activée et que la station d'alimentation Nexus est à proximité. Nous vous suggérons d'ajouter la station d'alimentation Nexus à l'onglet « MY GARAGE » dans l'application EGO Power+ avant de vous connecter.

1. Mettez en marche votre station d'alimentation Nexus.
2. Allez à EGO CONNECT dans l'application EGO Power+. L'application recherchera automatiquement une station d'alimentation Nexus connectable à proximité.
3. Sélectionnez le Nexus que vous souhaitez connecter, puis suivez les instructions dans l'application pour terminer la connexion.
4. Une fois la connexion établie, suivez les instructions dans l'application pour commencer votre configuration à distance.

CONNEXION WI-FI À DISTANCE

Nexus est équipé de la fonction Wi-Fi et peut prendre en charge l'accès à distance par le biais de l'application EGO Power+. Avant de pouvoir accéder à Nexus à distance, vous devez d'abord ajouter Nexus à votre réseau Wi-Fi domestique :

1. Assurez-vous que le Nexus est à proximité, qu'il est allumé et que votre téléphone est actuellement connecté au Wi-Fi auquel vous souhaitez ajouter Nexus.
2. Ajoutez Nexus à l'onglet « MON GARAGE » avant de le connecter au Wi-Fi.
3. Vous pouvez établir la connexion Wi-Fi avec le Nexus après avoir ajouté Nexus à l'onglet « MY GARAGE » ou être allé sur la page d'EGO CONNECT sur le site Web du Nexus et avoir sélectionné l'icône Wi-Fi au haut. L'application vous guidera à travers les processus suivants.

AVIS : Les Wi-Fi publics ou les Wi-Fi d'entreprises peuvent avoir des pare-feu qui bloquent l'accès Wi-Fi du Nexus.

ENTRETIEN

⚠ AVERTISSEMENT : Pour éviter des blessures graves, veuillez toujours éteindre l'outil et retirez le bloc-piles avant d'effectuer toute tâche d'entretien ou de nettoyage.

⚠ AVERTISSEMENT : Lorsque vous procédez à l'entretien de l'article, utilisez uniquement des pièces de rechange EGO identiques aux pièces d'origine. L'utilisation de toute autre pièce peut constituer un danger ou endommager le produit. Pour garantir une utilisation sécuritaire du produit et sa fiabilité, toutes les réparations doivent être effectuées par un technicien qualifié.

ENTRETIEN GÉNÉRAL

Évitez d'utiliser des solvants sur les pièces en plastique. La plupart des plastiques sont susceptibles d'être endommagés par divers types de solvants commerciaux. Utilisez un linge propre pour enlever la saleté, la poussière, l'huile, la graisse, etc.

⚠ AVERTISSEMENT : Ne laissez jamais du liquide pour freins, de l'essence, des produits à base de pétrole, etc., entrer en contact avec les pièces en plastique. Les produits chimiques peuvent endommager, affaiblir ou détruire le plastique et engendrer ainsi des risques de blessures graves.

TRANSPORT DE L'UNITÉ

⚠ ATTENTION : Respectez les instructions de levage pendant le transport afin de garantir la sécurité.

Avant de transporter votre station d'alimentation Nexus, n'oubliez pas que vous devez :

1. débrancher toutes les charges;
2. éteindre la station d'alimentation Nexus;
3. soulever la station d'alimentation Nexus en saisissant les poignées latérales avec les deux mains, une sur chaque poignée.

RANGEMENT DE L'APPAREIL

- Éteignez la station d'alimentation Nexus.
- Nettoyez complètement l'outil avant de le ranger.

- Rangez l'appareil dans un endroit sec, bien aéré, surélevé ou verrouillé, et hors de portée des enfants. Ne rangez pas l'appareil sur des engrais, de l'essence ou d'autres produits chimiques, ni à proximité de ces produits. Ne rangez pas ou ne laissez pas l'appareil à l'extérieur lorsqu'il n'est pas utilisé.

DÉPANNAGE

PROBLÈME	CAUSE	SOLUTION
La station d'alimentation Nexus ne peut pas charger les piles portables EGO lors de l'utilisation du chargeur fourni. Aucun indicateur de mise en marche de la pile affichée.	<ul style="list-style-type: none">■ La connexion entre la station d'alimentation Nexus et le chargeur est mauvaise.■ La pile n'est pas fixée correctement.	<ul style="list-style-type: none">■ Rebranchez le chargeur avec la station d'alimentation Nexus.■ Enlevez la pile et remettez-la en place.
L'icône de surchauffe sur l'écran ACL s'allume en rouge.	<ul style="list-style-type: none">■ La station d'alimentation Nexus est trop chaude.	<ul style="list-style-type: none">■ Éteignez et laissez refroidir complètement la station d'alimentation Nexus jusqu'à ce que les ports CA puissent fonctionner
L'indicateur de la pile sur l'écran ACL clignote. La station d'alimentation Nexus peut fonctionner normalement.	<ul style="list-style-type: none">■ Le bloc-pile est trop chaud.	<ul style="list-style-type: none">■ Retirez la pile de la station d'alimentation Nexus. Laissez refroidir l'appareil jusqu'à ce que sa température soit inférieure à 67 °C (152 °F).
Pendant la charge, vous pourriez remarquer que la charge passe d'une pile à l'autre.	<ul style="list-style-type: none">■ La charge est conçue ainsi pour assurer un rendement de sortie optimal, et pour que la pile dont la charge est la plus basse soit chargée en premier pour que toutes les piles affichent une charge similaire lorsqu'elles commenceront à se décharger.	<ul style="list-style-type: none">■ S.O.

PROBLÈME	CAUSE	SOLUTION
<p>La station d'alimentation Nexus cesse de se décharger.</p>	<ul style="list-style-type: none"> ■ Le fusible est surchargé. ■ La station d'alimentation Nexus est surchargée ■ La station d'alimentation Nexus surchauffe. ■ La pile est en basse tension, inférieure à 10 % de la charge totale. 	<ul style="list-style-type: none"> ■ Remplacez le fusible par un nouveau par un technicien qualifié. Le fusible identique est de 80 ampères, illustré à la Fig.1b. ■ Retirez l'appareil et appuyez sur le bouton de réinitialisation pour réactiver la station d'alimentation Nexus. ■ Détachez la batterie de la centrale Nexus et déplacez-la dans un endroit frais pour un refroidissement en profondeur. ■ Chargez le bloc-piles.
<p>Pendant le déchargement, les piles des générations précédentes clignoteront en rouge, vert ou orange, tandis que les piles de la nouvelle génération seront allumées en vert.</p>	<ul style="list-style-type: none"> ■ Ceci est tout à fait normal et n'a aucune incidence sur les fonctionnalités et les performances de la station d'alimentation Nexus. Les piles EGO de différentes générations ne s'afficheront pas de la même manière. 	<ul style="list-style-type: none"> ■ s.o.

GARANTIE

POLITIQUE D'EGO EN MATIÈRE DE GARANTIE

Garantie limitée de 5 ans sur les équipements d'alimentation électrique d'extérieur EGO POWER+ et les équipements d'alimentation électrique portable pour un usage personnel et domestique.

Garantie limitée de 3 ans sur les blocs-piles et chargeurs du système EGO POWER+ pour un usage personnel et domestique.

Garantie limitée de 2 ans/1 an sur les équipements d'alimentation électrique d'extérieur, les équipements d'alimentation électrique portables, les blocs-piles et les chargeurs EGO pour un usage professionnel et commercial.

La durée et les détails de la garantie de chaque produit sont indiqués en ligne à l'adresse <http://egopowerplus.com/pages/warranty-policy>.

Veillez communiquer avec le service à la clientèle d'EGO au 1 855 EGO-5656 (numéro sans frais) pour toute question sur les réclamations au titre de la garantie.

GARANTIE LIMITÉE

Les produits EGO sont garantis contre tout défaut de matériel ou de fabrication à compter de la date d'achat d'origine pour la période de garantie applicable. Les produits défectueux recevront une réparation gratuite.

- a) Cette garantie s'applique uniquement à l'acheteur initial s'étant procuré le produit chez un détaillant EGO autorisé et est non transférable. La liste des détaillants EGO autorisés est publiée en ligne sur le site <http://egopowerplus.com/pages/warranty-policy>.
- b) La période de garantie pour les produits remis en état ou certifiés par l'usine utilisés à des fins résidentielles est de 1 an, et de 90 jours lorsqu'ils sont utilisés à des fins industrielles, professionnelles ou commerciales.
- c) La période de garantie pour les pièces d'entretien régulier, y compris, sans s'y limiter, les lames, les têtes de taille-bordure, les guides-chaînes, les chaînes de scie, les courroies, les barres de raclage, les buses de souffleur, ainsi que tous les autres accessoires EGO, est de 90 jours lorsqu'elles sont utilisées à des fins résidentielles et de 30 jours lorsqu'elles sont utilisées à des fins industrielles, professionnelles ou commerciales. Ces pièces sont couvertes contre les défauts de fabrication pour une période de 90 jours ou de 30 jours si elles sont utilisées dans des conditions de travail normales.

- d) La présente garantie n'est pas valide si le produit a été utilisé aux fins de location.
- e) La présente garantie ne couvre pas les dommages résultant d'une modification, d'une altération ou d'une réparation non autorisée.
- f) Cette garantie couvre uniquement les défauts survenant dans des conditions normales d'utilisation et ne couvre aucun dysfonctionnement ou défaut ni aucune défaillance découlant d'un usage inapproprié ou abusif (notamment la surcharge du produit et son immersion dans l'eau ou dans tout autre liquide), d'un accident, d'une négligence, d'une installation inadéquate et de tout entretien ou entreposage inadéquat.
- g) La présente garantie ne couvre pas la détérioration normale du fini extérieur, notamment les rayures, les bosselures, les craquelures de la peinture ou toute corrosion ou décoloration résultant de la chaleur, de produits abrasifs ou de nettoyeurs chimiques.

RÉCLAMATION AU TITRE DE LA GARANTIE

Pour faire une réclamation au titre de la garantie, veuillez communiquer avec le service à la clientèle d'EGO au **1 855 EGO-5656** (numéro sans frais). Lorsque vous faites une réclamation au titre de la garantie, vous devez présenter le reçu de vente original. Un centre de service autorisé sera sélectionné pour la réparation du produit conformément aux conditions de garantie prescrites. Il se peut qu'un petit dépôt soit exigé lorsque vous laissez votre outil dans un centre de service autorisé. Ce dépôt est remboursable lorsque le service de réparation est considéré comme étant couvert par la garantie.

RESTRICTIONS SUPPLÉMENTAIRES

Dans la mesure permise par la loi en vigueur, toutes les garanties implicites, y compris les garanties de QUALITÉ MARCHANDE ou D'ADÉQUATION À UN USAGE PARTICULIER, sont exclues. Toute garantie implicite, y compris la garantie de qualité marchande ou d'adéquation à un usage particulier, qui ne peut être rejetée en vertu de la loi de l'État ou de la province est limitée à la période de garantie applicable définie au début de cet article.

Chervon North America n'est pas responsable des dommages accessoires, consécutifs, indirects ou directs.

Certaines provinces n'autorisent pas les restrictions de durée de garantie implicite, ou l'exclusion ou la restriction des dommages consécutifs et accessoires; c'est pourquoi les restrictions ci-dessus peuvent ne pas s'appliquer à votre cas.

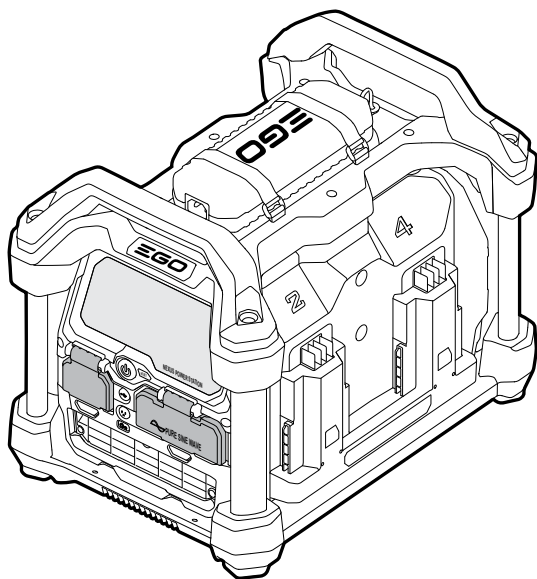
Cette garantie vous confère des droits précis. Il est possible que vous disposiez également d'autres droits, qui varient d'une province à l'autre.

Pour communiquer avec le service à la clientèle, veuillez composer le numéro sans frais suivant : **1 855 EGO-5656** ou consulter le site Web **EGOPOWERPLUS.COM**.

EGO Customer Service, 769 SEWARD AVE NW / Suite 102 Grand Rapids, MI 49504, États-Unis.

EGO™

POWER⁺ NEXUS POWER STATION



MANUAL DEL OPERADOR

CENTRAL DE ENERGÍA NEXUS DE 56 VOLTIOS

NÚMERO DE MODELO PST3040/ PST3040-FC

⚠ ADVERTENCIA: Para reducir el riesgo de lesiones, el usuario debe leer y comprender el Manual del usuario antes de usar el producto. Guarde estas instrucciones para consultarlas en el futuro.

ÍNDICE

Declaración de la FCC	70
Símbolos de seguridad	71
Instrucciones de seguridad	72-76
Introducción	77
Especificaciones	78
Lista de empaque	78
Descripción	79-84
Operación	85-92
Mantenimiento	93
Solución de problemas	94-95
Garantía	96-99

LEA TODAS LAS INSTRUCCIONES.



LEA Y COMPRENDA
EL MANUAL DEL OPERADOR

⚠ ADVERTENCIA: Para reducir el riesgo de lesiones, incendio o descarga eléctrica, el usuario debe leer y comprender el manual del operador de los accesorios USB y dispositivos de CA además de este manual. Garantice la compatibilidad antes de usar esta central de energía. No utilice este producto si hay piezas dañadas o faltantes.

DECLARACIÓN DE LA FCC

1. Este dispositivo cumple con la Sección 15 de las reglas de la FCC. El funcionamiento está sujeto a las siguientes dos condiciones:
 - (1) Este dispositivo no debe causar interferencia perjudicial.
 - (2) Este dispositivo debe aceptar cualquier interferencia que reciba, incluida la interferencia que pueda causar un funcionamiento no deseado.
2. Los cambios o modificaciones que no estén expresamente aprobados por la parte responsable del cumplimiento podrían anular la autorización del usuario para utilizar el equipo.

AVISO: Este equipo ha sido probado y se ha verificado que cumple los límites para un dispositivo digital clase B, conforme a la sección 15 de las reglas de la FCC. Estos límites están diseñados para proporcionar protección razonable contra interferencias perjudiciales en una instalación residencial. Este equipo genera, utiliza y puede irradiar energía de radiofrecuencia y, si no se instala y usa de acuerdo con las instrucciones, puede causar interferencia perjudicial a las comunicaciones de radio. Sin embargo, no se garantiza que no se producirán interferencias en una instalación en particular. Si este equipo causa interferencia perjudicial a la recepción de radio o televisión, lo que se puede determinar al encender y apagar el equipo, se recomienda al usuario que intente corregir la interferencia con una o más de las siguientes medidas: Reorientar o reubicar la antena de recepción. Aumente la separación entre el equipo y el receptor. Conecte el equipo a un tomacorriente de otro circuito (diferente de donde estaba conectado el receptor). Consulte con el distribuidor o con un técnico de radio y televisión experimentado.

SÍMBOLOS DE SEGURIDAD

El fin de los símbolos de seguridad es alertarlo sobre posibles peligros. Los símbolos de seguridad y las explicaciones que se dan merecen su atención y comprensión cuidadosa. Las advertencias del símbolo no eliminan por sí mismas ningún peligro. Las instrucciones y las advertencias no sustituyen las medidas adecuadas de prevención de accidentes.

⚠ ADVERTENCIA: asegúrese de leer y de comprender todas las instrucciones de seguridad en este manual del operador, incluidos todos los símbolos de alerta de seguridad como “PELIGRO”, “ADVERTENCIA” Y “PRECAUCIÓN” antes de usar esta herramienta. Si no se siguen todas las instrucciones que figuran a continuación, se pueden producir electrocuciones, incendios y lesiones.

SIGNIFICADO DEL SÍMBOLO





⚠ SÍMBOLO DE ALERTA DE SEGURIDAD: indica PELIGRO, ADVERTENCIA O PRECAUCIÓN. Puede emplearse junto con otros símbolos o pictografías.






⚠ ADVERTENCIA: Durante el funcionamiento de cualquier herramienta eléctrica, pueden entrar objetos extraños a los ojos y causar graves daños oculares. Use siempre lentes o gafas de seguridad con protecciones laterales y, cuando sea necesario, un protector facial que cubra todo el rostro antes de comenzar a operar una herramienta eléctrica. Recomendamos usar una máscara de seguridad de visión amplia sobre los lentes o las gafas de seguridad estándar con protección lateral. Use siempre lentes de protección con la marca de cumplimiento de la norma ANSI Z87.1.

INSTRUCCIONES DE SEGURIDAD

En esta página se muestran y describen los símbolos de seguridad que pueden aparecer en este producto. Lea, comprenda y siga todas las instrucciones de la máquina antes de ensamblarla y utilizarla.

V	Voltios	Voltaje
A	Amperios	Corriente
Hz	Hercios	Frecuencia (ciclos por segundo)
W	Vatios	Electricidad
 /DC	Corriente continua	Tipo o característica de corriente
 /AC	Corriente alterna	Tipo o característica de corriente
°F	Temperatura Fahrenheit	Temperatura
°C	Temperatura Celsius	Temperatura
lb	Libras	Peso
kg	Kilogramos	Peso
	Lea y comprenda el manual del operador	Para reducir el riesgo de lesiones, debe leer el Manual del usuario.
	Alerta de seguridad	Indica que existe el riesgo de que se produzcan lesiones personales.

	Lentes de protección	Siempre use gafas o lentes de seguridad con protecciones laterales y un protector facial que cubra todo el rostro cuando opere las herramientas eléctricas.
	WIFI	Indica conexión Wifi.
	Bluetooth	Indica conexión Bluetooth.

⚠ ADVERTENCIA: Lea y comprenda todas las instrucciones. Si no se siguen todas las instrucciones que se indican a continuación, se pueden producir descargas eléctricas, incendios o graves lesiones personales.

⚠ ADVERTENCIA: No permita que ingrese ningún tipo de líquido dentro de la central de energía o se puede producir una descarga eléctrica.

INSTRUCCIONES IMPORTANTES DE SEGURIDAD

⚠ ADVERTENCIA: Al usar este producto, siempre se deben respetar las medidas de precaución, inclusive las siguientes:

- Lea todas las instrucciones antes de usar el producto.
- **NUNCA** deje la central de energía encendida y sin supervisión. El uso de este producto sin supervisión puede causar lesiones personales o daños a la propiedad. Apague la central de energía cuando no esté en uso.
- Para reducir el riesgo de lesiones, es necesario supervisar el artefacto cuando se usa cerca de los niños.
- No introduzca los dedos o las manos dentro del artefacto.
- El uso de aditamentos no recomendados ni vendidos por el fabricante de la central de energía puede provocar riesgos de incendio, descarga eléctrica o lesiones a las personas.
- Para reducir el riesgo de daño en el enchufe o en el cable, tire del enchufe y no del cable al desconectar la central de energía.
- **SIEMPRE** asegúrese de que el cable del cargador esté en un lugar accesible durante el funcionamiento para permitir una desconexión rápida de la red de suministro eléctrico.
- Verifique las extensiones eléctricas antes de usar y reemplácelas si es necesario. El contacto con extensiones eléctricas gastadas o dañadas puede provocar electrocución.
- No opere el paquete eléctrico con el cable o enchufe dañados o con el cable de salida dañado.
- No utilice una central de energía o aparato si están dañados o modificados. Los productos dañados o modificados pueden mostrar una conducta impredecible que puede ocasionar incendios, explosiones o riesgo de lesión.
- Al cargar la batería, hágalo en un lugar bien ventilado y no restrinja la ventilación de ninguna manera.
- **SIEMPRE** utilice la central de energía en un área limpia, seca y bien ventilada. Asegúrese de que las manos estén secas antes de tocar el aparato. ¡El agua puede conducir la electricidad! El agua que entra en contacto con componentes

cargados de electricidad puede transmitir electricidad y puede causar descargas eléctricas a cualquiera que esté en contacto con ellos.

- No exponga la central de energía a la lluvia o a condiciones de humedad. Si ingresa agua a la central de energía, aumentará el riesgo de electrocución.
- No inserte paquetes de baterías dentro de los puertos de carga, no enchufe el aparato, ni enchufe cualquier dispositivo en el tomacorriente del aparato si detecta humedad sobre o dentro de la central eléctrica.
- Ubique la central de energía en una superficie plana y estable donde no se pueda caer o inclinar.
- No use la central de energía para alimentar dispositivos médicos u otro tipo de aparatos críticos.
- En condiciones de uso indebido, puede salir líquido de la batería. Evite el contacto con este líquido. Si se produce un contacto accidental, enjuague con agua. Si el líquido entra en contacto con los ojos, solicite atención médica adicional. El líquido que libera la batería puede causar irritación o quemaduras.
- No exponga la central de energía al fuego o a temperaturas altas. La exposición al fuego o a temperaturas por encima de los 212 °F (100 °C) puede causar una explosión.
- Esta central de energía no está diseñada para ser usada para cargar otros dispositivos electrónicos que no sean USB (hasta 2,1 amperios para cada puerto USB) o dispositivos de CA (hasta 2000 W continuos para 3 puertos de CA combinados). Cualquier otro uso puede causar que el sistema se apague o se dañe.
- Use la central de energía solo con los paquetes de baterías portátiles EGO de 56 V. El uso de cualquier otro paquete de batería puede generar el riesgo de que se produzcan lesiones o incendios.
- Esta central de energía no está diseñada para uso en instalaciones de reparación comercial.
- Para usar el cargador de la central de energía, siempre se deben respetar las medidas de precaución básicas, inclusive las siguientes:

- 1) **GUARDE ESTAS INSTRUCCIONES:** este manual contiene instrucciones de seguridad y funcionamiento importantes para el cargador de batería Modelos CH1700/CH1700-FC.
 - 2) Antes de usar el cargador de batería, lea todas las instrucciones y las marcas de precaución en el cargador de la batería, en la batería y en el producto que use la batería.
 - 3) **⚠ PRECAUCIÓN:** Para reducir el riesgo de lesiones, cargue solo las baterías EGO 56 V, máximo de 10000 mAh baterías de ion de litio recargables de tipo portátil. Es posible que otros tipos de batería exploten, causando lesiones personales y daños.
 - 4) Solo para uso en lugares secos.
 - 5) No exponer a la lluvia.
- No desarme la central de energía, llévela a un servicio técnico calificado cuando necesite mantenimiento o reparación. El ensamblado incorrecto puede provocar un riesgo de incendio o descarga eléctrica.
 - Asegúrese de que la central de energía o el cargador reciban mantenimiento de un técnico calificado que use únicamente piezas de repuesto idénticas. Esto mantendrá la seguridad de la central de energía.
 - Para reducir el riesgo de descarga eléctrica, desenchufe la central de energía del tomacorriente antes de intentar realizar cualquier tipo de servicio de mantenimiento.
 - Guarde estas instrucciones. Consúltelas periódicamente y utilícelas para instruir a otras personas que puedan utilizar esta herramienta. Si presta la herramienta a alguien más, préstele también estas instrucciones para prevenir el mal uso del producto y posibles lesiones.

GUARDE ESTAS INSTRUCCIONES

INTRODUCCIÓN

Felicitaciones por elegir una paquete de baterías iones de litio de 56 V de última generación. Está pensada, diseñada y fabricada para brindarle el mejor rendimiento y confiabilidad posibles.




En caso de que tuviera algún problema que no pudiera resolver fácilmente, comuníquese con el Centro de Servicio al Cliente de EGO al 1-855-EGO-5656.

Este manual contiene información importante para el ensamblaje, la operación y el mantenimiento seguro de su paquete de baterías. Léalo atentamente antes de usar la paquete de baterías. Mantenga este manual a mano para poder consultarlo en cualquier momento.

NÚMERO DE SERIE _____	FECHA DE COMPRA _____
--------------------------	--------------------------

DEBE ANOTAR EL NÚMERO DE SERIE Y LA FECHA DE COMPRA, Y CONSERVARLOS EN UN LUGAR SEGURO PARA CONSULTARLOS EN EL FUTURO. PLACE FOR FUTURE REFERENCE

ESPECIFICACIONES

Descarga	Voltaje de entrada	56V 
	Salida en USB	5V  Máx. 2,1 A (para cada puerto USB)
	Salida de CA	120V ~ 60Hz Máximo 2000 W, 3000 W (3 puertos de CA combinados)
Cargando	Entrada	120 V ~, 60 Hz, 170 W
	Salida	56V 
	Rango de temperatura de carga	5°C a 40°C (41°F a 104°F)
Rango de temperatura de operación	5 °F-104 °F (-15 °C-40 °C)	
Rango de temperatura de almacenaje	-4 °F-158 °F (-20 °C-70 °C)	
Peso (sin paquete de baterías)	30.2 lb (13.7 kg)	

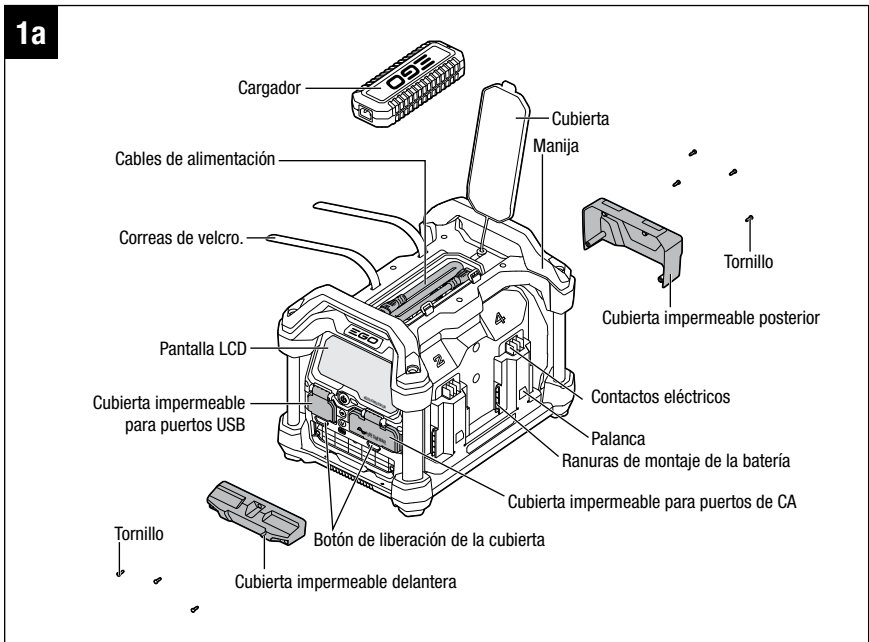
LISTA DE EMPAQUE

NOMBRE DE LA PIEZA	CANTIDAD
Central de energía	1
Cargador	1
Cable de alimentación	2
Cubierta impermeable delantera	1
Cubierta impermeable posterior	1
Tornillo	7
Manual del usuario	1

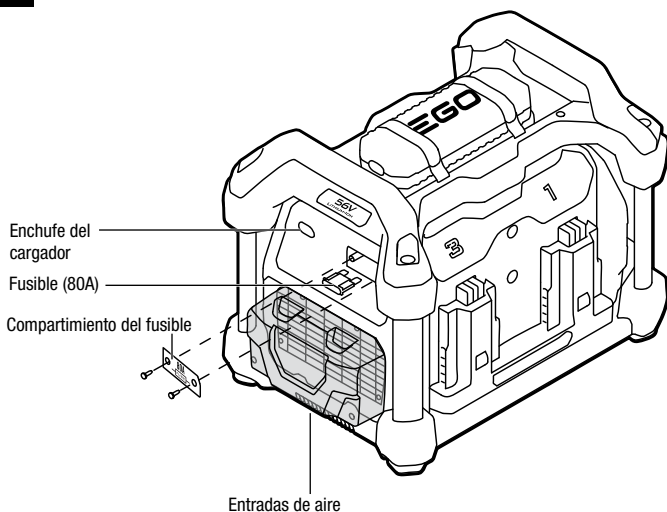
DESCRIPCIÓN

CONOZCA SU CENTRAL DE ENERGÍA (Fig. 1a, 1b, 1c)

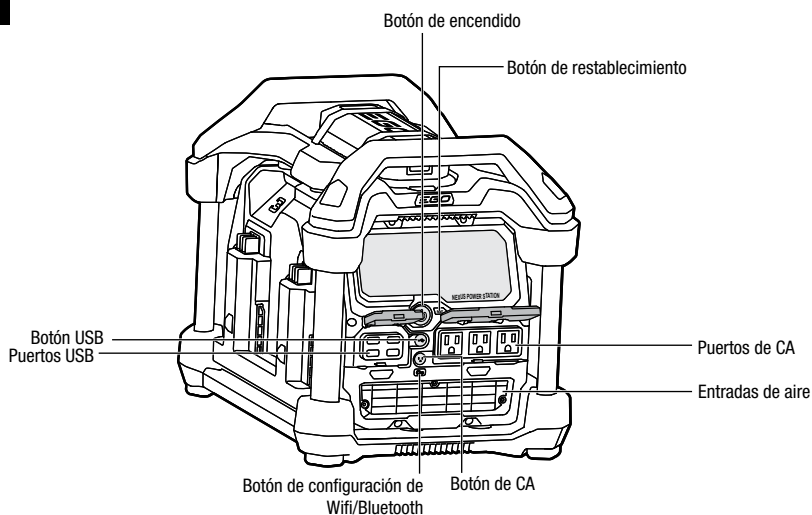
El uso seguro de este producto requiere la comprensión de la información impresa en la herramienta y en el Manual del usuario, así como ciertos conocimientos sobre el proyecto a realizar. Antes de usar este producto, familiarícese con todas las características de operación y normas de seguridad.



1b



1c



Cargador

La central de energía puede cargar hasta cuatro baterías portátiles EGO a través del cargador y los cables de alimentación provistos.

Manija

Para ayudar a levantar la central de energía.

Cover

Para sostener el cargador, así como también para guardar los cables de alimentación.

Velcro Straps

Para asegurar el cargador a la cubierta y para hacerlo más compacto para su comodidad.

Cables de alimentación

Existen dos cables de alimentación. Uno es para conectar el cargador a la central de energía, el otro es para conectar el cargador a la fuente de alimentación. La central de energía puede cargar baterías portátiles EGO una vez que se hayan realizado las conexiones.

Pantalla LCD

Para mostrar el estado de trabajo de la central de energía.

Cubierta impermeable delantera/posterior

Las cubiertas impermeables delanteras y traseras no están ensambladas para el envío. Vienen embaladas por separado en el paquete. Los usuarios pueden montarlas con los tornillos suministrados.

Palanca

Para ayudar a asegurar la batería al instalarla en la central de energía.

Charger Socket

Para conectar la central de energía al cargador con el cable de alimentación provisto.

Botón de encendido

Para encender o apagar la central de energía.

Botón de restablecimiento

Para restablecer la central de energía cuando esté sobrecargada.

Puertos de CA y USB

Para conectar con dispositivos de CA y USB. Hay 3 puertos de CA y 4 puertos USB.

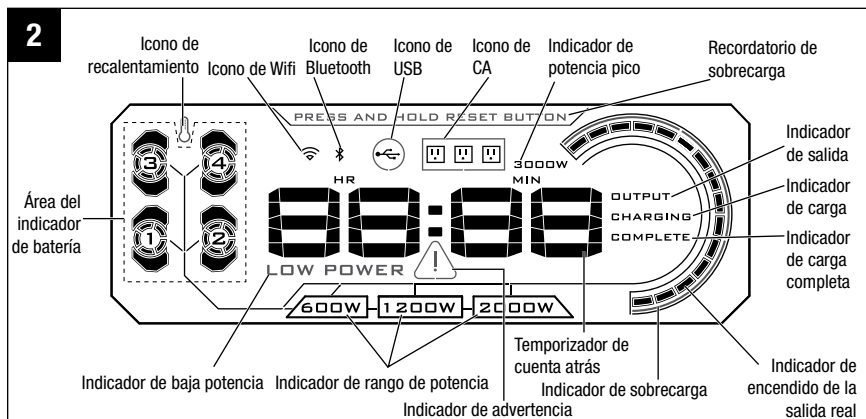
Botón de CA y USB

WiFi/Bluetooth Setting Button

Botón de configuración de WIFI / Bluetooth

Para configurar la conexión Wifi o Bluetooth e indicar el estado de la configuración.

CONOZCA LOS ICONOS Y LOS INDICADORES EN LA PANTALLA LCD (Fig. 2)



Indicador de salida

Se ilumina para mostrar que la central de energía está en proceso de descarga cuando el botón de CA o USB está encendido.

Indicador de carga

Se ilumina para mostrar que la central de energía está en proceso de carga.

Charge-complete Indicator

El indicador de carga completa, junto con el indicador de carga, se iluminan para indicar que la carga está completa.

Indicador de encendido de la salida real

Ilumina diferentes números de los segmentos para mostrar la potencia real de la salida cuando un dispositivo esté conectado al puerto de salida.


Indicador de potencia nominal (600 W, 1200 W, 2000 W)

La potencia nominal máxima de salida continua depende de las baterías conectadas a la central de energía Nexus.

Indicador de potencia máxima (3000 W)

Este indicador se iluminará, así como también todos los segmentos de la potencia de salida real, cuando la potencia de salida real sea mayor a 2000 W y menor a 3000 W por MENOS DE 3 segundos.

Overload Indicator

Este indicador está dividido en 3 segmentos. Cuando la potencia de salida real sea mayor a la potencia nominal, el segmento correspondiente se iluminará en rojo. El recordatorio de sobrecarga “MANTENGA PRESIONADO EL BOTÓN DE RESTABLECIMIENTO” y el indicador de advertencia “” se iluminarán en rojo al mismo tiempo. Retire el dispositivo y luego mantenga presionado el botón de restablecimiento para reactivar la central de energía.

Low-power Indicator

Se ilumina para mostrar que la carga disponible de batería es del 10 % o menos del rango total de carga de la batería durante la descarga. No se mostrará ningún tiempo disponible en la pantalla LCD y la central de energía detendrá la descarga cuando todas las baterías estén completamente descargadas.

Indicador de advertencia

Se ilumina cuando ocurra algún problema y la central de energía no pueda funcionar correctamente.

Área del indicador de batería

Cada indicador incluye tres aspectos:

- Las áreas poligonales superiores e inferiores indican el estado de la batería asociada.
- El indicador de potencia segmentado marcado con círculos indica la carga de batería restante.
- El número de batería indica la posición de la batería.

Over-heat Icon

Se ilumina cuando la central Nexus se sobrecalienta. El sistema se apagará.

WIFI Icon

Se ilumina cuando la central Nexus se conecta a una red Wifi.

Icono de bluetooth

Se ilumina cuando la central Nexus se conecta a un teléfono celular por medio de Bluetooth.

USB/AC Icon

Se ilumina para indicar que el puerto USB o de CA se ha encendido.

Temporizador de cuenta atrás

Este temporizador indica el tiempo restante del proceso de carga o descarga. Cuando la central Nexus deje de funcionar o esté en condiciones de baja potencia, no se mostrará ningún temporizador.

FUNCIONAMIENTO

⚠ ADVERTENCIA: no permita que la familiaridad con este producto lo vuelva descuidado. Recuerde que un descuido de una fracción de segundo es suficiente para ocasionar lesiones graves.

⚠ ADVERTENCIA: no use ningún aditamento ni accesorio que no haya sido recomendado por el fabricante de este producto. El uso de aditamentos o accesorios no recomendados puede provocar lesiones graves

⚠ ADVERTENCIA: No modifique ni intente reparar la central de energía Nexus salvo que esté indicado en las instrucciones de uso y cuidado.

⚠ PRECAUCIÓN: Este dispositivo no está diseñado para usarse en un local de reparaciones comerciales.

⚠ PRECAUCIÓN: El dispositivo se debe guardar en un lugar cerrado y protegido de los elementos. No cargue la unidad en el exterior. Al usar la unidad, se deben tener en cuenta las indicaciones para reducir la exposición a la lluvia, aguanieve, nieve, o semejante.

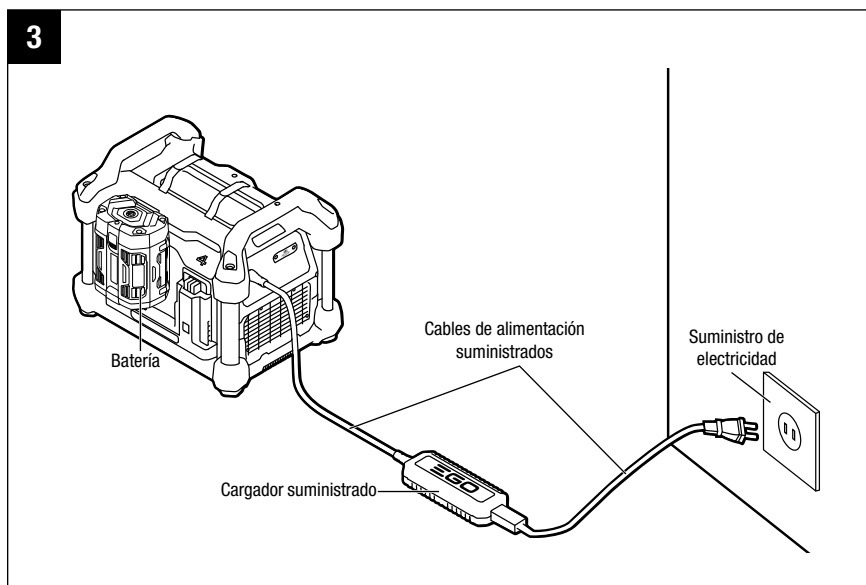
APLICACIÓN

Puede usar este producto para emergencias, campamentos o para cualquier ocasión en que necesite energía por periodos largos.

La central de energía Nexus cuenta con 4 puertos USB y 3 puertos de CA. Cada puerto USB puede suministrar una salida de CC de 5 V, hasta 2,1 Amp, para alimentar dispositivos USB como por ejemplo, teléfonos celulares, tabletas, etc. Los 3 puertos de CA combinados pueden suministrar una salida de CA de 120 V, 2000 W continuos (Máx. de 3000 W por menos de 3 segundos), para alimentar dispositivos de CA como por ejemplo, un refrigerador de tamaño normal, un TV, una computadora portátil, etc.

La central de energía Nexus está equipada con un cargador para cargar hasta cuatro baterías portátiles EGO.

CÓMO CARGAR BATERÍAS PORTÁTILES EGO (Fig. 3)



1. Conecte el cargador provisto entre la fuente de energía (120 V~, 60 Hz) y la central de energía Nexus con los dos cables de alimentación provistos. Verifique que las conexiones sean seguras y confiables.
2. Alinee las aletas elevadas del paquete de baterías con la ranura de montaje de la central de energía Nexus y deslice el paquete de baterías en el aparato. Asegúrese de que la batería esté sujeta firmemente al aparato Nexus.
3. La central de energía Nexus se comunicará con el paquete de baterías y comenzará a cargar la batería.
4. Los indicadores de carga en la pantalla LCD se iluminarán y el botón de encendido comenzará a titilar lentamente en color verde. La pantalla muestra el tiempo de carga restante en horas y minutos hasta que la batería esté completamente cargada. Cuando la carga esté completa, el indicador de carga completa también se iluminará y el botón de encendido se iluminará en verde sin titilar.

AVISO: Durante el proceso de carga, la pantalla LCD permanecerá en negro y no mostrará nada. Puede presionar cualquiera de los botones de encendido, USB, CA o restablecimiento o quitar la batería para reactivarla.

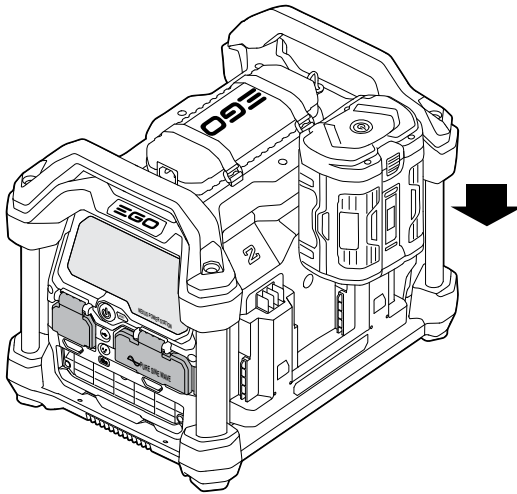
5. Durante el proceso de carga, las áreas poligonales superiores e inferiores en el área del indicador de batería correspondiente se iluminarán, el último segmento del indicador de potencia señalado con un círculo hará un destello y los otros segmentos se iluminarán de manera permanente. Si se colocan más de dos baterías en la central de energía, la carga se producirá de forma secuencial. Las áreas poligonales superiores e inferiores del símbolo asociado con cada batería que se va a cargar se iluminarán y el indicador de potencia informará la capacidad actual de la batería.

ALIMENTACIÓN DE LOS DISPOSITIVOS USB Y DE CA

AVISO: Para que el rendimiento sea óptimo, cargue todas las baterías EGO por completo antes de usarlas. La batería se debe cargar en un lugar donde la temperatura sea mayor a 41 °F (5 °C) y menor a 104 °F (40 °C).

1. Ubique las baterías de manera segura en cualquiera de las ranuras de montaje de baterías de la central de energía Nexus. La central Nexus puede funcionar con una sola batería, pero la salida de energía puede ser limitada.

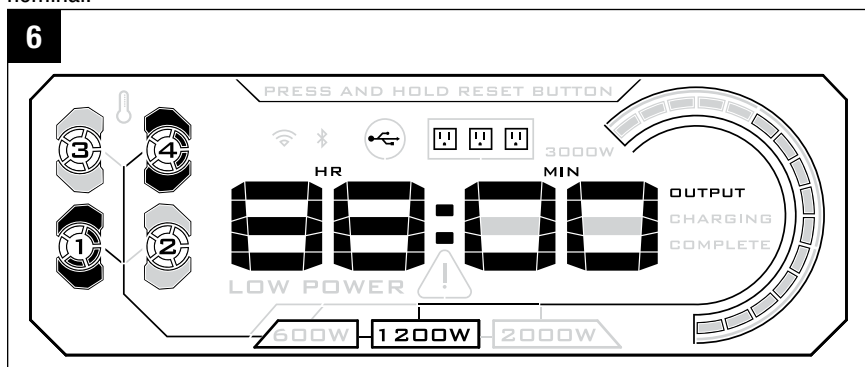
5



2. Presione el botón de la cubierta USB o de CA para abrir la cubierta correspondiente (Ver Fig. 1c). Conecte los dispositivos USB o de CA a cualquiera de los puertos de la central de energía Nexus.

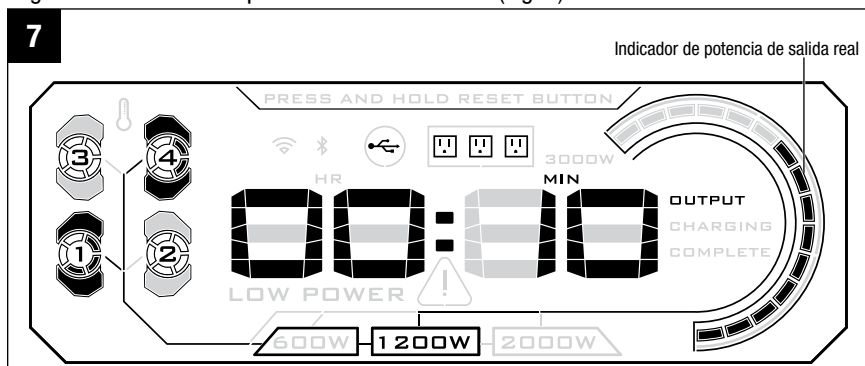
3. Presione el botón de encendido para encender la central de energía Nexus. La central de energía Nexus estará en modo de autoverificación y todos los indicadores de la pantalla LCD se iluminarán por menos de un segundo. Luego, la pantalla LCD volverá a la indicación normal.

Por ejemplo, 2 baterías BA1400T están colocadas en la posición 1 y 4. Tienen una capacidad de 70 % y 30 %, respectivamente. El rango máximo de la potencia de salida es de 1200 W. La pantalla LCD se verá tal como se muestra en la Fig. 6. El tiempo de “88 horas” indicado en la pantalla LCD se calcula automáticamente, según la potencia nominal.



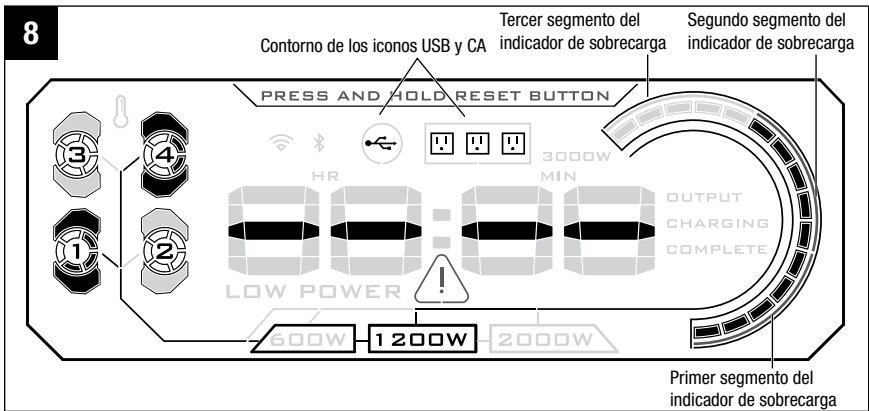
4. Presione el botón de USB o de CA (vea la Fig. 1c), según corresponda, para cargar los dispositivos USB o de CA. Cuando el dispositivo que está conectado está encendido, el tiempo que se indica en la pantalla cambiará y el indicador de potencia de salida real correspondiente iluminará ciertos segmentos según la potencia de salida actual.

Por ejemplo, para un dispositivo de 1000 W (dentro de 1200 W), el tiempo de funcionamiento disponible estimado es de 10 minutos y se iluminarán varios segmentos indicando la potencia de salida actual (Fig. 7).



ESTADO DE SOBRECARGA

Por ejemplo, para un dispositivo de 1400 W (por sobre la capacidad máxima de 1200 W), el tiempo de funcionamiento disponible se indicará como inválido y el indicador de sobrecarga correspondiente se iluminará en ROJO (Fig. 8). Al mismo tiempo, el recordatorio “**MANTENGA PRESIONADO EL BOTÓN DE RESTABLECIMIENTO**”, el indicador de advertencia “” y los contornos alrededor de los iconos USB y CA se iluminarán en rojo.



AVISO: El indicador de sobrecarga está dividido en 3 segmentos.


- El primer segmento se iluminará en rojo cuando la potencia nominal sea de 600 W y la potencia de salida real supere los 600 W.
- El primer y segundo segmento se iluminarán en rojo cuando la potencia nominal sea de 1200 W y la potencia de salida real supere los 1200 W.
- Los tres segmentos se iluminarán en rojo cuando la potencia nominal sea de 2000 W y la potencia de salida real supere la potencia nominal (2000 W continuos y máximo de 3000 W).

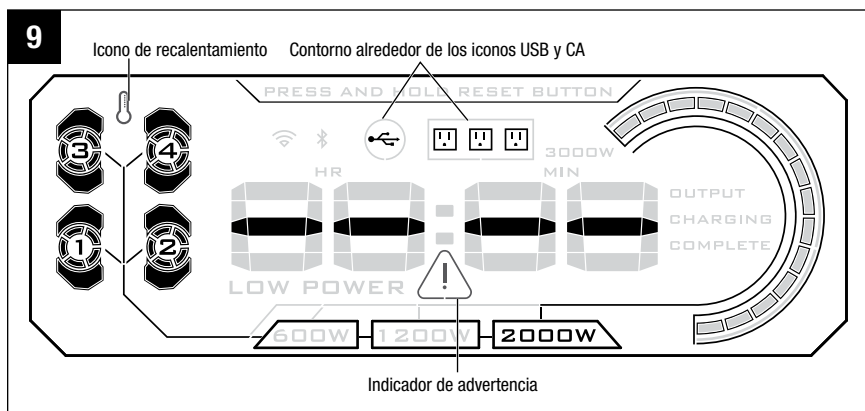
Si se produce una sobrecarga, retire todos los dispositivos y luego mantenga presionado el botón de restablecimiento para reactivar la central de energía Nexus.

ESTADO DE RECALENTAMIENTO

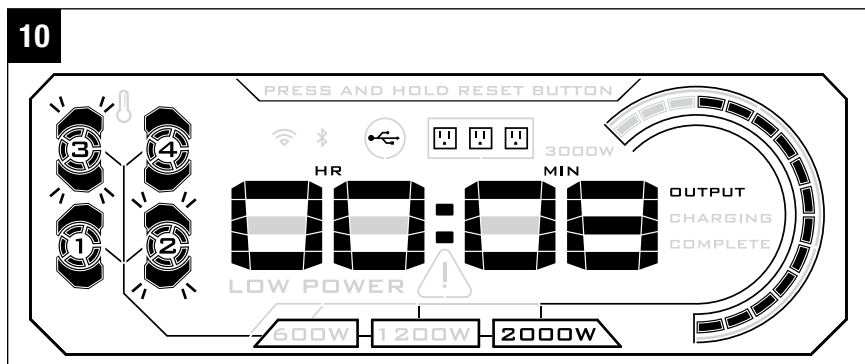
Cuando la central de energía Nexus se recaliente, el icono de recalentamiento se iluminará en rojo.

Por ejemplo, si hay 4 baterías colocadas en la central de energía Nexus, la potencia nominal es de 2000 W.

- Cuando la central de energía Nexus se sobrecaliente, el icono de sobrecalentamiento, el indicador de advertencia “” y el contorno alrededor de los iconos de USB y CA se iluminará en rojo y el tiempo de funcionamiento disponible aparecerá como no válido (Fig. 9). **La central de energía Nexus detendrá al descarga.**



- Si menos de cuatro baterías instaladas se sobrecalientan, solo las áreas poligonales superiores e inferiores del indicador de baterías sobrecalentadas destellarán (Fig. 9), mientras que los demás indicadores de baterías brillarán con normalidad. **La central de energía Nexus podrá descargar con normalidad.**



- Si ocurre un sobrecalentamiento, retire la batería de la central de energía Nexus y llévela a un lugar fresco para que se enfríe por completo.
- 5. Luego de la descarga, desconecte los dispositivos de la central de energía Nexus, presione el botón USB o CA para frenar la salida y al final cierre la cubierta correspondiente.
- 6. Presione el botón de encendido para apagar la central de energía Nexus.

AVISO:

- No cargue las baterías portátiles EGO y encienda los dispositivos USB o de CA al mismo tiempo. Solo se puede realizar una función a la vez.
- No inserte el enchufe del cargador provisto en el puerto de CA.
- Si los dispositivos USB conectados a la central de energía Nexus requieren más potencia de salida de lo normal (Máx. 2,1 A para cada puerto de CD), la salida de cada puerto se mantendrá a una corriente de 2,1 A.
- Si la batería no funciona normalmente por cualquier otra razón que no sea el sobrecalentamiento, el indicador de batería no registrará la batería. Intente volver a colocar la batería.
- Cuando se retira la central eléctrica Nexus de la temperatura más baja a la temperatura ambiente para un arranque inmediato, puede haber algo de vapor de agua en su interior, lo que resulta en una pantalla LCD incompleta. Solo espere hasta que el vapor de agua desaparezca completamente, la pantalla LCD volverá a la normalidad.

⚠ ADVERTENCIA: No introduzca clavos, cables, etc. dentro del puerto de suministro USB. De lo contrario, un cortocircuito puede causar humo o un incendio.

⚠ ADVERTENCIA: No introduzca clavos, cables, etc. dentro del puerto de suministro de CA o se puede producir una descarga eléctrica.

⚠ ADVERTENCIA: No conecte ninguno de los puertos de CA a enchufes de CA en las paredes de su hogar, de lo contrario, se puede producir una descarga eléctrica o daños graves.

EGO CONNECT

Esta central de energía Nexus puede funcionar con teléfonos IOS y Android y ofrece una variedad de funciones relacionadas en EGO CONNECT.

1. Diríjase a Apple Store (para teléfonos IOS) o a Google Play (para teléfonos Android), busque y descargue la aplicación “**EGO Power+**” para instalarla.
2. Siga las instrucciones de la aplicación para crear una cuenta antes de usarla. También se puede registrar directamente usando su cuenta ya existente de EGO powerplus.com.

Aviso: La aplicación EGO Power + funciona con Android versión 5.0 y superior y con IOS 11 y superior.

CONEXIÓN Bluetooth

Asegúrese de que la función Bluetooth de su teléfono esté encendida y de que la central Nexus esté cerca. Le sugerimos que tenga el aparato Nexus agregado a MY GARAGE en la aplicación EGO Power+ antes de iniciar la conexión.

1. Encienda la central de energía Nexus.
2. Diríjase a EGO CONNECT en la aplicación EGO Power +. La aplicación buscará automáticamente una conexión con algún aparato Nexus que esté cerca.
3. Seleccione el aparato Nexus que desee conectar y luego siga las instrucciones de la aplicación para completar la conexión.
4. Luego de conectarse exitosamente, siga las instrucciones de la aplicación para comenzar con la configuración remota.

CONEXIÓN WIFI REMOTA

La central Nexus está habilitada para Wifi y puede soportar un acceso remoto para la aplicación EGO Power +. Antes de poder acceder a la central Nexus remotamente, debe agregarla a la red Wifi del hogar:

1. Asegúrese de que la central Nexus esté cerca, encendida y de que el teléfono celular esté conectado a la red Wifi a la que desea agregar el aparato.
2. Add Nexus to MY GARAGE before connecting it to WIFI.

3. You can initiate the Nexus WIFI connection after adding Nexus to MY GARAGE or go to the EGO CONNECT Nexus page and select the WIFI icon above the page. The App will lead you through the following processes.

AVISO: Las redes de Wifi públicas o de una compañía pueden tener contrafuegos que bloqueen el acceso a Wifi de Nexus.

MANTENIMIENTO

⚠ ADVERTENCIA: Para evitar lesiones personales graves, siempre apague el aparato y retire el paquete de baterías cuando realice la limpieza o cualquier tipo de mantenimiento.

⚠ ADVERTENCIA: Cuando realice el mantenimiento, solo utilice piezas de repuesto de EGO idénticas. El uso de cualquier otra pieza puede crear un peligro o causar daños en el producto. Para garantizar la seguridad y fiabilidad, un técnico calificado debe realizar todas las reparaciones.

MANTENIMIENTO GENERAL

Evite utilizar solventes para limpiar las piezas de plástico. La mayoría de los plásticos tienden a dañarse con los distintos tipos de solventes comerciales. Utilice un paño limpio para eliminar la suciedad, el polvo, el aceite, la grasa, etc.

⚠ ADVERTENCIA: No permita en ningún momento que las partes plásticas entren en contacto con líquidos de freno, gasolina, productos a base de petróleo, aceites penetrantes, etc. Los químicos pueden dañar, debilitar o destruir el plástico, lo que puede resultar en lesiones personales graves.

TRASLADO DE LA UNIDAD

⚠ PRECAUCIÓN: Observe los procedimientos de levantamiento al trasladar la unidad para mantener la seguridad.

Antes de trasladar la central de energía Nexus, tenga presente que debe:

1. Desconectar todas las cargas.
2. Apagar la central de energía Nexus.
3. Levantar la central de energía Nexus tomando las manijas laterales con ambas manos (una mano en cada manija).

ALMACENAMIENTO DE LA UNIDAD

- Apague la central de energía Nexus.
- Limpie bien la herramienta antes de almacenarla.
- Limpie bien la herramienta antes de almacenarla. chemicals. Do not store or left it outdoors when not in use.

SOLUCIÓN DE PROBLEMAS

PROBLEMA	CAUSA	SOLUCIÓN
La central de energía Nexus no puede cargar baterías portátiles EGO al usar el cargador provisto. No se visualiza el indicador de batería.	<ul style="list-style-type: none">■ La conexión entre la central de energía Nexus y el cargador es mala.■ La batería no está colocada de manera correcta.	<ul style="list-style-type: none">■ Reconecte el cargador con la central de energía Nexus.■ Quite la batería y vuelva a instalarla.
El icono de recalentamiento en la pantalla LCD se ilumina en rojo.	<ul style="list-style-type: none">■ La central de energía Nexus está demasiado caliente.	<ul style="list-style-type: none">■ Apague y enfríe la central de energía Nexus por completo hasta que los puertos de CA funcionen.
El indicador de batería en la pantalla LCD parpadea. La central de energía Nexus puede funcionar con normalidad.	<ul style="list-style-type: none">■ La batería está demasiado caliente.	<ul style="list-style-type: none">■ Retire la batería de la central de energía Nexus. Enfríela hasta que la temperatura descienda por debajo de los 152 °F (67 °C).
Durante la carga, puede que note que la carga alterna entre las baterías.	<ul style="list-style-type: none">■ Esto está diseñado para proporcionar un rendimiento óptimo de salida, que la batería de carga más baja se cargará primero para que todas las baterías tengan una carga similar cuando empiecen a descargarse juntas.	<ul style="list-style-type: none">■ N/C

PROBLEMA	CAUSA	SOLUCIÓN
<p>La central de energía Nexus detiene la descarga.</p>	<ul style="list-style-type: none"> ■ El fusible está sobrecargado. ■ La central de energía Nexus está en estado de sobrecarga. ■ La central de energía Nexus está en estado de recalentamiento. ■ La batería tiene bajo voltaje, menor al 10 % de la carga total. 	<ul style="list-style-type: none"> ■ Reemplace el fusible por uno nuevo por un técnico de servicio calificado. El fusible idéntico es de 80 amperios, ilustrado como se muestra en la Fig. 1b. ■ Retire el dispositivo y luego mantenga presionado el botón de restablecimiento para reactivar la central de energía Nexus. ■ Retire la batería de la central de energía Nexus y lleve el aparato a un lugar fresco para que se enfríe completamente. ■ Cargue la batería.
<p>Durante la descarga, las baterías de la generación anterior destellan en rojo, verde o anaranjado, mientras que las baterías de la nueva generación se iluminan en verde sin titilar.</p>	<ul style="list-style-type: none"> ■ This is normal and does not impact the functionality and performance of the Nexus power station. Different generations of EGO batteries will have different displays. 	<ul style="list-style-type: none"> ■ N/C

GARANTÍA

POLÍTICA DE GARANTÍA

Garantía limitada de 5 años en equipos de energía para exteriores y energía portátil EGO POWER+ para uso doméstico personal.

Garantía limitada de 3 años en paquetes de baterías y cargadores con el Sistema EGO POWER+ para uso doméstico personal.

Garantía limitada de 2 años/1 año en equipos de energía para exteriores, energía portátil, paquetes de baterías y cargadores EGO para uso profesional y comercial.

Los períodos de garantía detallados por productos se pueden encontrar en línea en <http://egopowerplus.com/pages/warranty-policy>.

Póngase en contacto con Servicio al Cliente de EGO de manera gratuita al 1-855-EGO-5656, cuando tenga preguntas o reclamaciones de garantía.

GARANTÍA LIMITADA DE SERVICIO

Los productos EGO están garantizados contra defectos de material o de fabricación a partir de la fecha de compra original al por menor durante el período de garantía aplicable. El producto defectuoso será reparado gratuitamente.

- a) Esta garantía se aplica solo al comprador original del distribuidor minorista autorizado de EGO y podría no ser transferible. Los distribuidores minoristas autorizados de EGO se identifican en línea, en <http://egopowerplus.com/pages/warranty-policy>.
- b) El período de garantía para productos reacondicionados o certificados de fábrica que se utilizan para fines residenciales es de 1 año, para fines industriales, profesionales o comerciales es de 90 días.
- c) El período de garantía para piezas del mantenimiento de rutina, incluidas, entre otras, cuchillas, cabezales de orilladoras, listones de cadenas, cadenas de motosierras, correas, barras raspadoras, boquillas de sopladores y todos los demás accesorios EGO, es de 90 días con fines residenciales y de 30 días para propósitos industriales, profesionales o comerciales. Estas piezas tienen cobertura durante 90/30 días por defectos de fabricación en condiciones normales de trabajo.
- d) Esta garantía queda nula si el producto se ha puesto en alquiler.

- e) Esta garantía no cubre daños producto de modificaciones, alteraciones o reparaciones no autorizadas.
- f) Esta garantía solo cubre defectos que surjan del uso normal y no cubre el mal funcionamiento, las fallas ni los defectos que resulten del mal uso, el abuso (que incluye la sobrecarga del producto más allá de su capacidad y sumergirlo en agua o en cualquier otro líquido), accidentes, negligencia o falta de instalación adecuada y mantenimiento o almacenamiento inadecuados.
- g) Esta garantía no cubre el deterioro normal del acabado exterior, incluidos, entre otros, rayones, abolladuras, trozos de pintura o cualquier corrosión o decoloración producida por el calor o limpiadores químicos y abrasivos.

CÓMO OBTENER EL SERVICIO

Para obtener el servicio de garantía, póngase en contacto con Servicio al Cliente de EGO de manera gratuita al **1-855-EGO-5656**. Cuando pida un servicio cubierto por la garantía, debe presentar el recibo con la fecha original de venta. Un centro de servicio autorizado será seleccionado para reparar el producto de acuerdo con los términos establecidos en la garantía. Cuando lleve el producto al centro de servicio autorizado, es posible que deba hacer un pequeño depósito cuando deje la herramienta. Este depósito se reembolsará cuando se considere que el servicio de reparación se haya cubierto con la garantía.

LIMITACIONES ADICIONALES

En la medida en que la ley aplicable lo permita, se deniegan todas las garantías implícitas, inclusive las garantías de COMERCIALIZADIDAD o IDONEIDAD PARA UN PROPÓSITO ESPECÍFICO. Todas las garantías implícitas, inclusive las garantías de comerciabilidad o idoneidad para un propósito específico, que no se puedan denegar bajo la ley estatal, están limitadas al período de garantía aplicable definido al comienzo de este artículo.

Chervon North America no se hará responsable por daños directos, indirectos, accidentales o resultantes.

Algunos estados no permiten limitaciones con respecto a la duración de una garantía implícita y/o no permiten la exclusión o limitación de daños accidentales o resultantes, de modo que las limitaciones antes descritas podrían no aplicarse en su caso.

Esta garantía le otorga derechos legales específicos, pero podría tener también otros derechos que varían según el estado.



Para obtener el servicio al cliente, póngase en contacto con nosotros de manera gratuita al: **1-855-EGO-5656** o visite: **EGOPOWERPLUS.COM**
EGO Customer Service, 769 SEWARD AVE NW / Suite 102 Grand Rapids, MI 49504

