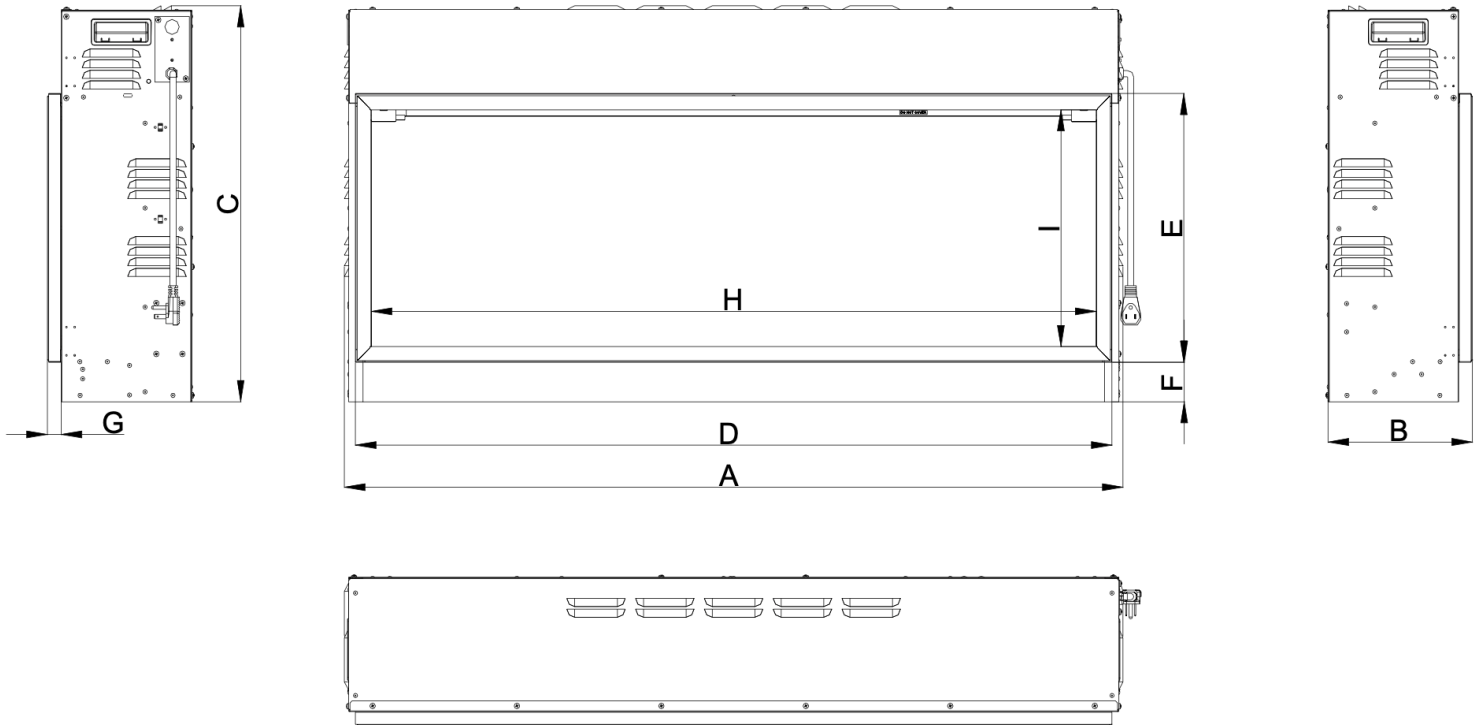


Harmony 80" Electric Fireplace

Specifications Sheet



Model	Length	Height	Depth	Viewing Area	BTU	Cord Length
DY-BEF80	2032 mm	560 mm	219 mm	1954 mm x 335 mm	5000	1829 mm
	80 in.	22 in.	8¼ in.	77 in. x 13¼ in.		72 in.



	A*	B	C*	D	E	F	G	H	I
DY-BEF80	2032 mm	219 mm	560 mm	1156 mm	435 mm	57 mm	32 mm	1954 mm	335 mm
	80 in.	8½ in.	22 in.	78¾ in.	17⅞ in.	2¼ in.	1¼ in.	77 in.	13¼ in.

*A & C includes louver projections

Electrical Specifications

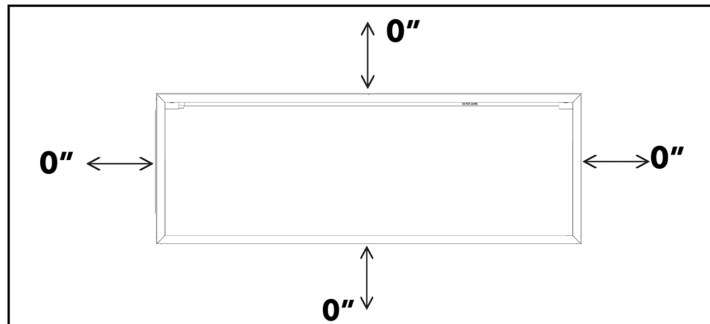
Model	Circuit	Max Power Consumption	Lighting Only	Standby	Outlet	Certification
DY-BEF80	15A, 120V / 60Hz	1500 W	45 W	1.5 W	<ul style="list-style-type: none"> • Standard (type B) • Hardwire ready 	CSA

Harmony 80" Electric Fireplace

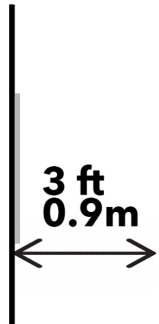
Specifications Sheet



Clearances



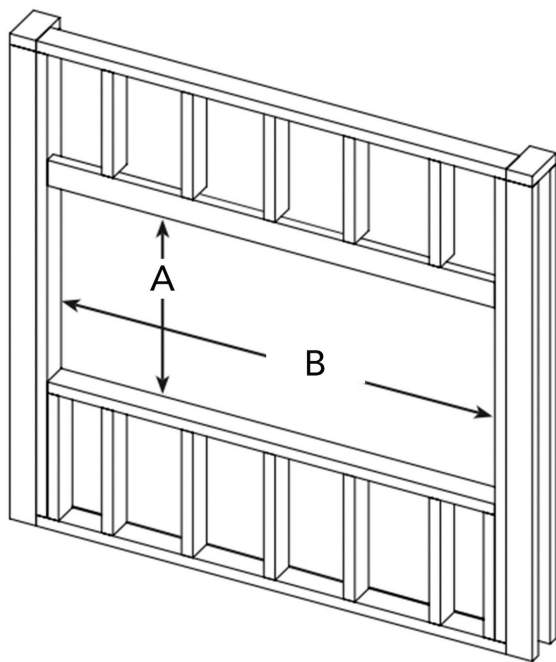
Front View



Side View

Minimum Clearances to Combustibles	
Top	0"
Sides	0"
Back	0"
Bottom	0"
Front	36" / 0.9m

Framing



Framing Dimensions	
A	22½ in.
	570 mm
B	81 in.
	2058 mm
Depth	8 in.
	204 mm

Product installation must adhere strictly to instructions accompanying product to avoid risk of fire and potential injury



Dynasty Fireplaces, Ltd.
 10-3071 No. 5 Road, Richmond, BC V6X 2T4 Canada
 +1 877-521-1009 | 604-821-1009 |
 support@dynastyfireplaces.com | dynastyfireplaces.com

