



OPERATOR'S MANUAL

MANUEL D'UTILISATION MANUAL DEL OPERADOR

40 VOLT CHAIN SAW

SCIE À CHAÎNE 40 V MOTOSIERRA DE 40 V

RY40503

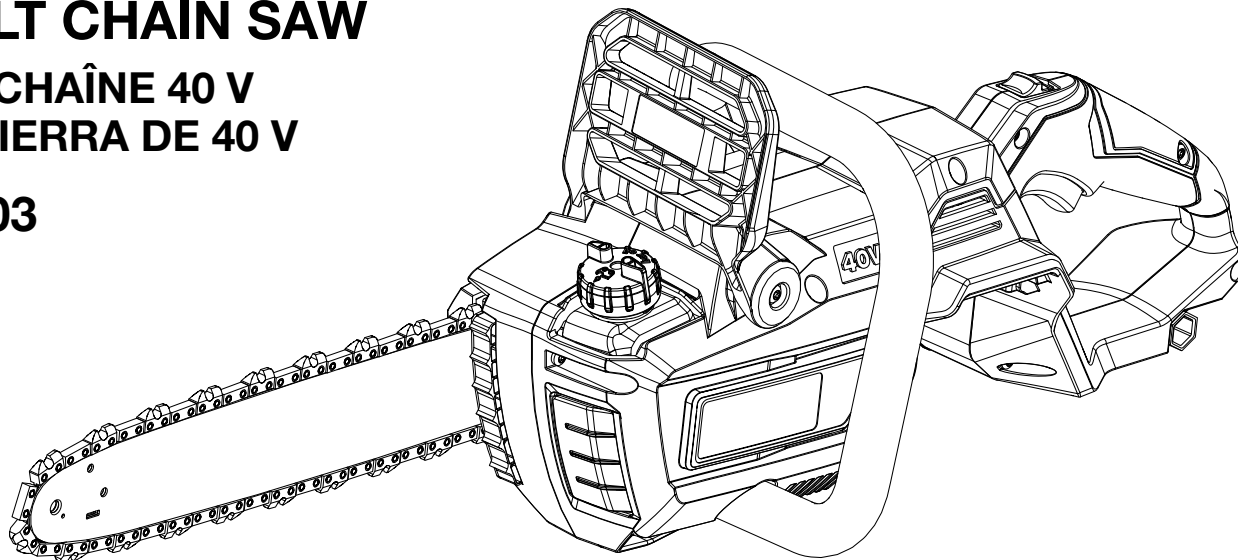


TABLE OF CONTENTS

- General Power Tool Safety Warnings 2-3
- Chain Saw Safety Warnings..... 4-7
- Symbols 8-9
- Glossary of Terms 10
- Features 11-12
- Assembly 12-13
- Operation 13-22
- Maintenance 22-28
- Bar and Chain Combinations.....29
- Troubleshooting29
- Parts Ordering/Service..... Back Page

TABLE DES MATIÈRES

- Avertissements règles de sécurité relatives aux outils électriques 2-4
- Avertissements de sécurité relatifs au scie à chaîne..... 4-8
- Symboles 9-10
- Glossaire 11
- Caractéristiques 12-13
- Assemblage 13-14
- Utilisation 14-23
- Entretien 24-30
- Combinaisons de guide et chaîne31
- Dépannage.....31
- Commande de pièces/ réparation Page arrière

ÍNDICE DE CONTENIDO

- Advertencias de seguridad para herramientas eléctricas..... 2-4
- Advertencias de seguridad de la motosierra 4-8
- Símbolos 9-10
- Glosario de términos..... 11
- Características 12-13
- Armado 13-14
- Funcionamiento 14-24
- Mantenimiento 24-31
- Combinaciones de barra y cadena...32
- Corrección de problemas32
- Pedidos de piezas/ servicio Pág. posterior

⚠ WARNING: To reduce the risk of injury, the user must read and understand the operator's manual before using this product.

⚠ AVERTISSEMENT : Pour réduire les risques de blessures, l'utilisateur doit lire et veiller à bien comprendre le manuel d'utilisation avant d'employer ce produit.

⚠ ADVERTENCIA: Para reducir el riesgo de lesiones, el usuario debe leer y comprender el manual del operador antes de usar este producto.

SAVE THIS MANUAL FOR FUTURE REFERENCE

CONSERVER CE MANUEL POUR FUTURE RÉFÉRENCE

GUARDE ESTE MANUAL PARA FUTURAS CONSULTAS

GENERAL POWER TOOL SAFETY RULES



WARNING

Read all safety warnings and all instructions.

Failure to follow the warnings and instructions may result in electric shock, fire and/or serious injury.

Save all warnings and instructions for future reference. The term “power tool” in the warnings refers to your mains-operated (corded) power tool or battery-operated (cordless) power tool.

WORK AREA SAFETY

- **Keep work area clean and well lit.** Cluttered or dark areas invite accidents.
- **Do not operate power tools in explosive atmospheres, such as in the presence of flammable liquids, gases or dust.** Power tools create sparks which may ignite the dust or fumes.
- **Keep children and bystanders away while operating a power tool.** Distractions can cause you to lose control.

ELECTRICAL SAFETY

- **Power tool plugs must match the outlet. Never modify the plug in any way. Do not use any adapter plugs with earthed (grounded) power tools.** Unmodified plugs and matching outlets will reduce risk of electric shock.
- **Avoid body contact with earthed or grounded surfaces such as pipes, radiators, ranges and refrigerators.** There is an increased risk of electric shock if your body is earthed or grounded.
- **Do not expose power tools to rain or wet conditions.** Water entering a power tool will increase the risk of electric shock.
- **Do not abuse the cord. Never use the cord for carrying, pulling or unplugging the power tool. Keep cord away from heat, oil, sharp edges or moving parts.** Damaged or entangled cords increase the risk of electric shock.
- **When operating a power tool outdoors, use an extension cord suitable for outdoor use.** Use of a cord suitable for outdoor use reduces the risk of electric shock.

- **If operating a power tool in a damp location is unavoidable, use a ground fault circuit interrupter (GFCI) protected supply.** Use of a GFCI reduces the risk of electric shock.

PERSONAL SAFETY

- **Stay alert, watch what you are doing and use common sense when operating a power tool. Do not use a power tool while you are tired or under the influence of drugs, alcohol or medication.** A moment of inattention while operating power tools may result in serious personal injury.
- **Use personal protective equipment. Always wear eye protection.** Protective equipment such as dust mask, non-skid safety shoes, hard hat, or hearing protection used for appropriate conditions will reduce personal injuries.
- **Prevent unintentional starting. Ensure the switch is in the off-position before connecting to power source and/or battery pack, picking up or carrying the tool.** Carrying power tools with your finger on the switch or energising power tools that have the switch on invites accidents.
- **Remove any adjusting key or wrench before turning the power tool on.** A wrench or a key left attached to a rotating part of the power tool may result in personal injury.
- **Do not overreach. Keep proper footing and balance at all times.** This enables better control of the power tool in unexpected situations.
- **Dress properly. Do not wear loose clothing or jewellery. Keep your hair, clothing and gloves away from moving parts.** Loose clothes, jewellery or long hair can be caught in moving parts.
- **If devices are provided for the connection of dust extraction and collection facilities, ensure these are connected and properly used.** Use of dust collection can reduce dust-related hazards.

POWER TOOL USE AND CARE

- **Do not force the power tool. Use the correct power tool for your application.** The correct power tool will do the job better and safer at the rate for which it was designed.

GENERAL POWER TOOL SAFETY RULES

- **Do not use the power tool if the switch does not turn it on and off.** Any power tool that cannot be controlled with the switch is dangerous and must be repaired.
- **Disconnect the plug from the power source and/or the battery pack from the power tool before making any adjustments, changing accessories, or storing power tools.** Such preventive safety measures reduce the risk of starting the power tool accidentally.
- **Store idle power tools out of the reach of children and do not allow persons unfamiliar with the power tool or these instructions to operate the power tool.** Power tools are dangerous in the hands of untrained users.
- **Maintain power tools. Check for misalignment or binding of moving parts, breakage of parts and any other condition that may affect the power tool's operation. If damaged, have the power tool repaired before use.** Many accidents are caused by poorly maintained power tools.
- **Keep cutting tools sharp and clean.** Properly maintained cutting tools with sharp cutting edges are less likely to bind and are easier to control.
- **Use the power tool, accessories and tool bits etc. in accordance with these instructions, taking into account the working conditions and the work to be performed.** Use of the power tool for operations different from those intended could result in a hazardous situation.
- **When battery pack is not in use, keep it away from other metal objects, like paper clips, coins, keys, nails, screws or other small metal objects, that can make a connection from one terminal to another.** Shorting the battery terminals together may cause burns or a fire.
- **Under abusive conditions, liquid may be ejected from the battery; avoid contact. If contact accidentally occurs, flush with water. If liquid contacts eyes, additionally seek medical help.** Liquid ejected from the battery may cause irritation or burns.
- Stop the motor, wait until all moving parts come to a complete stop, and remove the battery pack before cleaning or performing any maintenance.
- **Never use water or any liquids to clean or rinse off your product and do not expose the product to rain or wet conditions. Store indoors in a dry area.** Corrosive liquids, water, and chemicals can enter the product's electronic components and/or battery compartment and damage electronic components and/or the battery pack, which can result in a short circuit, increased risk of fire, and serious personal injury. Remove any buildup of dirt and debris by wiping the product clean with a dry cloth occasionally.

BATTERY TOOL USE AND CARE

- **Recharge only with the charger specified by the manufacturer.** A charger that is suitable for one type of battery pack may create a risk of fire when used with another battery pack.
- **Use power tools only with specifically designated battery packs.** Use of any other battery packs may create a risk of injury and fire.

SERVICE

- **Have your power tool serviced by a qualified repair person using only identical replacement parts.** This will ensure that the safety of the power tool is maintained.
- **When servicing a power tool, use only identical replacement parts. Follow instructions in the Maintenance section of this manual.** Use of unauthorized parts or failure to follow Maintenance instructions may create a risk of shock or injury.

CHAIN SAW SAFETY WARNINGS

- **Keep all parts of the body away from the saw chain when the chain saw is operating. Before you start the chain saw, make sure the saw chain is not contacting anything.** A moment of inattention while operating chain saws may cause entanglement of your clothing or body with the saw chain.
- **Always hold the chain saw with your right hand on the rear handle and your left hand on the front handle.** Holding the chain saw with a reversed hand configuration increases the risk of personal injury and should never be done.
- **Hold the power tool by insulated gripping surfaces only, because the saw chain may contact hidden wiring.** Saw chains contacting a “live” wire may make exposed metal parts of the power tool “live” and could give the operator an electric shock.
- **Wear safety glasses and hearing protection. Further protective equipment for head, hands, legs and feet is recommended.** Adequate protective clothing will reduce personal injury by flying debris or accidental contact with the saw chain.
- **Do not operate a chain saw in a tree.** Operation of a chain saw while up in a tree may result in personal injury.
- **Always keep proper footing and operate the chain saw only when standing on fixed, secure and level surface.** Slippery or unstable surfaces such as ladders may cause a loss of balance or control of the chain saw.
- **When cutting a limb that is under tension be alert for spring back.** When the tension in the wood fibres is released the spring loaded limb may strike the operator and/or throw the chain saw out of control.
- **Use extreme caution when cutting brush and saplings.** The slender material may catch the saw chain and be whipped toward you or pull you off balance.
- **Carry the chain saw by the front handle with the chain saw switched off and away from your body. When transporting or storing the chain saw always fit the guide bar cover.** Proper handling of the chain saw will reduce the likelihood of accidental contact with the moving saw chain.
- **Follow instructions for lubricating, chain tensioning and changing accessories.** Improperly tensioned or lubricated chain may either break or increase the chance for kickback.
- **Keep handles dry, clean, and free from oil and grease.** Greasy, oily handles are slippery causing loss of control.
- **Cut wood only. Do not use chain saw for purposes not intended. For example: do not use chain saw for cutting plastic, masonry or non-wood building materials.** Use of the chain saw for operations different than intended could result in a hazardous situation.

CAUSES AND OPERATOR PREVENTION OF KICKBACK

Kickback may occur when the nose or tip of the guide bar touches an object, or when the wood closes in and pinches the saw chain in the cut.

Tip contact in some cases may cause a sudden reverse reaction, kicking the guide bar up and back towards the operator.

Pinching the saw chain along the top of the guide bar may push the guide bar rapidly back towards the operator.

Either of these reactions may cause you to lose control of the saw which could result in serious personal injury. Do not rely exclusively upon the safety devices built into your saw. As a chain saw user, you should take several steps to keep your cutting jobs free from accident or injury.

Kickback is the result of tool misuse and/or incorrect operating procedures or conditions and can be avoided by taking proper precautions as given below:

- **Maintain a firm grip, with thumbs and fingers encircling the chain saw handles, with both hands on the saw and position your body and arm to allow you to resist kickback forces.** Kickback forces can be controlled by the operator, if proper precautions are taken. Do not let go of the chain saw.
- **Do not overreach and do not cut above chest height.** This helps prevent unintended tip contact and enables better control of the chain saw in unexpected situations.
- **Only use replacement bars and chains specified by the manufacturer.** Incorrect

CHAIN SAW SAFETY WARNINGS

replacement bars and chains may cause chain breakage and/or kickback.

■ **Follow the manufacturer's sharpening and maintenance instructions for the saw chain.**

Decreasing the depth gauge height can lead to increased kickback.

■ Do not start cutting until you have a clear work area, secure footing, and a planned retreat path from the falling tree. Cluttered areas invite accidents.

■ Keep ALL children, bystanders, visitors, and animals out of the work area while starting or cutting with the chain saw. Do not let visitors contact chain saw or extension cord.

■ Do not operate chain saw in explosive atmospheres, such as in the presence of flammable liquids, gases, or dust. Chain saws create sparks which may ignite the dust or fumes.

■ Dress Properly – Wear snug fitting clothing. Always wear heavy, long pants, long sleeves, overalls, jeans or chaps made of cut resistant material or ones that contain cut resistant inserts. Wear non-slip safety footwear. Wear non-slip heavy duty gloves to improve your grip and to protect your hands. Do not wear jewelry, short pants, sandals, or go barefoot. Do not wear loose fitting clothing, which could be drawn into the motor or catch the chain or underbrush. Secure hair so it is above shoulder level. Wear hearing and head protection.

■ Heavy protective clothing may increase operator fatigue, which could lead to heat stroke. During weather that is hot and humid, heavy work should be scheduled for early morning or late afternoon hours when temperatures are cooler.

■ Always wear eye protection with side shields marked to comply with ANSI Z87.1 as well as head and hearing protection when operating this equipment.

■ Always be aware of what you are doing when using the chain saw. Use common sense. Do not operate the chain saw when you are tired, ill, or under the influence of alcohol, drugs, or medication.

■ Do not expose the chain saw to rain.

■ Do not use the chain saw in damp or wet locations.

■ Stay alert and pay attention to what you are doing. Use common sense when using this unit.

■ Keep all parts of your body away from the saw chain when the unit is running.

■ Never let anyone use your chain saw who has not received adequate instructions in its proper use. This applies to rentals as well as privately owned saws.

■ Before you start the unit, make sure the saw chain is not contacting any object.

■ Stop the chain saw before setting it down.

■ To avoid accidental starting, never carry the unit with your finger on the switch trigger.

■ Maintain the unit with care. Keep the cutting edge sharp and clean for best performance and to reduce the risk of injury. Follow instructions for lubricating and changing accessories.

■ Do not operate a chain saw with one hand! Use a firm grip with thumbs and fingers encircling the chain saw handles. Serious injury to the operator, helpers, bystanders, or any combination of these persons may result from one-handed operation. A chain saw is intended for two-handed use.

■ Guard against electric shock – Avoid body contact with grounded surfaces such as metal pipes and wire fences. There is an increased risk of electric shock if your body is grounded.

■ Do not operate a chain saw that is damaged, improperly adjusted, or not completely and securely assembled. Chain should slow to a stop when the switch trigger is released. If the chain continues to turn after the switch trigger has been released, have the unit serviced by an authorized service center.

■ Check for damaged parts. Check for alignment of moving parts, binding of moving parts, breakage of parts, mounting, and any other conditions that may affect its operation. A guard or other part that is damaged should be properly repaired or replaced by an authorized service center unless otherwise indicated elsewhere in this manual.

■ All chain saw service, other than the items listed in the operation and maintenance sections, should be performed by an authorized service center.

CHAIN SAW SAFETY WARNINGS

- Always maintain a proper stance.
- Do not use chain saw if switch does not turn it on and off. Have defective switch replaced by an authorized service center.
- Do not adapt your power head to a bow guide or use it to power any attachments or devices not listed for the saw.
- Disconnect chain saw from power supply when not in use, before servicing, and when making adjustments and changing attachments, such as saw chain and guard.
- Do not cut vines and/or small underbrush.
- Do not operate a chain saw in a tree, on a ladder, rooftop, scaffold, or other unstable support; this is extremely dangerous.

NOTE: The size of the work area depends on the job being performed as well as the size tree or work piece involved. For example, felling a tree requires a larger work area than making bucking cuts.

- Do not force the chain saw. The job can be performed better and safer at the rate for which it was intended.
- Always use the right product for your application. The chain saw should be used for cutting wood only. Never use the chain saw to cut plastic, masonry or non-wood building materials.
- Store chain saw when not in use. Chain saw should be stored in a dry and high or locked area out of the reach of children. When storing chain saw place the scabbard on the bar and chain and store the chain saw in carrying case.
- Use this product only with batteries and chargers listed in tool/appliance/battery pack/charger correlation supplement 988000-842.
- Battery operated units do not have to be plugged into an electrical outlet; therefore, they are always in operating condition. Be aware of possible hazards even when unit is not operating.
- Remove the battery pack from the chain saw before cleaning, servicing, storing, removing material from the unit, changing accessories such as the bar and chain, or when not in use.

KICKBACK

See Figures 1 - 3.

WARNING:

Kickback may occur when the moving chain contacts an object at the upper portion of the tip of the guide bar or when the wood closes in and pinches the saw chain in the cut. Contact at the upper portion of the tip of the guide bar can cause the chain to dig into the object and stop the chain for an instant. The result is a lightning fast, reverse reaction which kicks the guide bar up and back toward the operator. If the saw chain is pinched along the top of the guide bar, the guide bar can be driven rapidly back toward the operator. Either of these reactions can cause loss of saw control which can result in serious injury. Do not rely exclusively upon the safety devices built into the saw. As a chain saw user, you should take several steps to keep your cutting jobs free from accident or injury.

■ **The following precautions should be followed to minimize kickback:**

- Always grip the saw firmly with both hands. Hold the saw firmly with both hands when the unit is running. Place your right hand on the rear handle and your left hand on the front handle with your thumbs and fingers encircling the chain saw handles. A firm grip together with a stiff left arm will help you maintain control of the saw if kickback occurs.
- Make sure that the area in which you are cutting is free from obstructions. Do not let the nose of the guide bar contact a log, branch, fence, or any other obstruction that could be hit while you are operating the saw.
- Always cut with the unit running at full speed. Fully squeeze the throttle trigger and maintain a steady cutting speed.
- Use replacement parts such as low kickback chain, chain brakes and special guide bars that reduce the risks associated with rotational kickback. Use only the replacement guide bars and low kickback chains specified by the manufacturer for the saw.

CHAIN SAW SAFETY WARNINGS

- With a basic understanding of kickback, you can reduce or eliminate the element of surprise. Sudden surprise contributes to accidents.
- Do not overreach. Keep proper footing and balance at all times.
- Do not cut above chest height or overreach when cutting. Do not let the nose of the guide bar contact a log, branch, ground, or any other obstruction while you are operating the unit.
- Follow the sharpening and maintenance instructions for the saw chain.
- Push and Pull – This reaction force is always opposite to the direction the chain is moving where wood contact is made. Thus, the operator must be ready to control the PULL when cutting on the bottom edge of the bar, and PUSH when cutting along the top edge. See Figure 3.

UNDERSTANDING YOUR CHAIN SAW SAFETY DEVICES

LOW KICKBACK SAW CHAIN

The rakers (depth gauges) ahead of each cutter can minimize the force of a kickback reaction by preventing the cutters from digging in too deeply at the kickback zone. Only use replacement chain that is equivalent to original chain or has been certified as low kickback chain per ANSI B175.1. Low kickback saw chain is chain that has met the kickback performance requirements of ANSI B175.1 – 2012 (American National Standard for Power Tools – Gasoline-Powered Chain Saws-Safety Requirements) when tested on the representative sample of chain saws below 3.8 c.i.d. specified in ANSI B175.1 - 2012.

As saw chains are sharpened during their useful life, they lose some of the low kickback qualities and extra caution should be used.

GUIDE BARS

Generally, guide bars with small radius tips have somewhat lower kickback potentials.

When making a replacement, be sure to order one of the RYOBI bars listed for the saw in this operator's manual.

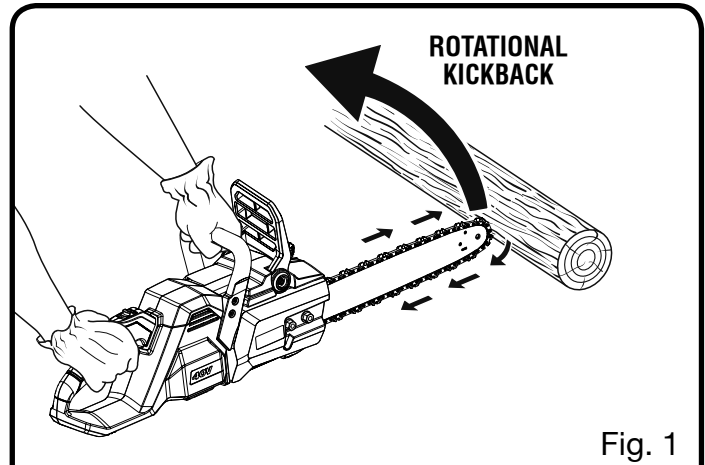


Fig. 1

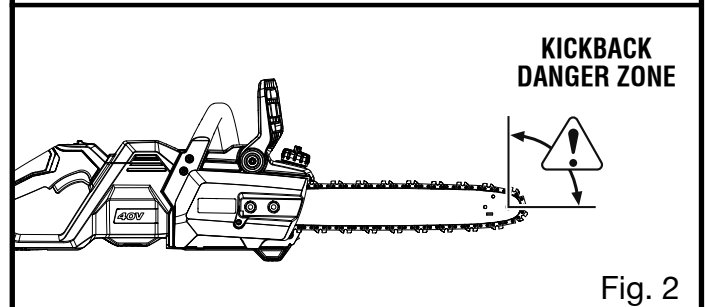


Fig. 2

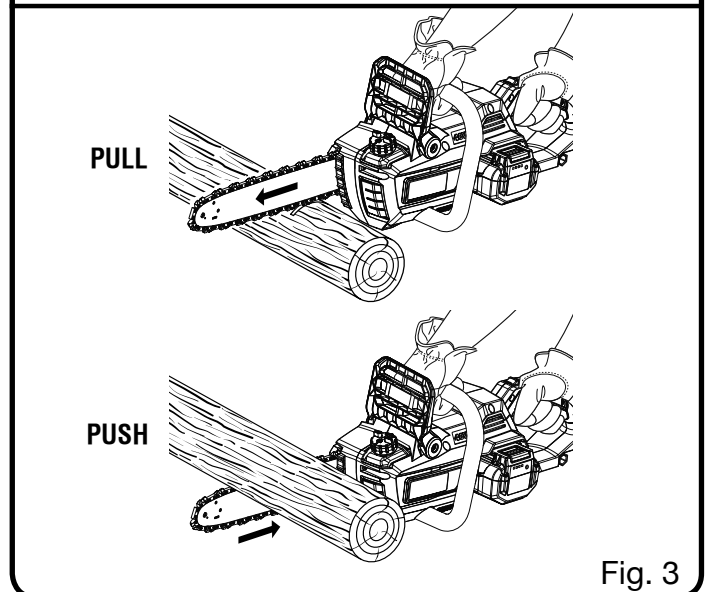





Fig. 3







- **Save these instructions.** Refer to them frequently and use them to instruct others who may use this product. If you loan someone this product, loan them these instructions also.

SYMBOLS

The following signal words and meanings are intended to explain the levels of risk associated with this product.








SYMBOL	SIGNAL	MEANING
	DANGER:	Indicates a hazardous situation, which, if not avoided, will result in death or serious injury.
	WARNING:	Indicates a hazardous situation, which, if not avoided, could result in death or serious injury.
	CAUTION:	Indicates a hazardous situation, that, if not avoided, may result in minor or moderate injury.
	NOTICE:	(Without Safety Alert Symbol) Indicates information considered important, but not related to a potential injury (e.g. messages relating to property damage).

Some of the following symbols may be used on this product. Please study them and learn their meaning. Proper interpretation of these symbols will allow you to operate the product better and safer.

SYMBOL	NAME	DESIGNATION/EXPLANATION
	Safety Alert	Indicates a potential personal injury hazard.
	Read Operator's Manual	To reduce the risk of injury, user must read and understand operator's manual before using this product.
	Wear Eye, Hearing, and Head Protection	Wear eye protection with side shields marked to comply with ANSI Z87.1 as well as hearing and head protection when operating this equipment.
	Wet Conditions Alert	Risk of fire and burns. Do not expose battery, battery compartment, or electronic components to rain, water, or liquids.
	Operate With Two Hands	Hold and operate the saw properly with both hands.
	One Handed	Do not operate the saw using only one hand.

SYMBOLS

Some of the following symbols may be used on this product. Please study them and learn their meaning. Proper interpretation of these symbols will allow you to operate the product better and safer.

SYMBOL	NAME	DESIGNATION/EXPLANATION
	Kickback	DANGER! BEWARE OF KICKBACK.
	Bar Nose Contact	Avoid bar nose contact.
	Wear Gloves	Wear non-slip, heavy-duty protective gloves when handling the chain saw.
	Wear Safety Footwear	Wear non-slip safety footwear when using this equipment.
	Keep Tool Away from Electrical Lines/Keep Bystanders Away	DANGER! Risk of electrocution! Keep tool 50 feet away from electrical lines. Keep all bystanders at least 50 ft. away or twice the height of the largest trees in the felling area when felling.
	Oil Indicator	Pour bar and chain lubricant into oil tank where indicated. Do not use any other fluids.
	Recycle Symbol	This product uses lithium-ion batteries. Local, state or federal laws may prohibit disposal of batteries in ordinary trash. Consult your local waste authority for information regarding available recycling and/or disposal options.
V	Volts	Voltage
—	Direct Current	Type or a characteristic of current

GLOSSARY OF TERMS

Bucking

The process of cross cutting a felled tree or log into lengths.

Chain Saw Power Head

A chain saw without the saw chain and guide bar.

Drive Sprocket or Sprocket

The toothed part that drives the saw chain.

Felling

The process of cutting down a tree.

Felling Back Cut

The final cut in a tree felling operation made on the opposite side of the tree from the notching undercut.

Front Hand Guard

A structural barrier between the front handle of a chain saw and the guide bar, typically located close to the hand position on the front handle.

Front Handle

The support handle located at or toward the front of the chain saw. This handle is for the left hand.

Guide Bar

A solid railed structure that supports and guides the saw chain.

Kickback

The backward or upward motion, or both, of the guide bar occurring when the saw chain near the nose of the top area of the guide bar contacts any object such as a log or branch, or when the wood closes in and pinches the saw chain in the cut.

Kickback (Pinch)

The rapid pushback of the saw which can occur when the wood closes in and pinches the moving saw chain in the cut along the top of the guide bar.

Kickback (Rotational)

The rapid upward and backward motion of the saw which can occur when the moving saw chain near the upper portion of the tip of the guide bar contacts an object, such as a log or branch.

Lock-out Button

A movable stop that prevents the unintentional operation of the switch until manually actuated.

Low-Kickback Chain

A chain that complies with the kickback performance requirements of ANSI B175.1 when tested on a representative sample of chain saws.

Normal Cutting Position

Those positions assumed in performing the bucking and felling cuts.

Notching Undercut

A notch cut in a tree that directs the tree's fall.

Rear Handle

The support handle located at or toward the rear of the saw. It normally contains the switch trigger. This handle is for the right hand.

Reduced Kickback Guide Bar

A guide bar which has been demonstrated to reduce kickback significantly.

Replacement Saw Chain

A chain that complies with the kickback performance requirements of ANSI B175.1 when tested with specific chain saws. It may not meet the ANSI performance requirements when used with other saws.

Saw Chain

A loop of chain having cutting teeth that cut the wood, and that is driven by the motor and is supported by the guide bar.

Springpole

A small tree (sapling) or limb that is bent or trapped under tension. It may "spring back" rapidly when cut, causing a dangerous situation.

Switch Trigger

A device that when operated will complete or interrupt an electrical power circuit to the motor of the chain saw.

FEATURES

PRODUCT SPECIFICATIONS

Motor.....	40 Volt DC
Bar Length.....	14 in.
Chain oil tank capacity.....	6 oz.

NOTE: This saw was designed for occasional light duty use and has some limitations as to what it can cut.

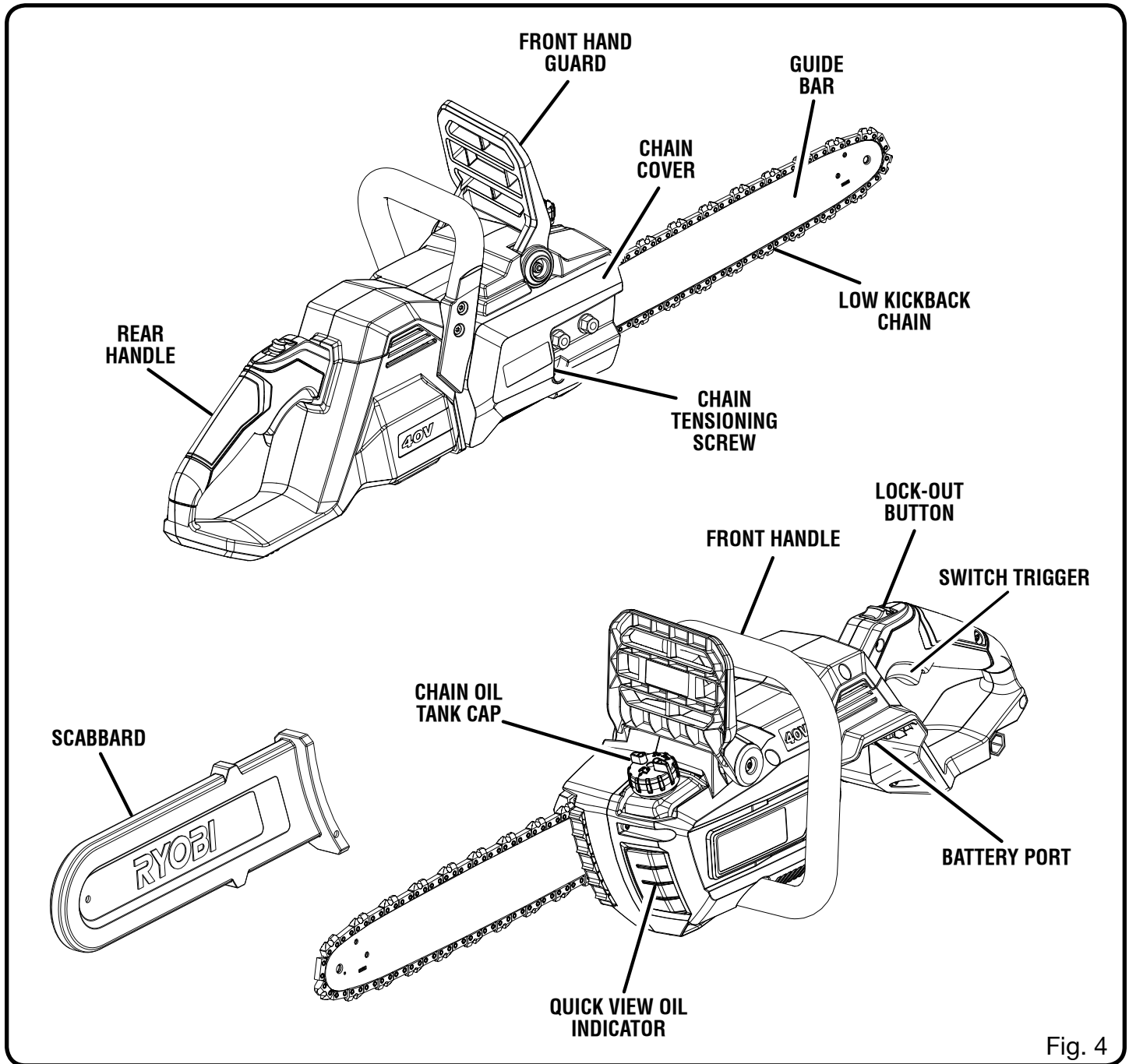


Fig. 4

FEATURES

KNOW YOUR CHAIN SAW

See Figure 4.

The safe use of this product requires an understanding of the information on the tool and in this operator's manual as well as a knowledge of the project you are attempting. Before use of this product, familiarize yourself with all operating features and safety rules.

CHAIN TENSIONING SCREW

This feature allows user to adjust the tension of the chain.

GUIDE BAR

The factory-equipped guide bar has a small radius tip that offers a somewhat lower kickback potential.

LOCK-OUT BUTTON

A control feature designed to prevent the motor from being accidentally started.

LOW KICKBACK CHAIN

The low kickback chain helps minimize the force of a kickback reaction by preventing the cutters from digging in too deeply at the kickback zone.

QUICK VIEW OIL INDICATOR

Semi-transparent oil reservoir that allows user to see when to add oil.

SWITCH TRIGGER

Squeeze the switch trigger to operate the unit after switch lock-out has been pushed in. Release the switch trigger to stop the unit.

ASSEMBLY

UNPACKING

This product has been shipped completely assembled.

- Carefully remove the product and any accessories from the box. Make sure that all items listed in the packing list are included.

WARNING:

Do not use this product if any parts on the **Packing List** are already assembled to your product when you unpack it. Parts on this list are not assembled to the product by the manufacturer and require customer installation. Use of a product that may have been improperly assembled could result in serious personal injury.

- Inspect the product carefully to make sure no breakage or damage occurred during shipping.
- Do not discard the packing material until you have carefully inspected and satisfactorily operated the product.
- If any parts are damaged or missing, please call 1-800-860-4050 for assistance.

PACKING LIST

Chain Saw with Scabbard
Combination Wrench
Operator's Manual

WARNING:

If any parts are damaged or missing do not operate this product until the parts are replaced. Use of this product with damaged or missing parts could result in serious personal injury.

ASSEMBLY

WARNING:

Do not attempt to modify this product or create accessories not recommended for use with this product. Any such alteration or modification is misuse and could result in a hazardous condition leading to possible serious personal injury.

WARNING:

To prevent accidental starting that could cause serious personal injury, always remove the battery pack from the product when assembling parts.

OPERATION

DANGER:

Never cut near power lines, electric cords, or other electric sources. If bar and chain jams on any electrical cord or line, **DO NOT TOUCH THE BAR OR CHAIN! THEY CAN BECOME ELECTRICALLY LIVE AND VERY DANGEROUS.** Continue to hold the chain saw by the insulated rear handle or lay it down and away from you in a safe manner. Disconnect the electrical service to the damaged line or cord before attempting to free the bar and chain from the line or cord. Contact with the bar, chain, other conductive parts of the chain saw, or live electric cords or lines will result in death by electrocution, electric shock, or serious personal injury.

WARNING:

Do not allow familiarity with this product to make you careless. Remember that a careless fraction of a second is sufficient to inflict serious injury.

WARNING:

Always wear eye protection with side shields marked to comply with ANSI Z87.1 as well as head and hearing protection when operating this equipment. Failure to do so could result in objects being thrown into your eyes and other possible serious injuries.

WARNING:

Do not use any attachments or accessories not recommended by the manufacturer of this product. The use of attachments or accessories not recommended can result in serious personal injury.

WARNING:

Never fell a tree or cut a log or limb that has a diameter greater than the length of the guide bar. Only properly trained professionals should perform these cuts. Performing these types of cuts can cause an accident and result in death or serious personal injury.

NOTICE:

Before each use, inspect the entire product for damaged, missing, or loose parts such as screws, nuts, bolts, caps, etc. Tighten securely all fasteners and caps and do not operate this product until all missing or damaged parts are replaced. Please contact customer service or a qualified service center for assistance.

APPLICATIONS

You may use this product for the following purposes:

- Limbing and pruning branches from trees
- Felling small trees
- Bucking the fallen tree into shorter lengths

OPERATION

TO INSTALL/REMOVE BATTERY PACK

See Figure 5.

WARNING:

Always remove battery pack from your tool when you are assembling parts, making adjustments, cleaning, carrying, transporting or when not in use. Removing battery pack will prevent accidental starting that could cause serious personal injury.

NOTE: To avoid serious personal injury, always remove the battery pack and keep hands clear of the lock-out button when carrying or transporting the tool.

To install:

- Place the battery pack in your chain saw. Align raised rib on battery pack with groove in chain saw's battery port.
- Make sure the latch on bottom side of battery pack snaps in place and that battery pack is secured in chain saw before beginning operation.

WARNING:

Make sure the latch on the battery pack snaps in place and the battery pack is fully seated and secure in the power head battery port before beginning operation. Failure to securely seat the battery pack could cause the battery pack to fall out, resulting in serious personal injury.

To remove:

Locate latch on bottom of battery pack and depress both sides to release the battery pack from the chain saw.

NOTICE:

When placing battery pack in your chain saw, be sure raised rib on battery pack aligns with groove in chain saw's battery port and latches snap in place properly. Improper assembly of battery pack can cause damage to internal components.

For complete charging instructions, see the operator's manuals for your battery pack and charger.

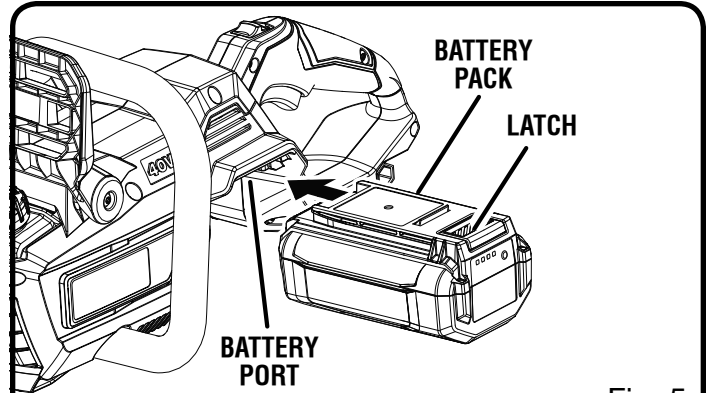


Fig. 5

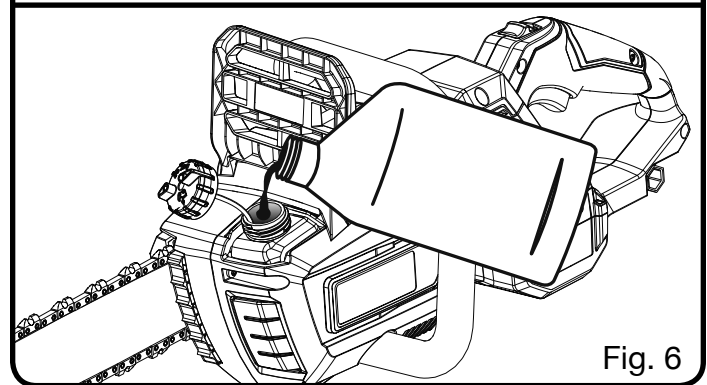


Fig. 6

CHAIN OIL SYSTEM

See Figure 6.

NOTICE:

Remove battery pack from unit. Fill oil tank with bar and chain lubricant (not provided) before starting the chain saw. Failure to lubricate the chain will cause damage to the bar and chain.

- Use bar and chain lubricant (not provided). That is formulated to perform over a wide temperature range with no dilution required.

NOTE: Do not use dirty, used or otherwise contaminated oils. Damage may occur to the bar or chain.

- Carefully pour the bar and chain oil into the tank.
- Check and fill the oil tank when battery is recharged, or as needed.

NOTE: It is normal for lubricant to seep from the saw when not in use. To prevent seepage, empty the oil tank after each use. When storing the unit for a long period of time (three months or longer) be sure the chain is lightly lubricated; this will prevent rust on the chain and bar sprocket.

OPERATION

NOTICE:

Before each use, check to make sure that the chain is properly tensioned. A cold chain is correctly tensioned when there is no slack on the underside of the guide bar, the chain is snug, and it can be turned by hand without binding. During normal saw operation, the temperature of the chain increases. The drive links of a correctly tensioned warm chain will hang approximately .050 in. out of the bar groove.

See the **Adjusting the Chain Tension** instructions in the *Maintenance* section of this manual to properly adjust the chain tension.

STARTING AND STOPPING THE CHAIN SAW

See Figure 7.

WARNING:

Keep body to the left of the chain line. Never straddle the saw or chain, or lean over past the chain line. Improper operation of the chain saw could result in serious personal injury.

Starting the chain saw:

- Slide and hold the lock-out button. This makes the switch trigger operational.
- Press and hold the switch trigger, release the lock-out button and continue to squeeze the switch trigger for continued operation.

Stopping the chain saw:

- Release the switch trigger to stop the chain saw.
- Upon release of the switch trigger, the lock-out button will be automatically reset to the lock position.

This cordless chain saw is designed for limbing and pruning type cutting, as well as cutting small trees.

PREPARATION FOR CUTTING

PROPER GRIP ON HANDLES

See Figures 8 - 10.

Refer to *General Power Tool Safety Warnings* earlier in this manual for appropriate safety equipment.

- Wear non-slip gloves for maximum grip and protection.

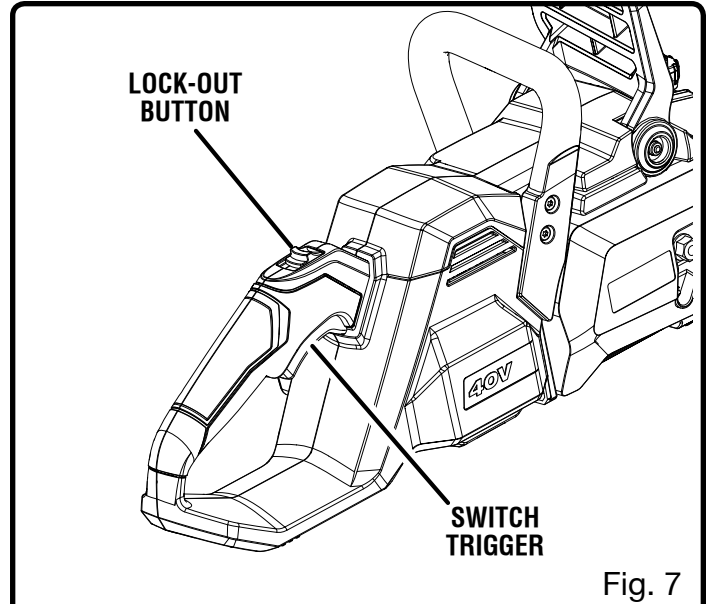


Fig. 7

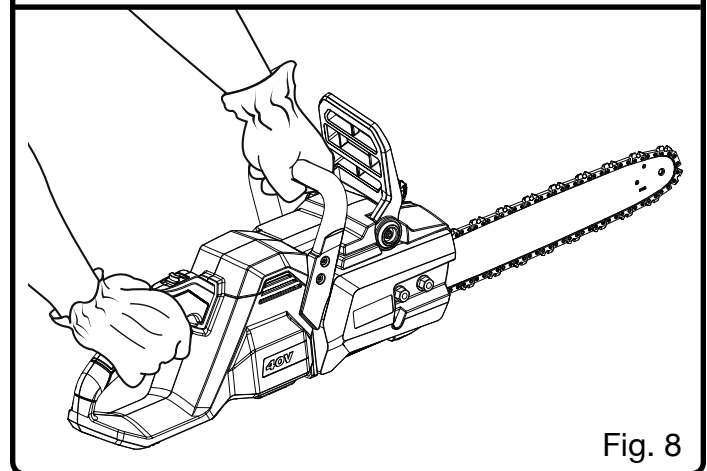


Fig. 8

OPERATION

- Hold the saw firmly with both hands. Always keep your left hand on the front handle and your right hand on the rear handle so that your body is to the left of the chain line.

WARNING:

Never use a left-handed (cross-handed) grip, or any stance which would place your body or arm across the chain line. Improper operation of the chain saw could result in serious personal injury.

- Maintain a proper grip on the saw whenever the unit is running. The fingers should encircle the handle and the thumb is wrapped under the handlebar. This grip is least likely to be broken (by a kickback or other sudden reaction of the saw). Any grip in which the thumb and fingers are on the same side of the handle, is dangerous because a slight kick of the saw can cause loss of control.

WARNING:

Do not operate the switch trigger with your left hand and hold the front handle with your right hand. Never allow any part of your body to be in the chain line while operating a saw. Improper operation of the chain saw could result in serious personal injury.

PROPER CUTTING STANCE

See Figures 11 - 12.

WARNING:

Always use the proper cutting stance described in this section. Never kneel when using the chain saw, except when felling a tree as illustrated in figure 12. Kneeling could result in loss of stability and control of the chain saw, resulting in serious personal injury.

- Weight should be balanced with both feet on solid ground.
- Keep left arm with elbow locked in a “straight arm” position to withstand any kickback force.
- Your body should always be to the left of the chain line.
- Thumb should be on underside of handlebar.

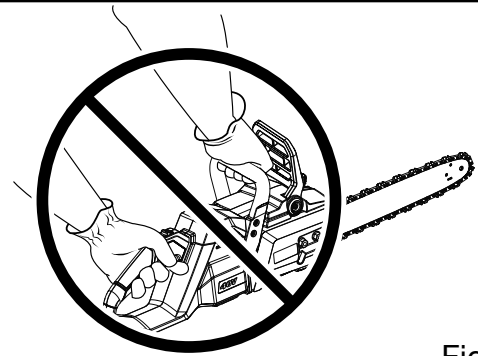
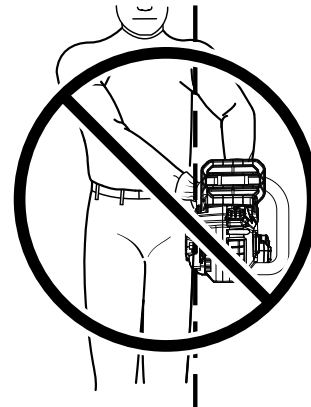


Fig. 9



CHAIN LINE

Fig. 10

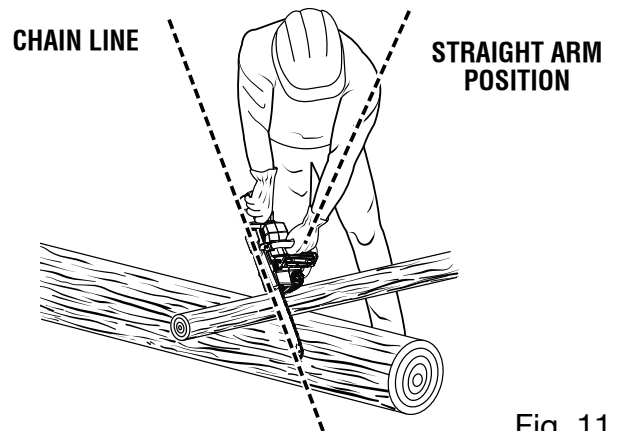


Fig. 11



Fig. 12

OPERATION

BASIC CUTTING PROCEDURE

Practice cutting a few small logs using the following technique to get the “feel” of using the saw before you begin a major sawing operation.

- Take the proper stance in front of the wood with the saw off.
- Squeeze the switch trigger and let the chain accelerate to full speed before entering the cut.
- Begin cutting with the saw against the log.
- Keep the unit running the entire time you are cutting, maintain a steady speed.
- Allow the chain to cut for you; exert only light downward pressure. If you force the cut, damage to the bar, chain, or unit can result.
- Release the switch trigger as soon as the cut is completed, allowing the chain to stop. If you run the saw without a cutting load, unnecessary wear can occur to the chain, bar, and unit.
- Do not put pressure on the saw at the end of cut.

WORK AREA PRECAUTIONS

See Figure 13.

- Cut only wood or materials made from wood, no sheet metal, no plastics, no masonry, no non-wood building materials.
- Never allow children to operate the saw. Allow no person to use this chain saw who has not read this Operator’s Manual or received adequate instructions for the safe and proper use of this chain saw.
- Keep everyone – helpers, bystanders, children, and animals – a safe distance from the cutting area. During felling operations, the safe distance should be a least twice the height of the largest trees in the falling area. During bucking operations, keep a minimum distance of 15 feet between workers.
- Always cut with both feet on solid ground to prevent being pulled off balance.
- Do not cut above chest height, as a saw held higher is difficult to control against kickback forces.
- Do not fell trees near electrical wires or buildings. Leave this operation for professionals.

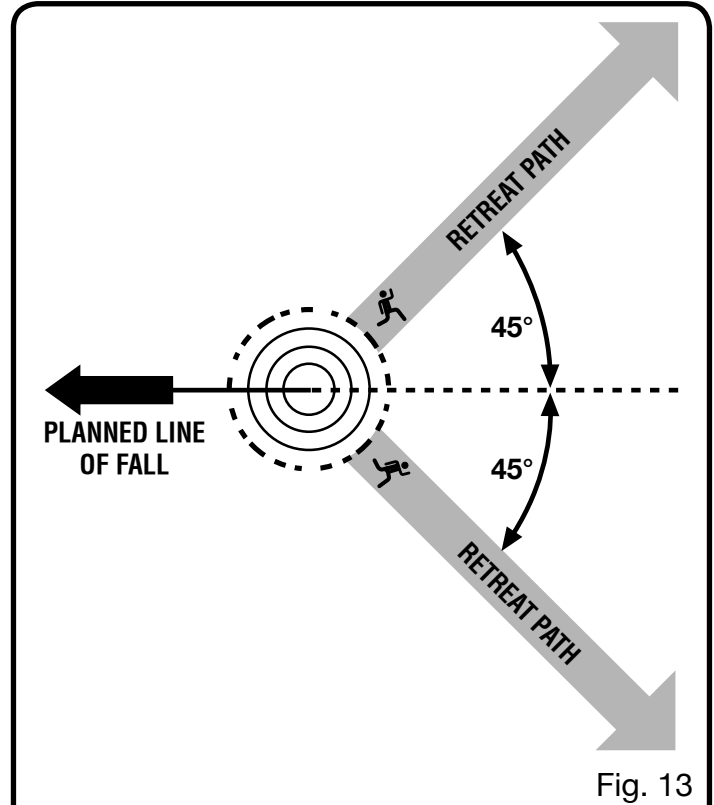


Fig. 13

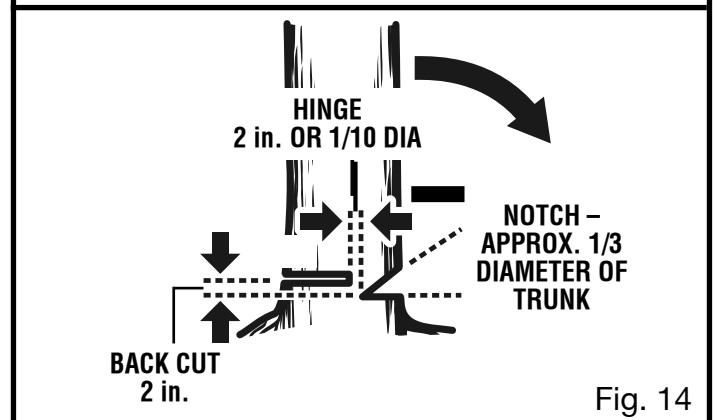


Fig. 14

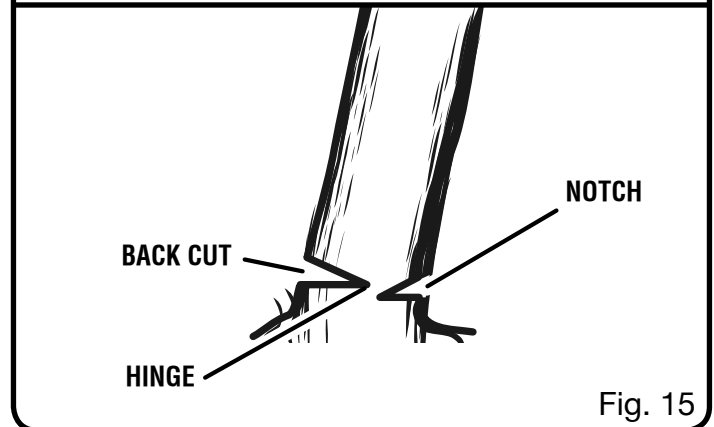


Fig. 15

- Cut only when visibility and light are adequate for you to see clearly.

OPERATION

FELLING TREES

See Figures 13 - 16.

HAZARDOUS CONDITIONS

WARNING:

Do not fell trees during periods of high wind or heavy precipitation. Wait until the hazardous weather has ended.

WARNING:

Closely check for broken or dead branches, which could fall while cutting and do not cut near buildings or electrical wires if you do not know the direction of tree fall. Do not cut at night or during bad weather conditions, such as rain, snow, or strong winds, which can reduce visibility and control of the chain saw. If the tree you are felling makes contact with any utility line, you should discontinue use of the chain saw and immediately notify the utility company. Failure to follow these instructions could result in death or serious personal injury.

When felling a tree, it is very important that you closely follow these warnings and instructions to prevent possible death or serious personal injury.

- Do not cut down trees having an extreme lean or large trees with rotten limbs, loose bark, or hollow trunks. Have these trees pushed or dragged down with heavy equipment, then cut them up.
- Do not cut trees near electrical wires or buildings.
- Check the tree for damaged or dead branches that could fall and hit you during felling.
- Periodically glance at the top of the tree during the backcut to assure the tree is going to fall in the desired direction.
- If the tree starts to fall in the wrong direction, or if the saw gets caught or hung up during the fall, leave the saw and save yourself!
- Felling a tree — When bucking and felling operations are being performed by two or more persons, at the same time, the felling operation should be separated from the bucking operation



by a distance of at least twice the height of the tree being felled. Trees should not be felled in a manner that would endanger any person, strike any utility line or cause any property damage. If the tree does make contact with any utility line, the utility company should be notified immediately.

- Before any cuts are started, pick your escape route (or routes in case the intended route is blocked); clear the immediate area around the tree and make sure there are no obstructions in your planned path of retreat. Clear paths of safe retreat should extend back and diagonally (45°) to the rear of the planned line of fall. When the tree begins to fall, you should retreat away from the direction of fall along a retreat path and at least 20 feet away from the trunk in case it kicks back over the stump. See Figure 13.
- Before felling is started, consider the force and direction of the wind, the lean and balance of the tree, and the location of large limbs. These things influence the direction in which the tree will fall. Do not try to fell a tree along a line different from its natural line of fall.
- The chain saw operator should keep on the uphill side of the terrain as the tree is likely to roll or slide downhill after it is felled.
- Remove dirt, stones, loose bark, nails, staples, and wire from the tree where felling cuts are to be made.
- **Notched Undercut.** Cut a notch about 1/3 the diameter of the tree, perpendicular to the direction of fall. Make the cuts of the notch so they intersect at a right angle to the line of fall. This notch should be cleaned out to leave a straight

OPERATION

line. To keep the weight of the wood off the saw, always make the lower cut of the notch before the upper cut. See Figure 14.

- **Felling Backcut.** The backcut is always made level and horizontal, and at a minimum of 2 in. above the horizontal cut of the notch. See Figures 14 - 15.
- Never cut through to the notch. Always leave a band of wood between the notch and backcut (approximately 2 in. or 1/10 the diameter of the tree). This is called “hinge” or “hingewood.” It controls the fall of the tree and prevents slipping or twisting or shoot-back of the tree off the stump. See Figures 14 - 15.
- On large diameter trees, stop the back cut before it is deep enough for the tree to either fall or settle back on the stump. Then insert soft wooden or plastic wedges into the cut so they do not touch the chain. The wedges can be driven in, little by little, to help jack the tree over. See Figure 16.
- As tree starts to fall, stop the chain saw and put it down immediately. Retreat along the cleared path, but watch the action in case something falls your way. Be alert for overhead limbs or branches that may fall and watch your footing.

WARNING:

Never cut through to the notch when making a backcut. The hinge controls the fall of the tree, this is the section of wood between the notch and backcut.

BUCKING

See Figures 17 - 20.

Bucking is the term used for cutting a fallen tree to the desired log length.

- Always make sure your footing is secure and your weight is distributed evenly on both feet.
- Cut only one log at a time.
- Support small logs on a saw horse or another log while bucking.
- Keep a clear cutting area. Make sure that no objects can contact the guide bar nose and chain during cutting, this can cause kickback.

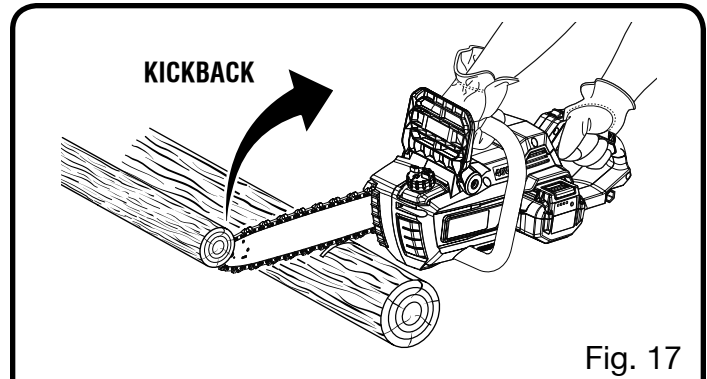


Fig. 17

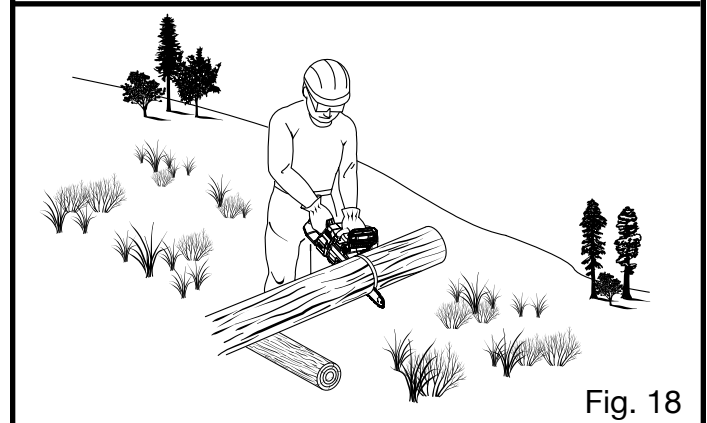


Fig. 18

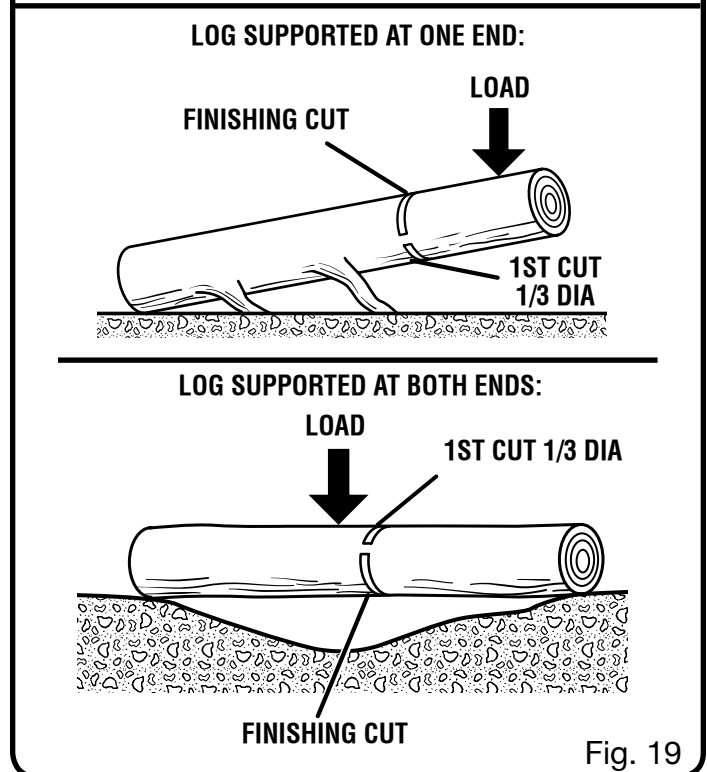


Fig. 19

OPERATION

- When bucking on a slope, always stand on the uphill side of the log. To maintain complete control of the chain saw when cutting through the log, release the cutting pressure near the end of the cut without relaxing your grip on the chain saw handles. Do not let the chain contact the ground. After completing the cut, wait for the saw chain to stop before you move the chain saw. Always stop the motor before moving from tree to tree.
- Sometimes it is impossible to avoid pinching (with just standard cutting techniques) or difficult to predict which way a log will settle when cut. To avoid pinching while cutting, rotate or move the log so that the pinch is eliminated.

BUCKING LOGS UNDER STRESS

See Figures 19 - 20.

When the log is supported along its entire length, it should be cut from the top or overbucking.

When the log is supported on one end, cut 1/3 the diameter from the underside or underbucking. Then make the finishing cut by overbucking to meet the first cut.

As the log is being cut, it will tend to bend. The saw can become pinched or hung in the log if you make the first cut deeper than 1/3 of the diameter of the log.

Give special attention to logs under stress to prevent the bar and chain from pinching.

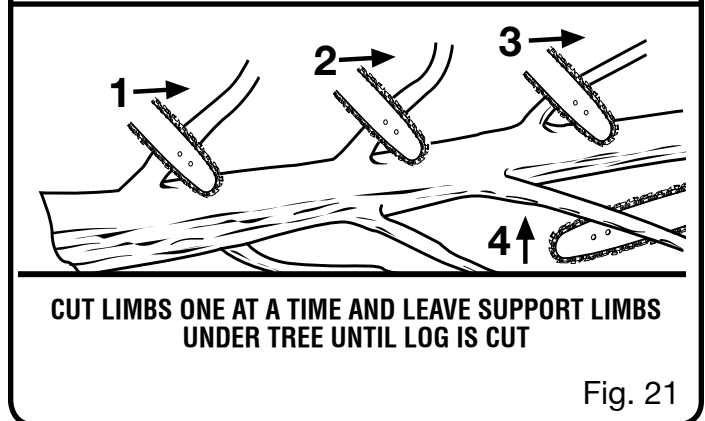
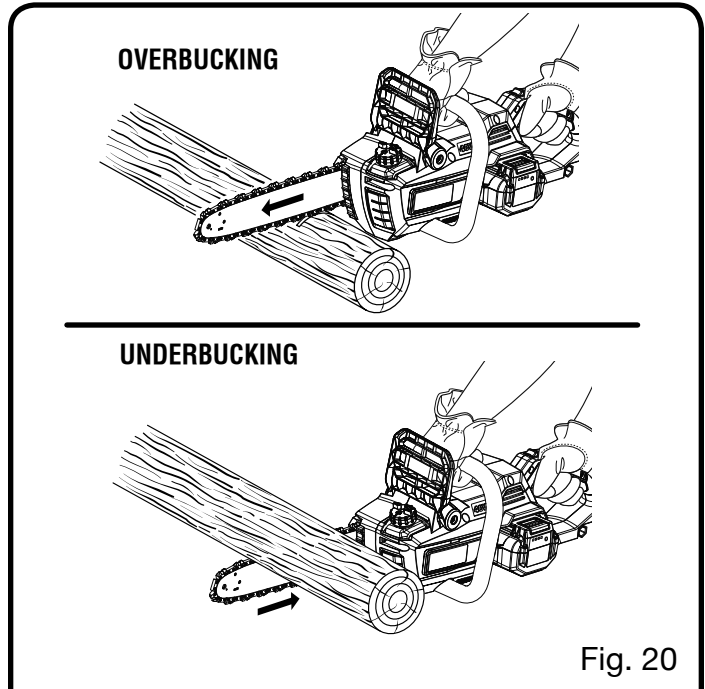
When bucking on a slope, always stand on the uphill side of the log as shown in figure 18. When “cutting through,” to maintain complete control of the chain saw, release the cutting pressure near the end of the cut without relaxing your grip on the chain saw handles. Do not let the chain contact the ground. After completing the cut, wait for the saw chain to stop before you move the chain saw. Always stop the motor before moving from tree to tree.

TYPES OF CUTTING USED

See Figure 20.

OVERBUCKING

Begin on the top side of the log with the bottom of the saw against the log; exert light pressure downward. Note that the saw will tend to pull away from you.



UNDERBUCKING

Begin on the under side of the log with the top of the saw against the log; exert light pressure upward. During underbucking, the saw will tend to push back at you. Be prepared for this reaction and hold the saw firmly to maintain control.

LIMBING

See Figure 21.

⚠ WARNING:

Never climb into a tree to limb or prune. Do not stand on ladders, platforms, a log, or in any position which can cause you to lose your balance or control of the saw, which could result in death or other serious personal injury.

OPERATION

Limbing is removing branches from a fallen tree.

- Work slowly, keeping both hands on the chain saw with a firm grip. Always make sure your footing is secure and your weight is distributed evenly on both feet.
- Leave the larger support limbs under the tree to keep the tree off the ground while cutting.
- Limbs should be cut one at a time. Remove the cut limbs from the work area often to help keep the work area clean and safe.
- Branches under tension should be cut from the bottom up to avoid binding the chain saw.
- Keep the tree between you and the chain saw while limbing. Cut from the side of the tree opposite the branch you are cutting.

PRUNING

See Figure 22.

Pruning is trimming limbs from a live tree.

- Work slowly, keeping both hands on the chain saw with a firm grip. Always make sure your footing is secure and your weight is distributed evenly on both feet.
- Do not cut from a ladder, this is extremely dangerous. Leave this operation for professionals.
- Do not cut above chest height as a saw held higher is difficult to control against kickback.
- When pruning trees it is important not to make the finishing cut next to the main limb or trunk until you have cut off the limb further out to reduce the weight. This prevents stripping the bark from the main member.
- Underbuck the branch 1/3 through for your first cut.
- Your second cut should overbuck to drop the branch off.
- Now make your finishing cut smoothly and neatly against the main member so the bark will grow back to seal the wound.

WARNING:

If the limbs to be pruned are above chest height, hire a professional to perform the pruning. Failure to do so could result in death or serious personal injury.

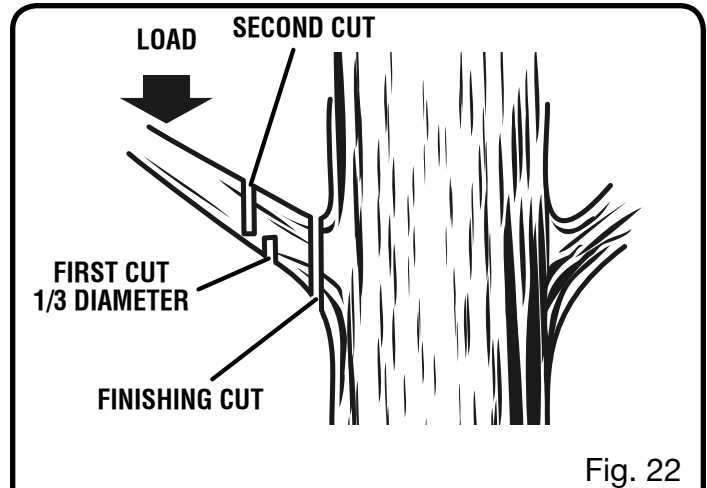


Fig. 22

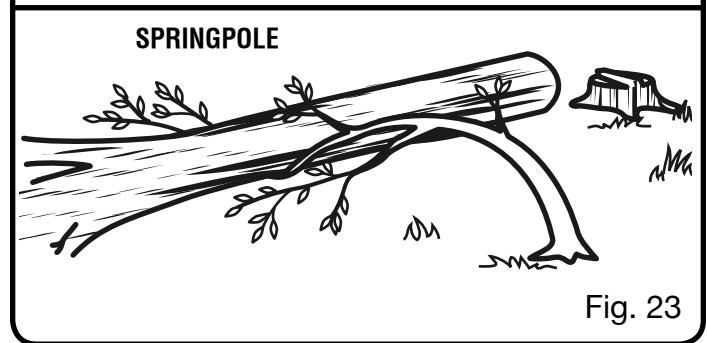


Fig. 23

SPRINGPOLES

See Figure 23.

A springpole is any log, branch, rooted stump, or sapling which is bent under tension by other wood so that it springs back if the wood holding it is cut or removed. On a fallen tree, a rooted stump has a high potential of springing back to the upright position during the bucking cut to separate the log from the stump. Watch out for springpoles, they are dangerous.

WARNING:

Springpoles are dangerous and could strike the operator, causing the operator to lose control of the chain saw. This could result in severe or fatal injury to the operator.

MAINTENANCE

WARNING:

To avoid serious personal injury, always remove the battery pack from the product when cleaning or performing any maintenance.

WARNING:

Always wear eye protection with side shields marked to comply with ANSI Z87.1 as well as head and hearing protection when operating this equipment. Failure to do so could result in objects being thrown into your eyes and other possible serious injuries.

WARNING:

When servicing, use only identical replacement parts. Use of any other parts can create a hazard or cause product damage.

WARNING:

Never use water or any liquids to clean or rinse off your product and do not expose the product to rain or wet conditions. Store indoors in a dry area. Corrosive liquids, water, and chemicals can enter the product's electronic components and/or battery compartment and damage electronic components and/or the battery pack, which can result in a short circuit, increased risk of fire, and serious personal injury. Remove any buildup of dirt and debris by wiping the product clean with a dry cloth occasionally.

NOTICE:

Periodically inspect the entire product for damaged, missing, or loose parts such as screws, nuts, bolts, caps, etc. Tighten securely all fasteners and caps and do not operate this product until all missing or damaged parts are replaced. Please contact customer service or a qualified service center for assistance.

GENERAL MAINTENANCE

Avoid using solvents when cleaning plastic parts. Most plastics are susceptible to damage from various types of commercial solvents and may be damaged by their use. Use clean cloths to remove dirt, dust, oil, grease, etc.

WARNING:

Do not at any time let brake fluids, gasoline, petroleum-based products, penetrating oils, etc., come in contact with plastic parts. Chemicals can damage, weaken or destroy plastic which could result in serious personal injury.

REPLACING BAR AND CHAIN

See Figures 24 - 29.

WARNING:

Remove the battery pack from the chain saw and make sure the chain has stopped before you do any work on the saw. Failure to do so may result in accidental starting and possible serious injury.

WARNING:

To avoid serious personal injury, read and understand all the safety instructions in this section.

WARNING:

Never touch or adjust the chain while the motor is running. The saw chain is very sharp; always wear protective gloves when performing maintenance to the chain to avoid possible serious lacerations.

CAUTION:

Always wear gloves when handling the bar and chain; these components are sharp and may contain burrs.

MAINTENANCE

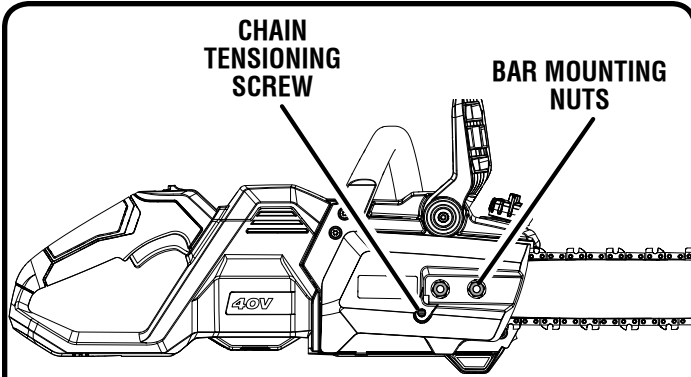


Fig. 24

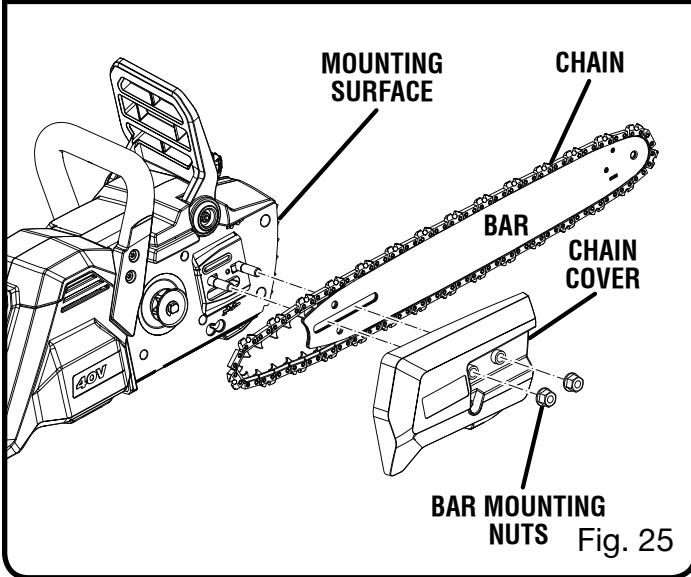


Fig. 25

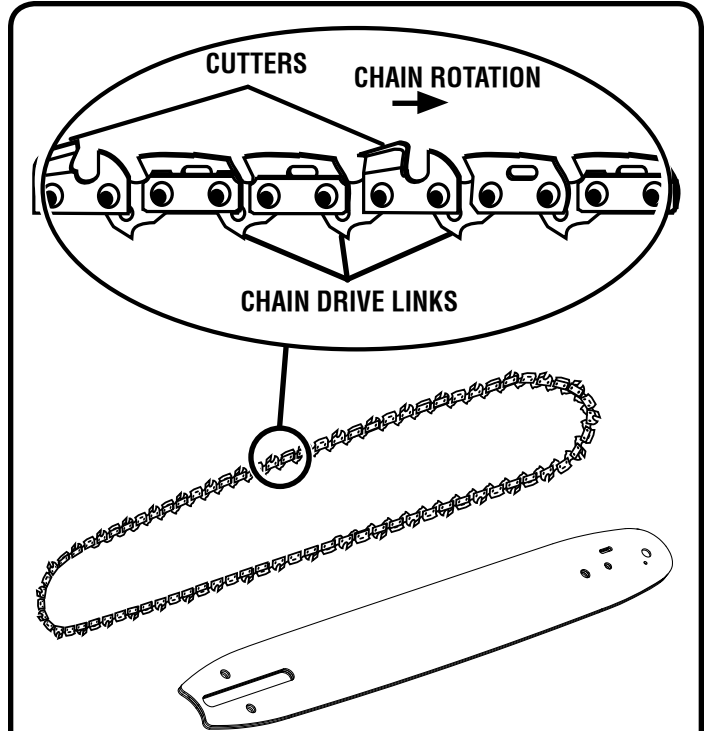


Fig. 26

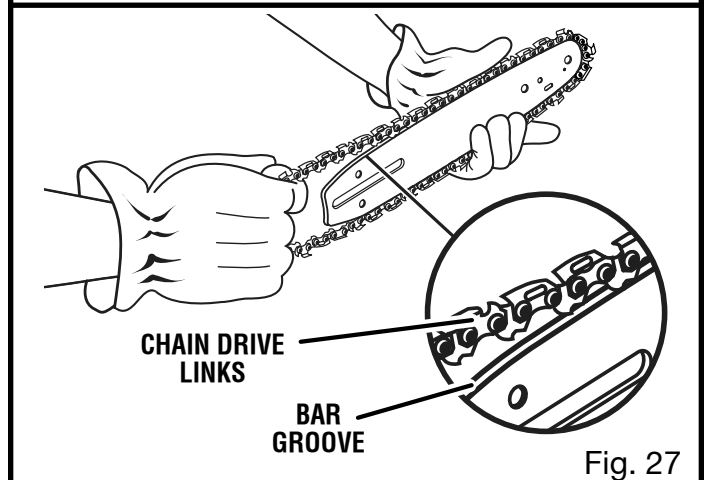


Fig. 27

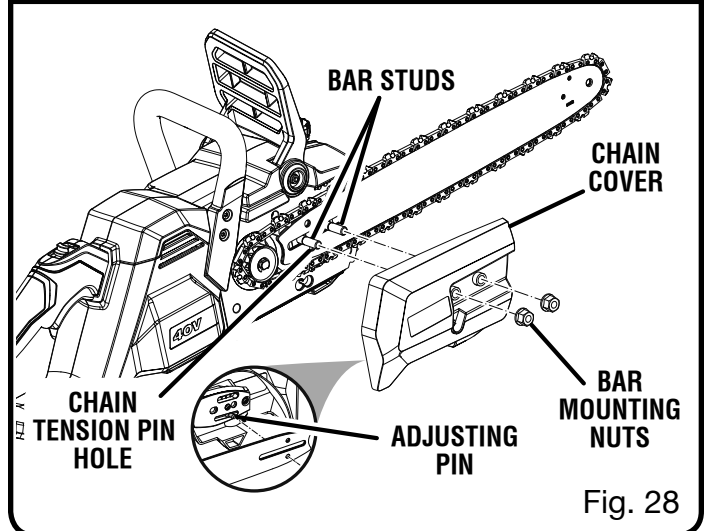


Fig. 28

NOTE: When replacing the guide bar and chain, always use the specified bar and chain listed in the **Bar and Chain Combinations** section later in this manual.

- Remove the battery pack before you do any work on the chain saw.
- Remove the bar mounting nuts using the combination wrench provided.
- Remove the chain cover.
- Remove the bar and chain from the mounting surface.
- Remove the old chain from the bar.
- Lay out the new saw chain in a loop and straighten any kinks. The cutters should face in the direction of chain rotation. If they face backwards, turn the loop over.
- Place the chain drive links into the bar groove as shown.

NOTE: Make certain of direction of chain.

MAINTENANCE

- Position the chain so there is a loop at the back of the bar.
- Hold the chain in position on the bar and place the loop around the sprocket.
- Fit the bar flush against the mounting surface so that the bar studs are in the long slot of the bar.
- Replace the chain cover ensuring that the adjusting pin in the chain cover is in the bar chain tensioning pin hole and that both bar studs are securely in their respective holes in the chain cover.

NOTE: The adjusting pin may need to be slightly repositioned with the chain tensioning screw so that it is aligned with the position of the bar chain tensioning pin hole.

- Replace the chain cover and bar mounting nuts.
- Finger-tighten the bar mounting nuts. The bar must be free to move for tension adjustment.
- Remove all slack from the chain by turning the chain tensioning screw clockwise until the chain seats snugly against the bar with the drive links in the bar groove.
- Lift the tip of the guide bar up to check for sag.
- Hold the tip of the guide bar up and tighten the bar mounting nuts securely.

The chain is correctly tensioned when there is no sag on the underside of the guide bar, the chain is snug, but it can be turned by hand without binding.

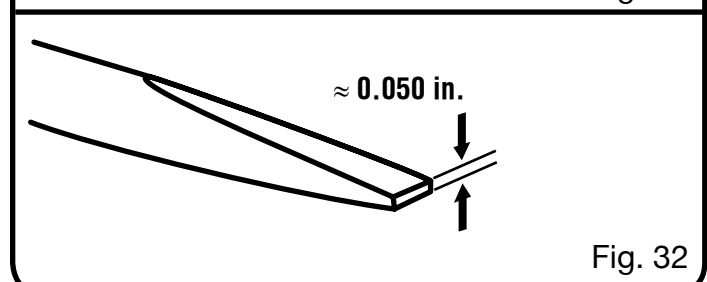
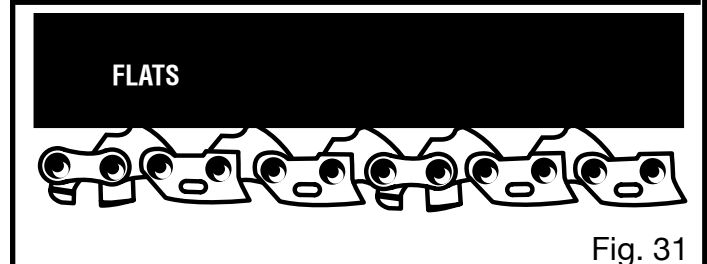
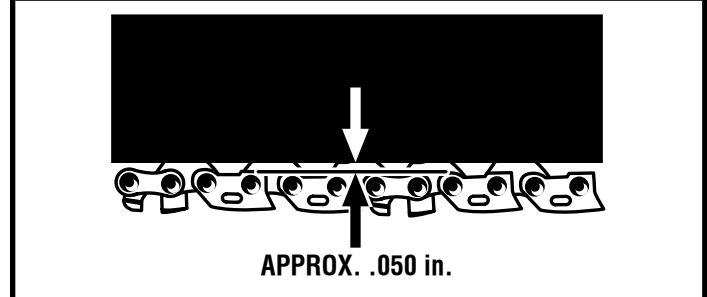
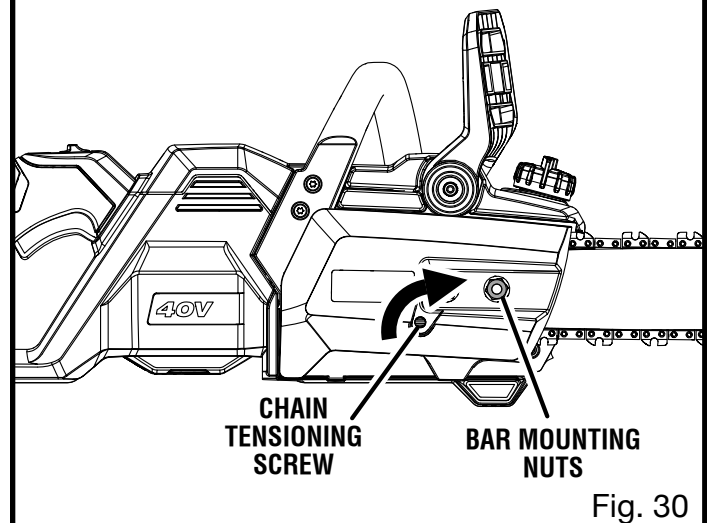
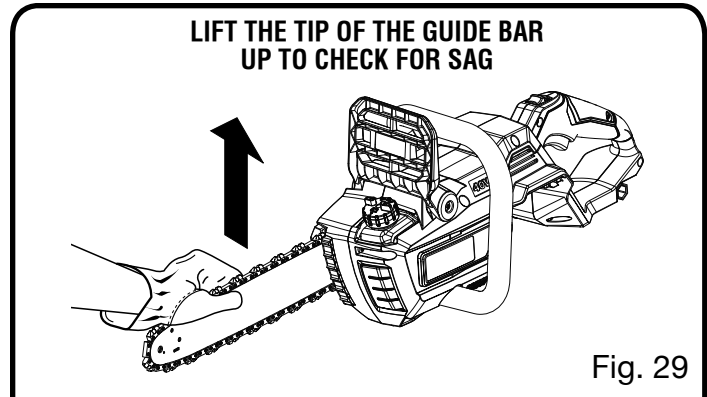
NOTE: If chain is too tight, it will not rotate. Loosen the bar nuts slightly and turn the tension adjuster 1/4 turn counterclockwise. Lift the tip of the guide bar up and retighten the bar nuts securely. Ensure that the chain will rotate without binding.

ADJUSTING THE CHAIN TENSION

See Figures 30 - 32.

⚠ WARNING:

Stop the motor and remove the battery pack. Never touch or adjust the chain while the motor is running. The saw chain is very sharp. Always wear protective gloves when performing maintenance on the chain. Failure to follow these instructions can result in serious personal injury.



MAINTENANCE

- Remove the battery pack before you do any work on the chain saw.
- Make sure the bar mounting nuts are loosened to finger tight.
- Turn the chain tensioning screw clockwise to increase tension the chain.

NOTE: A cold chain is correctly tensioned when there is no slack on the underside of the guide bar, the chain is snug, and it can be turned by hand without binding.

- Retension the chain whenever the flats on the drive links hang out of the bar groove.

NOTE: During normal saw operation, the temperature of the chain increases. The drive links of a correctly tensioned warm chain will hang approximately 0.050 in. out of the bar groove. The tip of the supplied combination wrench can be used as a guide to help determine the correct warm chain tension.

NOTE: New chains tend to stretch; check the chain tension frequently and tension as required.

NOTICE:

A chain tensioned while warm may be too tight upon cooling. Check the “cold tension” before next use to avoid possible injury.

CHAIN MAINTENANCE

See Figures 33 - 35.

WARNING:

Remove the battery pack and make sure the chain has stopped before you do any work on the saw to avoid accidental starting and possible serious personal injury.

Use only low-kickback chain on this saw. This fast-cutting chain will provide kickback reduction when properly maintained.

For smooth and fast cutting, chain needs to be maintained properly. The chain requires sharpening when the wood chips are small and powdery, the chain must be forced through the wood during cutting, or the chain cuts to one side. During maintenance of your chain, consider the following:

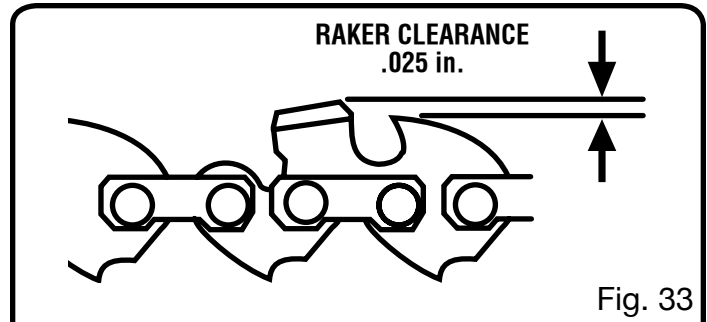


Fig. 33

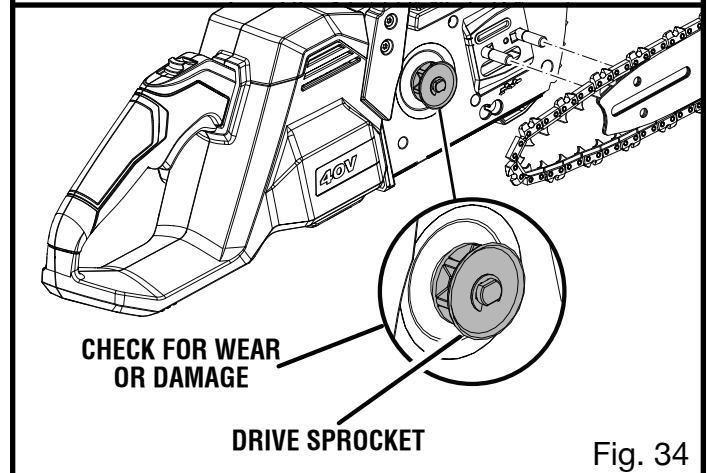


Fig. 34

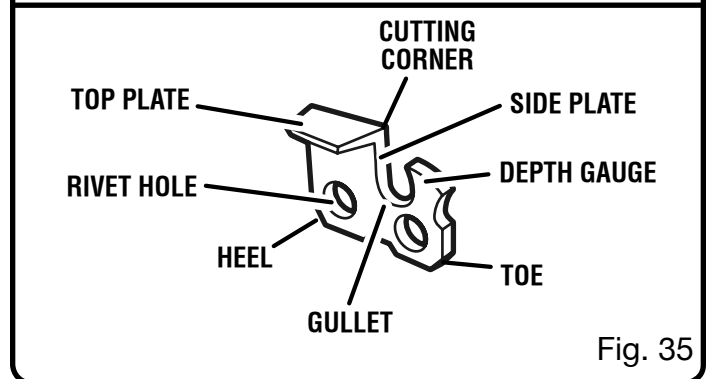


Fig. 35

- Improper filing angle of the side plate can increase the risk of a severe kickback.
- Raker (depth gauge) clearance.
 - Too low increases the potential for kickback.
 - Not low enough decreases cutting ability.
- If cutter teeth have hit hard objects such as nails and stones, or have been abraded by mud or sand on the wood, have service dealer sharpen chain.

NOTE: Inspect the drive sprocket for wear or damage when replacing the chain. If signs of wear or damage are present in the areas indicated, have the drive sprocket replaced by a RYOBI Service dealer.

MAINTENANCE

HOW TO SHARPEN THE CUTTERS

See Figures 36 - 37.

Be careful to file all cutters to the specified angles and to the same length, as fast cutting can be obtained only when all cutters are uniform.

WARNING:

The saw chain is very sharp, always wear protective gloves when performing maintenance to the chain to prevent serious personal injury.

- Properly tension the chain prior to sharpening. Refer to **Chain Tension** section earlier in this manual. Do all of your filing at the mid-point of the bar.
- Use a 5/32 in. diameter round file and holder.
- Keep the file level with the top plate of the tooth. Do not let the file dip or rock.
- Using light but firm pressure, stroke towards the front corner of the tooth.
- Lift file away from the steel on each return stroke.
- Put a few firm strokes on every tooth. File all left hand cutters in one direction. Then move to the other side and file the right hand cutters in the opposite direction. Occasionally remove filings from the file with a wire brush.

WARNING:

Improper chain sharpening increases the potential of kickback, which can result in serious personal injury.

WARNING:

Failure to replace or repair damaged chain can cause serious injury.

NOTICE:

Dull or improperly sharpened chain can cause excessive motor speed during cutting which may result in severe motor damage.

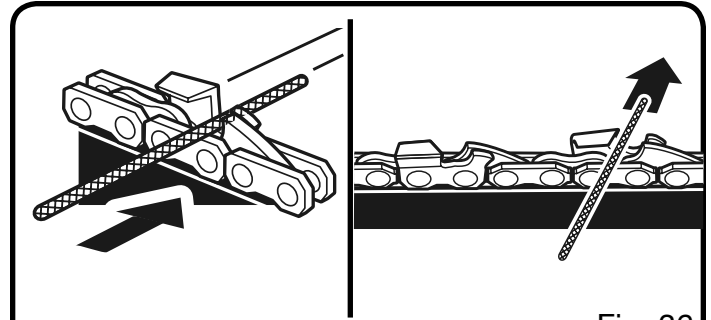


Fig. 36

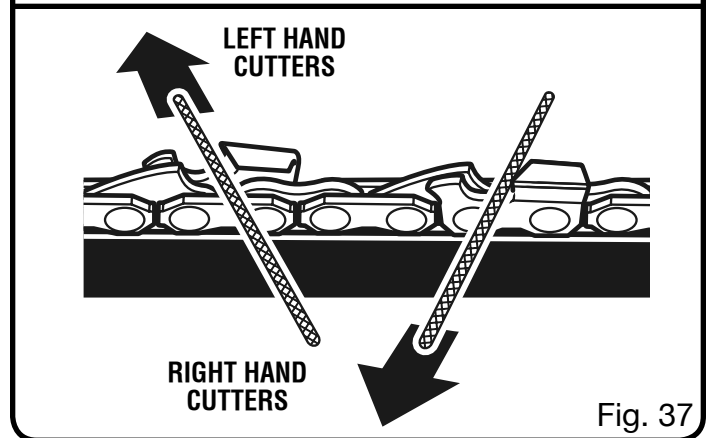


Fig. 37

MAINTENANCE

TOP PLATE FILING ANGLE

See Figure 38.

- **CORRECT 30°** – File holders are marked with guide marks to align file properly to produce correct top plate angle.
- **LESS THAN 30°** – For Cross Cutting.
- **MORE THAN 30°** – Feathered Edge Dulls Quickly.

SIDE PLATE ANGLE

See Figure 39.

- **CORRECT – 80°** Produced automatically if correct diameter file is used in file holder.
- **HOOK** – “Grabs” and dulls quickly. Increases potential of **KICKBACK**.
Results from using a file with diameter too small, or file held too low.
- **BACKWARD SLOPE** – Needs too much feed pressure, causes excessive wear to bar and chain.
Results from using a file with diameter too large, or file held too high.

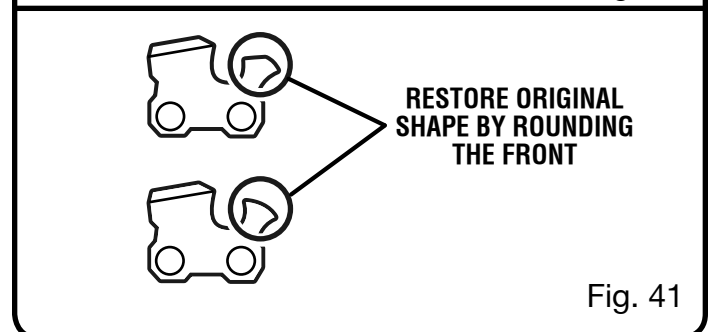
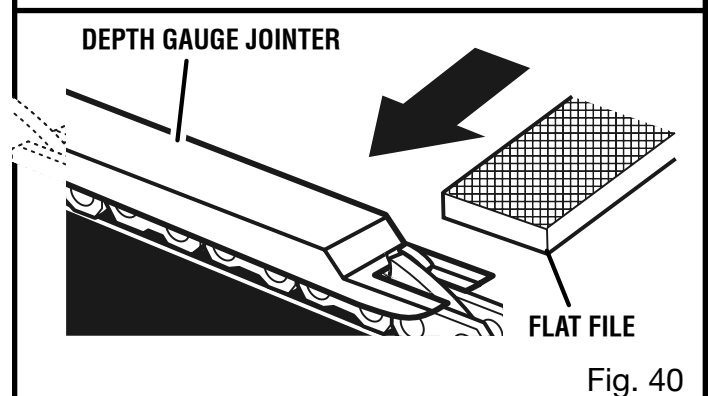
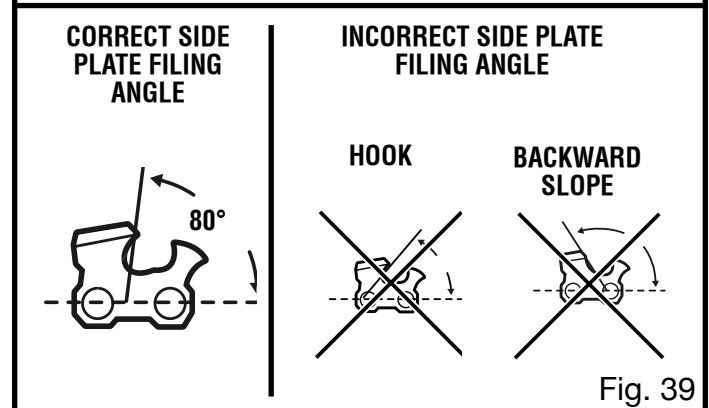
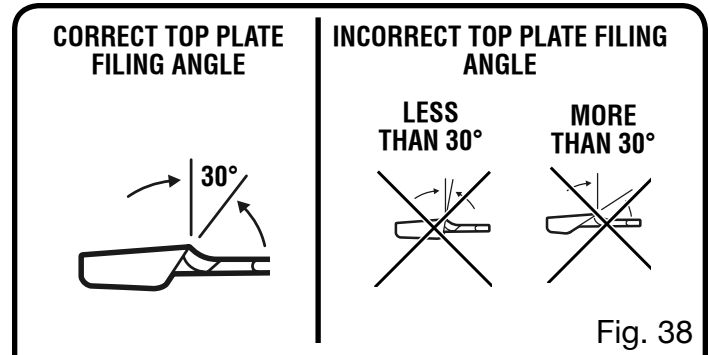
DEPTH GAUGE CLEARANCE

See Figures 40 - 41.

- The depth gauge should be maintained at a clearance of .025 in. Use a depth gauge tool for checking the depth gauge clearances.
- Every time the chain is filed, check the depth gauge clearance.

Use a flat file and a depth gauge jointer to lower all gauges uniformly. Depth gauge jointers are available in .020 in. to .035 in. Use a .025 in. depth gauge jointer. After lowering each depth gauge, restore original shape by rounding the front. Be careful not to damage adjoining drive links with the edge of the file.

Depth gauges must be adjusted with the flat file in the same direction the adjoining cutter was filed with the round file. Use care not to contact cutter face with flat file when adjusting depth gauges.



MAINTENANCE

MAINTAINING THE GUIDE BAR

See Figure 42.

⚠ CAUTION:

Make sure the chain has stopped and the battery pack has been removed before you do any work on the saw to avoid possible injury.

Proper maintenance will maximize the useful life of the guide bar.

Each day of use:

Clean the bar and check for wear and damage. Feathering or burring of the bar rails is a normal process of bar wear, but such faults should be smoothed with a file as soon as they occur.

Each week of use:

- Reverse the guide bar on the saw to distribute the wear.
- Lubricate the socket at the end of the guide bar using a grease syringe in the lubricating hole.
- Turn the guide bar and check that the lubrication holes and chain groove are free from impurities.

A bar with any of the following faults should be replaced immediately:

- Wear inside the bar rails that permits the chain to lay over sideways
- Bent guide bar
- Cracked or broken rails
- Spread rails

TRANSPORTING AND STORING

See Figure 43.

⚠ WARNING:

Always remove the battery pack before transporting or storing chain saw. Place battery pack indoors in a dry, secure location out of the reach of children when storing. Failure to follow these instructions may lead to accidental starting or unauthorized use and result in serious personal injury.

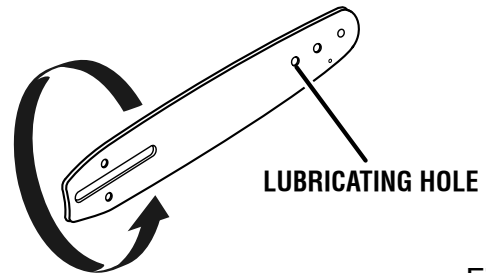


Fig. 42

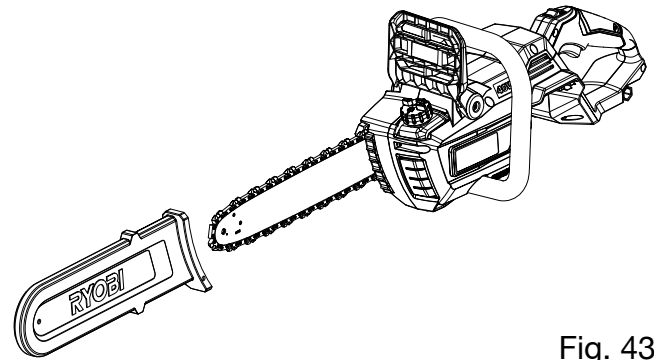


Fig. 43

- Do not store or transport the chain saw when it is running. The chain saw should always be idle before storing or transporting.
- Always place the guide bar scabbard on the bar and chain before storing or transporting the chain saw. Use caution to avoid the sharp teeth of the chain.
- Clean the chain saw thoroughly before storing. Store the chain saw indoors, in a dry place that is locked and/or inaccessible to children.
- Keep away from corrosive agents such as garden chemicals and de-icing salts.

BAR AND CHAIN COMBINATIONS

Chain specifications: 3/8 in. pitch, low profile narrow kerf, .050 in. chain gauge, 6-tooth drive sprocket.

Length of Bar	Guide Bar Part Number	Chain Part Number	Drive Links
14 in.	314675001	682006004	52

TROUBLESHOOTING

PROBLEM	CAUSE	SOLUTION
Bar and chain running hot and smoking.	<ol style="list-style-type: none"> 1. Check chain tension for over tight condition. 2. Chain oil tank empty. 	<ol style="list-style-type: none"> 1. Tension chain. Refer to Chain Tension earlier in this manual. 2. Check oil tank.
Motor runs, but chain is not rotating.	<ol style="list-style-type: none"> 1. Chain tension too tight. 2. Check guide bar and chain assembly. 3. Check guide bar and chain for damage. 	<ol style="list-style-type: none"> 1. Retension chain, Refer to Chain Tension earlier in this manual. 2. Refer to Assembling the Bar and Chain earlier in this manual. 3. Inspect guide bar and chain for damage.



CALL US FIRST

For any questions about operating or maintaining your product, call the RYOBI Help Line!
Your product has been fully tested prior to shipment to ensure your complete satisfaction.

**This product has a Five-year Limited Warranty for personal, family, or household use (90 days for business or commercial use).
For warranty details, visit www.ryobitools.com
or call (toll free) 1-800-860-4050.**

AVERTISSEMENTS RÈGLES DE SÉCURITÉ RELATIVES AUX OUTILS ÉLECTRIQUES



AVERTISSEMENT

Lire tous les avertissements et toutes les instructions. Ne pas suivre l'ensemble des avertissements et des instructions peut entraîner une électrocution, un incendie ou des blessures graves.

Conserver les avertissements et les instructions à des fins de référence ultérieure. Le terme « outil motorisé », utilisé dans tous les avertissements ci-dessous désigne tout outil fonctionnant sur secteur (câblé) ou sur piles (sans fil).

SÉCURITÉ DU LIEU DE TRAVAIL

- **Garder le lieu de travail propre et bien éclairé.** Les endroits encombrés ou sombres sont propices aux accidents.
- **Ne pas utiliser d'outils électriques dans des atmosphères explosives, par exemple en présence de liquides, gaz ou poussières inflammables.** Les outils électriques produisent des étincelles risquant d'enflammer les poussières ou vapeurs.
- **Garder les enfants et badauds à l'écart pendant l'utilisation d'un outil électrique.** Les distractions peuvent causer une perte de contrôle.

SÉCURITÉ ÉLECTRIQUE

- **Les fiches des outils électriques doivent correspondre à la prise secteur utilisée. Ne jamais modifier la fiche, de quelque façon que ce soit. Ne jamais utiliser d'adaptateurs de fiche avec des outils mis à la terre.** Les fiches et prises non modifiées réduisent le risque de choc électrique.
- **Éviter tout contact du corps avec des surfaces mises à la terre, telles que tuyaux, radiateurs, cuisinières et réfrigérateurs.** Le risque de choc électrique est accru lorsque le corps est mis à la terre.
- **Ne pas exposer les outils électriques à l'eau ou l'humidité.** La pénétration d'eau dans ces outils accroît le risque de choc électrique.

- **Ne pas maltraiter le cordon d'alimentation. Ne jamais utiliser le cordon d'alimentation pour transporter l'outil et ne jamais débrancher ce dernier en tirant sur le cordon. Garder le cordon à l'écart de la chaleur, de l'huile, des objets tranchants et des pièces en mouvement.** Un cordon endommagé ou emmêlé accroît le risque de choc électrique.
- **Pour les travaux à l'extérieur, utiliser un cordon spécialement conçu à cet effet.** Utiliser un cordon conçu pour l'usage extérieur pour réduire les risques de choc électrique.
- **S'il est nécessaire d'utiliser l'outil électrique dans un endroit humide, employer un dispositif interrupteur de défaut à la terre (GFCI).** L'utilisation d'un GFCI réduit le risque de décharge électrique.

SÉCURITÉ PERSONNELLE

- **Rester attentif, prêter attention au travail et faire preuve de bon sens lors de l'utilisation de tout outil électrique. Ne pas utiliser cet outil en état de fatigue ou sous l'influence de l'alcool, de drogues ou de médicaments.** Un moment d'inattention pendant l'utilisation d'un outil électrique peut entraîner des blessures graves.
- **Utiliser l'équipement de sécurité. Toujours porter une protection oculaire.** L'équipement de sécurité, tel qu'un masque filtrant, de chaussures de sécurité, d'un casque ou d'une protection auditive, utilisé dans des conditions appropriées réduira le risque de blessures.
- **Éviter les démarrages accidentels. S'assurer que le commutateur est en position d'arrêt avant de brancher l'outil.** Porter un outil avec le doigt sur son commutateur ou brancher un outil dont le commutateur est en position de marche peut causer un accident.
- **Retirer les clés de réglage avant de mettre l'outil en marche.** Une clé laissée sur une pièce rotative de l'outil peut causer des blessures.
- **Ne pas travailler hors de portée. Toujours se tenir bien campé et en équilibre.** Ceci permettra de mieux contrôler l'outil en cas de situation imprévue.

AVERTISSEMENTS RÈGLES DE SÉCURITÉ RELATIVES AUX OUTILS ÉLECTRIQUES

- **Porter une tenue appropriée. Ne porter ni vêtements amples, ni bijoux. Garder les cheveux, les vêtements et les gants à l'écart des pièces en mouvement.** Les vêtements amples, bijoux et cheveux longs peuvent se prendre dans les pièces en mouvement.
- **Si les outils sont équipés de dispositifs de dépoussiérage, s'assurer qu'ils sont connectés et correctement utilisés.** L'usage de ces dispositifs de dépoussiérage peut réduire les dangers présentés par la poussière.

UTILISATION ET ENTRETIEN DES OUTILS ÉLECTRIQUES

- **Ne pas forcer l'outil. Utiliser l'outil approprié pour l'application.** Un outil approprié exécutera le travail mieux et de façon moins dangereuse s'il est utilisé dans les limites prévues.
- **Ne pas utiliser l'outil si le commutateur ne permet pas de le mettre en marche ou de l'arrêter.** Tout outil qui ne peut pas être contrôlé par son commutateur est dangereux et doit être réparé.
- **Débrancher l'outil et/ou retirer le bloc-piles avant d'effectuer des réglages, de changer d'accessoire ou de remiser l'outil.** Ces mesures de sécurité préventives réduisent les risques de démarrage accidentel de l'outil.
- **Ranger les outils motorisés hors de la portée des enfants et ne laisser personne n'étant pas familiarisé avec l'outil ou ces instructions utiliser l'outil.** Dans les mains de personnes n'ayant pas reçu des instructions adéquates, les outils sont dangereux.
- **Entretenir les outils motorisés. Vérifier qu'aucune pièce mobile n'est mal alignée ou bloquée, qu'aucune pièce n'est brisée et s'assurer qu'aucun autre problème ne risque d'affecter le bon fonctionnement de l'outil.** En cas de dommages faire réparer l'outil avant de l'utiliser de nouveau. Beaucoup d'accidents sont causés par des outils mal entretenus.
- **Garder les outils bien affûtés et propres.** Des outils correctement entretenus et dont les tranchants sont bien affûtés risquent moins de se bloquer et sont plus faciles à contrôler.
- **Utiliser l'outil, les accessoires et embouts, etc. conformément à ces instructions pour les applications pour lesquelles ils sont conçus, en tenant compte des conditions et du type de travail à exécuter.** L'usage d'un outil motorisé pour des applications pour lesquelles il n'est pas conçu peut être dangereux.

UTILISATION ET ENTRETIEN DE LA PILE

- **Ne recharger qu'avec l'appareil spécifié par le fabricant.** Un chargeur approprié pour un type de pile peut créer un risque d'incendie s'il est utilisé avec un autre type de pile.
- **Utiliser exclusivement le bloc-pile spécifiquement indiqué pour l'outil.** L'usage de tout autre bloc peut créer un risque de blessures et d'incendie.
- **Lorsque le bloc-piles n'est pas en usage, le garder à l'écart d'articles tels qu'attaches trombones, pièces de monnaie, clous, vis ou autres petits objets métalliques risquant d'établir le contact entre les deux bornes.** La mise en court-circuit des bornes de piles peut causer des étincelles, des brûlures ou un incendie.
- **En cas d'usage abusif, du liquide peut s'échapper des piles. Éviter tout contact avec ce liquide. En cas de contact accidentel, rincer immédiatement les parties atteintes avec de l'eau. En cas d'éclaboussure dans les yeux consulter un médecin.** Le liquide s'échappant des piles peut causer des irritations ou des brûlures.
- Arrêter le moteur, attendre que toutes les pièces en mouvement cessent de bouger et retirer le bloc-piles avant tout nettoyage ou entretien.
- **Ne jamais utiliser de l'eau ou une autre liquide pour nettoyer ou rincer la produit et n'exposez pas à la pluie ou conditions l'humidité. La remiser à l'intérieur dans un endroit sec.** Les liquides corrosifs, l'eau et les produits chimiques peuvent s'infiltrer dans le composants électroniques et/ou le compartiment de la pile et endommager les composants électroniques et/ou le bloc-pile, ce qui peut entraîner un court-circuit, augmenter le

AVERTISSEMENTS RÈGLES DE SÉCURITÉ RELATIVES AUX OUTILS ÉLECTRIQUES

risque d'incendie ou des blessures corporelles graves. Enlever toute accumulation de la saleté et les débris sur la produit de temps en temps avec un linge sec.

DÉPANNAGE

- **Les réparations doivent être confiées à un technicien qualifié, utilisant exclusivement des pièces identiques à celles d'origine.** Ceci assurera le maintien de la sécurité de l'outil.

- **Utiliser exclusivement des pièces identiques à celles d'origine pour les réparations. Se conformer aux instructions de la section Entretien de ce manuel.** L'usage de pièces non autorisées ou le non-respect des instructions peut présenter des risques de choc électrique ou de blessures.

AVERTISSEMENTS DE SÉCURITÉ RELATIFS AU SCIE À CHAÎNE

- **Éloigner toutes les parties du corps de la scie à chaîne pendant que cette dernière fonctionne. Avant de démarrer la scie à chaîne, s'assurer que la scie à chaîne n'est pas en contact avec aucun objet.** Un moment d'inattention pendant l'utilisation de la scie à chaîne peut causer l'enchevêtrement des vêtements ou toucher le corps.
- **Toujours tenir la scie à chaîne en plaçant la main droite sur la poignée arrière et la main gauche sur la poignée avant.** Tenir la scie à chaîne en inversant cette configuration des mains augmente le risque de blessures et ne devrait jamais être faite.
- **Tenir l'outil électrique seulement par les surfaces de prises isolées, car la scie à chaîne peut toucher des câbles sous tension.** Le contact d'une scie à chaîne avec un fil sous tension peut exposer les pièces métalliques de l'outil électrique et électrocuter l'utilisateur.
- **Porter des lunettes de sécurité et d'un serre-tête antibruit. De plus, un équipement de protection pour la tête, les mains, les jambes et les pieds est recommandé.** Des vêtements de protection adéquats réduiront le risque de blessures causées par les objets projetés ou le contact accidentel avec la scie à chaîne.
- **Ne jamais utiliser une scie à chaîne en se tenant perché dans un arbre.** L'utilisation d'une scie à chaîne en se tenant perché dans un arbre peut causer des blessures.
- **Toujours garder les pieds bien appuyés et faire fonctionner la scie à chaîne seulement lorsque les pieds sont sur une surface fixe, sécuritaire et à niveau.** Les surfaces glissantes ou instables, comme les échelles, représentent un risque de déséquilibre et de perte de contrôle de la scie à chaîne.
- **Pendant la coupe d'une branche tendue, prendre garde au rebond.** Lorsque la tension des fibres du bois est relâchée, la branche tendue peut frapper l'utilisateur et/ou provoquer la perte de contrôle de la scie à chaîne.
- **Être très prudent lors de la coupe de buissons ou de jeunes arbres.** Les branches fines peuvent se coincer dans la scie à chaînes et fouetter en direction de l'utilisateur et lui faire perdre l'équilibre.
- **Transporter la scie à chaîne par la poignée avant, avec l'interrupteur positionné à OFF (éteint) et éloignée du corps. Toujours installer le couvercle du guide-chaîne pour transporter ou ranger la scie à chaîne.** Une manipulation adéquate de la scie à chaîne réduira le contact accidentel habituel occasionné par le mouvement de la scie à chaîne.
- **Suivre les instructions de lubrification, de tension de chaîne et de changement d'accessoires.** Une tension ou une lubrification inadéquate de la chaîne peut provoquer son bris ou augmenter le risque de rebond.
- **Garder les poignées sèches, propres et exemptes d'huile ou de graisse.** Les poignées graisseuses ou huileuses sont glissantes et peuvent provoquer une perte de contrôle.

AVERTISSEMENTS DE SÉCURITÉ RELATIFS AU SCIE À CHAÎNE

- **Couper seulement du bois. Ne pas utiliser la scie à chaîne pour des applications pour lesquelles elle n'est pas conçue. Par exemple : ne pas utiliser la scie à chaîne pour couper du plastique, de la maçonnerie ou des matériaux de construction non dérivés du bois.** L'utilisation de la scie à chaîne pour des opérations autres que celles prévues représente un risque de situation dangereuse.

CAUSES DU REBOND ET PRÉCAUTIONS À PRENDRE

Le rebond peut survenir lorsque le nez ou la pointe du guide-chaîne touche un objet ou lorsque le bois se referme et se pince pendant la coupe de la scie à chaîne.

Dans certains cas, le contact de la pointe avec un objet peut causer une réaction inverse soudaine, projetant le guide-chaîne vers le haut et l'arrière, en direction de l'opérateur.

Le pincement de la chaîne au haut du guide-chaîne peut causer une projection rapide de la lame en arrière, en direction de l'utilisateur.

Chacune de ces deux réactions peut entraîner la perte de contrôle de la scie et causer des blessures graves. Ne pas se fier exclusivement aux dispositifs de sécurité intégrés à la scie. L'utilisateur de la scie à chaîne doit prendre un certain nombre de précautions pour éviter les accidents et les blessures.

Le rebond est causé par une utilisation et/ou des méthodes de travail incorrectes et il peut être évité en prenant les précautions suivantes :

- **Conserver une prise ferme en plaçant les pouces et les doigts autour des poignées de la scie à chaîne, en gardant les deux mains sur la scie et en positionnant le corps et le bras de manière à résister à la force du rebond.** S'il prend les précautions nécessaires, l'utilisateur peut contrôler la force du rebond. Ne pas échapper la scie à chaîne.
- **Ne pas étirer le corps et ne pas faire de coupe au-dessus de la poitrine.** Ceci aidera à prévenir le contact involontaire de la pointe et procurera un meilleur contrôle de la scie à chaîne lors de situations inattendues.
- **Utiliser seulement les guide-chaîne et les chaînes de rechange mentionnées par le fabricant.** Le remplacement des guide-chaîne

et de chaînes inadéquates peut provoquer le bris et le rebond de la chaîne.

- **Suivre les instructions d'affûtage et d'entretien fournies par le fabricant de la scie à chaîne.** La diminution du limiteur de profondeur augmente le risque de rebond.
- Ne pas commencer à couper avant d'avoir déblayé la zone de travail, d'être bien campé et d'avoir prévu une trajectoire pour échapper à l'arbre en train de s'abattre. Les endroits encombrés sont propices aux accidents.
- Tenir TOUS les autres travailleurs, enfants, badauds et animaux domestiques à distance sécuritaire de la zone de travail. Ne pas laisser les visiteurs toucher la scie à chaîne ou son cordon d'alimentation.
- Ne pas utiliser de scie à chaîne dans des atmosphères explosives, par exemple en présence de liquides, gaz ou poussières inflammables. Les scie à chaîne produisent des étincelles risquant d'enflammer les poussières ou vapeurs.
- Porter une tenue appropriée – Porter des vêtements bien ajustés. Toujours porter une combinaison, des jeans, des manches longs, des jambières en tissu résistant ou dotés de pièces résistantes aux coupures. Porter des chaussures de sécurité antidérapantes. Porter des gants épais pour assurer une bonne prise et protéger les mains. Ne pas porter de bijoux, shorts, sandales et ne pas travailler pieds nus. Ne pas porter des vêtements amples qui pourraient être happés dans le moteur ou se prendre dans la chaîne ou les broussailles. Attacher les cheveux longs pour les maintenir au-dessus des épaules. Porter une protection auditive et un casque.
- Le port d'un vêtement de protection lourd peut accroître la fatigue chez l'utilisateur et lui occasionner un coup de chaleur. Par temps chaud et humide, les travaux exigeants devraient être planifiés en début de matinée ou à la fin de la journée, lorsque le temps est plus frais.
- Porter une protection oculaire avec écrans latéraux certifiée conforme à la norme ANSI Z87.1, ainsi qu'une protection auditive et un casque lors de l'utilisation de cet outil.

AVERTISSEMENTS DE SÉCURITÉ RELATIFS AU SCIE À CHAÎNE

- Toujours se concentrer sur le travail lors de l'utilisation de cette scie à chaîne. Faire preuve de bon sens. Ne pas utiliser cette scie en état de fatigue, si l'on est souffrant ou sous l'influence de l'alcool, de drogues ou de médicaments.
 - Ne pas exposer la scie à chaîne à la pluie.
 - Ne pas utiliser la scie dans des endroits humides ou mouillés.
 - Rester vigilant et être attentif au travail. Utiliser l'outil avec bon sens.
 - Garder toutes les parties du corps à l'écart de la scie à chaîne lorsque le moteur tourne.
 - Ne jamais laisser quiconque n'ayant pas reçu des instructions d'utilisation appropriées utiliser la scie. Cette règle s'applique aux scies de location aussi bien qu'à celles appartenant à des particuliers.
 - Avant de lancer le moteur, s'assurer que la chaîne n'est en contact avec aucun objet.
 - Arrêter le moteur avant de poser la scie.
 - Pour éviter un démarrage accidenter, ne jamais transporter l'outil avec le doigt sur la gâchette.
 - Entretenir soigneusement l'outil. Garder l'outil bien affûté et propre, pour obtenir des performances optimales et réduire les risques d'accident. Suivre les instructions de lubrification et de changement d'accessoires.
 - Ne pas tenir la scie d'une seule main ! La tenir fermement, les doigts et pouces encerclant les poignées. Ceci exposerait l'utilisateur, les autres travailleurs et toutes les personnes présentes à des risques de blessure grave. Les scies à chaîne sont conçues pour être utilisées à deux mains.
 - Se protéger contre les décharges électriques – Éviter tout contact du corps avec des surfaces mises à la terre, telles que tuyaux métalliques et palissades grillagées. Le risque de choc électrique est accru lorsque le corps est mis à la terre.
 - Ne jamais utiliser une scie à chaîne endommagée, incorrectement réglée ou pas complètement et solidement assemblée. La chaîne doit ralentir jusqu'à l'arrêt lorsque la gâchette est relâchée. Si la chaîne continue de tourner une fois la gâchette relâchée, faire réparer la scie au centre de réparations agréé le plus proche.
 - Vérifier l'état des pièces. Vérifier l'alignement des pièces mobiles, s'assurer qu'aucune pièce n'est bloquée ou cassée, vérifier la fixation de chaque pièce et s'assurer qu'aucun autre problème ne risque d'affecter le bon fonctionnement de l'outil.
 - Tous les entretiens et dépannages, autres que ceux décrits dans le manuel d'utilisation doivent être confiés au centre de réparations agréé.
 - Toujours se tenir bien campé.
 - Ne pas utiliser l'outil si le commutateur ne permet pas de le mettre en marche et de l'arrêter. Faire remplacer les commutateurs défectueux dans un centre de réparations agréé.
 - Ne pas adapter le bloc-moteur à un guide à archet, ni l'utiliser pour entraîner des accessoires non spécifiés pour la scie.
 - Débrancher la scie à chaîne de la source de courant lorsqu'elle n'est pas utilisée, avant son entretien et lors de réglages et du changement d'accessoires, tels que la garde et la chaîne de la scie.
 - Ne pas couper de lianes ou de petites broussailles.
 - Ne pas travailler en se tenant dans un arbre, sur une échelle, toit ou un échaffaudage, ou autre support instable, ce qui est extrêmement dangereux.
- NOTE :** La taille de la zone de travail dépend du type de sciage effectué ainsi que de la taille de l'arbre ou de la pièce à débiter. Par exemple, l'abattage d'un arbre exige une zone de travail plus grande que le tronçonnage de branches.
- Ne pas forcer la scie. Un outil exécutera le travail mieux et de façon moins dangereuse s'il fonctionne dans les limites prévues.
 - Toujours utiliser l'outil adéquat pour le travail. La scie à chaîne ne doit être utilisée que pour couper du bois. Ne jamais l'utiliser pour couper du plastique, du béton ou des matériaux autres que le bois.
 - Remiser la scie à chaîne lorsqu'elle n'est pas en usage. La remiser dans un endroit sec, en hauteur ou sous clé, hors de la portée des enfants. Avant de remiser la chaîne, installer le fourreau sur le guide et la chaîne ou placer la scie dans un étui de transport.

AVERTISSEMENTS DE SÉCURITÉ RELATIFS AU SCIE À CHAÎNE

- Utiliser ce produit seulement avec les piles et les chargeurs indiqués dans le supplément de raccordement pour chargeur/outils/piles/appareil n° 988000-842.
- Les outils fonctionnant sur piles n'ayant pas besoin d'être branchés sur une prise secteur, ils sont toujours en état de fonctionnement. Rester conscient des dangers lorsque l'outil n'est pas en usage.
- Retirer le bloc de batteries avant tout réglage, nettoyage, remisage ou débloqué, lors du remplacement d'accessoires tels que le guide et la chaîne et lorsque l'outil n'est pas en usage.

REBOND

Voir les figures 1 à 3.



AVERTISSEMENT :

Le rebond se produit lorsque la chaîne en rotation heurte un objet dans la partie supérieure de l'extrémité du guide ou lorsque l'entaille du bois se referme et pince la chaîne dans le bois. Le contact de la partie supérieure de l'extrémité du guide peut faire plonger la chaîne dans le bois et la bloquer pendant un instant. Il en résulte une réaction fulgurante, projetant le guide vers le haut et l'arrière, en direction de l'utilisateur. Le pincement de la chaîne sur la partie supérieure du guide peut causer une projection violente de la barre vers l'arrière, en direction de l'utilisateur. Ces réactions peuvent faire perdre le contrôle de la scie et entraîner des blessures graves. Ne pas se fier exclusivement sur les dispositifs de sécurité intégrés à la scie. L'utilisateur d'une scie à chaîne doit prendre un certain nombre de précautions pour éviter les accidents et blessures.

■ Pour minimaliser le risque de rebond, prendre les précautions suivantes :

- Toujours tenir la scie fermement, à deux mains. Toujours maintenir la scie fermement à deux mains lorsque le moteur tourne. Placer la main droite sur la poignée arrière et la main gauche sur la poignée avant, le pouce et les autres doigts solidement refermés sur les deux poignées. Une prise ferme, bras gauche tendu facilite le contrôle de la scie en cas de rebond.

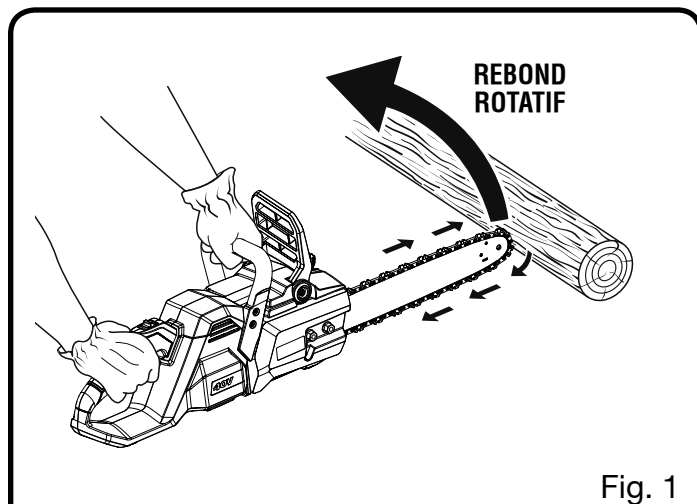


Fig. 1

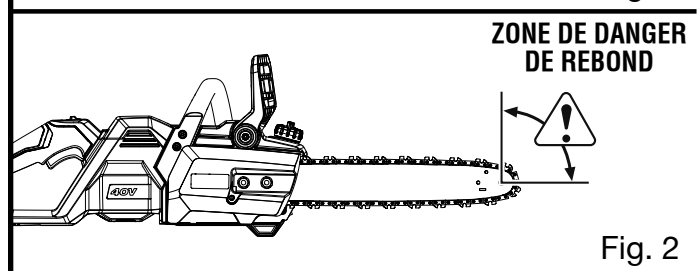


Fig. 2

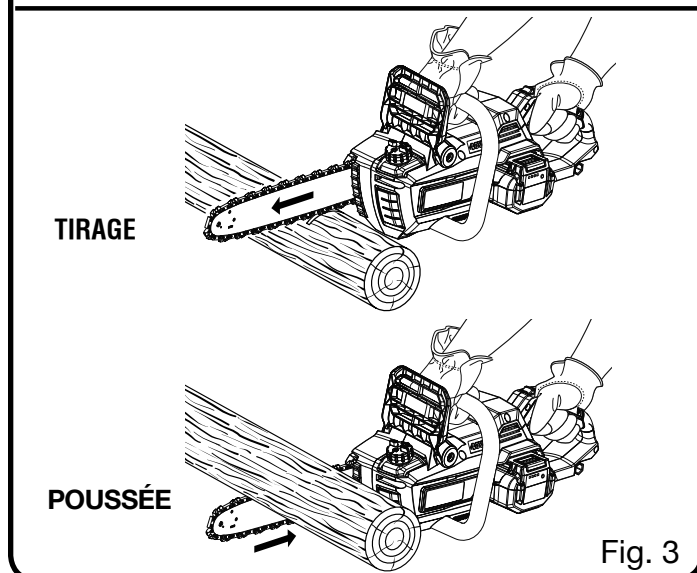


Fig. 3

- S'assurer que l'endroit où la scie est utilisée est dépourvu de tout obstacle. Ne pas laisser l'extrémité du guide entrer en contact avec une bille, une branche, une palissade ou tout autre obstacle risquant d'être heurté pendant le sciage.
- Toujours couper avec le moteur tournant à sa vitesse maximum. Serrer la gâchette d'accélérateur à fond et maintenir une vitesse de coupe constante.

AVERTISSEMENTS DE SÉCURITÉ RELATIFS AU SCIE À CHAÎNE

- Utiliser des pièces de rechange telles que chaînes à faible rebond, freins de chaîne et guides spéciaux réduisant les risques de rebond. Utiliser exclusivement les guides et chaînes à faible rebond spécifiés par le fabricant pour la scie.
- Une compréhension élémentaire du rebond peut réduire ou éliminer l'élément de surprise. Les surprises sont favorables aux accidents.
- Ne pas travailler hors de portée. Toujours se tenir bien campé et en équilibre.
- Ne pas travailler hors de portée ni couper au-dessus de la hauteur de la poitrine. Ne pas laisser l'extrémité du guide entrer en contact avec une bille, une branche, la terre ou tout autre obstacle risquant d'être heurté pendant le travail.
- Suivre les instructions d'affûtage et d'entretien fournies par le fabricant de la chaîne.
- Poussée et tirage – La force de réaction s'exerce toujours dans le sens opposé à la rotation de la chaîne, au point de contact avec le bois. Par conséquent, l'opérateur doit être prêt à contrôler la TIRAGE lorsque la coupe est effectuée avec le bas du guide et la POUSSÉE lorsque la coupe est effectuée avec le haut du guide. *Voir la figure 3.*

COMPRÉHENSION DES DISPOSITIFS DE SÉCURITÉ DE LA SCIE À CHAÎNE

CHAÎNE À REBOND RÉDUIT

Les limiteurs d'épaisseur de copeaux placés en avant de chaque gouge peuvent réduire la force de

réaction du rebond en empêchant les gorges de mordre trop profondément dans la zone de rebond. Utiliser exclusivement des chaînes de rechange équivalentes à celle d'origine ou certifiées « rebond réduit » selon ANSI B175.1.

Une scie à chaîne est considérée comme étant à rebond réduit lorsqu'elle répond aux spécifications ANSI B175.1 de 2012 (norme nationale américaine pour les outils motorisés – Exigences de sécurité pour scies à chaîne à moteur à essence). Les tests ont été effectués sur des échantillons de scies à chaîne de moins de 3,8 cc, conformément aux directives ANSI B175.1 de 2012.

À mesure qu'une chaîne est affûtée au cours de sa vie utile, elle perd une partie de ses qualités antirebond. Il convient donc de l'utiliser avec une prudence accrue.

GUIDES




En général, les guides à extrémité de faible rayon présentent une moindre tendance au rebond.

Lors du remplacement, veiller à utiliser l'un des guides RYOBI indiqués pour la scie dans ce manuel d'utilisation.







- **Conserver ces instructions.** Les consulter fréquemment et les utiliser pour instruire les autres utilisateurs éventuels. Si cet produit est prêté, il doit être accompagné de ces instructions.

SYMBOLES

Les termes de mise en garde suivants et leur signification ont pour but d'expliquer le degré de risques associé à l'utilisation de ce produit.





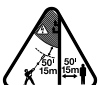


SYMBOLE	SIGNAL	SIGNIFICATION
	DANGER :	Indique une situation dangereuse qui, si elle n'est pas évitée, aura pour conséquences des blessures graves ou mortelles.
	AVERTISSEMENT :	Indique une situation dangereuse qui, si elle n'est pas évitée, pourrait entraîner des blessures graves ou mortelles.
	ATTENTION :	Indique une situation dangereuse qui, si elle n'est pas évitée, pourrait entraîner des blessures légères ou de gravité modérée.
	AVIS :	(Sans symbole d'alerte de sécurité) Indique les informations jugées importantes sans toutefois représenter un risque de blessure (ex. : messages concernant les dommages matériels).

Certains des symboles ci-dessous peuvent être utilisés sur ce produit. Veiller à les étudier et à apprendre leur signification. Une interprétation correcte de ces symboles permettra d'utiliser ce produit plus efficacement et de réduire les risques.

SYMBOLE	NOM	DÉSIGNATION/EXPLICATION
	Symbole d'alerte de sécurité	Indique un risque de blessure potentiel.
	Lire le manuel d'utilisation	Pour réduire les risques de blessures, l'utilisateur doit lire et veiller à bien comprendre le manuel d'utilisation avant d'utiliser ce produit.
	Protections oculaire, auditive et casque	Porter une protection oculaire avec écrans latéraux certifiée conforme à la norme ANSI Z87.1, ainsi qu'une protection auditive et un casque lors de l'utilisation de cet outil.
	Avertissement concernant l'humidité	Ne pas exposer la pile, le compartiment de la pile, ou les composants électroniques à la pluie, l'eau ou d'autres liquides.
	Tenir la scie à deux mains	Tenir la scie à deux mains et l'utiliser correctement.
	Une main	Ne pas tenir la scie d'une seule main.

SYMBOLES

Certains des symboles ci-dessous peuvent être utilisés sur ce produit. Veiller à les étudier et à apprendre leur signification. Une interprétation correcte de ces symboles permettra d'utiliser ce produit plus efficacement et de réduire les risques.

SYMBOLE	NOM	DÉSIGNATION / EXPLICATION
	Rebond	DANGER ! ATTENTION AUX REBONDS.
	Contact avec l'extrémité du guide	Éviter tout contact avec l'extrémité du guide.
	Gants	Porter des gants épais antidérapants lors de l'utilisation de la scie à chaîne.
	Chaussures de sécurité	Porter des chaussures de travail à semelle antidérapante lors de l'utilisation de l'outil.
	La tenir à l'écart de lignes électriques et ne laisser personne s'approcher	DANGER ! Risque d'électrocution ! Ne pas travailler à moins de 15m (50 pi) de lignes électriques. Pour l'abattage, garder les badauds et animaux domestiques à une distance de 15 m (50 pi) minimum ou au moins deux fois la taille de l'arbre le plus grand se trouvant dans la zone de coupe.
	Huile là où indiqué	Verser le lubrifiant de chaîne et barre dans le réservoir d'huile là où indiqué. Ne pas utiliser aucun autre liquide.
	Symbole de recyclage	Ce produit utilise les piles de lithium-ion. Les réglementations locales ou gouvernementales peuvent interdire de jeter les piles dans les ordures ménagères. Consulter les autorités locales compétentes pour les options de recyclage et/ou l'élimination.
V	Volts	Tension
≡	Courant continu	Type ou caractéristique du courant

GLOSSAIRE

Tronçonnage

Coupe transversale d'un arbre abattu ou d'une bille de bois pour le débiter en tronçons.

Bloc moteur de scie à chaîne

Scie à chaîne sans la chaîne et le guide.

Pignon d'entraînement

Roue dentée entraînant la chaîne.

Abattage

Opération de coupe d'un arbre pour le faire tomber.

Entaille d'abattage

Entaille finale d'une opération d'abattage, pratiquée à l'opposé de l'entaille de dessous.

Garde avant de main

Barrière structurelle placée entre la poignée avant et le guide de chaîne de la scie, se trouvant généralement près de la position de la main sur la poignée avant.

Poignée avant

Poignée de maintien placée à l'avant de la scie à chaîne. Cette poignée est pour la main gauche.

Guide de chaîne

Structure rigide, dotée d'un rail de support et guidage de la chaîne.

Rebond

Mouvement du guide vers le haut ou vers l'arrière se produisant lorsque la chaîne heurte un objet, tel qu'une bille de bois ou une branche, dans la partie supérieure de l'extrémité du guide, ou lorsque l'entaille se referme et pince la chaîne dans le bois.

Rebond (pincement)

Recul brutal de la scie se produisant lorsque le bois de l'entaille se referme, sur la chaîne en rotation dans la partie supérieure du guide.

Rebond (rotatif)

Mouvement brutal de la scie vers le haut et l'arrière pouvant se produire lorsque la chaîne en rotation heurte un objet, tel qu'une bille de bois ou une branche, dans la partie supérieure de l'extrémité du guide.

Bouton de verrouillage de gâchette

Butée articulée empêchant d'actionner accidentellement le commutateur tant qu'il n'est pas manuellement actionné.

Chaîne à rebond réduit

Chaîne conforme aux normes antirebond ANSI B175.1 lorsqu'elle est testée sur des échantillons représentatifs de scies à chaîne.

Position de coupe normale

Positions utilisées pour le tronçonnage et l'abattage.

Sifflet d'abattage

Entaille permettant de diriger le sens de chute de l'arbre.

Poignée arrière

Poignée de maintien placée à l'arrière de la scie. Elle comporte généralement la commutateur. Cette poignée est pour la main droite.

Guide de chaîne à rebond réduit

Guide ayant été prouvé réduire considérablement le rebond.

Chaîne de rechange

Chaîne conforme aux normes antirebond ANSI B175.1 lorsque testée sur certaines scies. Une telle chaîne peut ne pas répondre aux exigences de performances ANSI lorsqu'elle est utilisée sur d'autres scies.

Chaîne

Une chaîne en boucle dotée de dents pour la coupe du bois, entraînée par le moteur et supportée par le guide.

Fouet

Arbuste ou branche fléchie ou bloquée sous tension. Cette pièce peut se détendre brusquement lorsqu'elle est coupée, créant une situation dangereuse.

Gâchette de commutateur

Dispositif permettant d'ouvrir ou de fermer le circuit d'alimentation du moteur de la scie à chaîne.

CARACTÉRISTIQUES

FICHE TECHNIQUE

Moteur 40 V c.c.
Longueurs de guide 355,6 mm (14 po)
Volume du réservoir de lubrifiant de chaîne 177 ml (6 oz.)

NOTE : Cette scie est conçue pour des travaux occasionnels légers et sa capacité de coupe présente certaines limites.

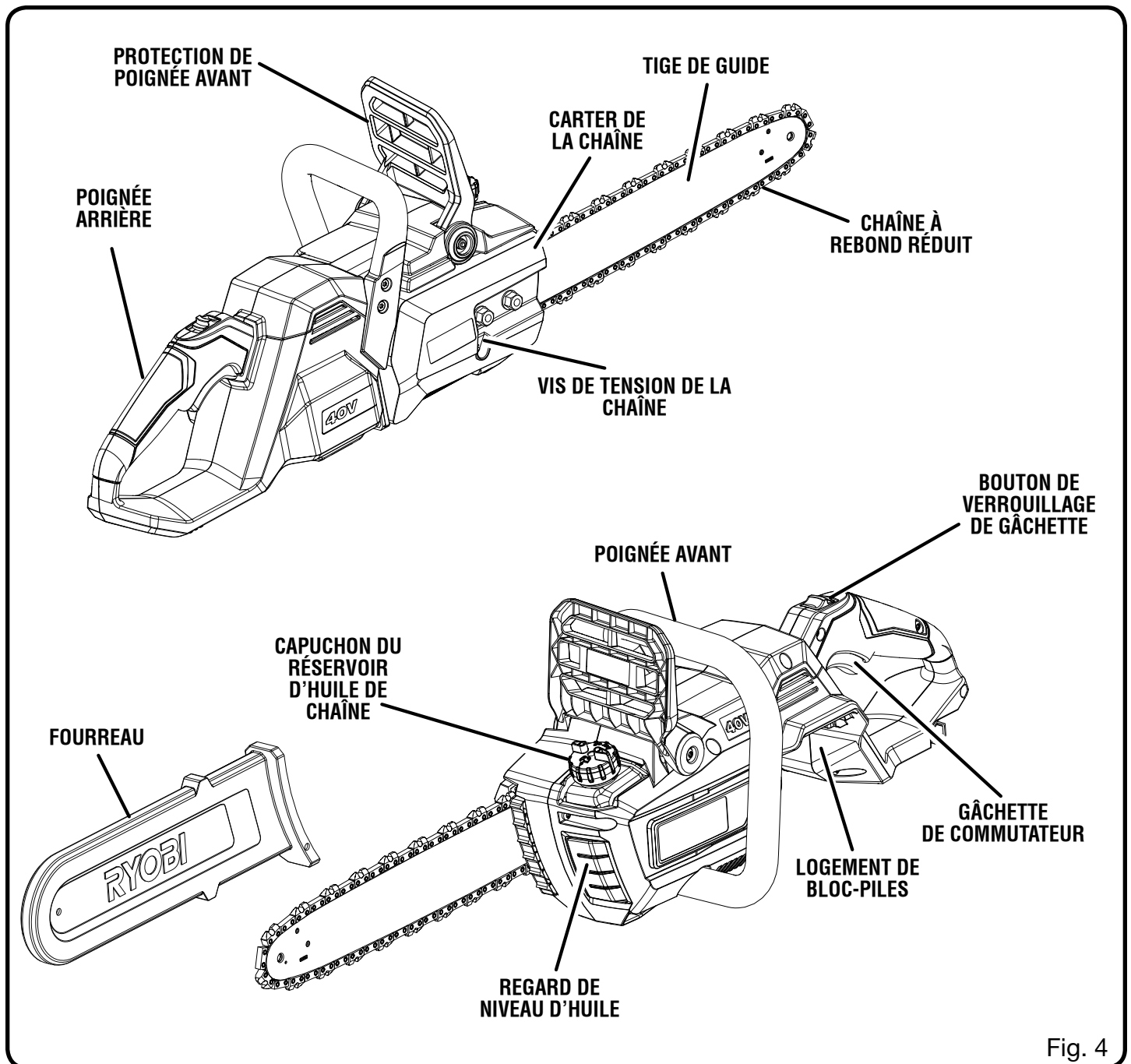


Fig. 4

CARACTÉRISTIQUES

POUR SE FAMILIARISER AVEC LA SCIE À CHAÎNE

Voir le figure 4.

L'utilisation sûre de ce produit exige une compréhension des renseignements figurant sur l'outil et contenus dans le manuel d'utilisation, ainsi qu'une bonne connaissance du projet entrepris. Avant d'utiliser ce produit, se familiariser avec toutes ses caractéristiques et règles de sécurité.

BOUTON DE TENSION DE CHAÎNE

Cette fonction permet aux utilisateurs de régler la tension de la chaîne.

GUIDE

La tête du guide installé en usine est de faible rayon, ce qui offre une moindre tendance au rebond.

VERROUILLAGE DE COMMUTATEUR

Une fonction de commande permettant d'empêcher de démarrer le moteur accidentellement.

CHAÎNE À REBOND RÉDUIT

La chaîne à rebond réduit aide à limiter la force de réaction du rebond en empêchant les dents de mordre trop profondément dans la zone de rebond.

REGARD DE NIVEAU D'HUILE

Réservoir d'huile semi-transparent permettant à l'utilisateur de voir à quel moment ajouter de l'huile.

GÂCHETTE DE COMMUTATEUR

Serrer la gâchette de commutateur pour faire fonctionner l'outil une fois le verrouillage de commutateur poussé vers l'intérieur. Relâcher la gâchette pour arrêter l'outil.

ASSEMBLAGE

DÉBALLAGE

Ce produit a été expédié complètement assemblé.

- Avec précaution, sortir le produit et les accessoires de la boîte. S'assurer que toutes les pièces figurant sur la liste de contrôle sont incluses.



AVERTISSEMENT :

Ne pas utiliser le produit si, en le déballant, vous constatez que des éléments figurant dans la **Liste de d'expédition** sont déjà assemblés. Certaines pièces figurant sur cette liste n'ont pas été assemblées par le fabricant et exigent une installation. Le fait d'utiliser un produit qui a été assemblé de façon inadéquate peut entraîner des blessures.

- Examiner soigneusement le produit pour s'assurer que rien n'a été brisé ou endommagé en cours de transport.

- Ne pas jeter les matériaux d'emballage avant d'avoir soigneusement examiné le produit et avoir vérifié qu'il fonctionne correctement.
- Si des pièces sont manquantes ou endommagées, appeler le 1-800-860-4050.

LA LISTE D'EXPÉDITION

Scie à chaîne avec fourreau

Clé mixte

Manuel d'utilisation



AVERTISSEMENT :

Si des pièces manquent ou sont endommagées, ne pas utiliser ce produit avant qu'elles aient été remplacées. Le fait d'utiliser ce produit même s'il contient des pièces endommagées ou s'il lui manque des pièces peut entraîner des blessures graves.

ASSEMBLAGE

AVERTISSEMENT :

Ne pas essayer de modifier ce produit ou de créer des accessoires non recommandés pour ce produit. De telles altérations ou modifications sont considérées comme un usage abusif et peuvent créer des conditions dangereuses, risquant d'entraîner des blessures graves.

AVERTISSEMENT :

Pour empêcher un démarrage accidentel pouvant entraîner des blessures graves, toujours déconnecter le fil de bougie de moteur de la bougie d'allumage avant d'assembler des pièces.

UTILISATION

DANGER :

Ne jamais effectuer de coupes près de cerca de lignes, lignes cordon de électriques ou de sources de courant. Si les embouteillages de barre et chaîne sur la cordon électrique ou línea, **NE PAS MANIPULER LA GUIDE OU LA CHAÎNE! ELLE PEUT ÊTRE SOUS TENSION ET DONC, EXTRÊMEMENT DANGEREUSE.** Continuer de tenir scie à chaîne par la poignée arrière isolée ou le poser à l'écart en prenant les précautions nécessaires. Mettre le circuit électrique de la ligne électrique hors tension ou débrancher le cordon endommagé avant d'essayer de débloquer la lame. Le contact avec la barre et chaîne, d'autres parties conductrices du scie à chaîne, ou des cordons ou des fils électriques sous tension entraînerait mortelles, choc électrique, ou des blessures graves.

AVERTISSEMENT :

Ne pas laisser la familiarité avec ce produit faire oublier la prudence. Ne pas oublier qu'une fraction de seconde d'inattention peut entraîner des blessures graves.

AVERTISSEMENT :

Porter une protection oculaire avec écrans latéraux certifiée conforme à la norme ANSI Z87.1, ainsi qu'une protection auditive et un casque lors de l'utilisation de cet outil. Si cette précaution n'est pas prise, des objets peuvent être projetés dans les yeux et causer des lésions graves.

AVERTISSEMENT :

Ne pas utiliser d'outils ou accessoires non recommandés par le fabricant pour ce produit. L'utilisation de pièces et accessoires non recommandés peut entraîner des blessures graves.

AVERTISSEMENT :

Ne jamais abattre un arbre ou couper des bûches ou des branches ayant un diamètre plus grand que le guide-chaîne. Seuls les professionnels bien formés peuvent exécuter ces coupes. L'exécution de ce genre de coupes peut provoquer un accident et occasionner des blessures graves ou mortelles.

UTILISATION

AVIS :

Avant chaque utilisation, inspecter au complet le produit afin de s'assurer qu'aucune pièce (vis, écrous, boulons, chapeaux, etc.) n'est endommagée, manquante ou desserrée. Serrer solidement toutes les pièces de fixation et les chapeaux et ne pas utiliser le produit tant que toutes les pièces manquantes ou endommagées n'ont pas été remplacées. Pour obtenir de l'aide, veuillez communiquer avec le service à la clientèle ou un centre de réparations qualifié.

APPLICATIONS

Ce produit peut être utilisé pour les applications ci-dessous :

- Ébranchage et émondage
- Abattage d'arbustes
- Tronçonnage des arbres abattus

RETRAIT / INSTALLATION DU BLOC-PILES

Voir la figure 5.

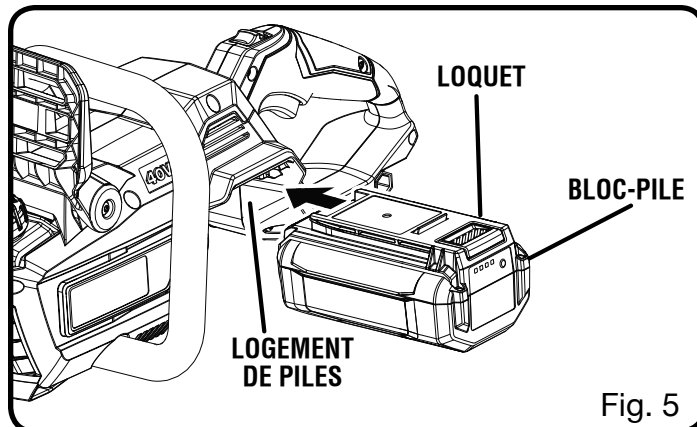
AVERTISSEMENT :

Toujours retirer la pile de l'outil au moment d'assembler des pièces, d'effectuer des réglages et de procéder au nettoyage, ou lorsque l'outil n'est pas utilisé. Le fait de retirer la pile permet d'empêcher un démarrage accidentel pouvant entraîner des blessures graves.

NOTE : Pour éviter des blessures graves, toujours retirer le bloc-piles et tenir à distance de mains le bouton de verrouillage en portant l'outil.

Installation :

- Placer le bloc-piles dans la scie. Aligner la saillie du bloc-piles sur la rainure du logement de la scie.
- S'assurer que le loquet situé au côté du bloc-piles s'enclenche correctement et que le bloc-piles est installé correctement à la scie à chaîne avant de commencer le travail.



AVERTISSEMENT :

S'assurer que le loquet du bloc-piles s'enclenche et que le bloc-piles est installé et fixé correctement au bloc moteur avant de commencer le travail. Ne pas installer et fixer correctement le bloc-piles peut provoquer la chute de ce dernier et occasionner des blessures graves.

Retrait :

Repérer le loquet au bas du bloc-piles et appuyer sur les deux côtés pour dégager le bloc-piles de la scie à chaîne.

AVIS :

Lors de l'installation du bloc-piles sur la scie, veiller à ce que sa nervure en saillie s'aligne sur la rainure du logement de la scie et que les loquets latéraux s'engagent correctement. Une insertion incorrecte du bloc-piles peut causer des dommages aux composants internes.

Pour prendre connaissance des consignes de chargement, consulter le manuel d'utilisation des piles et des chargeurs.

UTILISATION

SYSTÈME DE LUBRIFICATION DE LA CHAÎNE

Voir la figure 6.

AVIS :

Retirer le bloc-piles de l'outil. Remplir le réservoir d'huile pour chaîne et guide avant de mettre la scie en marche (non fourni). Un manque de lubrification causerais des dommages à la chaîne et au guide.

- Utiliser de l'huile pour guide et chaîne (non fourni). Cette huile est formulée pour fonctionner dans une vaste plage de températures sans être diluée.

NOTE : Ne pas utiliser d'huile sale, usagée ou autrement contaminée. Cela pourrait endommager le guide ou la chaîne.

- Verser soigneusement l'huile pour guide et chaîne dans le réservoir.
- Vérifier le niveau d'huile et faire l'appoint lors de la recharge des piles ou selon le besoin.

NOTE : Il est normal que de l'huile suinte de la scie lorsqu'elle n'est pas en usage. Pour éviter ce suintement, vider le réservoir d'huile après chaque utilisation. Lorsque la scie est remise pour une période prolongée (trois mois ou plus), s'assurer que la chaîne et le pignon d'entraînement sont légèrement lubrifiés pour les protéger de la rouille.

AVIS :

Avant chaque utilisation, s'assurer que la chaîne est adéquatement tendue. Une chaîne froide est bien tendue lorsqu'il n'y a aucun mou sous le rail de guidage, que la chaîne est serrée et qu'elle peut être tournée à la main sans se coincer. Pendant l'utilisation normale de la scie, la température de la chaîne augmente. Les maillons-guide d'une chaîne chaude correctement tendue pendent à environ 1,27 mm (0,050 po) de la rainure du guide.

Pour bien ajuster la tension de la chaîne, consulter les instructions **Ajuster la tension de la chaîne** dans la section *Entretien* de ce guide.

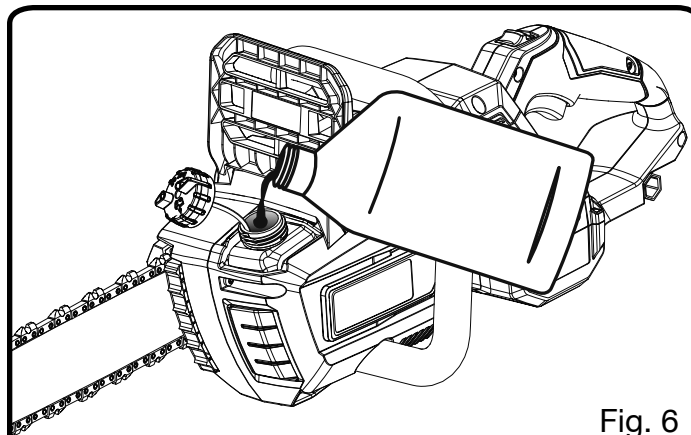


Fig. 6

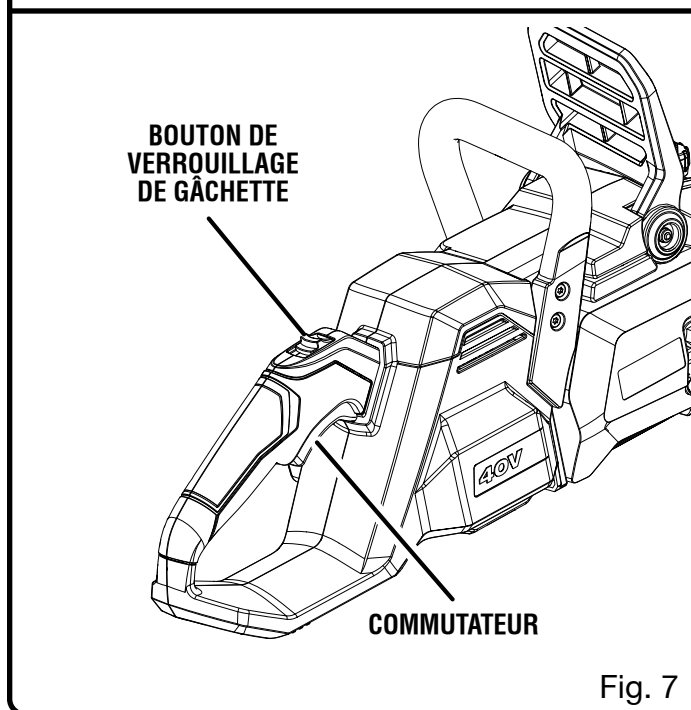


Fig. 7

DÉMARRAGE ET ARRÊT DE LA SCIE À CHAÎNE

Voir la figure 7.

⚠ AVERTISSEMENT :

Garder le corps à droite de la ligne de chaîne. Ne jamais chevaucher la scie ou la chaîne ou se pencher au-delà de la ligne de chaîne. Une utilisation inadéquate de la scie à chaîne peut entraîner des blessures graves.

Démarrage de la scie à chaîne :

- Maintenir le bouton de verrouillage de gâchette enfoncé. Ceci permet d'actionner le commutateur.

UTILISATION

- Pour le fonctionnement continu, appuyer sur la commutateur, désengager le bouton de verrouillage et maintenir la commutateur enfoncée.

Arrêt de la scie à chaîne :

- Pour arrêter la scie, relâcher la commutateur.
- Lorsque la commutateur est relâchée, le bouton de verrouillage se remet automatiquement en position verrouillée.

Cette scie à chaîne sans fil est conçue pour émonder, élaguer et couper des branches ou petits arbres.

PRÉPARATION POUR LA COUPE

SAISIR CORRECTEMENT LES DEUX POIGNÉES

Voir les figures 8 à 10.

Voir *Avertissements règles de sécurité relatives aux outils électriques*, plus haut dans ce manuel, pour des informations détaillées au sujet de l'équipement de sécurité.

- Porter des gants antidérapants pour assurer une prise et une protection maximum.
- Tenir la scie fermement, à deux mains. Toujours garder la main gauche sur la poignée avant et la main droite sur la poignée arrière, de façon à ce que le corps se trouve à gauche de la ligne de chaîne.

AVERTISSEMENT :

Ne jamais utiliser une prise gauchère (mains inversées) ou une position qui placerait le bras ou le corps en travers de la ligne de chaîne. Une utilisation inadéquate de la scie à chaîne peut entraîner des blessures graves.

- Toujours tenir solidement la scie lorsque le moteur tourne. Les doigts doivent entourer la poignée, le pouce étant passé au-dessous. Avec cette prise, la scie risque moins d'échapper à l'utilisateur (sous l'effet d'un rebond ou d'une autre réaction soudaine de la scie). Il est dangereux de tenir la scie avec les doigts et le pouce du même côté de la poignée, car le moindre à-coup peut faire perdre le contrôle de la scie.

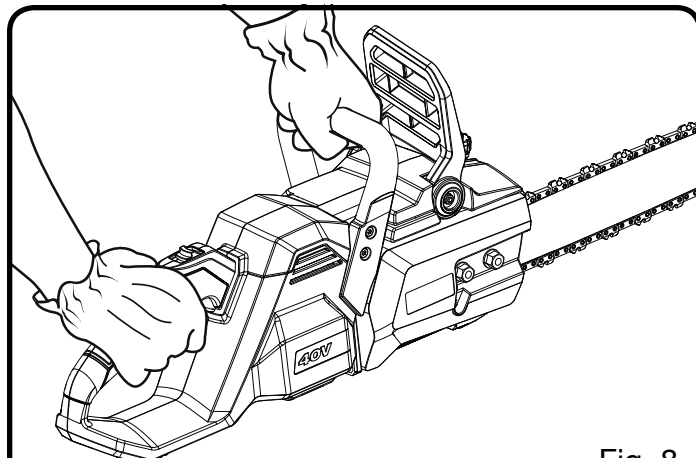


Fig. 8

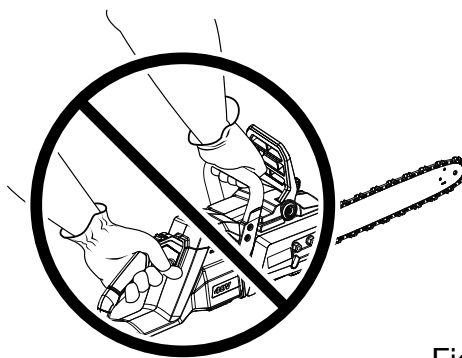


Fig. 9

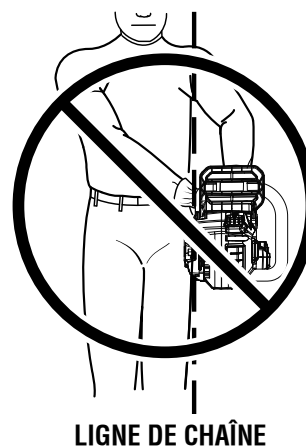


Fig. 10

AVERTISSEMENT :

Ne pas actionner la commutateur avec la main gauche en tenant la poignée avant avec la main droite. Ne jamais laisser une partie du corps quelconque se trouver dans la ligne de chaîne pendant l'utilisation de la scie. Une utilisation inadéquate de la scie à chaîne peut entraîner des blessures graves.

UTILISATION

POSITION DE COUPE CORRECTE

Voir les figures 11 et 12.

⚠ AVERTISSEMENT :

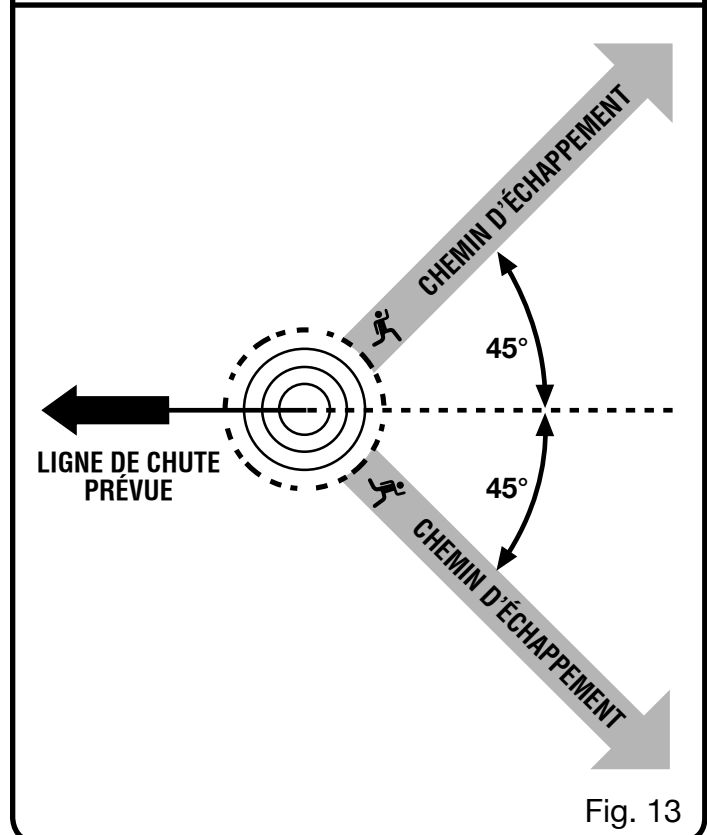
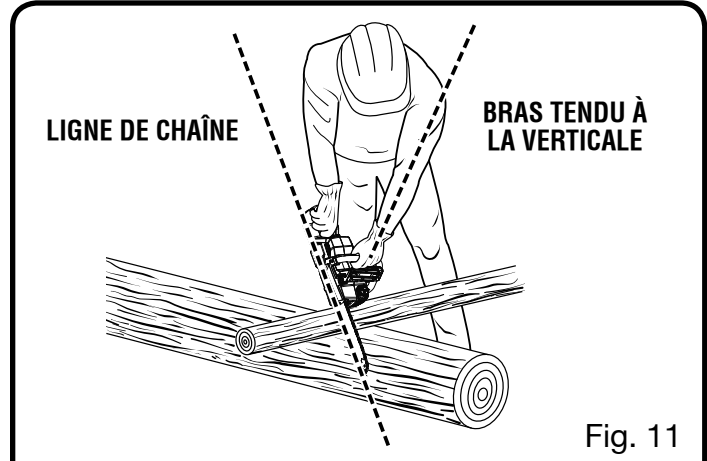
Toujours, employer une position de coupe adéquate comme décrite dans ce chapitre. Ne jamais s'agenouiller pendant l'utilisation de la scie à chaîne sauf pour abattre un arbre comme démontré à la figure 12. Le fait de s'agenouiller peut provoquer une déstabilisation et une perte de contrôle de la scie à chaîne et provoquer des blessures graves.

- Se tenir bien campé et en équilibre sur les deux pieds, sur un sol ferme.
- Garder le bras gauche tendu afin de pouvoir résister à la force d'un éventuel rebond.
- Toujours garder le corps à gauche de la ligne de chaîne.
- Garder le pouce au-dessous de la poignée.

MÉTHODE DE COUPE ÉLÉMENTAIRE

S'exercer en coupant quelques petites branches avec la technique décrite ci-après, pour se familiariser avec la scie avant d'entreprendre un travail de coupe important.

- Se mettre en position correcte, face à la pièce à couper, avec la scie arrêtée.
- Appuyer sur la commutateur et laisser la chaîne parvenir à pleine vitesse avant de commencer la coupe.
- Commencer la coupe avec la scie appuyée contre la bille.
- Maintenir un régime moteur uniforme pendant toute la durée de la coupe.
- Laisser la scie effectuer le travail, ne la pousser que légèrement vers le bas. Une force excessive pourrait endommager la chaîne, le guide ou le moteur.
- Relâcher la commutateur dès que la coupe a été effectuée et attendre que la chaîne s'immobilise. Le fonctionnement sans charge de coupe peut inutilement causer une usure excessive de la chaîne du guide et du moteur.
- Ne pas appuyer sur la scie en fin de coupe.



UTILISATION

PRÉCAUTIONS DE CHANTIER

Voir la figure 13

- Ne couper que du bois ou des matériaux dérivés du bois. Ne jamais couper de la tôle, des matières plastiques, du béton ou matériaux de construction autres que le bois.
- Ne jamais laisser un enfant utiliser la scie. Ne jamais laisser quiconque n'ayant pas lu le manuel d'utilisation ou reçu des instructions appropriées concernant la sécurité et l'utilisation correcte de la scie.
- Tenir les autres travailleurs, badauds et animaux domestiques à distance sécuritaire de la zone de travail. Pour l'abattage, la distance sécuritaire doit être au moins deux fois la taille de l'arbre le plus grand se trouvant dans la zone de coupe. Pendant l'ébranchage, maintenir une distance d'au moins 4,5 m (15 pi) entre les travailleurs.
- Toujours couper avec les deux pieds posés sur un sol ferme pour éviter toute perte d'équilibre.
- Ne pas couper au-dessus du niveau de la poitrine, car il est difficile de contrôler une scie maintenue plus haut en cas de rebond.
- Ne pas abattre d'arbres se trouvant à proximité de lignes électriques ou de bâtiments. Ce type de travail doit être confié à des professionnels.
- Ne couper que lorsque la visibilité et la lumière permettent de voir clairement.

ABATTAGE D'ARBRES

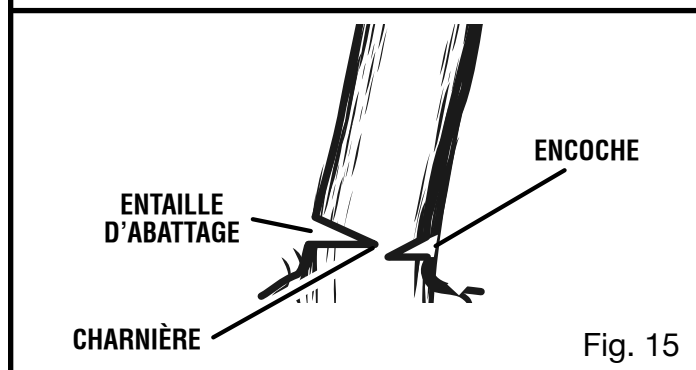
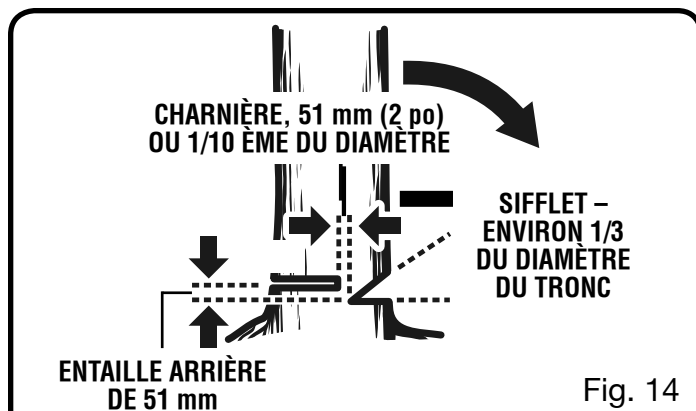
Voir les figures 13 à 16.

SITUATIONS DANGEREUSES



AVERTISSEMENT :

Ne pas effectuer d'abattage par grand vent ou en cas de fortes précipitations. Attendre que le temps se calme.



AVERTISSEMENT :

Surveiller attentivement les branches brisées ou mortes qui peuvent tomber pendant le taillage et éviter de tailler près des édifices ou fils électriques si la direction de la chute de l'arbre est incertaine. Ne pas tailler le soir ou pendant des conditions climatiques mauvaises, comme sous la pluie, la neige, lors de vents forts. Ces conditions peuvent réduire la visibilité et la manoeuvrabilité de la scie à chaîne. Si l'arbre à abattre entre en contact avec tout câble de service public, il faut cesser l'utilisation de la scie à chaîne et informer immédiatement le fournisseur de service public. Ne pas suivre ces directives peut causer des blessures graves ou mortelles.

UTILISATION

Lorsque vous abattez un arbre, il est très important de respecter les avertissements et de suivre les instructions pour prévenir la possibilité de mort ou de blessures personnelles.

- Ne pas couper d'arbres extrêmement inclinés ou de gros arbres aux branches pourries, à l'écorce décollée ou au tronc creux. Ces arbres doivent être poussés ou tirés à terre par un engin de chantier lourd avant d'être débités.
- Ne pas abattre d'arbres se trouvant à proximité de lignes électriques ou de bâtiments.
- Regarder si l'arbre comporte des branches mortes ou endommagées, risquant de tomber et de heurter l'utilisateur pendant l'abattage.
- Pendant la coupe du trait d'abattage, observer de temps à autre la cime de l'arbre pour s'assurer qu'il tombera dans la direction souhaitée.
- Si l'arbre commence à tomber dans le mauvais sens ou si la scie est pincée ou bloquée pendant la chute, l'abandonner et s'échapper !
- Abattage d'arbre — Lorsque deux personnes ou plus effectuent des opérations de tronçonnage à proximité d'un abattage, elles doivent se trouver à une distance correspondant à au moins deux fois la hauteur de l'arbre abattu. Les arbres ne doivent pas être abattus d'une manière risquant de mettre quiconque en danger, de heurter une ligne électrique ou de causer des dommages matériels. Si une ligne électrique est heurtée, la compagnie d'électricité doit être immédiatement notifiée.
- Avant de commencer une coupe, déterminer un chemin d'échappement (ou plusieurs au cas où le chemin prévu serait bloqué) déblayer les environs immédiats et s'assurer qu'aucun obstacle se trouve sur le chemin d'échappement prévu. Les trajectoires sécuritaires du chemin d'échappement doivent se situer à l'arrière et en diagonale (45°) à l'arrière de la ligne de chute prévue. Lorsque l'arbre commence à tomber, il faut s'écarter de la ligne de chute et suivre le chemin d'échappement et s'éloigner d'au moins 6 m (20 pi) du tronc au cas où l'arbre rebondirait sur la souche. *Voir la figure 13.*
- Avant de commencer l'abattage, tenir compte de la force et de la direction du vent, de l'inclinaison et de l'équilibre de l'arbre et de la position des grosses branches. Tous ces facteurs influencent la direction dans laquelle l'arbre tombera. Ne pas faire levier pour abattre un arbre dans une direction autre que la ligne de chute naturelle.
- L'opérateur doit se tenir en amont de l'arbre, étant donné qu'une fois abattu, l'arbre glissera ou roulera vers le bas de la pente.
- Éliminer la terre, les pierres, l'écorce décollée, les clous, agrafes et fils métallique des endroits où les entailles doivent être pratiquées.
- **Entaille de dessous.** Pratiquer une entaille d'environ le tiers du diamètre du tronc, perpendiculairement à la ligne de chute. Veiller à ce que les entailles du sifflet se rejoignent à angle droit par rapport à la ligne de chute. Le sifflet doit être taillé de façon à présenter une ligne droite. Pour empêcher le pincement de la scie sous le poids du bois, toujours effectuer l'entaille inférieure en premier. *Voir la figure 14.*
- **Entaille d'abattage.** L'entaille d'abattage doit toujours être de niveau et horizontale et effectuée à au moins 51 mm (2 po) au-dessus de l'entaille horizontale du sifflet. *Voir les figures 14 et 15.*
- Ne jamais couper jusqu'au sifflet. Toujours laisser une épaisseur de bois d'environ 51 mm (2 po) ou 1/10ème du diamètre du tronc entre l'entaille d'abattage et le sifflet. Ceci s'appelle une « charnière ». Cette charnière contrôle la chute de l'arbre et empêche le tronc de glisser, de pivoter ou de basculer sur la souche. *Voir les figures 14 et 15.*
- Sur les arbres de grand diamètre, arrêter le trait d'abattage avant qu'il ne soit assez profond pour causer la chute de l'arbre ou son affaissement sur la souche. Ensuite, insérer des coins en bois ou en plastique dans le trait, de façon à ce qu'ils ne touchent pas la chaîne. Les coins peuvent être enfoncés petit à petit pour faire levier sur l'arbre. *Voir la figure 16.*
- Dès que l'arbre commence à tomber, arrêter la scie et la poser immédiatement à terre. S'échapper par le chemin dégagé tout en prenant garde que rien ne tombe vers soi. Se méfier des branches risquant de tomber et regarder où l'on met les pieds.

UTILISATION

⚠ AVERTISSEMENT :

Ne jamais couper l'entaille d'abattage jusqu'au sifflet. La charnière, qui est la section de bois laissée intacte entre le trait d'abattage et le sifflet contrôle la chute de l'arbre.

DÉBITAGE

Voir les figures 17 à 20.

Tronçonnage est le terme utilisé pour la coupe d'un arbre abattu en billes de la taille désirée.

- Toujours veiller à se tenir bien campé et en équilibre, le poids également réparti sur les deux pieds.
- Ne couper qu'une bille à la fois.
- Soutenir les petites billes avec un chevalet ou une autre bille.
- Garder le lieu de travail propre et déblayé. S'assurer que rien ne risque d'entrer en contact avec l'extrémité du guide et la chaîne, car cela pourrait causer un rebond.
- Lors du tronçonnage sur une pente, toujours se tenir en amont de la bille. En fin de coupe, réduire la pression exercée sur la scie, sans relâcher la prise des deux mains sur les poignées afin de garder le contrôle de la scie. Ne pas laisser la chaîne heurter le sol. Une fois la coupe terminée, attendre l'immobilisation complète de la chaîne avant de se déplacer. Toujours arrêter le moteur avant de passer d'un arbre à un autre.
- Il est parfois impossible d'éviter le pincement (en employant seulement les techniques de coupe standard) ou difficile de prévoir dans quel sens la bille va ployer lorsqu'elle est coupée. Tourner ou déplacer la bille pendant la coupe pour éviter un pincement.

DÉBITAGE DE BILLES SOUS CONTRAINTE

Voir les figures 19 et 20.

Lorsqu'une bille est soutenue sur toute sa longueur, elle doit être coupée par le dessus.

Lorsqu'une bille est soutenue à une extrémité, elle doit être coupée par le dessous, jusqu'au tiers de son diamètre. Ensuite la coupe de finition doit être pratiquée par le dessus, de manière à rejoindre la coupe initiale.

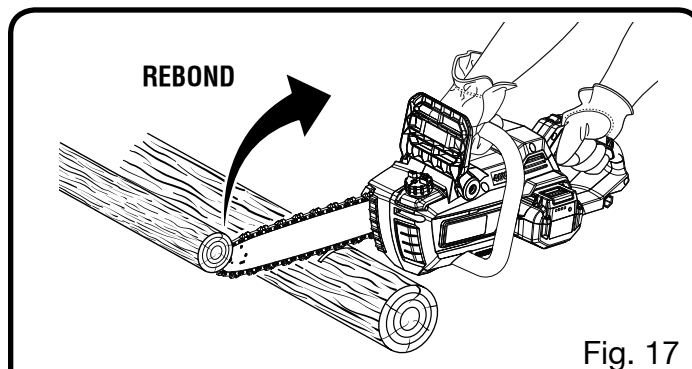


Fig. 17

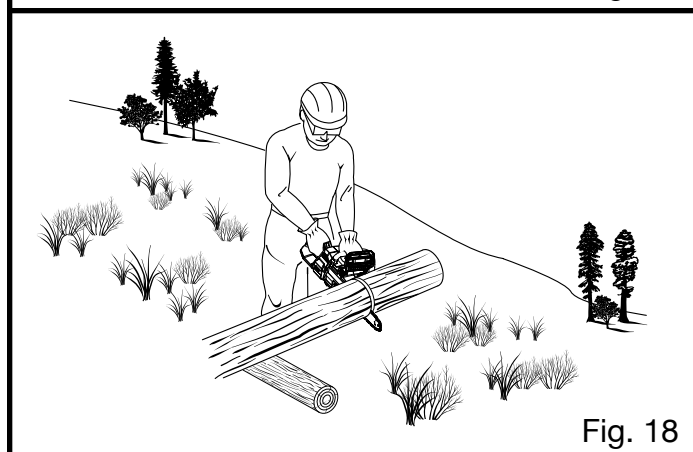
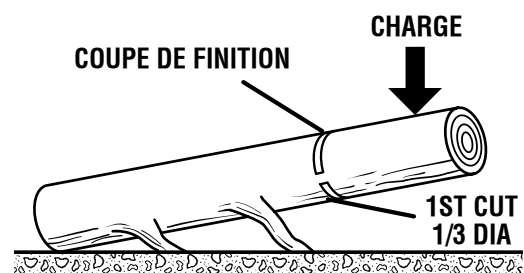


Fig. 18

BILLE SOUTENUE À UNE EXTRÉMITÉ :



BILLE SOUTENUE AUX DEUX EXTRÉMITÉS :

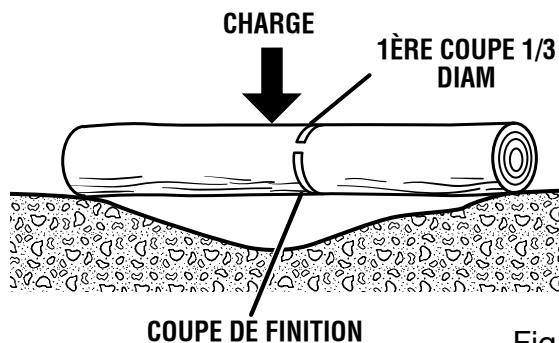


Fig. 19

UTILISATION

À mesure qu'elle est coupée, la bille a tendance à fléchir. Si la première coupe dépasse le tiers du diamètre de la bille, la lame risque d'être pincée ou bloquée dans l'entaille.

Prêter une attention particulière aux billes sous contrainte pour éviter que le guide et la chaîne ne soient pincés.

Lors du tronçonnage sur une pente, toujours se tenir en amont de la bille, comme le montre la figure 18. En fin d'une coupe « traversante », réduire la pression exercée sur la scie, sans relâcher la prise des deux mains sur les poignées afin de garder le contrôle total de la scie. Ne pas laisser la chaîne heurter le sol. Une fois la coupe terminée, attendre l'immobilisation complète de la chaîne avant de se déplacer. Toujours arrêter le moteur avant de passer à un autre arbre.

TYPES DE COUPE UTILISÉS

Voir la figure 20.

COUPE PAR LE DESSUS

Commencer sur le dessus de la bille, le bas de la scie appuyé contre le bois et exercer une légère pression vers le bas. Noter que la scie aura tendance à tirer vers l'avant.

COUPE PAR LE DESSOUS

Commencer par le dessous de la bille, le haut de la scie appuyé contre le bois et exercer une légère pression vers le haut. Noter que la scie aura tendance à pousser vers l'utilisateur. Être préparé à cette réaction et maintenir la scie fermement pour garder le contrôle.

ÉBRANCHAGE

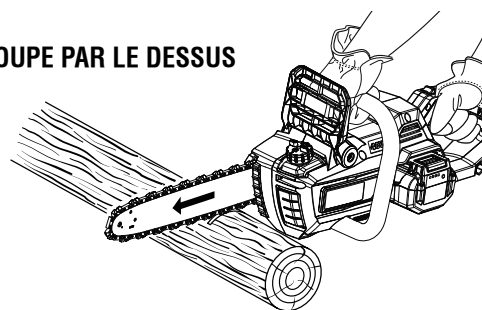
Voir la figure 21.



AVERTISSEMENT :

Ne jamais grimper dans un arbre pour l'ébrancher ou l'émonder. Ne pas travailler en se tenant sur une échelle, une plate-forme, dessus de toit ou une bille, ni se tenir dans une position risquant de faire perdre l'équilibre ou le contrôle de la scie, ce qui peut causer la mort ou d'autres blessures graves.

COUPE PAR LE DESSUS



COUPE PAR LE DESSOUS

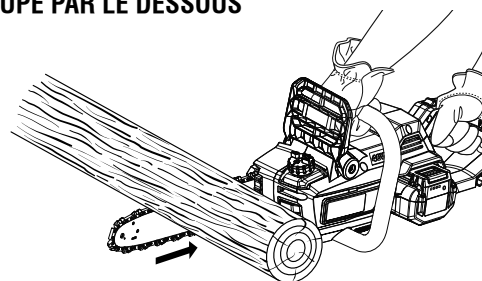
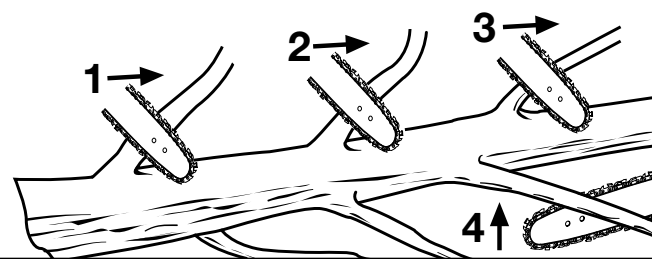


Fig. 20



COUPER LES BRANCHES UNE À UNE ET LAISSER CELLES SOUTENANT LE TRONC JUSQU'À CE QU'CELUI-CI SOIT DÉBITÉ

Fig. 21

L'ébranchage consiste à couper les branches d'un arbre abattu.

- Travailler lentement et tenir la scie fermement à deux mains. Toujours veiller à se tenir bien campé et en équilibre sur les deux pieds.
- Ne pas couper les grosses branches soutenant l'arbre, afin de le maintenir à distance du sol.
- Ne couper qu'une branche à la fois. Éloigner les branches coupées de la zone de travail fréquemment pour maintenir l'endroit dégagé et sûr.
- Les branches sous tension doivent être coupées par le dessous pour éviter le pincement de la chaîne.
- Pendant l'ébranchage, garder le tronc entre le corps et la scie. Couper en se tenant du côté du tronc opposé à la branche à couper.

UTILISATION

ÉLAGAGE

Voir la figure 22.

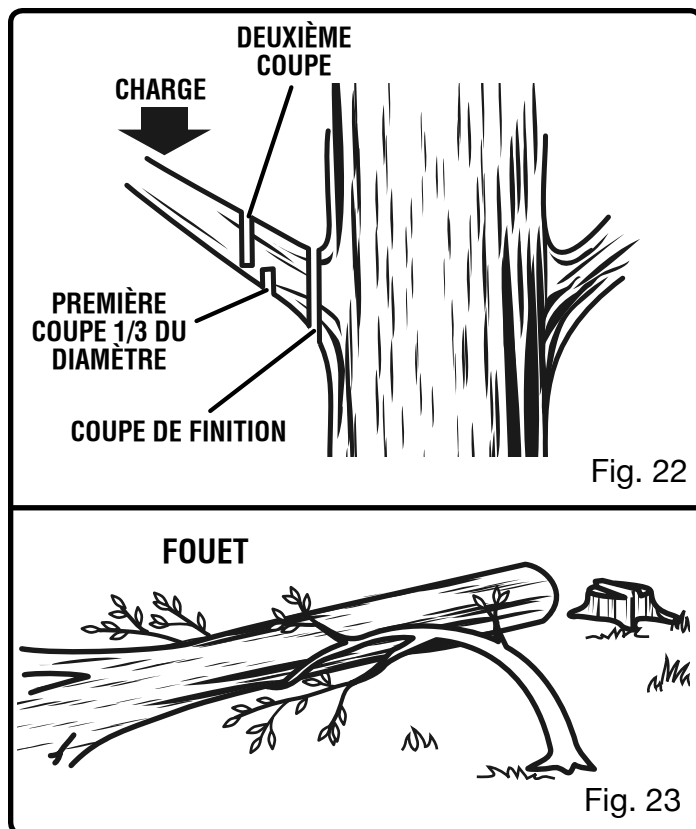
L'élagage consiste à couper les branches d'un arbre sur pied.

- Travailler lentement et tenir la scie fermement à deux mains. Toujours veiller à se tenir bien campé et en équilibre sur les deux pieds.
- Ne pas utiliser la scie en se tenant sur une échelle, ce qui est extrêmement dangereux. Ce type de travail doit être confié à des professionnels.
- Ne pas couper au-dessus du niveau de la poitrine, car il est difficile de contrôler une scie maintenue plus haut en cas de rebond.
- Lors de l'élagage il est important de ne pas couper au ras d'une branche maîtresse ou du tronc avant d'avoir coupé la branche à distance pour en réduire le poids. Ceci évite d'endommager l'écorce.
- La première entaille doit être effectuée par le dessous, jusqu'au tiers du diamètre de la branche.
- La deuxième entaille doit être effectuée par le dessus pour faire tomber la branche.
- Ceci fait, la coupe finale peut être effectuée nettement au ras du tronc ou de la branche maîtresse, de façon à ce que l'écorce puisse pousser pour sceller la plaie.



AVERTISSEMENT :

Si les branches à couper se trouvent au-dessus du niveau de la poitrine, confier le travail à un professionnel. Ne pas prendre cette précaution peut entraîner des blessures graves ou mortelles.



FOUETS

Voir la figure 23.

Un fouet est une bille, une branche, une souche déracinée ou un arbrisseau fléchi sous tension par une autre pièce de bois qui se détendra une fois que cette pièce est coupée ou enlevée. La souche déracinée d'un arbre abattu risque fortement de se remettre à la verticale lorsque la coupe destinée à séparer le tronc de la souche est effectuée. Se méfier des fouets, ils sont dangereux.



AVERTISSEMENT :

Les fouets sont dangereux et peuvent heurter l'opérateur, lui faisant perdre le contrôle de la scie. Ceci peut entraîner des blessures graves ou mortelles.

ENTRETIEN

AVERTISSEMENT :

Pour empêcher un démarrage accidentel pouvant entraîner des blessures graves, toujours retirer les piles de l'outil avant tout nettoyage ou entretien.

AVERTISSEMENT :

Porter une protection oculaire avec écrans latéraux certifiée conforme à la norme ANSI Z87.1, ainsi qu'une protection auditive et un casque lors de l'utilisation de cet outil. Si cette précaution n'est pas prise, des objets peuvent être projetés dans les yeux et d'autres lésions graves.

AVERTISSEMENT :

Utiliser exclusivement des pièces d'origine pour les réparations. L'usage de toute autre pièce pourrait créer une situation dangereuse ou endommager l'outil.

AVERTISSEMENT :

Ne jamais utiliser de l'eau ou une autre liquide pour nettoyer ou rincer le produit et n'exposez pas à la pluie ou conditions l'humidité. La remettre à l'intérieur dans un endroit sec. Les liquides corrosifs, l'eau et les produits chimiques peuvent s'infiltrer dans les composants électroniques et/ou le compartiment de la pile et endommager les composants électroniques et/ou le bloc-pile, ce qui peut entraîner un court-circuit, augmenter le risque d'incendie ou des blessures corporelles graves. Enlever toute accumulation de la saleté et les débris sur le produit de temps en temps avec un linge sec.

AVIS :

Inspecter périodiquement au complet le produit afin de s'assurer qu'aucune pièce (vis, écrous, boulons, chapeaux, etc.) n'est endommagée, manquante ou desserrée. Serrer solidement toutes les pièces de fixation et les chapeaux et ne pas utiliser le produit tant que toutes les pièces manquantes ou endommagées n'ont pas été remplacées. Pour obtenir de l'aide, veuillez communiquer avec le Service à la clientèle ou un centre de réparations qualifié.

ENTRETIEN GÉNÉRAL

Éviter d'utiliser des solvants pour le nettoyage des pièces en plastique. La plupart des matières plastiques peuvent être endommagées par divers types de solvants du commerce. Utiliser un chiffon propre pour éliminer la saleté, la poussière, l'huile, la graisse, etc.

AVERTISSEMENT :

Ne jamais laisser de liquides tels que le fluide de freins, l'essence, les produits à base de pétrole, les huiles pénétrantes, etc., entrer en contact avec les pièces en plastique. Les produits chimiques peuvent endommager, affaiblir ou détruire le plastique et représenter un risque de blessures graves.

REMPACEMENT DU GUIDE ET DE LA CHAÎNE

Voir les figures 24 à 29.

AVERTISSEMENT :

Retirer le bloc-pile et s'assurer que la chaîne s'est immobilisée avant d'entreprendre tout travail sur la scie. Ne pas débrancher l'outil peut causer un démarrage accidentel, entraînant des blessures graves.

AVERTISSEMENT :

Pour éviter des blessures graves, lire et veiller à bien comprendre les instructions de sécurité contenues dans cette section.

ENTRETIEN

⚠ AVERTISSEMENT :

Ne jamais toucher ou régler la chaîne lorsque le moteur tourne. La chaîne de la scie est extrêmement tranchante. Toujours porter des gants lors de son entretien pour éviter des lacérations profondes.

⚠ ATTENTION :

Toujours porter des gants lors de la manipulation du guide et de la chaîne qui sont tranchants et peuvent présenter des bavures.

NOTE : Lors du remplacement du guide et de la chaîne, toujours utiliser les pièces indiquées à la section **Combinaisons de guide et chaîne**, plus loin dans ce manuel.

- Retirer le bloc-piles avant d'entreprendre tout travail sur la scie.
- Retirer les écrous de montage du guide en utilisant la clé mixte fournie.
- Retirer le couvercle de chaîne.
- Retirer le guide et la barre de leur support.
- Retirer la chaîne usée du guide.
- Former une boucle avec la nouvelle chaîne et éliminer les entortillements. Les gouges doivent être orientées dans le sens de rotation de la chaîne. Si elles sont orientées dans le sens contraire, retourner la boucle.
- Engager les maillons d'entraînement de la chaîne dans la rainure du guide conformément à l'illustration.

NOTE : S'assurer du sens de la chaîne.

- Positionner la chaîne de façon à obtenir une boucle à l'arrière du guide.
- Maintenir la chaîne en place sur le guide et engager la boucle sur le pignon.
- Ajuster le guide au ras de la surface de montage, de manière à ce que ses goujons s'engagent dans la fente longue du guide.
- Replacer le couvercle de l'embrayage en s'assurant que la goupille de réglage se trouvant à l'intérieur du couvercle s'insère aisément dans le trou pour la goupille de tension de la chaîne sur le guide-chaîne, et que les deux goujons du guide-chaîne sont fixés solidement dans leurs

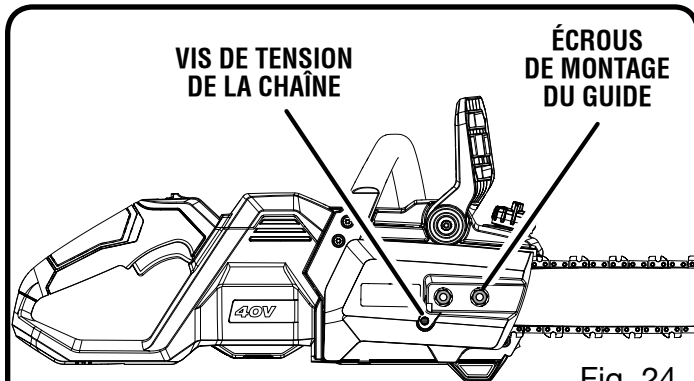


Fig. 24

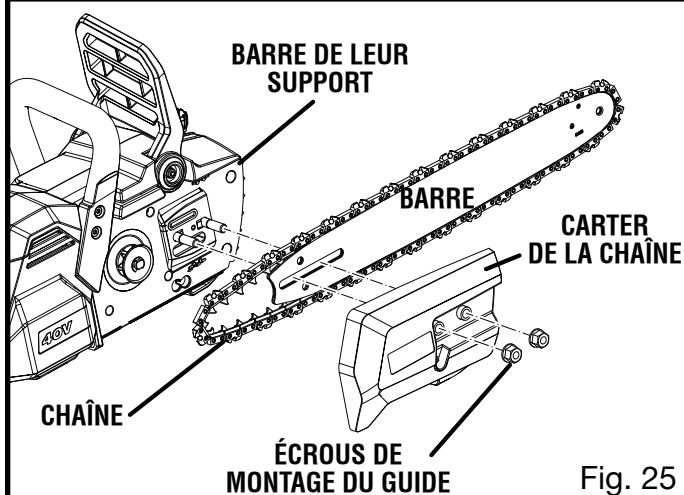


Fig. 25

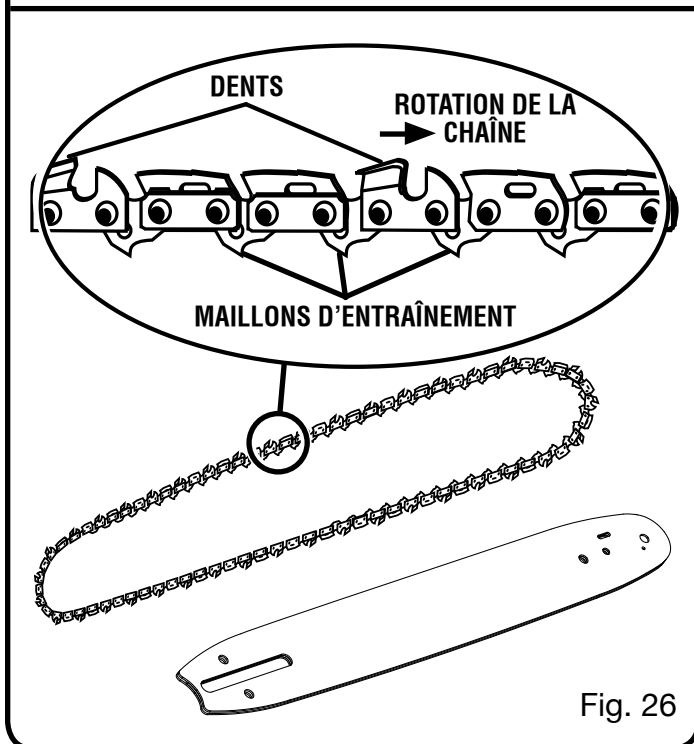


Fig. 26

ENTRETIEN

trous respectifs se trouvant dans le couvercle de l'embrayage.

NOTE : Il peut être nécessaire de replacer légèrement la goupille de réglage avec le cadran de tension de la chaîne afin de faire en sorte qu'elle soit alignée avec le trou pour la goupille de tension de la chaîne sur le guide-chaîne.

- Replacer le couvercle de l'embrayage et les écrous de montage.
- Serrer à la main les écrous de montage. Le guide doit bouger librement pour pouvoir régler la tension.
- Éliminer tout le jeu de la chaîne en tournant la vis de tension de la chaîne dans le sens des aiguilles d'une montre jusqu'à ce que la chaîne s'appuie bien contre le guide et que les maillons d'entraînement reposent sur la rainure du guide.
- Relever l'extrémité du guide pour vérifier le mou.
- Tenir l'extrémité du guide-chaîne vers le haut et serrer fermement les écrous de montage du guide-chaîne.

Une chaîne est correctement tendue lorsqu'elle ne présente pas de mou au dessous du guide et qu'elle est bien serrée, mais peut cependant être tournée à la main sans se gripper.

NOTE : Une chaîne trop serrée ne tournera pas. Dévisser les écrous du guide-chaîne et tourner le réglage de tension sur 1/4 de tour dans le sens contraire aux aiguilles d'une montre. Soulever l'extrémité du guide-chaîne et revisser fermement les écrous du guide-chaîne. S'assurer de l'absence de jeu de la chaîne pendant sa rotation.

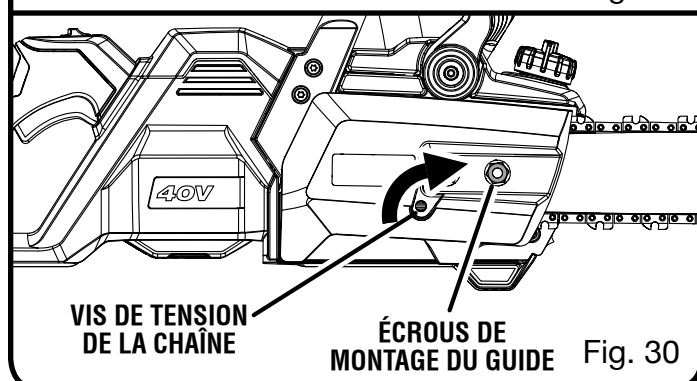
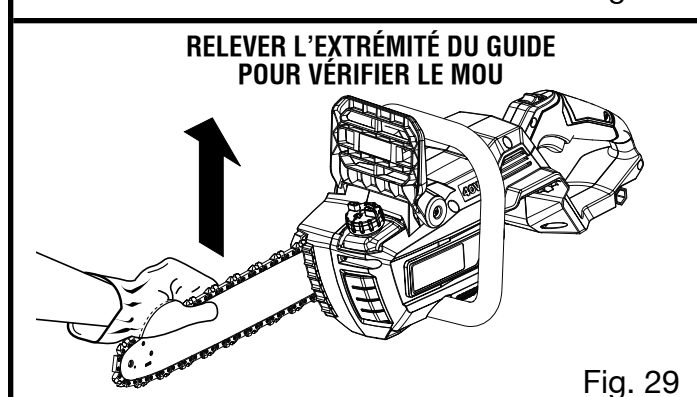
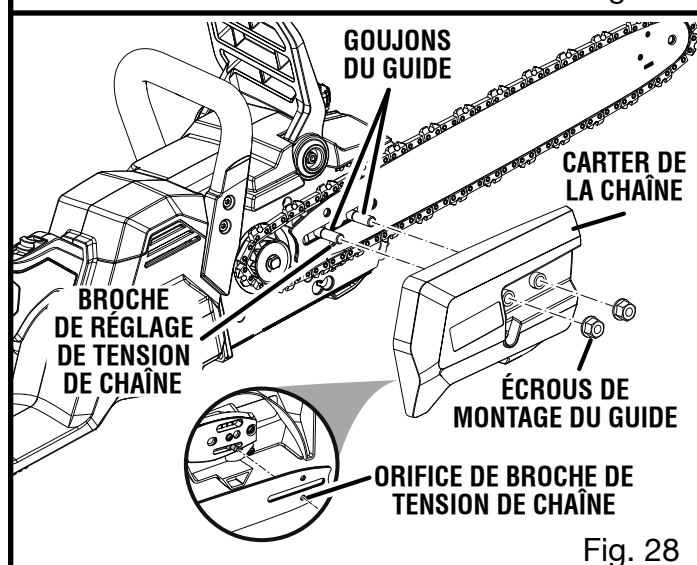
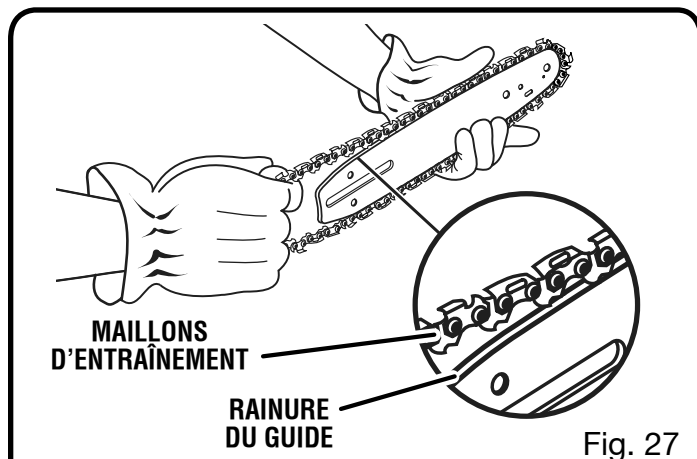
RÉGLAGE DE LA TENSION DE CHAÎNE

Voir les figures 30 et 32.

⚠ AVERTISSEMENT :

Arrêter le moteur et retirer le bloc-piles. Ne jamais toucher ou régler la chaîne lorsque le moteur tourne. La chaîne est extrêmement tranchante. Toujours porter des gants lors de l'entretien de la chaîne. Des blessures graves peuvent survenir si ces instructions ne sont pas respectées.

- Retirer le bloc-piles avant d'entreprendre tout travail sur la scie.



ENTRETIEN

■ S'assurer que les écrous de montage du guide-chaîne ne sont serrés qu'à la main.

■ Tourner la goupille de tension de la chaîne dans le sens des aiguilles d'une montre pour augmenter la tension de la chaîne.

NOTE : Une chaîne froide est correctement tendue lorsqu'elle ne présente pas de mou au dessous du guide et qu'elle est bien serrée mais peut cependant être tournée à la main sans se gripper.

■ La chaîne doit être retendue lorsque les méplats des maillons d'entraînement sortent de la rainure du guide.

NOTE : Pendant l'utilisation normale de la scie, la température de la chaîne augmente. Les maillons d'entraînement d'une chaîne chaude correctement tendue pendent à environ 1,27 mm (0,050 po) au-dessous de la rainure du guide. La pointe d'une clé mixte peut fournie être utilisée comme guide pour déterminer la tension correcte d'une chaîne chaude.

NOTE : Les chaînes neuves ont tendance à s'étirer. Il convient donc de vérifier fréquemment leur tension et de la corriger le cas échéant.

AVIS :

Une chaîne réglée à chaud peut présenter une tension excessive une fois refroidie. Vérifier la « tension à froid » avant la prochaine utilisation afin d'éviter toute blessure

ENTRETIEN DE LA CHAÎNE

Voir les figures 33 à 35.



AVERTISSEMENT :

Retirer le bloc-pile et s'assurer que la chaîne s'est immobilisée avant d'entreprendre tout travail sur la scie pour éviter un démarrage accidentel et des blessures graves.

Utiliser exclusivement des chaînes à rebond réduit sur cette scie. Correctement entretenue, cette chaîne à coupe rapide réduira les risques de rebond. Pour couper rapidement et nettement, la chaîne doit être correctement entretenue. La chaîne doit être affûtée lorsque les copeaux de bois sont petits

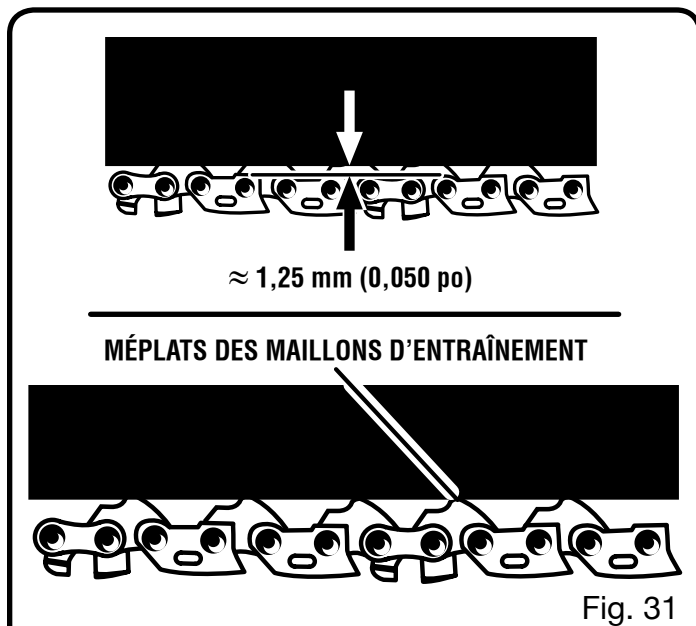


Fig. 31

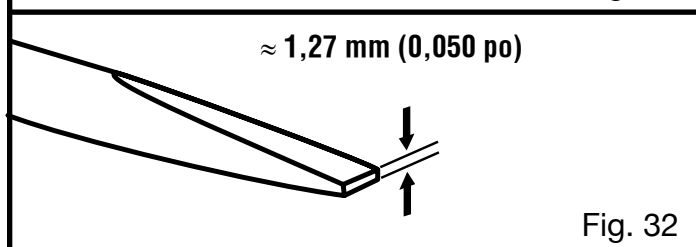


Fig. 32

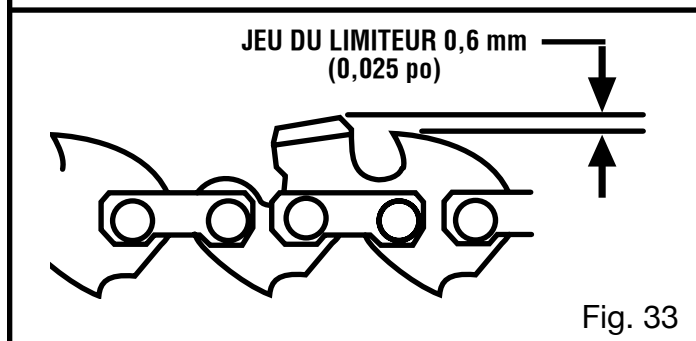


Fig. 33

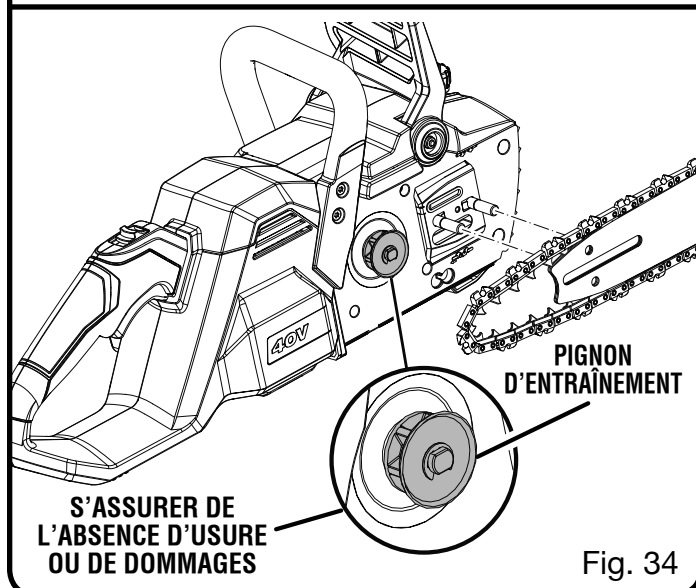


Fig. 34

ENTRETIEN

et poudreux, lorsqu'il est nécessaire de forcer sur la scie pour couper ou lorsque la chaîne ne coupe que d'un côté. Lors de l'entretien de la chaîne, tenir compte des points suivants :

- Un angle d'affûtage incorrect de la plaque latérale peut accroître les risques de rebond puissant.
- Jeu du limiteur de profondeur.
 - Un réglage trop profond accroît le risque de rebond.
 - Un réglage pas assez profond réduit la capacité de coupe.
- Si les dents de la chaîne ont heurté des objets durs tels que des clous ou des pierres, ou ont été abrasées par du sable ou de la boue se trouvant sur le bois, la faire affûter chez un concessionnaire réparateur.

NOTE : Lors du remplacement de la chaîne, s'assurer que le pignon d'entraînement n'est ni usé, ni endommagé. En cas de signes d'usure ou de dommages aux endroits indiqués faire remplacer le pignon dans un centre de réparations Ryobi.

COMMENT AFFÛTER LES DENTS

Voir les figures 36 et 37.

Veiller à limer toutes les dents aux angles spécifiés et à la même longueur, car une coupe rapide ne peut être obtenue qu'avec des dents uniformes.



AVERTISSEMENT :

La chaîne de la scie est extrêmement tranchante. Toujours porter des gants lors de son entretien pour éviter des blessures graves.

- Tendre la chaîne correctement avant de l'affûter. Voir la section **Tension de la chaîne** plus haut dans ce manuel. Tout le limage doit être effectué au point central du guide.
- Utiliser une lime ronde de 4,5 mm (5/32 po), et un porte-lime.
- Garder la lime de niveau avec la plaque supérieure de la dent. Ne pas incliner la lime ou utiliser un mouvement de bascule.
- Exercer une pression légère mais ferme et limer en direction du coin avant de la dent.
- Soulever la lime du métal à chaque retour.

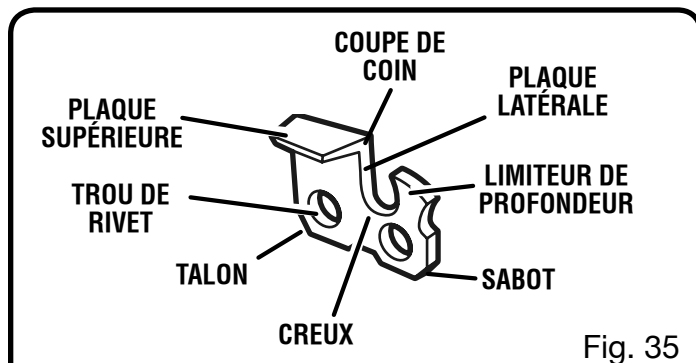


Fig. 35

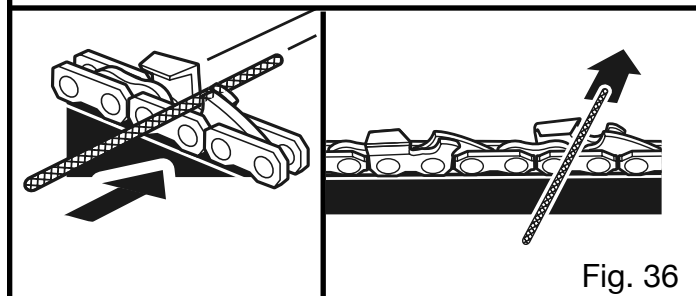


Fig. 36

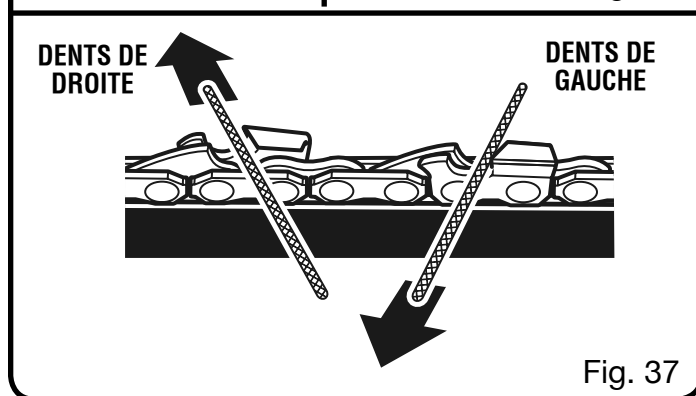


Fig. 37

- Effectuer quelques passes fermes sur chaque dent. Limer toutes les gouges de gauche dans un sens. Ensuite, passer à l'autre côté et limer toutes les gouges de droite dans l'autre sens. De temps à autre, éliminer la limaille de la lime au moyen d'une brosse métallique.



AVERTISSEMENT :

Un affûtage incorrect de la chaîne accroît le risque de rebond, ce qui peut causer des blessures graves.



AVERTISSEMENT :

L'utilisation d'une chaîne endommagée peut causer de blessures graves.

ANGLE D’AFFÛTAGE DE LA PLAQUE SUPÉRIEURE

Voir la figure 38.

- **CORRECT 30°** – Les porte-limes sont dotés de repères permettant d’aligner la lime correctement, de façon à obtenir un angle de plaque supérieure satisfaisant.
- **MOINS DE 30°** – Pour les coupes transversales.
- **PLUS DE 30°** – Tranchant aminci, s’émousse rapidement.

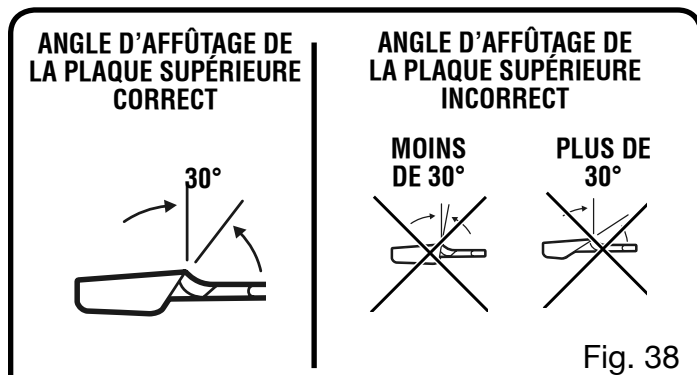


Fig. 38

ANGLE DE PLAQUE LATÉRALE

Voir la figure 39.

- **CORRECT – 80°** – Obtenu automatiquement si une lime de taille appropriée est placée dans le porte-lime.
- **CROCHET** – « Accroche » le bois et s’émousse rapidement. Accroît le risque de **REBOND**.
Résulte de l’emploi d’une lime de trop petit diamètre ou d’une lime tenue trop bas.
- **ANGLE ARRIÈRE** – Nécessite une pression d’attaque excessive, causant l’usure prématurée du guide et de la chaîne.
Résulte de l’emploi d’une lime de trop grand diamètre ou d’une lime tenue trop haut.

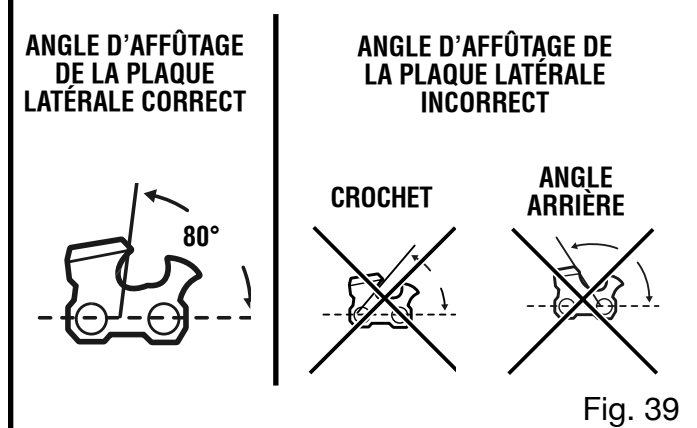


Fig. 39

DÉGAGEMENT DE JAUGE DE PROFONDEUR

Voir les figures 40 et 41.

- Le jeu du limiteur de profondeur doit être maintenu à 0,6 mm (0,025 po). Utiliser un outil de réglage de jauge de profondeur pour vérifier les dégagements du limiteur de profondeur.
- Vérifier le jeu du limiteur de profondeur lors de chaque affûtage de la chaîne.

Utiliser une lime plate et un coupleur pour limer tous les limiteurs de profondeur uniformément. Les coupleurs de limiteur de profondeur sont disponibles en tailles 0,5 à 0,9 mm (0,020 à 0,035 po). Utiliser un calibre de jauge de profondeur de 0,6 mm (0,025 po). Après avoir abaissé chaque limiteur de profondeur, lui rendre sa forme d’origine en arrondissant l’avant. Veiller à ne pas endommager les maillons d’entraînement adjacents avec le bord de la lime.

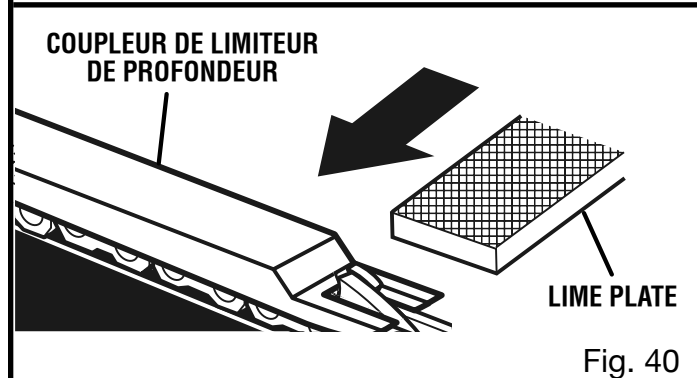


Fig. 40

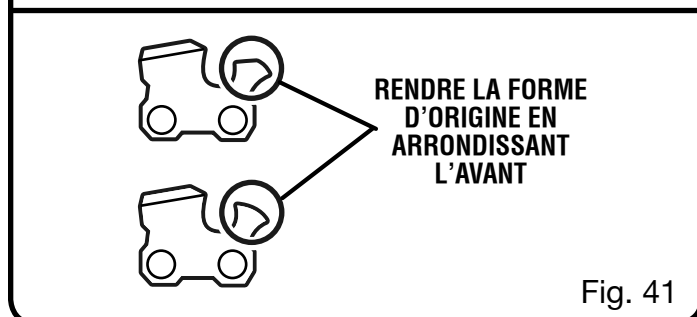


Fig. 41

Les limiteurs de profondeur doivent être ajustés avec la lime plate, dans le sens dans lequel les dents adjacentes ont été affûtées avec la lime ronde. Veiller à ne pas toucher la face de la gouge avec la lime plate lors de l’ajustement des limiteurs de profondeur.

ENTRETIEN

ENTRETIEN DU GUIDE

Voir la figure 42.

⚠ ATTENTION :

S'assurer que la chaîne s'est immobilisée et le bloc-pile a été retiré avant d'entreprendre tout travail sur la scie pour éviter des blessures graves.

Un entretien adéquat maximisera la durée de vie utile du guide.

Chaque journée d'utilisation :

Nettoyez et inspectez le guide en vue d'usure ou de dommage. Les amincissements et ébarbures sur les rails du guide font partie de l'usure normale, mais ces défauts doivent être limés dès qu'ils apparaissent.

Chaque semaine d'utilisation :

- Inverser le guide sur la chaîne, afin de répartir l'usure.
- Lubrifier la douille à l'extrémité du guide en insérant une segingue dans le trou de lubrification.
- Retourner le guide et s'assurer que les trous de lubrification et la rainure de chaîne sont propres.

Un guide présentant l'un ou plusieurs des défauts ci-dessous doit être remplacé :

- Usure de l'intérieur des rails permettant à la chaîne de se coucher sur le côté
- Guide tordu
- Rails fêlés ou brisés
- Rails écartés

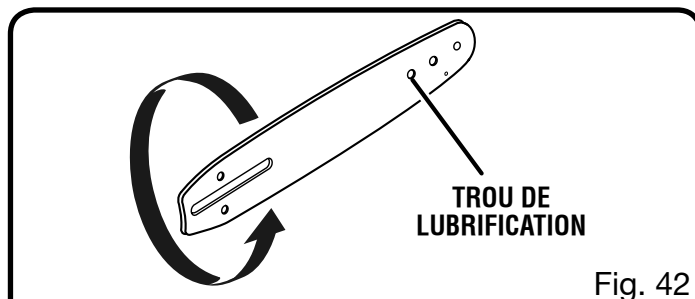


Fig. 42

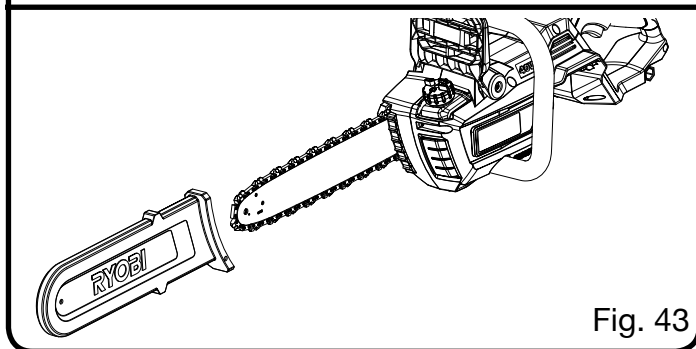


Fig. 43

TRANSPORT ET REMISAGE

Voir la figure 43.

⚠ AVERTISSEMENT :

Toujours enlever le bloc-piles avant de transporter ou de ranger la scie à chaîne. Ranger le bloc-piles à l'intérieur dans un endroit sec, sécuritaire et hors de la portée des enfants. Le défaut de suivre ces instructions pourrait entraîner un démarrage accidentel ou une utilisation non autorisée et causer des blessures personnelles graves.

- Ne jamais remiser ou transporter la scie lorsque le moteur tourne. La chaîne doit toujours être immobilisée avant de remiser ou transporter la scie.
- Toujours placer le fourreau sur le guide lors du transport ou du remisage de la scie. Veiller à ne pas se couper sur les dents de la chaîne.
- Nettoyer soigneusement la scie à chaîne avant de la remiser. Le remiser dans un endroit bien aéré, verrouillé et/ou inaccessible aux enfants.
- La tenir à l'écart de produits corrosifs, tels que les produits chimiques de jardinage et le sel de dégivrage.

COMBINAISONS DE GUIDE ET CHÂÎNE

Caractéristiques de la chaîne : pas de 9,53 mm (0,375 po), trait d'abattage à profil bas, calibre de chaîne 1,3 mm (0,050 po), roue à 6 dents.

**Longueur
du guide**
14 po

**N° de référence
du guide**
314675001

**N° de référence
de la chaîne**
682006004

**Maillons
d'entraînement**
52

DÉPANNAGE

PROBLÈME	CAUSE	SOLUTION
Le guide et la chaîne chauffent et fument.	<ol style="list-style-type: none">1. Regarder si la chaîne est trop tendue.2. Réservoir d'huile vide.	<ol style="list-style-type: none">1. Tendre la chaîne. Voir Tension de la chaîne plus haut dans ce manuel.2. Vérifier le niveau d'huile du réservoir.
Le moteur tourne, mais la chaîne ne se met pas en rotation.	<ol style="list-style-type: none">1. Tension de la chaîne excessive.2. Vérifier l'ensemble guide et chaîne.3. S'assurer que l'ensemble guide et chaîne n'est pas endommagé.	<ol style="list-style-type: none">1. Retendre la chaîne selon les instructions du chapitre Tension de la chaîne, plus haut dans ce manuel.2. Voir Assemblage du guide et de la chaîne plus haut dans ce manuel.3. S'assurer que l'ensemble guide et chaîne n'est pas endommagé.



NOUS APPELER D'ABORD

Pour toute question concernant l'utilisation ou l'entretien utiliser ce produit, appeler le service d'assistance téléphonique RYOBI!

Le taille-bordures a été entièrement testé avant expédition pour assurer la complète satisfaction de l'utilisateur.

Ce produit est accompagné d'une garantie limitée de cinq (5) ans pour utilisation personnel, familiales ou domestiques (90 jours pour utilisation affaires ou commerciaux). Pour obtenir les détails de la garantie, visiter le site www.ryobitools.com ou appeler (sans frais) au 1-800-860-4050.

ADVERTENCIAS DE SEGURIDAD PARA HERRAMIENTAS ELÉCTRICAS



ADVERTENCIA

Lea todas las advertencias de seguridad y las instrucciones. La inobservancia de las advertencias e instrucciones puede causar descargas eléctricas, incendios o lesiones graves.

Guarde todas las advertencias e instrucciones para consultarlas en el futuro. El término “herramienta eléctrica” en las advertencias se refiere a las herramientas eléctricas que funcionan con corriente (con cordón) o las que funcionan con batería (inalámbricas).

ÁREA DE TRABAJO

- **Mantenga limpia y bien iluminada el área de trabajo.** Un área de trabajo mal despejada o mal iluminada propicia accidentes.
- **No utilice herramientas motorizadas en atmósferas explosivas, como las existentes alrededor de líquidos, gases y polvos inflamables.** Las herramientas eléctricas generan chispas que pueden encender el polvo y los vapores inflamables.
- **Mantenga alejados a los niños y circunstantes al maniobrar una herramienta eléctrica.** Toda distracción puede causar la pérdida del control de la herramienta.

SEGURIDAD ELÉCTRICA

- **Las clavijas de las herramientas eléctricas deben corresponder a las tomas de corriente donde se conectan. Nunca modifique la clavija de ninguna forma. No utilice ninguna clavija adaptadora con herramientas eléctricas dotadas de contacto a tierra.** Conectando las clavijas originales en las tomas de corriente donde corresponden se disminuye el riesgo de una descarga eléctrica.
- **Evite el contacto del cuerpo con las superficies de objetos conectados a tierra, como las tuberías, radiadores, estufas y refrigeradores.** Existe un mayor riesgo de descargas eléctricas si el cuerpo está haciendo tierra.
- **No exponga las herramientas eléctricas a la lluvia ni a condiciones de humedad.** La introducción de agua en una herramienta eléctrica aumenta el riesgo de descargas eléctricas.
- **No maltrate el cordón eléctrico. Nunca utilice el cordón para trasladar, desconectar o tirar de la herramienta eléctrica. Mantenga el cordón**

lejos del calor, aceite, bordes afilados y piezas móviles. Los cordones eléctricos dañados o enredados aumentan el riesgo de descargas eléctricas.

- **Al utilizar una herramienta eléctrica a la intemperie, use un cordón de extensión apropiado para el exterior.** Usando un cordón adecuado para el exterior se disminuye el riesgo de descargas eléctricas.
- **Si debe operar una herramienta en lugares húmedos, use un suministro protegido por un interruptor de circuito con pérdida a tierra (GFCI).** El uso de un GFCI reduce el riesgo de descargas eléctricas.

SEGURIDAD PERSONAL

- **Permanezca alerta, preste atención a lo que esté haciendo y aplique el sentido común al utilizar herramientas eléctricas. No utilice la herramienta eléctrica si está cansado o se encuentra bajo los efectos de alguna droga, alcohol o medicamento.** Un momento de inatención al utilizar una herramienta eléctrica puede causar lesiones corporales serias.
- **Utilice protección el equipo otros. Siempre póngase protección ocular.** El uso de equipo protector como mascarilla para el polvo, calzado de seguridad, casco y protección para los oídos en las circunstancias donde corresponda disminuye el riesgo de lesiones.
- **Evite que la herramienta se active accidentalmente. Asegúrese de que el interruptor esté en la posición de apagado antes de conectar la herramienta a un suministro de corriente o de colocar un paquete de baterías.** Transportar herramientas eléctricas con el dedo en el interruptor o enchufar herramientas eléctricas que tienen el interruptor encendido puede ocasionar accidentes.
- **Retire toda llave o herramienta de ajuste antes de encender la herramienta eléctrica.** Toda llave o herramienta de ajuste dejada en una pieza giratoria de la herramienta eléctrica puede causar lesiones.
- **No estire el cuerpo para alcanzar mayor distancia. Mantenga una postura firme y buen equilibrio en todo momento.** De esta manera se logra un mejor control de la herramienta eléctrica en situaciones inesperadas.

ADVERTENCIAS DE SEGURIDAD PARA HERRAMIENTAS ELÉCTRICAS

- **Vístase adecuadamente. No vista ropas holgadas ni joyas. Mantenga el cabello, la ropa y los guantes alejados de las piezas móviles.** Las ropas holgadas y las joyas, así como el cabello largo, pueden engancharse en las piezas móviles.
- **Si se suministran dispositivos para conectar mangueras de extracción y captación de polvo, asegúrese de que éstas estén bien conectadas y se usen correctamente.** El uso de la captación de polvo puede reducir los peligros relacionados con éste.

EMPLEO Y CUIDADO DE LA HERRAMIENTA ELÉCTRICA

- **No fuerce la herramienta eléctrica. Utilice la herramienta eléctrica adecuada para cada trabajo.** La herramienta eléctrica adecuada efectúa mejor y de manera más segura el trabajo, si además se maneja a la velocidad para la que está diseñada.
- **No utilice la herramienta si el interruptor no enciende o no apaga.** Cualquier herramienta eléctrica que no pueda controlarse con el interruptor es peligrosa y debe repararse.
- **Desconecte la clavija del suministro de corriente o retire el paquete de baterías de la herramienta eléctrica, según sea el caso, antes de efectuarle cualquier ajuste, cambiarle accesorios o guardarla.** Tales medidas preventivas de seguridad reducen el riesgo de poner en marcha accidentalmente la herramienta.
- **Guarde las herramientas eléctricas desocupadas fuera del alcance de los niños y no permita que las utilicen personas no familiarizadas con las mismas o con estas instrucciones.** Las herramientas eléctricas son peligrosas en manos de personas no capacitadas en el uso de las mismas.
- **Preste servicio a las herramientas eléctricas. Revise para ver si hay desalineación o atoramiento de piezas móviles, ruptura de piezas o cualquier otra condición que pueda afectar el funcionamiento de la herramienta. Si está dañada la herramienta eléctrica, permita que la reparen antes de usarla.** Numerosos accidentes son causados por herramientas eléctricas mal cuidadas.
- **Mantenga las herramientas de corte afiladas y limpias.** Las herramientas de corte bien

cuidadas y con bordes bien afilados, tienen menos probabilidad de atascarse en la pieza de trabajo y son más fáciles de controlar.

- **Utilice la herramienta eléctrica, los accesorios y brocas, hojas y cuchillas de corte, ruedas de esmeril, etc. de conformidad con estas instrucciones, tomando en cuenta las condiciones de trabajo y la tarea por realizar.** Si se utiliza la herramienta eléctrica para operaciones diferentes de las indicadas podría originar una situación peligrosa.

EMPLEO Y CUIDADO DE LA HERRAMIENTA DE BATERÍAS

- **Sólo cargue el paquete de baterías con el cargador especificado por el fabricante.** Un cargador adecuado para un tipo paquete de baterías puede significar un riesgo de incendio si se emplea con un paquete de baterías diferente.
- **Utilice las herramientas eléctricas sólo con los paquetes de baterías específicamente indicados.** El empleo de paquetes de baterías diferentes puede presentar un riesgo de incendio.
- **Cuando no esté utilizándose el paquete de baterías, manténgalo lejos de otros objetos metálicos, como clips, monedas, llaves, clavos, tornillos o otros objetos metálicos, pequeños que puedan establecer conexión entre ambas terminales.** Establecer una conexión directa entre las dos terminales de las baterías puede causar quemaduras o incendios.
- **Si se maltratan las baterías, puede derramarse líquido de las mismas; evite todo contacto con éste. En caso de contacto, lávese con agua. Si el líquido llega a tocar los ojos, además busque atención médica.** El líquido de las baterías puede causar irritación y quemaduras.
- **Apague el motor, espere hasta que todas las piezas se detengan y retire la paquete de baterías antes al limpiarla o darle mantenimiento.**
- **Nunca use agua ni otros líquidos para limpiar o enjuagar la product y no exponga la unidad a la lluvia ni de condiciones húmedas. Almacene la unidad en el interior en un lugar seco.** Los líquidos corrosivos, el agua, y los productos químicos pueden ingresar los componentes eléctricos del producto y/o al compartimiento de la batería y dañar los componentes eléctricos o el paquete de la batería, lo que podría resultar en un corto circuito, mayor riesgo de incendio y

ADVERTENCIAS DE SEGURIDAD PARA HERRAMIENTAS ELÉCTRICAS

lesiones personales graves. Retire la acumulación de suciedad y los residuos limpiando el producto con un trapo seco de manera ocasional.

SERVICIO

- **Permita que un técnico de reparación calificado preste servicio a la herramienta eléctrica, y sólo con piezas de repuesto idénticas.** De esta manera se mantiene la seguridad de la herramienta eléctrica.

- **Al dar servicio a una herramienta eléctrica, sólo utilice piezas de repuesto idénticas. Siga las instrucciones señaladas en la sección Mantenimiento de este manual.** El empleo de piezas no autorizadas o el incumplimiento de las instrucciones de mantenimiento puede significar un riesgo de descarga eléctrica o de lesiones.

ADVERTENCIAS DE SEGURIDAD DE LA MOTOSIERRA

- **Mantenga todas las partes del cuerpo alejadas de la motosierra mientras esté en funcionamiento. Antes de encender la motosierra, asegúrese de que no esté en contacto con nada.** Un momento de distracción mientras usa la motosierra puede hacer que la motosierra agarre su ropa o una parte de su cuerpo.
- **Siempre sostenga la motosierra con la mano derecha en el mango trasero y la mano izquierda en el mango delantero.** Sostener la motosierra con las manos invertidas aumenta el riesgo de sufrir lesiones personales y siempre debe evitarse.
- **Sostenga la herramienta eléctrica únicamente por las partes aisladas, porque la misma podría morder cables ocultos.** Si la motosierra toca un cable vivo, las piezas metálicas de la herramienta podrían energizarse y producirle una descarga eléctrica al operador.
- **Use gafas de seguridad y protección auditiva. También se recomienda usar equipo de protección para la cabeza, las manos, las piernas y los pies.** La indumentaria de protección adecuada reducirá las lesiones personales en caso de que salgan partículas despedidas o su cuerpo toque accidentalmente la motosierra.
- **No use la motosierra sobre un árbol.** Si usa la motosierra subido a un árbol, podría sufrir lesiones personales.
- **Siempre mantenga un buen apoyo y utilice la motosierra únicamente sobre superficies fijas, firmes y niveladas.** Las superficies resbaladizas o inestables como las escaleras pueden hacerle perder el equilibrio o el control de la motosierra.
- **Cuando corte una rama que esté sometida a tensión, esté atento al retorno.** Cuando se libera la tensión de las fibras de madera, la rama podría golpear al operador o lanzar la motosierra en forma descontrolada.
- **Tenga extremo cuidado al cortar maleza o retoños.** El material delgado podría quedar atrapado en la motosierra y salir disparado hacia usted o hacerle perder el equilibrio.
- **Transporte la motosierra apagada, lejos de su cuerpo y tomada del mango frontal. Siempre que transporte o almacene la motosierra, coloque la cubierta de la barra guía.** Manipular la motosierra correctamente reduce la probabilidad de tocar accidentalmente la cadena en movimiento.
- **Siga las instrucciones para lubricar la herramienta, tensionar la cadena y cambiar los accesorios.** Si la cadena no está correctamente tensionada o lubricada, podría romperse o presentar un mayor riesgo de que ocurra un contragolpe.
- **Mantenga los mangos secos, limpios y sin aceite ni grasa.** Los mangos con aceite o grasa son resbaladizos y pueden hacerle perder el control.
- **Corte únicamente madera. No use la motosierra para usos distintos de los previstos. Por ejemplo: no use la motosierra para cortar plástico, mampostería ni materiales de construcción que no sean de madera.** El uso de la motosierra para fines distintos de los previstos podría dar lugar a una situación de riesgo.

ADVERTENCIAS DE SEGURIDAD DE LA MOTOSIERRA

CAUSAS Y PREVENCIÓN DEL CONTRAGOLPE

Puede ocurrir un contragolpe cuando la punta de la barra guía toca un objeto o cuando la madera se cierra y pellizca la cadena de la sierra en el punto de corte.

En algunos casos, el contacto de la pieza de trabajo con la punta de la barra guía puede causar una reacción súbita en dirección inversa, la cual lanza la barra guía hacia arriba y hacia atrás, en dirección al operador.

El pellizcamiento de la cadena de la sierra en la parte superior de la barra guía puede empujar la barra rápidamente hacia atrás, en dirección al operador.

Cualquiera de estas dos reacciones puede causar la pérdida del control de la sierra, lo cual a su vez puede producir lesiones personales serias. No dependa exclusivamente de los dispositivos de seguridad incorporados de la sierra. Como usuario de una motosierra, debe tomar varias medidas para evitar los accidentes y las lesiones en todos sus trabajos de corte.

El contragolpe es el resultado de un uso indebido de la herramienta o de procedimientos o condiciones de utilización incorrectos, y se puede evitar tomando las precauciones apropiadas que se presentan a continuación:

- **Mantenga la herramienta bien sujeta, con los pulgares y los dedos alrededor de los mangos de la motosierra; sostenga la herramienta con ambas manos y posicione su cuerpo y su brazo de una forma que le permita resistir la fuerza de un contragolpe.** El operador puede controlar las fuerzas del contragolpe si toma las precauciones adecuadas. No suelte la motosierra.
- **No se estire ni corte por encima de la altura del pecho.** Esto ayuda a evitar el contacto accidental con la punta y permite un mejor control de la motosierra ante situaciones inesperadas.
- **Use únicamente barras y cadenas de repuesto indicadas por el fabricante.** El uso de barras y cadenas de repuesto incorrectas podría hacer que la cadena se rompa o que se produzcan contragolpes.
- **Siga las instrucciones de afilado y mantenimiento de la cadena de la sierra que provee el fabricante.** Disminuir la altura del calibrador de profundidad puede aumentar la probabilidad de que ocurra un contragolpe.

- No comience a cortar sino hasta tener despejada el área de trabajo, bien firmes los pies y una trayectoria planeada de retirada de la caída del árbol. Las áreas de trabajo mal despejadas propician accidentes.
- Mantenga a TODOS los niños, circunstantes, visitantes y animales fuera del área de trabajo al arrancar la motosierra o al estar cortando con la misma. No permita que los visitantes se acerquen a la motosierra o al cordón de extensión.
- No utilice la motosierra en atmósferas explosivas, como las existentes alrededor de líquidos, gases y polvos inflamables. Las motosierras generan chispas que pueden encender el polvo y los vapores inflamables.
- Vístase de forma adecuada – Póngase ropa ajustada. Siempre póngase pantalones largos gruesos, mangas largas, overoles, pantalones vaqueros o zahones (chaparreras) de material cortado resistente o que contengan partes incorporadas de tal material. Póngase calzado antideslizante. Póngase guantes antideslizantes para trabajo pesado con el fin de mejorar la sujeción de la unidad, y para protegerse las manos. No se ponga joyas, pantalones cortos o sandalias, ni ande descalzo. No se ponga ropa holgada, ya que puede ser atraída hacia adentro del motor o puede quedar atrapada en la cadena o en la maleza misma. Recójase el cabello de manera que le quede arriba del nivel de los hombros. Utilice protección para los ojos y para la cabeza.
- La ropa protectora pesada puede aumentar la fatiga del operador, lo cual puede originar un golpe de calor. En climas cálidos y húmedos, el trabajo pesado debe programarse para las primeras horas de la mañana o las últimas horas de la tarde, cuando las temperaturas son más bajas.
- Al utilizar esta herramienta, póngase protección para los ojos con protección lateral con la marca de cumplimiento de la norma ANSI Z87.1, así como protección para los oídos y la cabeza.
- En todo momento esté consciente de lo que está haciendo al utilizar la motosierra. Aplique el sentido común. No utilice la motosierra si está cansado, enfermo, o se encuentra bajo los efectos de alguna droga, alcohol o medicamento.
- No exponga la motosierra a la lluvia.
- No use la motosierra en lugares húmedos o mojados.

ADVERTENCIAS DE SEGURIDAD DE LA MOTOSIERRA

- Permanezca alerta y preste atención a lo que está haciendo. Actúe con sentido común al utilizar esta unidad.
- Mantenga todas las partes del cuerpo alejadas de la cadena de la sierra cuando esté funcionando la unidad.
- Nunca permita utilizar la motosierra a quien no haya recibido instrucciones adecuadas sobre la forma correcta de emplear la unidad. Esto se aplica tanto a las sierras alquiladas como a las propias.
- Antes de arrancar la unidad, asegúrese de que la cadena no esté tocando ningún objeto.
- Apague la motosierra antes de ponerla en reposo.
- Para evitar un arranque accidental; nunca traslade la unidad con el dedo en el gatillo del interruptor.
- Dé mantenimiento con cuidado a la unidad. Mantenga afilado el filo de corte y límpielo para lograr un desempeño óptimo de la unidad y para reducir el riesgo de lesiones. Siga las instrucciones para la lubricación y el cambio de accesorios.
- ¡No maneje la motosierra con una sola mano! Sujete firmemente los mangos de la motosierra, rodeándolos con los pulgares y los dedos restantes. Si se maneja con una sola mano la unidad, pueden resultar lesionados el operador, los ayudantes y demás personas presentes. La motosierra está hecha para ser manejada con las dos manos.
- Protege contra descargas eléctricas – Evite tocar con el cuerpo objetos conectados a tierra, como los tubos de metal y las cercas de alambre. Existe un mayor riesgo de descargas eléctricas si su cuerpo está en contacto con tierra.
- No utilice la motosierra si está dañada, mal ajustada o no está armada completamente y de manera que funcione de forma segura. La cadena debe aminorar la velocidad hasta detenerse completamente al soltarse el gatillo del interruptor. Si la cadena continúa desplazándose al soltarse el gatillo del interruptor, permita que presten servicio a la unidad en un establecimiento de servicio autorizado.
- Inspeccione para ver si hay piezas dañadas. Verifique la alineación de las partes móviles, que no haya atoramiento de partes móviles, que no haya piezas rotas, el montaje de las piezas y cualquier otra condición que pudiera afectar su funcionamiento. Cualquier protección o pieza que esté dañada debe ser reparada o reemplazada en un establecimiento de servicio autorizado, a menos que se indique otra cosa en este manual.
- Todas las tareas de servicio de la motosierra no señaladas en los apartados sobre funcionamiento y mantenimiento deben ser efectuados en el establecimiento de servicio autorizado.
- Siempre mantenga una postura correcta.
- No utilice la motosierra si el interruptor no enciende o no apaga. Lleve todo interruptor defectuoso a un centro de servicio autorizado para que lo reparen.
- No adapte la cabeza motriz de la sierra a ningún arco tipo sierra de mano, ni la use para accionar ningún accesorio o dispositivo no especificado para la sierra.
- Desconecte la motosierra del suministro de corriente cuando no la use, antes de darle servicio, al efectuarle ajustes y cambiarle aditamentos, como la cadena y la protección.
- No corte enredaderas ni maleza pequeña.
- No utilice ninguna motosierra subido en un árbol, en una escalera, tejado o en un andamio, o otro soporte inestable; es extremadamente peligroso.
NOTA: El tamaño del área de trabajo depende de la tarea, así como del tamaño del árbol o pieza de trabajo. Por ejemplo, para talar un árbol se requiere un área de trabajo más grande que para tronarlo.
- No fuerce la motosierra. La herramienta efectúa el trabajo mejor y de manera más segura si se maneja a la velocidad para la que está diseñada.
- Siempre utilice la herramienta adecuada a la tarea. La motosierra sólo debe emplearse para cortar madera. Nunca utilice la motosierra para cortar plástico, obras de albañilería ni materiales de construcción que no sean madera.
- Guarde la motosierra cuando no esté usándola. Debe guardarse la motosierra en un lugar seco y alto o cerrado con llave, lejos del alcance de los niños. Al guardar la motosierra coloque la funda en la barra y la cadena, y guarde la unidad en el estuche.
- Usar este producto únicamente con la baterías y el cargador indicados en el folleto de la herramienta/aparato/paquete de baterías/cargador complementario 988000-842.
- Las herramientas de baterías no necesitan conectarse a una toma de corriente; por lo tanto, siempre están en condiciones de funcionamiento. Esté consciente de los posibles peligros incluso si no está encendida la unidad.

ADVERTENCIAS DE SEGURIDAD DE LA MOTOSIERRA

- Retire el paquete de baterías de la motosierra antes de limpiar, dar servicio, guardar, quitar material, cambiar accesorios (como la barra y la cadena) a la unidad, o cuando no la tenga en uso.

CONTRAGOLPE

Vea las figuras 1 a 3.

⚠ ADVERTENCIA:

El contragolpe ocurre cuando la cadena en movimiento hace contacto con un objeto en la parte superior de la punta de la barra, o cuando la madera se cierra y pellizca la cadena de la sierra en el punto de corte. El contacto de la parte superior de la punta de la barra con la madera puede causar que la cadena se clave en el material y se detenga instantáneamente. El resultado es una reacción súbita en dirección inversa, la cual lanza la barra guía hacia arriba y hacia atrás, en la dirección donde se encuentra el operador. Si la cadena de la sierra se pellizca en el corte, a lo largo de la parte superior de la barra guía, puede causarse un rápido empuje de dicha barra hacia atrás, en la dirección donde se encuentra el operador. Cualquiera de estas dos reacciones puede originar una pérdida de control, la cual a su vez podría ser causa de lesiones serias. No dependa exclusivamente de los dispositivos de seguridad incorporados en la sierra. Como usuario de una motosierra, debe tomar varias medidas para evitar accidentes y lesiones en todos sus trabajos de corte.

■ Deben seguirse las siguientes medidas de precaución para reducir al mínimo el contragolpe:

- Siempre sujete firmemente la sierra con ambas manos. Sujete la sierra firmemente con ambas manos cuando esté encendida. Coloque la mano derecha en el mango trasero y la izquierda en el mango delantero, rodeando ambos con los pulgares y los dedos restantes. Una sujeción firme con el brazo izquierdo rígido le ayuda a mantener el control de la sierra si ésta llega a dar un contragolpe.
- Asegúrese de que no haya obstrucciones en el área donde esté cortando. No permita que la punta de la barra guía entre en contacto con ningún tronco, rama, cerca, o cualquier otra obstrucción a la que le pueda pegar al estar operando la sierra.

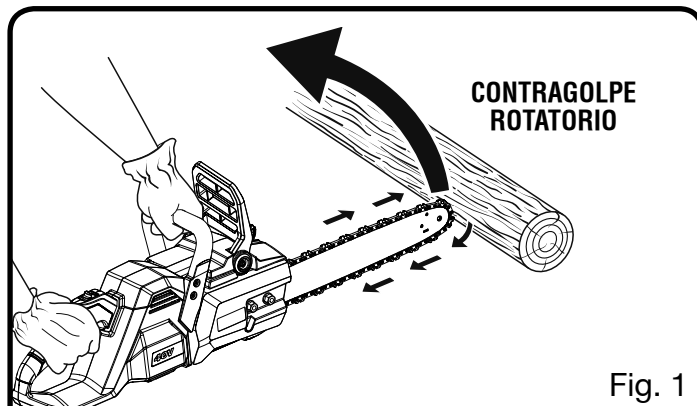


Fig. 1

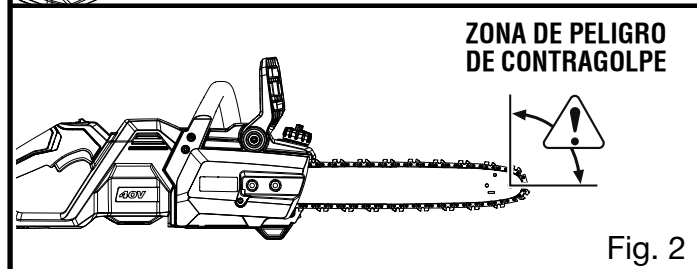


Fig. 2

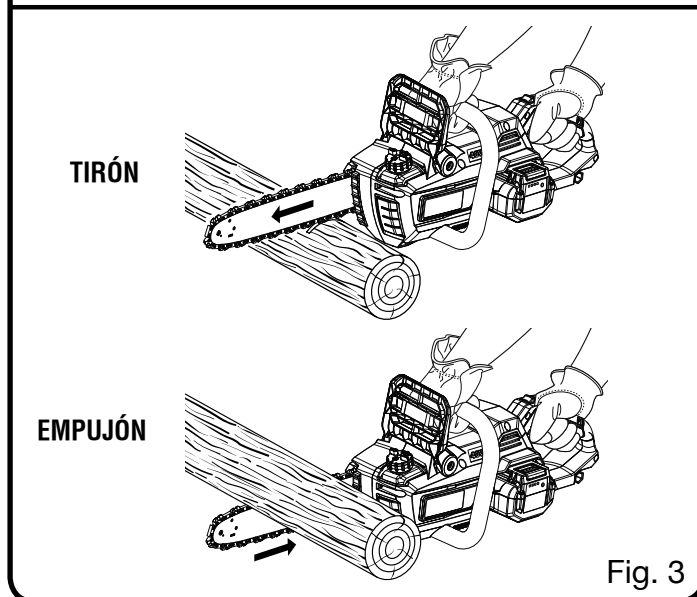


Fig. 3

- Siempre corte con la unidad funcionando a plena velocidad. Oprima completamente el gatillo del acelerador y mantenga una velocidad de corte estable.
- Utilice piezas de repuesto como la cadena de bajo contragolpe, freno de la cadena y barras guía especiales, los cuales reducen los riesgos relacionados con el contragolpe rotatorio. Sólo use las barras guía y las cadenas de contragolpe moderado de repuesto especificadas por el fabricante para su sierra en particular.

ADVERTENCIAS DE SEGURIDAD DE LA MOTOSIERRA

- Con un conocimiento básico del contragolpe de la sierra, puede reducir o incluso eliminar el elemento sorpresa. La sorpresa súbita contribuye a los accidentes.
- No estire el cuerpo para alcanzar mayor distancia. Mantenga una postura firme y buen equilibrio en todo momento.
- No trate de cortar objetos fuera de su alcance, ni arriba de la altura del pecho. No permita que la punta de la barra guía entre en contacto con ningún tronco, rama, la tierra, o cualquier otra obstrucción al estar operando la sierra.
- Siga las instrucciones de afilado y mantenimiento correspondientes a la cadena de la sierra.
- Empujón y tirón – Esta fuerza de reacción es siempre opuesta a la dirección en que está moviéndose la cadena donde hace contacto con la madera. Así, el operador debe estar preparado para controlar el TIRÓN al cortar por el borde inferior de la barra guía, y el EMPUJÓN al cortar por el borde superior de dicha barra. *Vea la figura 3.*

EXPLICACIÓN DE LOS DISPOSITIVOS DE SEGURIDAD DE LA MOTOSIERRA

CADENA DE SIERRA DE CONTRAGOLPE MODERADO

Los dientes limpiadores (calibres de profundidad) situados delante de cada diente de corte pueden reducir al mínimo la fuerza de la reacción de contragolpe al evitar que los dientes de corte se introduzcan demasiado profundamente en la zona de

contragolpe. Sólo use una cadena de repuesto que equivalga a la cadena original o que esté certificada como cadena de contragolpe moderado según la norma ANSI B175.1.

La cadena de contragolpe moderado es una cadena que satisface los requisitos relativos al nivel de contragolpe estipulados en la norma ANSI B175.1 – 2012 (Norma Nacional Americana para Herramientas Motorizadas – Requisitos de Seguridad para Sierras de Cadena de Gasolina) al probarse en una muestra representativa de las sierras de cadena abajo del nivel 3.8 c.i.d. especificado en la norma ANSI B175.1 – 2012.

A medida que las cadenas de sierra se afilan durante su vida de servicio, pierden algo de su capacidad de disminución del contragolpe y debe tenerse mayor precaución.

BARRAS GUÍA




En general, las barras guía con puntas de radio pequeño tienen una capacidad de disminución del contragolpe un poco menor.

Al efectuar un remplazo, asegúrese de pedir una de las barras RYOBI indicadas para su sierra en particular en este manual del operador. En la punta de la barra viene montada la protección.







- **Guarde estas instrucciones.** Consúltelas con frecuencia y empléelas para instruir a otras personas que puedan utilizar esta producto. Si presta a alguien esta producto, facilítele también las instrucciones.

SÍMBOLOS

Las siguientes palabras de señalización y sus significados tienen el objeto de explicar los niveles de riesgo relacionados con este producto.








SÍMBOLO	SEÑAL	SIGNIFICADO
	PELIGRO:	Indica una situación peligrosa, la cual, si no se evita, causará la muerte o lesiones serias.
	ADVERTENCIA:	Indica una situación peligrosa, la cual, si no se evita, podría causar la muerte o lesiones serias.
	PRECAUCIÓN:	Indica una situación peligrosa, la cual, si no se evita, podría causar lesiones menores o leves.
	AVISO:	(Sin el símbolo de alerta de seguridad) Indica la información que se considera importante, pero no relacionada con lesiones potenciales (por ej. en relación a daños a la propiedad).

Es posible que se empleen en este producto algunos de los siguientes símbolos. Le suplicamos estudiarlos y aprender su significado. Una correcta interpretación de estos símbolos le permitirá utilizar mejor y de manera más segura la producto.

SÍMBOLO	NOMBRE	DENOMINACIÓN/EXPLICACIÓN
	Alerta de seguridad	Indica un peligro posible de lesiones personales.
	Lea el manual del operador	Para reducir el riesgo de lesiones, el usuario debe leer y comprender el manual del operador antes de usar este producto.
	Póngase protección para los ojos, los oídos y la cabeza	Al utilizar este equipo, póngase protección para los ojos con protección lateral con la marca de cumplimiento de la norma ANSI Z87.1, así como protección para los oídos y la cabeza.
	Alerta de condiciones húmedas	No exponga la batería, el compartimento de la batería o componentes electrónicos a la lluvia, el agua o líquidos.
	Use las dos manos	Sujete y opere la sierra debidamente con ambas manos.
	Con una mano	No maneje la motosierra con una sola mano.

SÍMBOLOS

Es posible que se empleen en este producto algunos de los siguientes símbolos. Le suplicamos estudiarlos y aprender su significado. Una correcta interpretación de estos símbolos le permitirá utilizar mejor y de manera más segura la producto.

SÍMBOLO	NOMBRE	DENOMINACIÓN / EXPLICACIÓN
	Contragolpe	¡PELIGRO! ESTÉ ALERTA DE UN POSIBLE CONTRAGOLPE.
	Contacto de la punta de la barra con el material	Evite el contacto del material con la punta de la barra.
	Póngase guantes	Al manejar la motosierra póngase guantes protectores antideslizantes de uso pesado.
	Póngase calzado de seguridad	Cuando utilice este equipo póngase zapatos de seguridad antideslizantes.
	Evite las cables eléctricos/Mantenga alejadas a las personas presentes	¡PELIGRO! ¡Riesgo de electrocución! No trabaje a menos de 15 m (50 pies) de cables eléctricos . Durante las operaciones de tala de árboles, mantenga a todos los circunstantes y animales a una distancia mínima de 15 metros (50 pies) o lo menos el doble de la altura de los árboles más altos presentes en el área de la tala.
	Indicador del nivel de aceite	Vierta lubricante para la barra y la cadena en el tanque de aceite en los momentos indicados. No utilizar para ningún otro líquido.
	Símbolo de reciclado	Este producto utiliza baterías iones de litio. Es posible que algunas leyes municipales, estatales o federales prohíban desechar las baterías en la basura normal. Consulte a las autoridades reguladoras de desechos para obtener información en relación con las alternativas de reciclado y desecho disponibles.
V	Voltios	Voltaje
—	Corriente continua	Tipo o característica de corriente

GLOSARIO DE TÉRMINOS

Tronzado

Es el proceso de cortar transversalmente un árbol o tronco talado en tramos.

Cabeza motriz de la motosierra

Es la motosierra sin la cadena de aserrar ni la barra guía.

Rueda dentada de impulsión

Es la pieza dentada que impulsa la cadena de la sierra.

Tala

Es el proceso de cortar un árbol para derribarlo.

Corte trasero de tala

Es el corte final de la operación de tala de un árbol, el cual se efectúa en el lado opuesto al del corte de muescado.

Protector delantero de la mano

Es una barrera protectora estructural situada entre el mango delantero de una motosierra y la barra guía, normalmente localizada cerca de la posición de la mano en el mango delantero.

Mango delantero

Es el mango de soporte situado en la parte frontal de la motosierra, o en esa dirección. Este mango es para la mano izquierda.

Barra guía

Es una estructura sólida con un riel, la cual sirve para sostener y guiar la cadena de la sierra.

Contragolpe

Es el movimiento de la barra guía hacia atrás o hacia arriba, o ambos, el cual ocurre cuando la cadena de aserrar, cerca de la parte superior de la punta de la barra guía, toca cualquier objeto como un tronco o rama, o cuando la madera se cierra y pellizca la cadena en la abertura del corte.

Contragolpe por pellizco

Es el rápido empuje de la sierra hacia atrás, el cual puede ocurrir cuando la madera se cierra y pellizca la cadena en movimiento en el corte a lo largo de la parte superior de la barra guía.

Contragolpe rotatorio

Es el movimiento rápido de la sierra hacia arriba y hacia atrás, el cual puede ocurrir cuando la cadena en movimiento, cerca de la parte superior de la punta de la barra guía, toca un objeto como un tronco o una rama.

Seguro de apagado del interruptor

Es un seguro movable que si no se acciona manualmente, impide una opresión involuntaria del interruptor.

Cadena de contragolpe moderado

Es una cadena que cumple con los requisitos relativos al nivel de contragolpe estipulados en la norma ANSI B175.1 al probarse en una muestra representativa de las sierras de cadena.

Posición normal de corte

Son aquellas posiciones adoptadas para efectuar los cortes de tronzado y de tala de árboles.

Corte de muescado

Es un corte en forma de muesca efectuado para dirigir la caída del árbol.

Mango trasero

Es el mango de soporte situado en la parte trasera de la motosierra, o en esa dirección. Es donde normalmente está alojado el gatillo del interruptor. Este mango es para la mano derecha.

Barra guía de contragolpe reducido

Es una barra guía la cual se ha demostrado que reduce el contragolpe de manera notable.

Cadena de repuesto de la sierra

Es una cadena que cumple con los requisitos relativos al nivel de contragolpe estipulados en la norma ANSI B175.1 al probarse con ciertas sierras de cadena en particular. Es posible que no cumpla con los requisitos de desempeño de la norma ANSI al emplearse con otras sierras.

Cadena de aserrado

Es una cadena en forma de collar, con dientes de corte para cortar madera, la cual es impulsada por un motor y está soportada por la barra guía.

Pértiga

Es un árbol pequeño (un árbol joven) o rama que está doblado o atrapado bajo tensión. Puede saltar hacia atrás rápidamente al cortarse, causando así una situación peligrosa.

Gatillo del interruptor

Es un dispositivo que al accionarse abre o cierra el circuito de la corriente eléctrica del motor de la motosierra.

CARACTERÍSTICAS

ESPECIFICACIONES DEL PRODUCTO

Motor..... 40 V C.C.
Longitud de la barra.....355,6 mm (14 pulg.)
Capacidad del tanque de aceite de la cadena..... 177 ml (6 oz.)

NOTA: Esta sierra fue diseñada para uso ligero ocasional, y tiene algunas limitaciones en cuanto a lo que puede cortar.

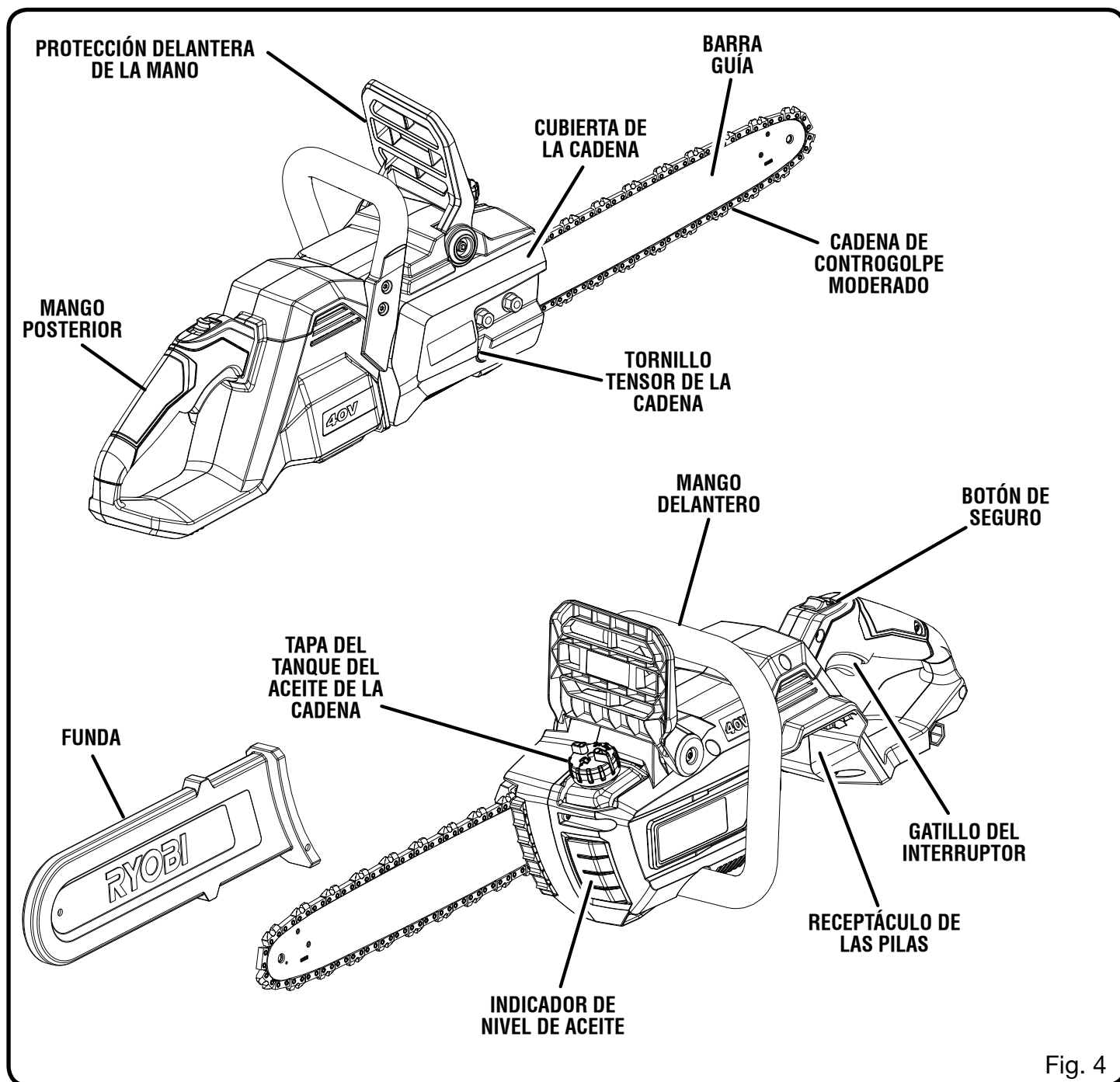


Fig. 4

CARACTERÍSTICAS

FAMILIARÍCESE CON LA MOTOSIERRA

Vea la figura 4.

Para usar este producto con la debida seguridad se debe comprender la información indicada en la herramienta misma y en este manual, y se debe comprender también el trabajo que intenta realizar. Antes de usar este producto, familiarícese con todas las características de funcionamiento y normas de seguridad del mismo.

PERILLA DE TENSADO DE LA CADENA

Esta pieza permite ajustar la tensión de la cadena.

BARRA GUÍA

La barra guía instalada en la fábrica dispone de una punta de radio pequeño, la cual ofrece una capacidad de disminución del contragolpe un poco menor.

BOTÓN DE SEGURO

Es una característica de control cuyo fin es evitar un arranque accidental del motor.

CADENA DE SIERRA DE CONTRAGOLPE MODERADO

La cadena de contragolpe moderado de la sierra reduce al mínimo la fuerza de la reacción de contragolpe al evitar que los dientes de corte se introduzcan demasiado profundamente en la zona de contragolpe.

INDICADOR DE NIVEL DE ACEITE

Es un tanque semitransparente de aceite que permite ver cuándo reabastecerlo de aceite.

GATILLO DEL INTERRUPTOR

Para accionar la unidad después de ponerse el seguro de apagado del interruptor, oprima el gatillo. Para detener la unidad, suelte el gatillo.

ARMADO

DESEMPAQUETADO

Embarcamos este producto completamente armado.

- Extraiga cuidadosamente de la caja el producto y los accesorios. Asegúrese de que estén presentes todos los artículos enumerados en la lista de empaquetado.



ADVERTENCIA:

No utilice este producto si alguna pieza incluida en la lista de empaquetado ya está ensamblada al producto cuando lo desempaqueta. El fabricante no ensambla las piezas de esta lista en el producto. Éstas deben ser instaladas por el usuario. El uso de un producto que puede haber sido ensamblado de forma inadecuada podría causar lesiones personales graves.

- Inspeccione cuidadosamente el producto para asegurarse de que no haya sufrido ninguna rotura o daño durante el transporte.

- No deseche el material de empaquetado hasta que haya inspeccionado cuidadosamente el producto y la haya utilizado satisfactoriamente.
- Si hay piezas dañadas o faltantes, le suplicamos llamar al 1-800-860-4050, donde le brindaremos asistencia.

LISTA DE EMPAQUETADO

Motosierra con funda

Llave de combinación

Manual del operador



ADVERTENCIA:

Si falta o está dañada alguna pieza, no utilice este producto sin haber reemplazado la pieza. Usar este producto con partes dañadas o faltantes puede causar lesiones serias al operador.

ARMADO

ADVERTENCIA:

No intente modificar este producto ni hacer accesorios no recomendados para la misma. Cualquier alteración o modificación constituye maltrato, el cual puede causar una condición peligrosa, y como consecuencia posibles lesiones corporales serias.

ADVERTENCIA:

Para evitar un arranque accidental que podría causar lesiones corporales graves, siempre desconecte el cable de la bujía del motor de la bujía misma al ensamblar las piezas.

FUNCIONAMIENTO

PELIGRO:

Nunca couper cerca de líneas de corriente, cordón eléctrico o de otras fuentes eléctricas. Si mermeladas de barra y cadena en alguna cordón del eléctrica o líneas, ¡NO TOQUE LA BARRA NI LA CADENA! PUEDE CARGARSE DE ELECTRICIDAD Y SER MUY PELIGROSA. Continúe sujetando las motosierra por el mango trasero, el cual está aislado, o déjela reposar lejos de usted, de alguna forma segura. Desconecte el servicio de corriente eléctrica conectado a la línea o cordón dañado antes de intentar liberar de éste(a) la hoja. Contacte con la barra, la cadena, otras partes conductivas de la motosierra, o viven cordón eléctrico o líneas eléctricas puede producir la muerte por electrocución, una descarga eléctrica o lesiones serias.

ADVERTENCIA:

No permita que su familiarización con este producto lo vuelva descuidado. Tenga presente que un descuido de un instante es suficiente para causar una lesión grave.

ADVERTENCIA:

Siempre póngase protección ocular con la marca de cumplimiento de la norma ANSI Z87.1 junto con protección para los oídos. Si no cumple esta advertencia, los objetos que salen despedidos pueden producirle lesiones serias en los ojos.

ADVERTENCIA:

No utilice ningún aditamento o accesorio no recomendado por el fabricante de este producto. El empleo de aditamentos o accesorios no recomendados podría causar lesiones serias.

ADVERTENCIA:

Nunca tale un árbol o corte un tronco o una rama cuyo diámetro sea mayor que la longitud de la barra. Únicamente profesionales debidamente capacitados deben realizar estos cortes. Realizar este tipo de cortes puede provocar accidentes y ocasionar graves lesiones personales.

FUNCIONAMIENTO

AVISO:

Antes de cada uso, inspeccione todo el producto para detectar partes dañadas, faltantes o sueltas, como tornillos, tuercas, pernos, tapas, etc. Apriete firmemente todos los sujetadores y las tapas y no accione este producto hasta que todas las partes faltantes o dañadas sean reemplazadas. Póngase en contacto con el servicio al cliente o con un centro de servicio calificado para obtener ayuda.

APLICACIONES

Este producto puede emplearse para los fines siguientes:

- Desramado y poda de árboles
- Tala de árboles pequeños
- Tronzado del árbol talado en tramos más cortos.

PARA DESMONTAR Y MONTAR EL PAQUETE DE BATERÍAS

Vea la figura 5.

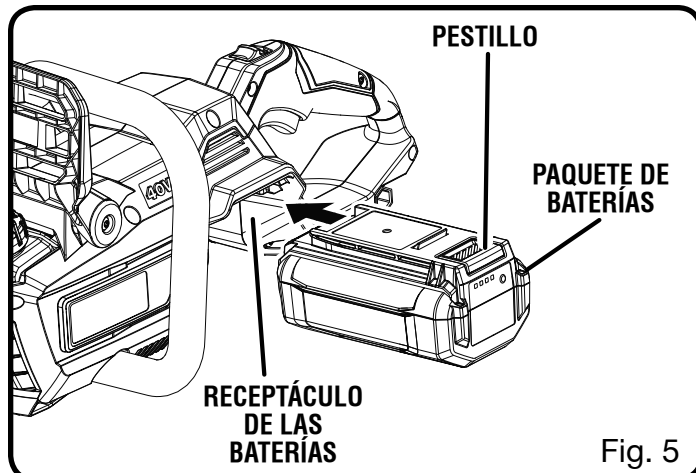
⚠ ADVERTENCIA:

Retire siempre el paquete de baterías de la herramienta antes de instalar las piezas, realizar ajustes, limpiarla o cuando no la utilice. Retirar el paquete de baterías evitará que la unidad se accione accidentalmente y provoque lesiones graves.

NOTA: Para evitar lesiones corporales serias, siempre desmonte de la herramienta el paquete de baterías y mantenga manos vacías del botón del seguro al llevar herramienta.

Para conectar:

- Coloque el paquete de baterías en la motosierra. Alinee la costilla realzada del paquete de baterías con la ranura interior del receptáculo para baterías de la motosierra.
- Asegúrese de que la traba de la parte inferior del paquete de baterías quede insertada en su lugar y de que el paquete de baterías esté firme en la motosierra antes de poner la máquina en funcionamiento.



⚠ ADVERTENCIA:

Asegúrese de que el pestillo (o los pestillos) del paquete de baterías entre adecuadamente en su lugar y que el paquete de baterías esté bien colocado y asegurado en el puerto de batería del cabezal motor antes de que encenderla. No asentar el paquete de baterías correctamente podría provocar que el paquete de baterías se caiga y cause lesiones personales graves.

Para el desmontaje:

Localice la traba de la parte inferior del paquete de baterías y presione ambos laterales para soltar el paquete de baterías de la motosierra.

AVISO:

Al colocar el paquete de baterías en la motosierra, asegúrese de que la costilla realzada del mismo quede alineada con la ranura interior del receptáculo para baterías de la sierra, y de que los pestillos entren adecuadamente en su lugar con un chasquido. Si no se monta debidamente el paquete de baterías pueden dañarse los componentes internos.

Para obtener instrucciones específicas de carga, lea el manual del operador que se incluye con el cargador y la batería.

FUNCIONAMIENTO

SISTEMA LUBRICACIÓN DE LA CADENA

Vea la figura 6.

AVISO:

Retire el paquete de baterías de la unidad. Llene el tanque de aceite con lubricante para la barra y la cadena antes de arrancar la motosierra (no suministrados). Si no se lubrica la cadena pueden causarse daños a la barra y a la cadena.

- Use aceite para barra y cadena (no suministrados). Está formulado para desempeñarse en una amplia gama de temperaturas sin requerir diluirse.

NOTA: No use aceite sucio, usado o contaminado de ninguna forma. Puede dañarse la barra o la cadena.

- Cuidadosamente vierta el aceite para la barra y la cadena en el tanque correspondiente.
- Check and fill the oil tank when battery is recharged, or as needed.

NOTA: Es normal que el aceite se escurra de la sierra cuando no está ésta en uso. Para evitar el escurrimiento, vacíe el tanque de aceite cada vez después de usar la unidad. Al guardar la unidad durante un largo período de tiempo (tres meses o más), asegúrese de lubricar ligeramente la cadena; de esta manera se evita la oxidación de la cadena y de la rueda dentada de la barra.

AVISO:

Antes de cada uso, asegúrese de que la cadena esté tensionada correctamente. Una cadena fría está tensionada correctamente cuando no hay flacidez en la parte inferior de la barra guía, la cadena está ajustada y puede girarse con la mano sin amarrar. Durante el uso normal de la sierra, la temperatura de la cadena aumenta. Los eslabones motrices de una cadena caliente correctamente tensionada colgarán aproximadamente 1,27 mm (0,05 pulg.) por fuera de la ranura de la barra.

Consulte las instrucciones de **Ajuste de la tensión de la cadena** en la sección de *Mantenimiento* de este manual para ajustarla adecuadamente.

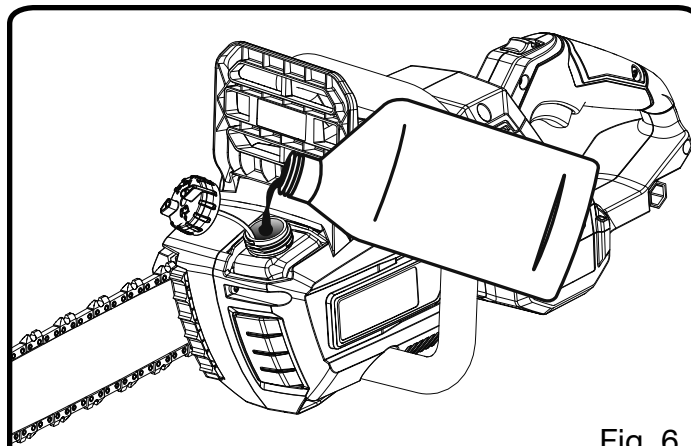


Fig. 6

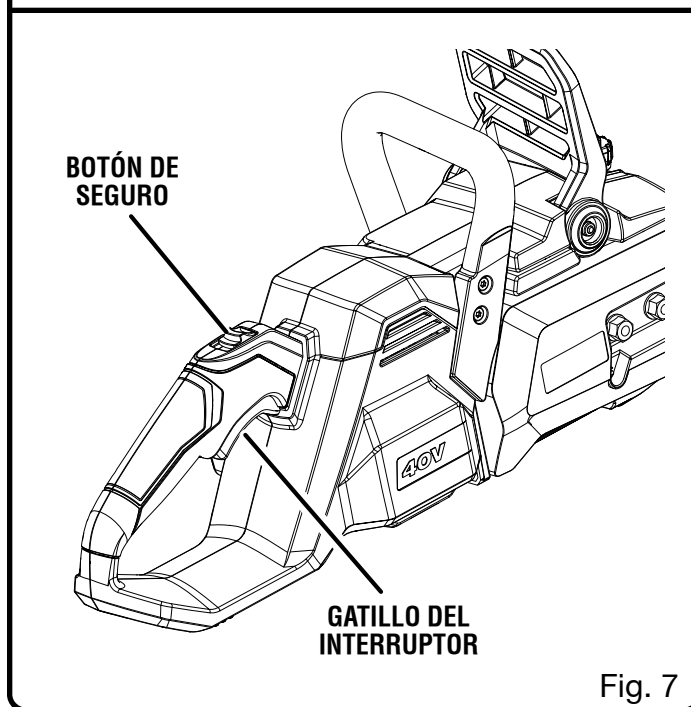


Fig. 7

ENCENDIDO Y APAGADO DE LA MOTOSIERRA

Vea la figura 7.



ADVERTENCIA:

Mantenga el cuerpo a la izquierda del plano de la cadena. Nunca se coloque a horcadas por encima de la sierra o de la cadena, ni incline el cuerpo a través del plano de la cadena. El uso inadecuado de la motosierra puede causar lesiones graves.

FUNCIONAMIENTO

Encendido de la motosierra:

- Oprima y no suelte el botón de seguro del gatillo. Con esto se vuelve capaz de funcionar el gatillo del interruptor.
- Oprima y no suelte el gatillo del interruptor, suelte el botón de seguro del gatillo y continúe oprimiendo el gatillo del interruptor para continuar operando la unidad.

Apagado de la motosierra:

- Suelte el gatillo del interruptor cuando desee apagar la motosierra.
- Al soltar el gatillo del interruptor, el botón de seguro del gatillo regresa automáticamente a la posición de inmovilización de este último.

Esta sierra inalámbrica de cadena está diseñada para corte de desramado y poda, así como para talar pequeña árboles.

PREPARACIÓN PARA EL CORTE

SUJECIÓN CORRECTA DE LOS MANGOS

Vea las figuras 8 a 10.

Con respecto al equipo de seguridad adecuado, consulte la sección *Advertencias de seguridad para herramientas eléctricas* más arriba en este manual.

- Póngase guantes antideslizantes para lograr una capacidad de sujeción y protección máximas.
- Sujete la sierra firmemente con ambas manos. Siempre mantenga la mano izquierda en el mango delantero y la mano derecha en el mango trasero, de manera que su cuerpo quede a la izquierda del plano de la cadena.



ADVERTENCIA:

Nunca use sujete la unidad a zurdas (con la posición de las manos intercambiada), ni con el cuerpo en ninguna postura que pueda colocar el mismo o el brazo a través del plano de la cadena. El uso inadecuado de la motosierra puede causar lesiones graves.

- Mantenga una sujeción adecuada de la sierra siempre que esté funcionando el motor. Los dedos deben rodear el mango, con el pulgar doblado bajo la barra del mismo. Esta forma de sujeción es la que tiene menor probabilidad de fallar (por un contragolpe o cualquier otra reacción súbita de

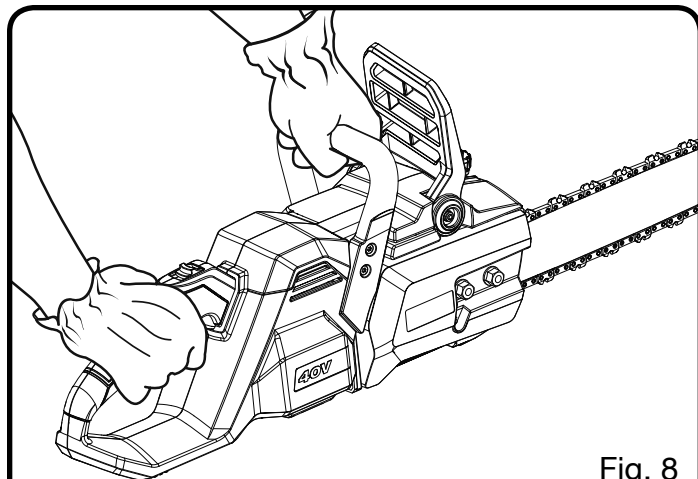


Fig. 8

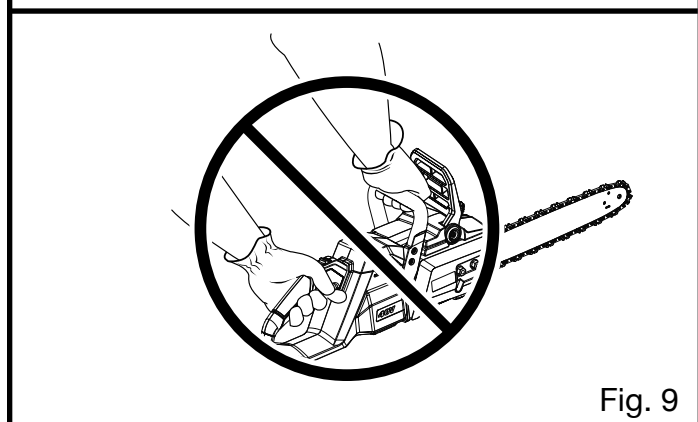


Fig. 9

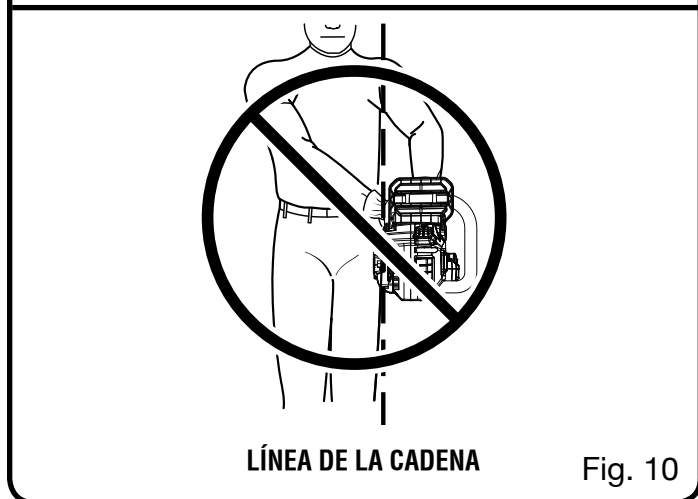


Fig. 10

la sierra). Cualquier forma de sujeción en la cual el pulgar y los dedos restantes están en el mismo lado del mango es peligrosa, debido a que incluso un contragolpe leve de la sierra puede originar la pérdida del control.

FUNCIONAMIENTO

⚠️ ADVERTENCIA:

No accione el gatillo del interruptor con la mano izquierda, sujetando el mango delantero con la mano derecha. Nunca permita que ninguna parte del cuerpo cruce el plano de la cadena mientras esté funcionando la sierra. El uso inadecuado de la motosierra puede causar lesiones graves.

POSTURA CORRECTA PARA EL CORTE

Veá las figuras 11 y 12.

⚠️ ADVERTENCIA:

Siempre utilice la postura de corte correcta que se describe en esta sección. Nunca se arrodille cuando utilice la motosierra, salvo cuando tale un árbol según se ilustra en la figura 12. Si se arrodilla podría perder la estabilidad y el control de la motosierra, y eso podría derivar en lesiones personales graves.

- El peso debe quedar distribuido de forma equilibrada con ambos pies en suelo firme.
- Mantenga el brazo izquierdo con el codo rígido en posición de “brazo recto” para poder tolerar la fuerza de cualquier contragolpe.
- Su cuerpo debe estar siempre a la izquierda del plano de la cadena.
- Mantenga el pulgar bajo la barra del mango.

PROCEDIMIENTO BÁSICO DE CORTE

Practique cortando unos pocos troncos pequeños aplicando la siguiente técnica para acostumbrarse al manejo de la sierra antes de comenzar una tarea de corte de mayores proporciones.

- Adopte una postura correcta del cuerpo frente a la madera, con la sierra apagada.
- Oprima el gatillo del interruptor y permita a la cadena acelerarse a plena velocidad antes de iniciar el corte.

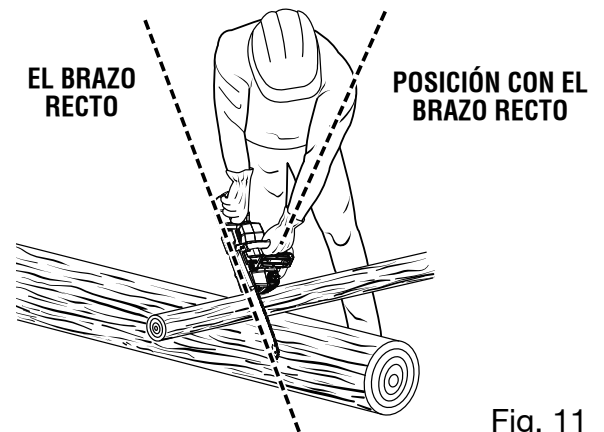


Fig. 11



Fig. 12

- Inicie el corte poniendo la sierra contra el tronco.
- Mantenga encendida la unidad todo el tiempo que esté cortando; mantenga una velocidad uniforme.
- Permita que la cadena efectúe el corte; sólo aplique una leve presión hacia abajo. Si fuerza el corte, puede dañarse la barra, la cadena o la unidad.
- Suelte el gatillo del interruptor tan pronto como termine el corte, permitiendo así detenerse a la cadena. Si acciona la sierra a la aceleración máxima cortando en vacío, puede ocurrir un desgaste innecesario de la cadena, de la barra y de la unidad.
- No aplique presión en la sierra al final del corte.

FUNCIONAMIENTO

PRECAUCIONES EN EL ÁREA DE TRABAJO

Veá la figuras 13.

- Sólo corte madera o materiales hechos de madera; no corte lámina metálica, plásticos, obras de albañilería ni materiales de construcción que no sean de madera.
- Nunca permita utilizar la sierra a ningún niño. No permita utilizar la sierra a ninguna persona que no haya leído este manual del operador o no haya recibido instrucciones adecuadas sobre la forma correcta de emplear esta motosierra.
- Mantenga a todas las personas, ayudantes, circunstantes, niños y animales a una distancia segura del área de corte. Durante las operaciones de tala de árboles, una distancia segura es por lo menos el doble de la altura de los árboles más altos presentes en el área de la tala. Durante las tareas de tronzado (corte en tramos más pequeños), mantenga una distancia mínima de 15 pies (4,5 metros) entre los trabajadores.
- Siempre corte con ambos pies bien apoyados en suelo sólido para evitar perder el equilibrio.
- No corte arriba de la altura del pecho, ya que si se tiene la sierra más arriba de esa altura, es difícil de controlar bajo la fuerza del contragolpe.
- No corte árboles cerca de cables eléctricos o de edificios. Deje tal operación a los profesionales.
- Corte solamente cuando al visibilidad y la luz sean adecuadas para ver claramente.

TALA DE ÁRBOLES

Veá las figuras 13 a 16.

CONDICIONES PELIGROSAS



ADVERTENCIA:

No tale árboles durante períodos de viento o lluvia intensos. Espere hasta que cese el tiempo peligroso.

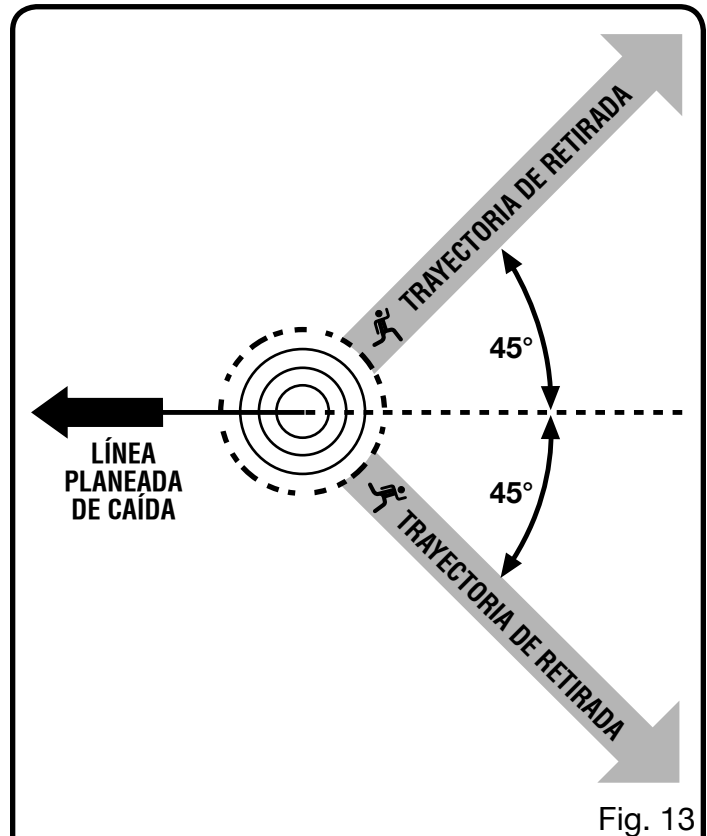


Fig. 13

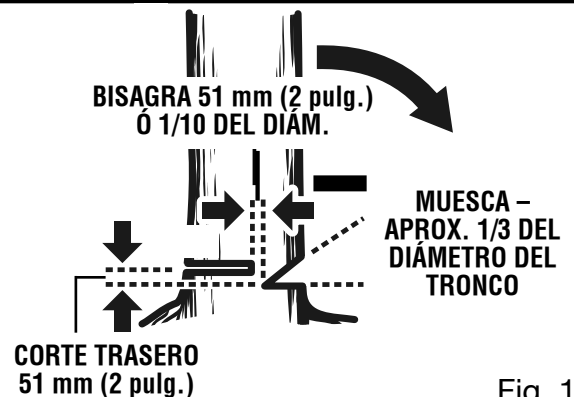


Fig. 14

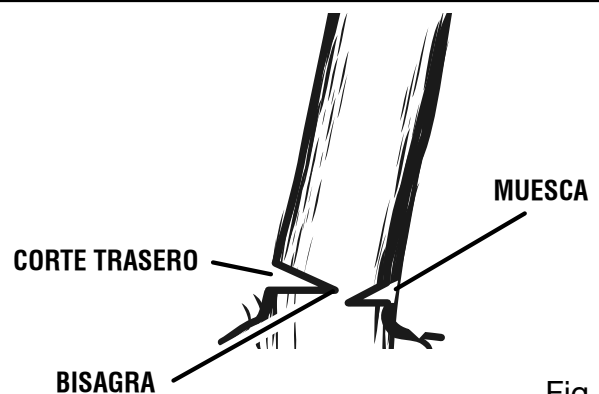


Fig. 15

FUNCIONAMIENTO

ADVERTENCIA:

Controle con cuidado que no haya ramas rotas o muertas que puedan caer mientras tala, y no tala cerca de edificios o cables eléctricos si no sabe en qué dirección caerá el árbol. No tala de noche o con malas condiciones climáticas como lluvia, nieve o fuertes vientos, porque tendrá menor visibilidad y menor control de la motosierra. Si el árbol que está talando cae sobre una línea de transmisión de algún servicio, deje de usar la motosierra y notifique de inmediato a la compañía de servicios. No seguir estas instrucciones podría causar la muerte o lesiones personales graves.

Al talar un árbol, es muy importante que siga estrictamente estas advertencias e instrucciones para evitar la muerte u otras lesiones personales serias.

- No corte árboles extremadamente delgados ni árboles grandes con ramas podridas, corteza suelta o troncos huecos. Permita que expertos derriben estos árboles con equipo pesado de empuje o arrastre, y después recórtelos.
- No corte árboles cerca de cables eléctricos o de edificios.
- Revise cada árbol para ver si tiene ramas muertas que pudiesen caer y golpearlo al talar aquél.
- Periódicamente eche un vistazo a la copa del árbol durante el corte trasero, para asegurarse de que caiga en la dirección deseada.
- Si el árbol comienza a caer en una dirección equivocada, o si la sierra se pellizca o queda colgada en el tronco durante la caída del árbol, ¡deje la sierra y sálvese!
- Tala de árboles — Cuando las tareas de tronzado (corte en tramos más pequeños) y de tala de árboles son efectuadas por dos o más personas al mismo tiempo, la operación de tronzado de un árbol previamente talado debe separarse de la de la tala del árbol siguiente por una distancia igual al doble de la altura del árbol que esté talándose en ese momento. Debe evitarse cortar los árboles de una manera que pudieran poner en peligro a cualquier

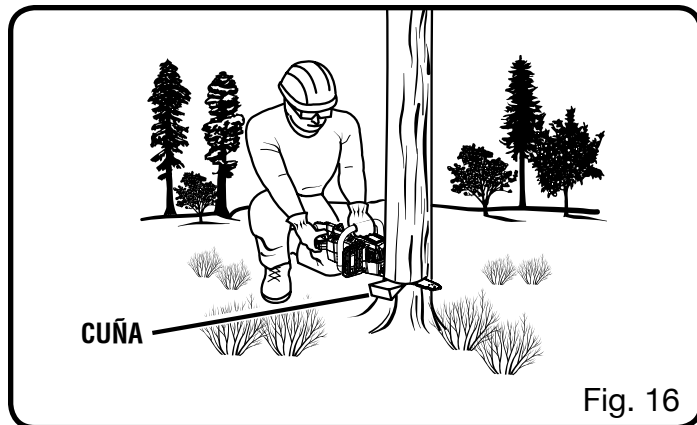


Fig. 16

persona, golpear las líneas de servicios públicos o causar cualquier daño material. Si el árbol golpea cualquier red de servicio público, la compañía correspondiente debe ser notificada de inmediato.

- Antes de iniciar cualquier corte, escoja su ruta de escape (o rutas, en caso de que esté bloqueada la ruta planeada); despeje el área inmediata alrededor del árbol y asegúrese de que no haya obstrucciones en la trayectoria de retirada planeada. Las trayectorias despejadas para una retirada segura deben extenderse hacia atrás en forma diagonal (45°) detrás de la línea de caída planeada. Cuando el árbol empiece a caer, usted deberá retirarse de la dirección de la caída usando la trayectoria de retirada y a una distancia de 6 m (20 pies) del tronco en caso de que exista un contragolpe sobre la cepa. *Vea la figura 13.*
- Antes de iniciar la tala del árbol, considere la fuerza y la dirección del viento, la inclinación y el equilibrio del árbol, y por último la ubicación de las ramas más grandes del mismo. Estos aspectos influyen en la dirección de caída del árbol. No trate de talar ningún árbol a lo largo de una línea diferente de su línea natural de caída.
- El operador de la motosierra debe permanecer en el lado colina arriba del terreno, ya que probablemente el árbol rodará o se deslizará colina abajo una vez talado.
- Retire la tierra, piedras, corteza floja, clavos, grapas y alambre del árbol, donde se vayan a efectuar los cortes de tala.
- **Corte de muescado.** Corte una muesca de 1/3 del diámetro del tronco aproximadamente,

FUNCIONAMIENTO

perpendicular a la dirección de la caída. Efectúe los cortes de la muesca de manera que queden cruzando en ángulo recto el plano de caída. Esta muesca debe limpiarse para dejar una línea recta. Para mantener el peso de la madera fuera de la sierra, siempre efectúe el corte inferior de la muesca antes del corte superior. *Vea las figuras 14.*

- **Corte trasero de tala.** El corte trasero siempre se realiza nivelado y horizontal, y a un mínimo de 51 mm (2 pulg.) arriba del corte horizontal de la muesca. *Vea las figuras 14 y 15.*
- Nunca corte hasta la muesca. Siempre deje una franja de madera entre la muesca y el corte trasero (aprox. 51 mm [2 pulg.] ó 1/10 del diámetro del árbol). Esto se llama “bisagra” o “madera de bisagra”. Controla la caída del árbol y evita el deslizamiento, el torcimiento o la separación violenta del árbol de su cepa. *Vea las figuras 14 y 15.*
- En árboles de diámetro grande, detenga el corte trasero antes de que esté tan profundo que el árbol pudiese caer o asentarse en la cepa. Después introduzca cuñas de madera o plástico suaves en el corte, de manera que no toquen la cadena. Las cuñas pueden encajarse, poco a poco, para ayudar a derribar el árbol. *Vea la figura 16.*

- A medida que comience a caer el árbol, apague la motosierra y dépositela en el suelo de inmediato. Retírese por la trayectoria despejada, pero observe lo que sucede por si algo llega a caer en su camino. Permanezca alerta a las ramas elevadas que puedan caer y fíjese en dónde pisa.



ADVERTENCIA:

Nunca corte hasta la muesca al efectuar el corte trasero. La bisagra, que es la parte de madera existente entre la muesca y el corte trasero, controla la caída del árbol.

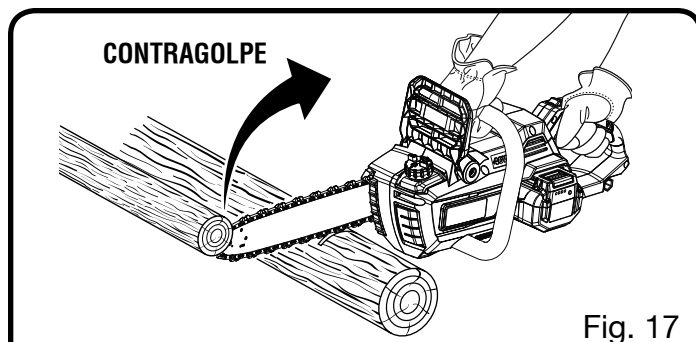


Fig. 17

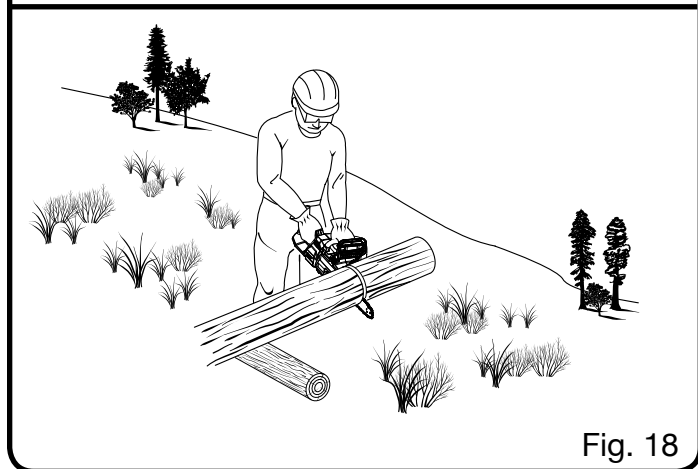


Fig. 18

TRONZADO

Vea las figuras 17 a 20.

Tronzado es el término aplicado al corte del tronco de un árbol talado, en tramos de la longitud deseada.

- Siempre asegúrese de mantener una postura firme y de distribuir su peso de forma equilibrada en ambos pies.
- Solamente corte un tronco a la vez.
- Apoye los troncos pequeños en un caballete de aserrar o en otro tronco mientras lo tronza.
- Mantenga despejada el área del corte. Asegúrese de que ningún objeto pueda tocar la punta de la barra guía ni la cadena durante el corte, ya que puede originarse un contragolpe.
- Al efectuar tareas de tronzado en una pendiente, siempre párese en el lado colina arriba de los troncos. Para mantener un control completo de la motosierra al cortar a través del tronco, afloje la presión de corte cerca del final del corte sin disminuir la fuerza de sujeción de los mangos de la sierra. No permita que la cadena toque el suelo. Después de terminar el corte, espere a que se detenga la cadena antes de mover la motosierra. Siempre apague el motor antes de desplazarse de un árbol a otro.

FUNCIONAMIENTO

- Algunas veces es imposible evitar el pellizcamiento (sólo con las técnicas de corte estándar) o es difícil predecir en qué dirección irá a asentarse un tronco al cortarse. Para evitar un pellizcamiento de la cadena al cortar, gire o mueva el tronco de manera que se elimine el pellizco.

TRONZADO DE TRONCOS BAJO TENSIÓN

Vea las figuras 19 y 20.

Cuando el tronco está sostenido a lo largo de toda su longitud, debe cortarse a partir de la parte superior, o sea tronzado por arriba.

Cuando el tronco está sostenido por un extremo, corte 1/3 del diámetro a partir de la parte inferior, o sea tronzado por abajo. Después realice el corte final con un tronzado por arriba hasta encontrar el primer corte.

A medida que se corta el tronco, tenderá a doblarse. La sierra puede resultar pellizcada o quedar colgada en el tronco si efectúa el primer corte a una profundidad mayor de 1/3 del diámetro del tronco.

Preste atención en especial a los troncos sujetos a tensión para evitar el pellizcamiento de la barra y de la cadena en la madera.

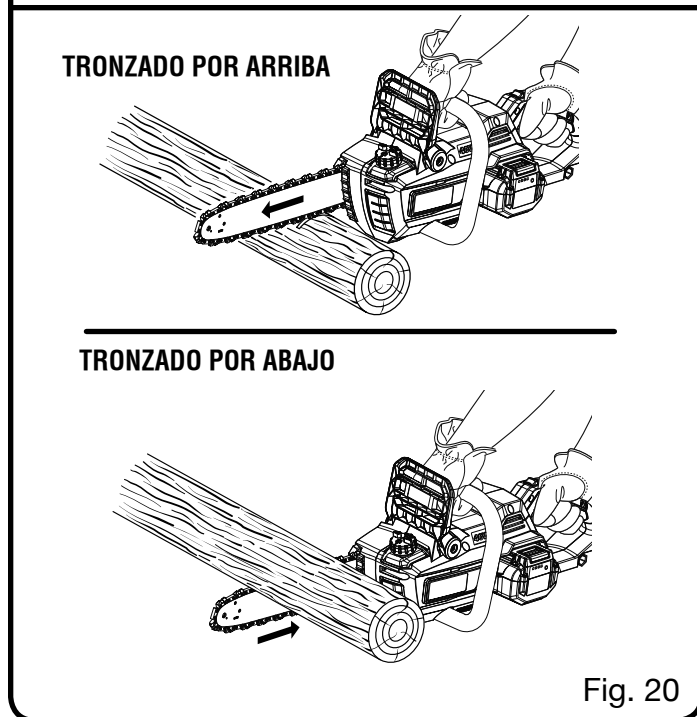
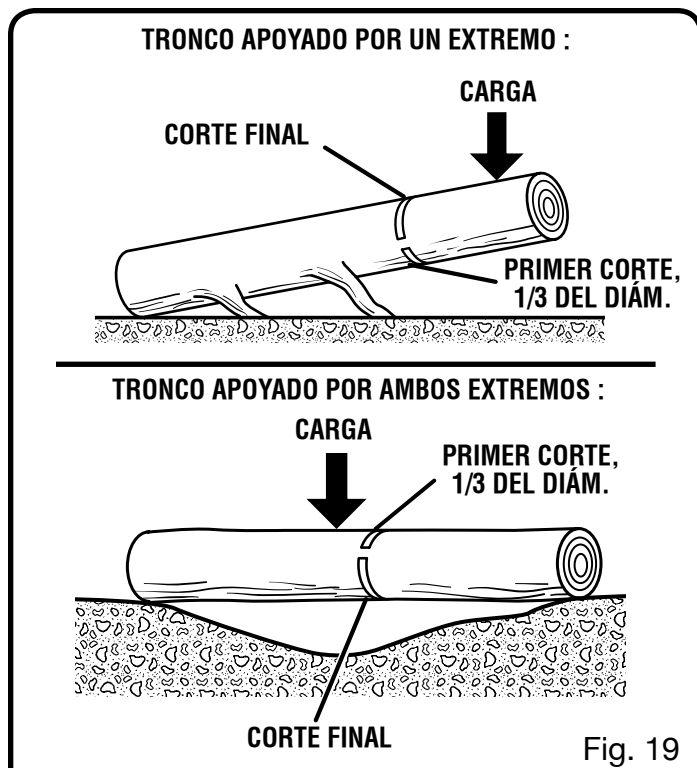
Al efectuar tareas de tronzado en una pendiente, siempre párese en el lado colina arriba de los troncos, como se muestra en la figura 18. Al cortar "a través del tronco", para mantener un control completo de la motosierra, afloje la presión de corte cerca del final del corte sin disminuir la fuerza de sujeción de los mangos de la sierra. No permita que la cadena toque el suelo. Después de terminar el corte, espere a que se detenga la cadena antes de mover la motosierra. Siempre apague el motor antes de desplazarse de un árbol a otro.

TIPOS DE CORTE EFECTUADOS

Vea la figura 20.

TRONZADO POR ARRIBA

Comience por el lado superior del tronco, con la parte inferior de la sierra puesta contra el tronco; ejerza una presión leve hacia abajo. Observe que la sierra tenderá a alejarse de usted.



FUNCIONAMIENTO

TRONZADO POR ABAJO

Comience por el lado inferior del tronco, con la parte superior de la sierra puesta contra el tronco; ejerza una presión leve hacia arriba. Durante el tronzado por abajo, la sierra tenderá a venir hacia usted. Esté preparado para esta reacción y sujete firmemente la sierra para conservar el control de la misma.

DESRAMADO

Vea la figura 21.



ADVERTENCIA:

Nunca se suba a un árbol para desramarlo o podarlo. No se pare en escaleras, plataformas, tejado o troncos, ni en ninguna posición que pueda causarle la pérdida del equilibrio o del control de la sierra, lo que podría resultar en la muerte o lesiones personales graves.

El desramado es la eliminación de las ramas de un árbol cortado.

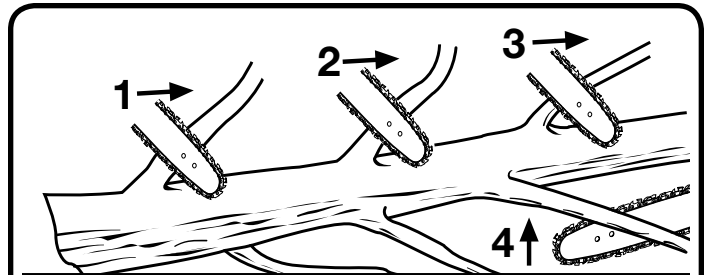
- Trabaje lentamente, manteniendo ambas manos en la motosierra, sujetándola firmemente. Siempre asegúrese de mantener una postura firme y de distribuir su peso de forma equilibrada en ambos pies.
- Deje las ramas de soporte más grandes bajo el árbol para mantenerlo separado del suelo mientras efectúa los cortes.
- Solamente corte una rama a la vez. Retire las ramas cortadas del área de trabajo con frecuencia para mantener el área de trabajo limpia y segura.
- Las ramas bajo tensión deben cortarse de abajo hacia arriba para evitar el atoramiento de la motosierra.
- Mantenga el árbol entre usted y la motosierra mientras realice el desramado. Corte desde el lado del árbol que quede opuesto a la rama que esté cortando.

PODA

Vea la figura 22.

La poda es el recorte de las ramas de un árbol vivo.

- Trabaje lentamente, manteniendo ambas manos en la motosierra, sujetándola firmemente. Siempre asegúrese de mantener una postura firme y de



CORTE UNA RAMA A LA VEZ Y DEJE RAMAS DE SOPORTE BAJO EL ÁRBOL HASTA QUE ESTÉ CORTADO EL TRONCO

Fig. 21

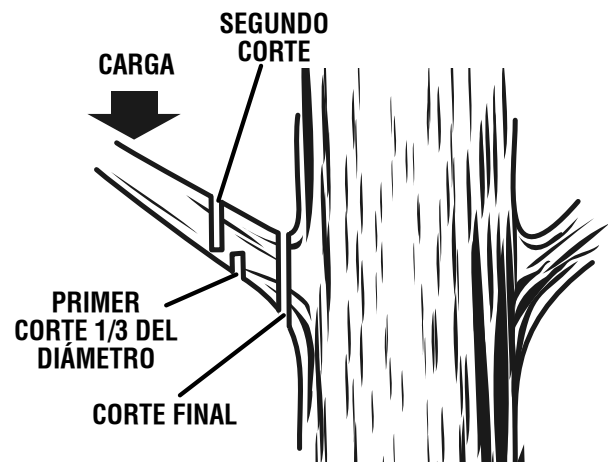


Fig. 22

distribuir su peso de forma equilibrada en ambos pies.

- No realice tareas de corte subido en una escalera, ya que es extremadamente peligroso. Deje tal operación a los profesionales.
- No corte arriba de la altura del pecho, ya que si se tiene la sierra más arriba de esa altura, es difícil de controlar bajo la fuerza del contragolpe.
- Al podar árboles es importante no realizar el corte final de una rama, junto a la rama o tronco de donde sale, sin haber recortado la primera para reducir el peso de la misma. De esta manera se evita desprender la corteza del miembro progenitor.
- Para el primer corte de tronzado, corte por abajo la rama 1/3 del diámetro de la misma.
- El segundo corte de tronzado debe ser por arriba para cortar completamente la rama.
- Ahora efectúe el corte final, liso y bien hecho, contra el miembro progenitor, de manera que se forme la corteza para sellar el corte.

FUNCIONAMIENTO

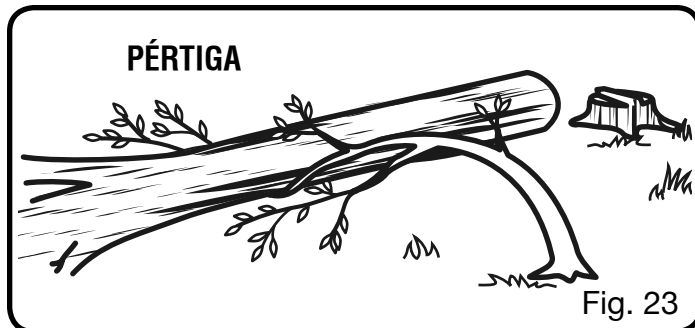
⚠️ ADVERTENCIA:

Si las ramas por podar están arriba de la altura del pecho, contrate a un experto para que efectúe la poda. La inobservancia de esta advertencia puede causar lesiones mortales o serias.

PÉRTIGAS

Vea la figura 23.

Una pértiga es cualquier tronco, rama, cepa enraizada o árbol joven que ha sido doblado por la presión de otro árbol o rama, de manera que azota si se corta o se elimina el elemento que lo detiene. Con la cepa enraizada de un árbol caído hay un gran peligro de que la misma vuelva súbitamente a la posición vertical durante el corte de tronzado



para separar el tronco de la cepa. Tenga cuidado con las pértigas, ya que son peligrosas.

⚠️ ADVERTENCIA:

Las pértigas son peligrosas y podrían golpear al operador, obligándole a perder el control de la motosierra. Esto podría causarle lesiones mortales o serias al operador.

MANTENIMIENTO

⚠️ ADVERTENCIA:

Para evitar lesiones corporales serias, siempre retire el paquete de baterías de la herramienta al limpiarla o darle mantenimiento.

⚠️ ADVERTENCIA:

Siempre póngase protección ocular con la marca de cumplimiento de la norma ANSI Z87.1 junto con protección para los oídos. Si no cumple esta advertencia, los objetos que salen despedidos pueden producirle lesiones serias en los ojos.

⚠️ ADVERTENCIA:

Al dar servicio a la unidad, sólo utilice piezas de repuesto idénticas. El empleo de piezas diferentes puede causar un peligro o daños al producto.

⚠️ ADVERTENCIA:

Nunca use agua ni otros líquidos para limpiar o enjuagar la product y no exponga la unidad a la lluvia ni de condiciones húmedas. Almacene la unidad en el interior en un lugar seco. Los líquidos corrosivos, el agua, y los productos químicos pueden ingresar los componentes eléctricos del producto y/o al compartimiento de la batería y dañar los componentes eléctricos o el paquete de la batería, lo que podría resultar en un corto circuito, mayor riesgo de incendio y lesiones personales graves. Retire la acumulación de suciedad y los residuos limpiando el producto con un trapo seco de manera ocasional.

MANTENIMIENTO

AVISO:

Inspeccione periódicamente todo el producto para detectar partes dañadas, faltantes o sueltas, como tornillos, tuercas, pernos, tapas, etc. Apriete firmemente todos los sujetadores y las tapas y no accione este producto hasta que todas las partes faltantes o dañadas sean reemplazadas. Póngase en contacto con el servicio al cliente o con un centro de servicio calificado para obtener ayuda.

MANTENIMIENTO GENERAL

Evite el empleo de solventes al limpiar piezas de plástico. La mayoría de los plásticos son susceptibles a diferentes tipos de solventes comerciales y pueden resultar dañados. Utilice paños limpios para eliminar la suciedad, el polvo, el aceite, la grasa, etc.



ADVERTENCIA:

No permita en ningún momento que fluidos para frenos, gasolina, productos a base de petróleo, aceites penetrantes, etc., lleguen a tocar las piezas de plástico. Las sustancias químicas pueden dañar, debilitar o destruir el plástico, lo cual, a su vez, podría producir lesiones físicas graves.

REEMPLAZO DE LA BARRA Y DE LA CADENA

Vea las figuras 24 a 29.



ADVERTENCIA:

Retire el paquete de baterías y asegúrese de que se haya detenido la cadena antes de realizar cualquier labor de mantenimiento de la sierra. De lo contrario la unidad puede ponerse en marcha accidentalmente, con el consiguiente riesgo de lesiones serias.



ADVERTENCIA:

Para evitar lesiones corporales serias, lea y comprenda todas las instrucciones de seguridad indicadas en esta sección.

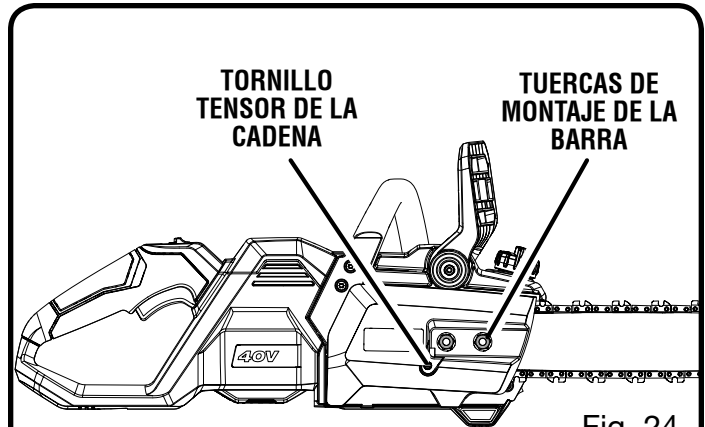


Fig. 24

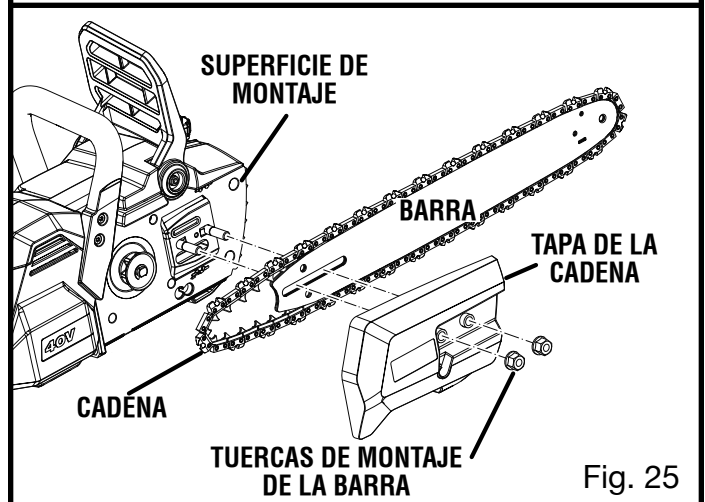


Fig. 25

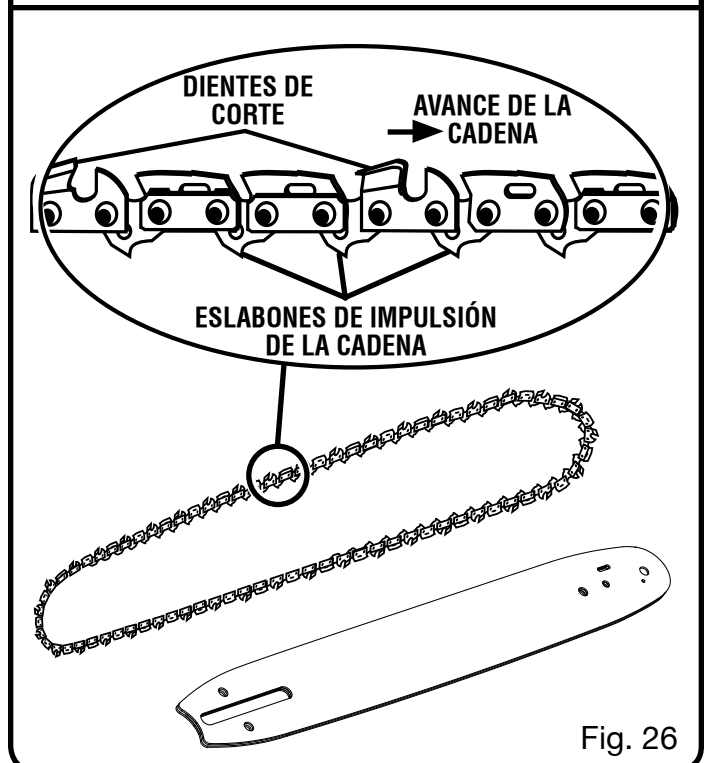


Fig. 26

MANTENIMIENTO

⚠ ADVERTENCIA:

Nunca toque ni ajuste la cadena mientras esté funcionando el motor. La cadena de la sierra está sumamente afilada; siempre póngase guantes protectores al efectuar labores de mantenimiento de la cadena para evitar posibles heridas desgarradas serias.

⚠ PRECAUCIÓN:

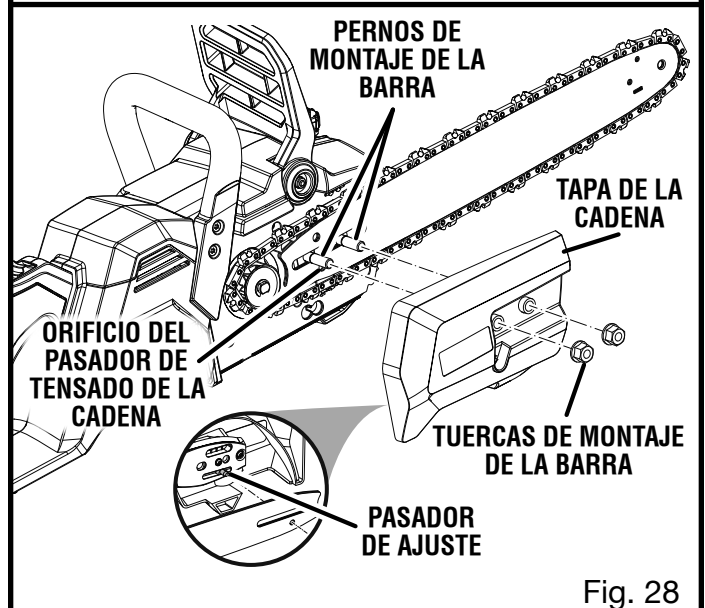
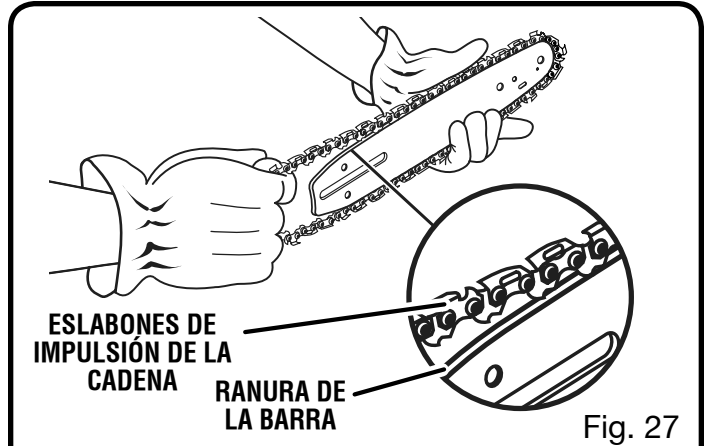
Siempre póngase guantes la manipular la barra y la cadena; estos componentes han sido afilados y pueden contener rebabas.

NOTA: Al reemplazar la barra guía y la cadena, siempre utilice la barra y la cadena especificadas en la sección **Combinaciones de barra y cadena**, más adelante en este manual.

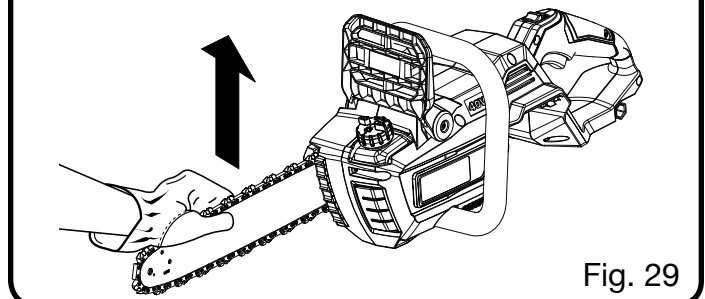
- Retire el paquete de baterías antes de realizar cualquier trabajo en la motosierra.
- Retire las tuercas de montaje de la barra usando la llave de combinación provista.
- Retire la tapa de la cadena.
- Retire la barra y la cadena de la superficie de montaje.
- Retire la cadena vieja de la barra.
- Extienda la nueva cadena de la sierra en un círculo y enderece todo retorcimiento presente en la misma. Los dientes de corte deben estar orientados en la dirección de desplazamiento de la cadena. Si están orientados en la dirección opuesta, invierta la posición de la cadena.
- Coloque los eslabones de impulsión de la cadena en la ranura de la barra.

NOTA: Verifique el sentido de desplazamiento de la cadena.

- Acomode la cadena de tal manera que haya una holgura en la parte posterior de la barra.
- Mantenga la cadena en su posición en la barra y coloque la holgura alrededor de la rueda dentada.
- Acomode la barra contra la superficie de montaje de manera que los pernos de la barra queden en la ranura larga de la misma.



LEVANTE LA PUNTA DE LA BARRA GUÍA PARA REVISAR LA HOLGURA DE LA CADENA



- Vuelva a colocar la cubierta del embrague asegurándose de que el pasador de ajuste de la cubierta del embrague esté en el orificio del pasador tensionador de la cadena de la barra y que los dos espárragos de la barra estén fijos en sus respectivos orificios situados en la cubierta del embrague.

MANTENIMIENTO

NOTA: Es posible que haya que reposicionar levemente el pasador de ajuste con el tornillo de tensión de la cadena para alinearlos con la posición del orificio del pasador tensionador de la cadena de la barra.

- Vuelva a colocar la cubierta del embrague y las tuercas de montaje de la barra.
- Ajuste manualmente las tuercas de montaje de la barra. La barra debe moverse libremente para ajustar la tensión.
- Elimine toda holgura de la cadena, girando el tornillo tensionador de la cadena en el sentido de las agujas del reloj hasta que la cadena se asiente sin holgura contra la barra con los eslabones de transmisión en la ranura de la barra.
- Levante la punta de la barra guía para revisar la holgura de la cadena.
- Sostenga hacia arriba el extremo de la barra de guía y ajuste firmemente las tuercas de montaje de la barra.

La cadena está bien tensada cuando no hay holgura de la misma en la parte inferior de la barra guía, la cadena se siente bien ajustada en la barra, y puede avanzarse con la mano sin ningún atoramiento de aquélla.

NOTA: Si la cadena está demasiado ceñida, no girará. Afloje levemente las tuercas de la barra y gire el regulador de tensión 1/4 de vuelta en el sentido contrario a las agujas del reloj. Levante el extremo de la barra de guía y vuelva a ajustar firmemente las tuercas de la barra. Asegúrese de que la cadena rote sin atascarse.

AJUSTE DE LA TENSIÓN DE LA CADENA

Vea las figuras 30 y 32.

⚠ ADVERTENCIA:

Apague el motor y quite el paquete de baterías. Nunca toque ni ajuste la cadena mientras esté funcionando el motor. La cadena de la sierra está sumamente afilada. Siempre lleve puestos guantes protectores al efectuar labores de mantenimiento de la cadena. El incumplimiento de estas instrucciones podría causar lesiones personales graves.

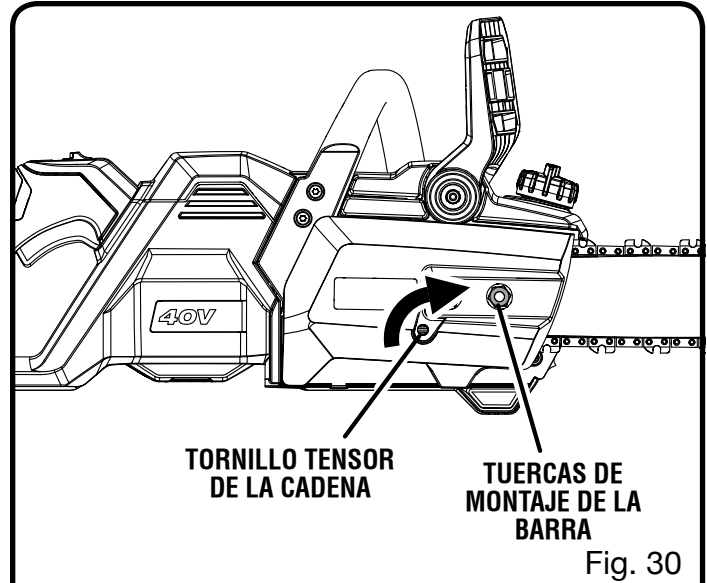
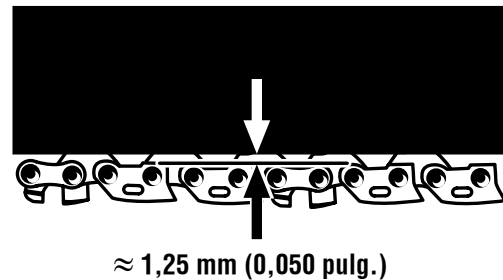


Fig. 30



PARTES PLANAS



Fig. 31

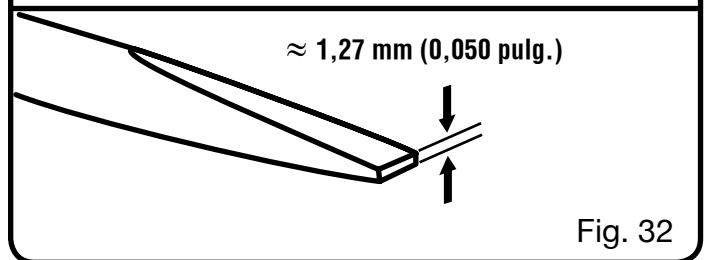


Fig. 32

- Retire el paquete de baterías antes de realizar cualquier trabajo en la motosierra.
- Asegúrese de que las tuercas de montaje de la barra queden lo suficientemente flojas como para ajustarlas manualmente.
- Gire el tornillo tensionador de la cadena en el sentido de las agujas del reloj para aumentar la tensión de la cadena.

MANTENIMIENTO

NOTA: La cadena, estando fría, está bien tensada cuando no hay holgura de la misma en la parte inferior de la barra guía, la cadena se siente bien ajustada en la barra, y puede avanzarse con la mano sin ningún atoramiento.

- Vuelva a tensar la cadena cada vez que las partes planas de los eslabones de impulsión sobresalen suspendidos de la ranura de la barra.

NOTA: Durante el funcionamiento normal de la sierra, aumenta la temperatura de la sierra. Si la cadena está bien tensada, estando caliente los eslabones de impulsión sobresalen suspendidos de la ranura de la barra aproximadamente 1,27 mm (0,050 pulg.). Como ayuda para determinar la tensión adecuada de la cadena caliente, puede emplearse la llave de combinación suministrada como guía.

NOTA: Las cadenas nuevas tienden a estirarse; revise frecuentemente la tensión de la cadena y tense ésta según se requiera.

AVISO:

Si se tensa la cadena estando ésta caliente, puede quedar demasiado apretada al enfriarse. Revise la “tensión en frío” de la cadena, antes de usar la sierra.

MANTENIMIENTO DE LA CADENA

Vea las figuras 33 a 35.



ADVERTENCIA:

Retire el paquete de baterías y asegúrese de que se haya detenido la cadena antes de realizar cualquier labor de mantenimiento de la sierra para evitar el arranque accidental y posibles lesiones personales graves.

Sólo utilice cadena de contragolpe moderado con esta sierra. Esta cadena de corte rápido proporciona reducción del contragolpe si se le da debido mantenimiento.

Para poder dar un corte liso y rápido, la cadena necesita recibir un mantenimiento adecuado. La cadena requiere afilarse cuando las virutas de madera salen pequeñas y polvorientas, cuando la es necesario forzar la cadena a pasar a través de

ESPACIO LIBRE DE LOS DIENTES
LIMPIADORES 0,025 mm (0,6 pulg.)

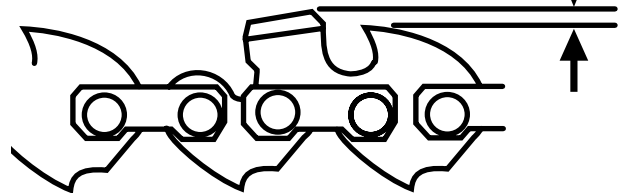


Fig. 33

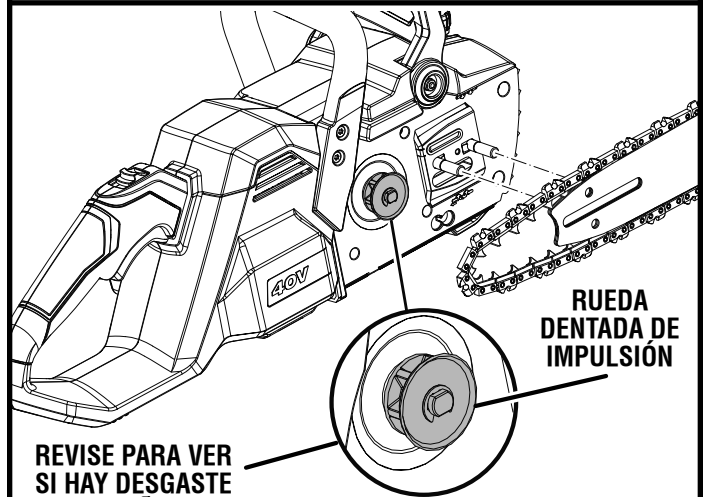


Fig. 34

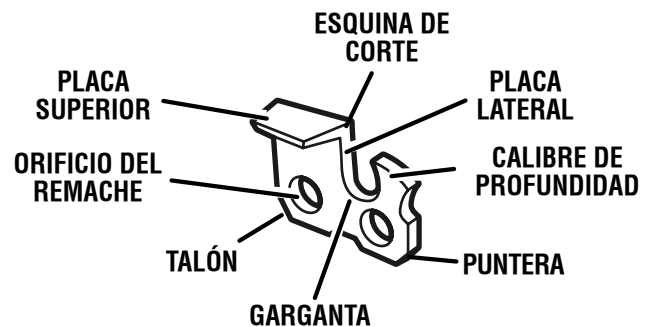


Fig. 35

la madera durante el corte, o cuando la cadena corta hacia un lado. Durante el mantenimiento de la sierra considere lo siguiente:

- Un ángulo incorrecto de limado de la placa lateral puede aumentar el riesgo de un contragolpe violento.
- Espacio libre de los dientes limpiadores (calibres de profundidad).
 - Demasiado bajo aumenta el peligro de contragolpe.
 - Si no está lo suficientemente bajo disminuye la capacidad de corte.

MANTENIMIENTO

- Si los dientes de corte han tocado objetos duros como clavos y piedras, o han sido desgastados por el lodo o la arena presentes en la madera, permita que afilen la cadena en un establecimiento de servicio apropiado para la tarea.

NOTA: Al cambiar la cadena, inspeccione la rueda dentada de impulsión para ver si tiene desgaste o daños. Si hay señales de desgaste o daños presentes en las áreas indicadas, lleve la sierra a un establecimiento de servicio de productos Ryobi para que cambien la rueda dentada.

FORMA DE AFILAR LOS DIENTES DE CORTE

Vea las figuras 36 y 37.

Tenga cuidado de limar todos los dientes de corte a los ángulos especificados y a la misma longitud, ya que sólo puede lograrse un corte rápido cuando están uniformes todos los dientes de corte.



ADVERTENCIA:

La cadena de la sierra está sumamente afilada; siempre póngase guantes protectores al efectuar labores de mantenimiento de la cadena para evitar lesiones personales graves.

- Tense adecuadamente la cadena antes de afilarla. Consulte el apartado **Tensado de la cadena**, más arriba en este manual. Efectúe toda la limadura en el punto medio de la barra.
- Use una lima redonda de 5/32 pulg. de diámetro con mango.
- Mantenga la lima al nivel de la placa superior de los dientes de corte. No permita que la lima se incline ni se balancee.
- Con presión leve pero firme, pase la lima por el diente, hacia la esquina delantera del mismo.
- Levante la lima para separarla del acero en cada movimiento de regreso.
- Dé unas pocas pasadas firmes a cada diente de corte. Lime todos los dientes de corte izquierdos en una dirección. Después lleve la lima al otro lado y lime los dientes de corte derechos en la dirección opuesta. Ocasionalmente, con un cepillo de alambre limpie las limaduras producidas por la lima.

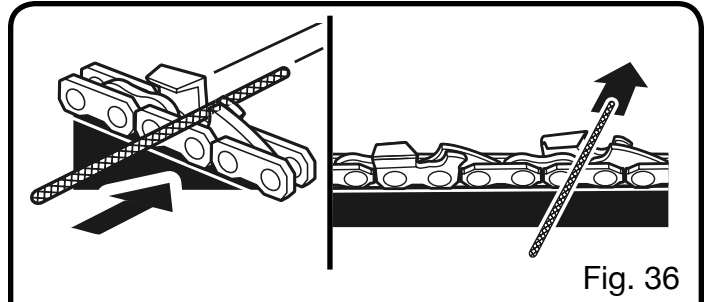


Fig. 36

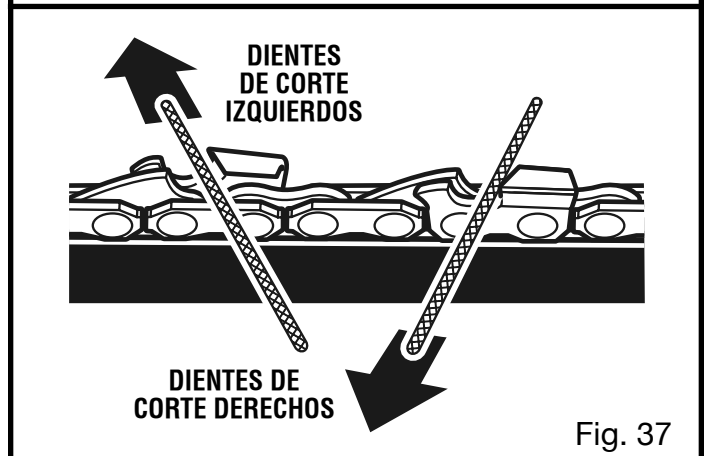
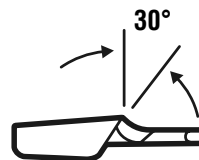


Fig. 37

ÁNGULO CORRECTO DE LIMADURA DE LA PLACA SUPERIOR



ÁNGULO INCORRECTO DE LIMADURA DE LA PLACA SUPERIOR

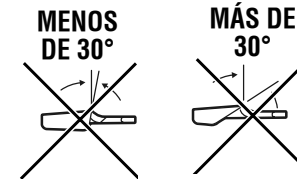


Fig. 38



ADVERTENCIA:

Un afilado inadecuado de la cadena aumenta el peligro de contragolpe, lo que podría resultar en lesiones personales graves.



ADVERTENCIA:

Si no se cambia o se repara la cadena cuando está dañada, puede causar lesiones serias.

ÁNGULO DE LIMADURA DE LA PLACA SUPERIOR

Vea la figura 38.

- **ÁNGULO CORRECTO:** 30° – Los mangos de las limas están marcados con marcas guía

MANTENIMIENTO

para alinear correctamente la lima con el fin de generar el ángulo correcto de la placa superior.

- MENOS DE 30° – Para corte transversal.
- MÁS DE 30° – El canto en bisel se desafilan rápidamente.

ÁNGULO DE LA PLACA LATERAL

Vea la figura 39.

- **ÁNGULO CORRECTO:** 80° – Se genera automáticamente si se pone una lima de diámetro correcto en el mango.
- **EN FORMA DE GARFIO** – “Agarra” y se desafilan rápidamente. Aumenta el peligro de **CONTRAGOLPE**.

Resulta de esta forma por usarse una lima de diámetro demasiado pequeño, o por sostenerse ésta muy abajo.

- **PENDIENTE HACIA ATRÁS** – Se necesita demasiada presión para avanzar el corte, causa desgaste excesivo en la barra y en la cadena.

Resulta de esta forma por usarse una lima de diámetro demasiado grande, o por sostenerse ésta muy alto.

ESPACIO LIBRE DEL CALIBRE DE PROFUNDIDAD

Vea la figura 40 y 41.

- El calibre de profundidad debe mantenerse a un espacio libre de 0,6 mm (0,025 pulg.). Utilice un instrumento de calibración de profundidad para verificar el espacio libre de los calibres de profundidad.
- Cada vez que se lima la cadena verifique el espacio libre de los calibres de profundidad.

Con una lima plana y un igualador de calibres de profundidad baje de manera uniforme todos los calibres. Los igualadores de calibres de profundidad vienen de 0,5 mm a 0,9 mm (0,020 pulg. a 0,035 pulg.). Use un igualador de calibres 0,6 mm (0,025 pulg.). Después de bajar cada calibre

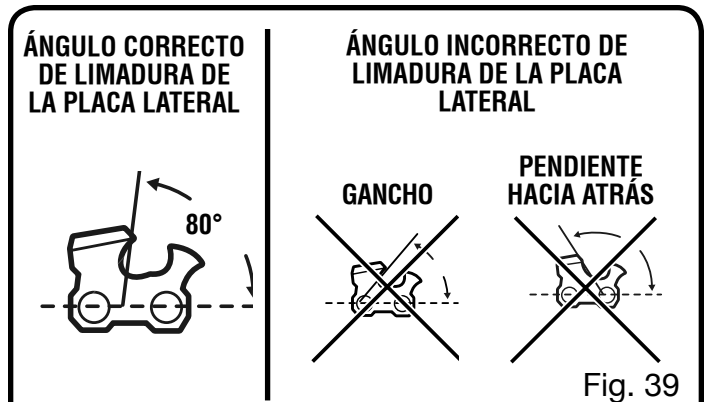


Fig. 39

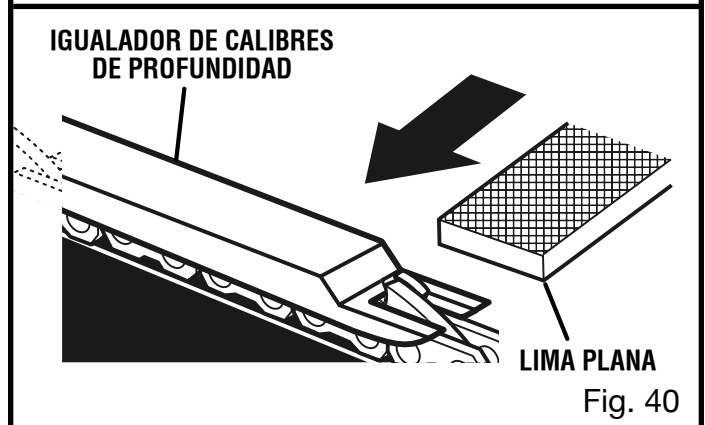


Fig. 40

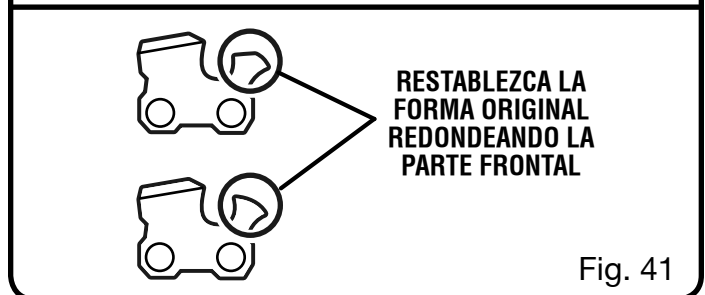


Fig. 41

de profundidad, devuélvalos su forma original redondeando la parte frontal de los mismos. Tenga cuidado de no dañar los eslabones de impulsión adyacentes con el borde de la lima.

Cada calibre de profundidad debe ajustarse con la lima plana, en la misma dirección en que se limó con la lima redonda el diente de corte adyacente. Tenga cuidado de no tocar la cara del diente de corte adyacente con la lima plana al ajustar los calibres de profundidad.

MANTENIMIENTO

MANTENIMIENTO DE LA BARRA GUÍA

Vea la figura 42.

⚠ PRECAUCIÓN:

Asegúrese de que se haya detenido la cadena y el paquete de baterías se ha sacado antes de ponerse a trabajar con la cadena para evitar lesiones serias.

Un mantenimiento adecuado maximizará la vida útil de barra guía.

Cada día de uso:

Limpie la barra y inspeccione para ver el desgaste y los posibles daños. La formación de minúsculos surcos y protuberancias en los rieles de la barra es un proceso normal de desgaste de la misma, pero tales fallas deben alisarse con una lima tan pronto como aparezcan.

Cada semana de uso:

- Invierta la barra guía en la sierra para distribuir el desgaste.
- Lubrique la fosa que se encuentra en el extremo de la barra guía insertando grasa en el agujero de lubricación con una jeringa.
- Gire la barra guía y verifique que no tengan impurezas los orificios de lubricación y la ranura de la cadena.

Debe cambiarse toda barra que presente cualquiera de las siguientes fallas:

- Desgaste dentro de los rieles de la barra que permite a la cadena descansar sobre su costado
- Barra guía doblada
- Rieles agrietados o rotos
- Rieles ensanchados

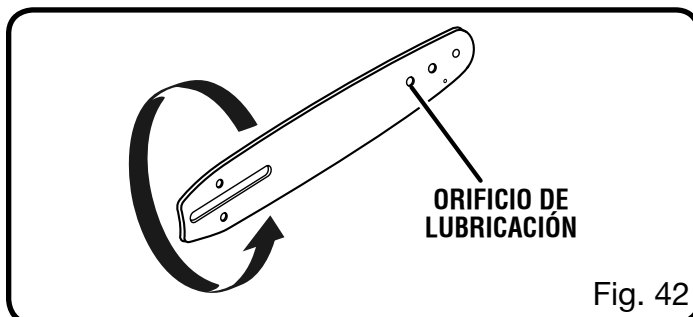
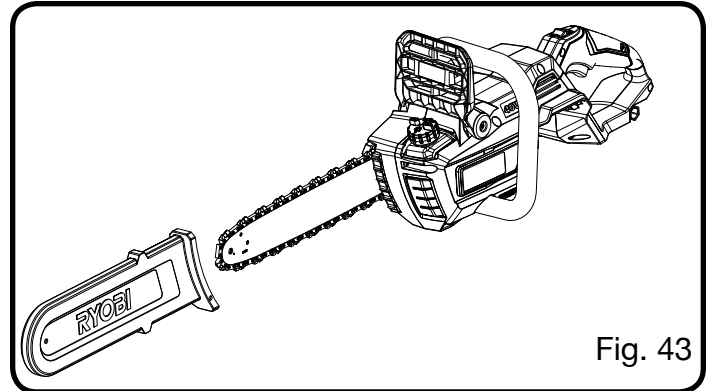


Fig. 42



TRANSPORTE Y ALMACENAMIENTO

Vea la figura 43.

⚠ ADVERTENCIA:

Retire siempre el paquete de baterías antes de transportar o guardar la motosierra. Coloque el paquete de baterías en interiores, en un lugar seco y seguro, fuera del alcance de niños cuando lo guarde. Si no sigue estas instrucciones, la unidad podría encenderse accidentalmente o podrían usarla sin autorización, lo que podría ocasionar lesiones personales graves.

- No guarde ni transporte la motosierra mientras la tenga encendida. La motosierra siempre debe estar apagada al guardarla o transportarla.
- Siempre coloque la funda en la barra y la cadena antes de guardar o transportar la motosierra. Tenga precaución y evite tocar los afilados dientes de la cadena.
- Limpie la motosierra completamente antes de guardarla. Guarde la motosierra en el interior, en un lugar seco y cerrado con llave, o inaccesible a los niños.
- Evite que la unidad entre en contacto con agentes corrosivos como las sustancias químicas para el jardín y las sales para derretir el hielo.

COMBINACIONES DE BARRA Y CADENA

Especificaciones de la cadena: 9,53 mm (0,375 pulg.), ranura estrecha de perfil bajo, paso de cadena de 1,3 mm (0,050 pulg.), rueda impulsora de 6 dientes.

Longitud barra	Núm. pieza barra guía	Núm. pieza cadena	Eslabones de impulsión
14 pulg.	314675001	682006004	52

CORRECCIÓN DE PROBLEMAS

PROBLEMA	CAUSA	SOLUCIÓN
La barra y la cadena están muy calientes y despiden humo.	<ol style="list-style-type: none"> Revise la tensión de la cadena para ver si es excesiva. Está vacío el tanque de aceite de la cadena. 	<ol style="list-style-type: none"> Tensión de la cadena. Consulte el apartado Tensado de la cadena, más arriba en este manual. Revise el tanque de aceite.
El motor funciona pero la cadena no avanza.	<ol style="list-style-type: none"> Demasiada tensión en la cadena. Revise el conjunto de la barra guía y la cadena. Revise la barra guía y la cadena para ver si están dañados. 	<ol style="list-style-type: none"> Vuelva a tensar la cadena. Consulte el apartado Tensión de la cadena, más arriba en este manual. Consulte el apartado Montaje de la barra y de la cadena, más arriba en este manual. Inspeccione la barra guía y la cadena para ver si están dañados.



LLÁMENOS PRIMERO

Si tiene preguntas sobre el funcionamiento o el mantenimiento este producto, llame al teléfono de atención al consumidor de RYOBI!

La recortadora ha sido probada enteramente antes de embarcarse para asegurar la satisfacción del consumidor.

Este producto tiene una garantía limitada de cinco años para fines personales, familiares o domésticos (90 días para usos trabajo o comercial). Para obtener detalles sobre la garantía, diríjase a www.ryobitools.com o llame sin cargo al 1-800-860-4050.



OPERATOR'S MANUAL
MANUEL D'UTILISATION / MANUAL DEL OPERADOR
40 VOLT CHAIN SAW
SCIE À CHAÎNE 40 V / MOTOSIERRA DE 40 V
RY40503

• **PARTS AND SERVICE:** Prior to requesting service or purchasing replacement parts, please obtain your item, manufacturing, and serial numbers from the product data plate.

ITEM NO. _____

MANUFACTURING NO. _____

SERIAL NO. _____

HOW TO OBTAIN REPLACEMENT PARTS: Replacement parts can be purchased online at www.ryobitools.com or by calling 1-800-860-4050. Replacement parts can also be obtained at one of our service centers.

HOW TO LOCATE A SERVICE CENTER: Service centers can be located online at www.ryobitools.com or by calling 1-800-860-4050.

HOW TO OBTAIN CUSTOMER OR TECHNICAL SUPPORT: To obtain customer or technical support please contact us at 1-800-860-4050.

RYOBI is a registered trademark of Ryobi Limited and is used pursuant to a license granted by Ryobi Limited.

• **PIÈCES ET SERVICE :** Avant de faire la demande de service ou l'achat de pièces de remplacement, veuillez obtenir le numéro d'article, le numéro de fabrication et le numéro de série à partir de la plaque de données du produit.

NUMÉRO D'ARTICLE _____

NUMÉRO DE FABRICATION _____

NUMÉRO DE SÉRIE _____

COMMENT OBTENIR LES PIÈCES DE REMPLACEMENT : Les pièces de remplacement peuvent être achetées en ligne sur le site www.ryobitools.com ou par téléphone au 1-800-860-4050. Les pièces de remplacement peuvent être obtenues à un de nos centres de service.

COMMENT TROUVER UN CENTRE DE SERVICE : Les centres de service peuvent être localisés en ligne au www.ryobitools.com ou en téléphonant au 1-800-860-4050.

COMMENT OBTENIR DE L'AIDE EN CONTACTANT LE SERVICE À LA CLIENTÈLE : Pour contacter le service à la clientèle pour une question technique ou pour tout autre renseignement, veuillez nous téléphoner au 1-800-860-4050.

RYOBI est une marque déposée de Ryobi Limited et est utilisée en vertu d'une licence accordée par Ryobi Limited.

• **PIEZAS DE REPUESTO Y SERVICIO:** Antes de solicitar servicio técnico o comprar piezas de repuesto, obtenga su número de artículo, el número de fabricación y el número de serie de la placa de datos del producto.

NÚMERO DE ARTÍCULO _____

NÚMERO DE FABRICACIÓN _____

NÚMERO DE SERIE _____

CÓMO OBTENER PIEZAS DE REPUESTO: Las piezas de repuesto se pueden comprar en nuestro sitio en la red mundial, en la dirección www.ryobitools.com o llamando al 1-800-860-4050. Las piezas de repuesto también se pueden obtener en uno de nuestros centros de servicio.

CÓMO LOCALIZAR UN CENTRO DE SERVICIO: Puede encontrar los centros de servicio visitando nuestro sitio en la red mundial, en la dirección www.ryobitools.com or by calling 1-800-860-4050.

CÓMO OBTENER SERVICIO O ASISTENCIA TÉCNICA AL CONSUMIDOR: Para obtener servicio o asistencia técnica al consumidor, sírvase comunicarse con nosotros llamando al 1-800-860-4050.

RYOBI es una marca registrada de Ryobi Limited y se utiliza conforme a una licencia otorgada por Ryobi Limited.

TECHTRONIC INDUSTRIES POWER EQUIPMENT



REGISTER YOUR TOOLS
<http://register.ryobitools.com>
 1-800-860-4050

OPERATOR'S MANUAL
MANUEL D'UTILISATION
MANUAL DEL OPERADOR

40 VOLT BLOWER
SOUFFLANTE 40 V
SOPLADORA DE 40 V

RY40406/R40406VN

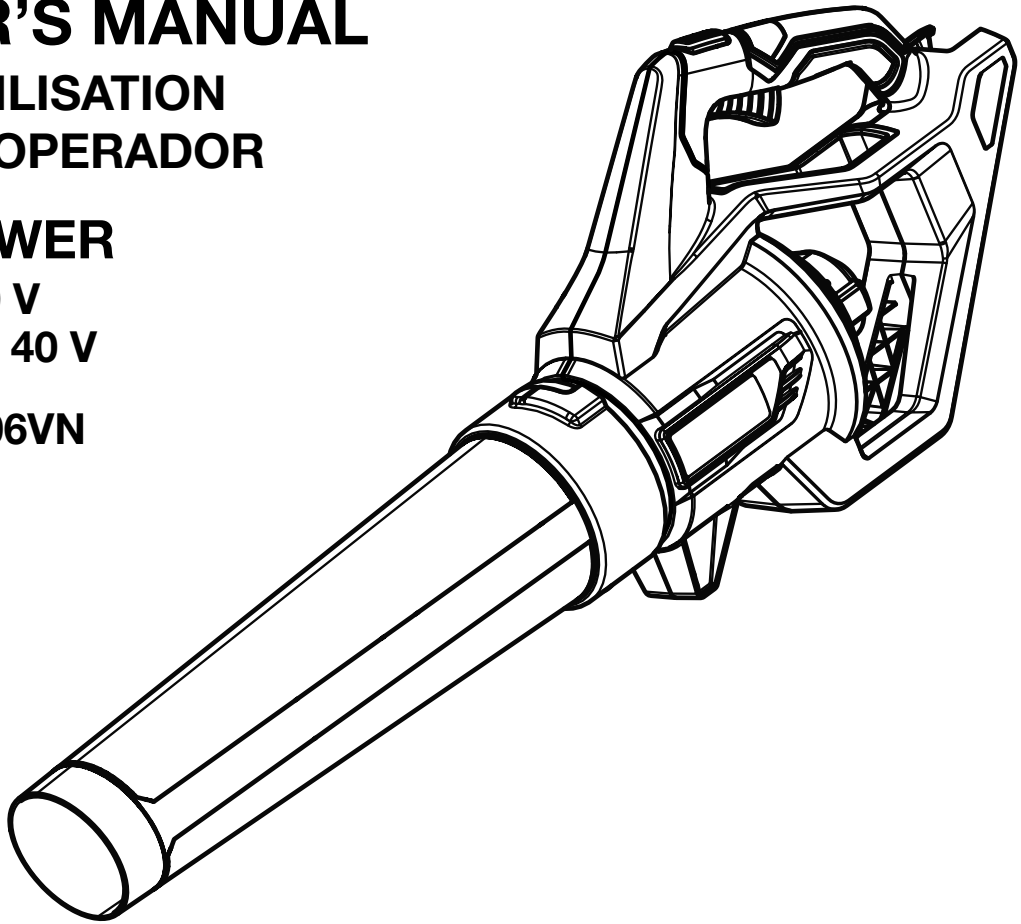


TABLE OF CONTENTS

- Important Safety Instructions..... 2-3
- Symbols 4-5
- Features5
- Assembly6
- Operation 6-8
- Maintenance 8
- Parts Ordering/Service..... Back Page

TABLE DES MATIÈRES

- Instructions importantes concernant la sécurité 2-3
- Symboles 4-5
- Caractéristiques5
- Assemblage6
- Utilisation 6-8
- Entretien 8
- Commande de pièces/réparation..... Page arrière

ÍNDICE DE CONTENIDO

- Instrucciones de seguridad importantes 2-3
- Símbolos 4-5
- Características5
- Armado6
- Funcionamiento 6-8
- Mantenimiento 8
- Pedidos de piezas/servicio..... Pág. posterior

⚠ WARNING: To reduce the risk of injury, the user must read and understand the operator's manual before using this product.

⚠ AVERTISSEMENT : Pour réduire les risques de blessures, l'utilisateur doit lire et veiller à bien comprendre le manuel d'utilisation avant d'employer ce produit.

⚠ ADVERTENCIA: Para reducir el riesgo de lesiones, el usuario debe leer y comprender el manual del operador antes de usar este producto.

SAVE THIS MANUAL FOR FUTURE REFERENCE

CONSERVER CE MANUEL POUR FUTURE RÉFÉRENCE

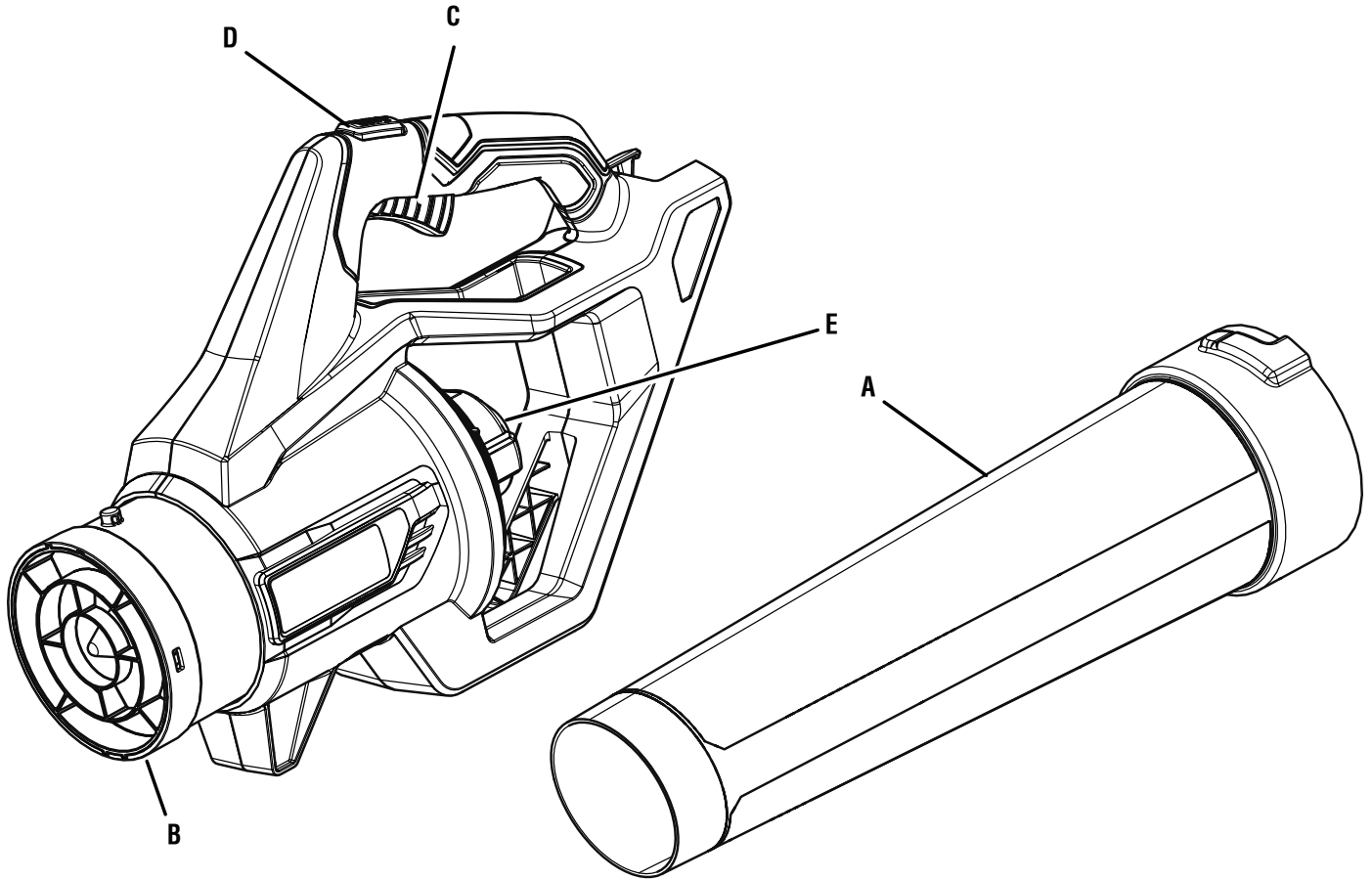
GUARDE ESTE MANUAL PARA FUTURAS CONSULTAS

**See this fold-out section for all of the figures
referenced in the operator's manual.**

**Consulter l'encart à volets afin d'examiner toutes les figures
mentionnées dans le manuel d'utilisation.**

**Consulte esta sección desplegable para ver todas las figuras
a las que se hace referencia en el manual del operador.**

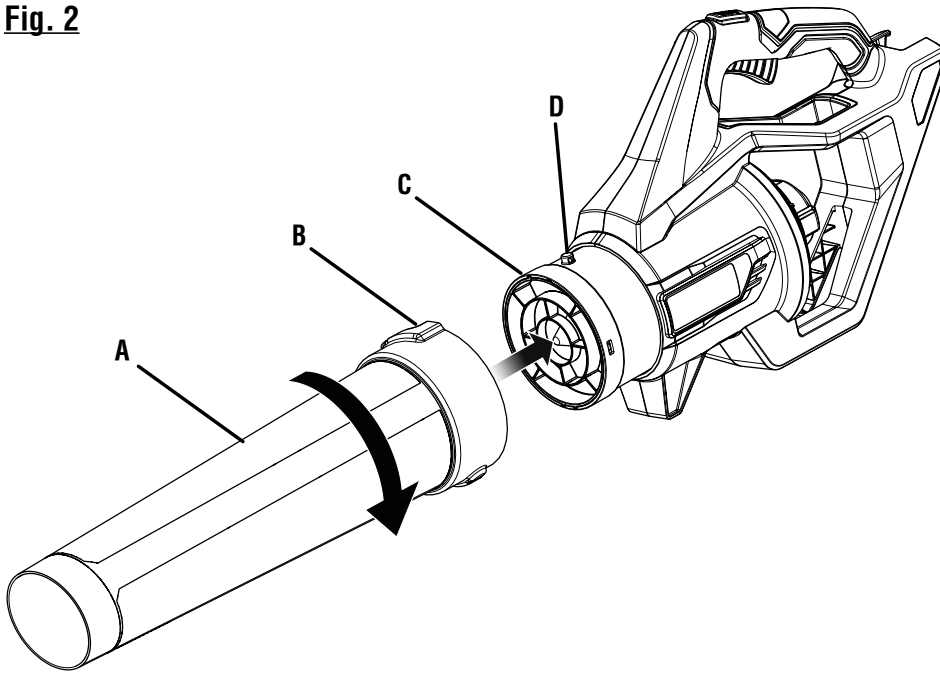
Fig. 1



A - Blower tube (tube de soufflante, tubo de la sopladora)
B - Blower housing outlet (prise de boîtier de soufflante, salida del alojamiento de la sopladora)
C - Switch trigger (gâchette, gatillo)

D - Turbo boost button (bouton de suralimentation, botón de la alimentación turbo)
E - Air inlet port (orifice d'entrée d'air, conexión de entrada de aire)

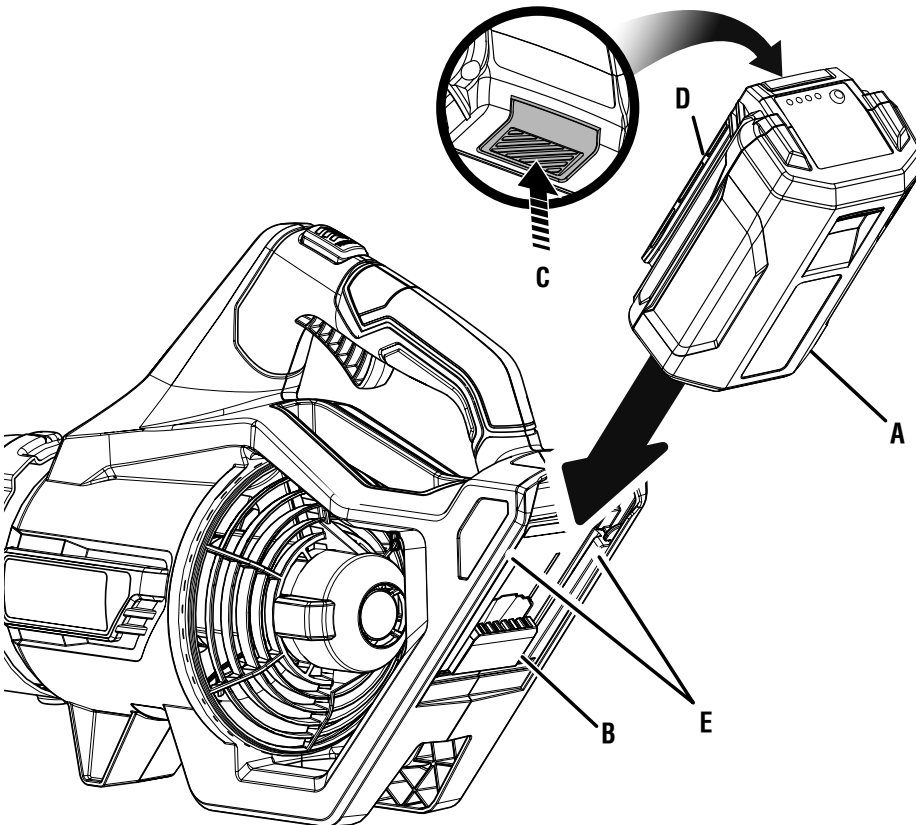
Fig. 2



A - Blower tube (tube de soufflante, tubo de la aspiradora)
B - Slot (fente, ranura)

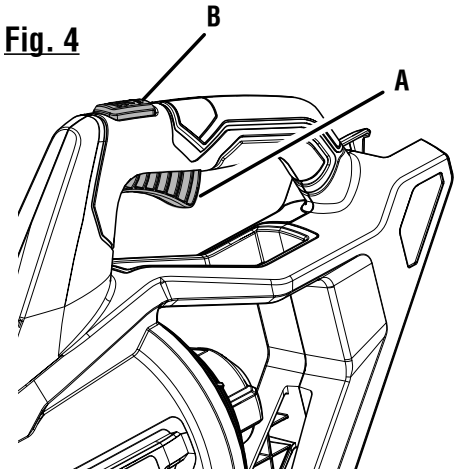
C - Blower housing outlet (prise de boîtier de soufflante, salida del alojamiento de la sopladora)
D - Tab (languette, lengüeta)

Fig. 3



A - Battery pack (bloc-piles, paquete de baterías)
B - Battery port (logement de batteries, receptáculo para baterías)
C - Latch (loquet, pestillo)
D - Groove (rainure, ranura)
E - Raised rib (épaulements surélevés, costillas realzadas)

Fig. 4



A - Switch trigger (gâchette, gatillo)
B - Turbo boost button (bouton de suralimentation, botón de la alimentación turbo)

Fig. 5

**PROPER OPERATING POSITION
BONNE POSITION DE TRAVAIL
POSICIÓN CORRECTA PARA EL MANEJO
DE LA HERRAMIENTA**



IMPORTANT SAFETY INSTRUCTIONS

When using an electrical appliance, basic precautions should always be followed, including the following:

WARNING!

READ AND UNDERSTAND ALL INSTRUCTIONS BEFORE USING THIS BLOWER. To reduce the risk of electric shock, fire and/or serious personal injury.

- **Know your power blower. Read operator's manual carefully. Learn its applications and limitations, as well as the specific potential hazards related to this blower.** Following this rule will reduce the risk of electric shock, fire, or serious injury.
- **Do not permit children to use blower.** It is not a toy. Close attention is necessary when used near children.
- **Use only accessories that are recommended by the manufacturer for your model described in this manual.** Accessories that may be suitable for one blower may create a risk of injury when used on another blower. Use only as described in this manual.
- **Do not handle charger, including charger plug, and charger terminals with wet hands.**
- **Do not put any object into openings. Do not use with any opening blocked; keep free of dust, lint, hair, and anything that may reduce air flow.**
- **Do not charge the unit outdoors.**
- **Keep hair, loose clothing, fingers, and all parts of body away from openings and moving parts.**
- **Turn off all controls before removing battery.**
- **Use extra care when cleaning on stairs or steps.**
- **Do not operate blowers in explosive atmospheres, such as in the presence of flammable liquids, gases, or dust.** Blowers create sparks which may ignite the dust or fumes.
- **Keep your work area clean and well lit.** Cluttered benches and dark areas invite accidents.
- **Keep bystanders, children, and visitors at least 50 ft. away while operating a blower.** Distractions can cause you to lose control.
- **A battery operated blower with integral batteries or a separate battery pack must be recharged only with the specified charger for the battery.** A charger that may be suitable for one type of battery may create a risk of fire when used with another battery.
- **Use battery operated blower only with specifically designated battery pack.** Use of any other batteries may create a risk of fire.
- **Use this product only with batteries and chargers listed in tool/appliance/battery pack/charger correlation supplement 987000-432.**
- **Do not operate charger with a damaged cord or plug, which could cause shorting and electric shock.** If damaged, have the charger replaced by an authorized service center.
- **If appliance is not working as it should, has been dropped, damaged, left outdoors, or dropped into water, return it to a service center.**
- **Stay alert, watch what you are doing and use common sense when operating a power blower. Do not use blower while tired, upset, or under the influence of drugs, alcohol, or medication.** A moment of inattention while operating blowers may result in serious personal injury.
- **Secure long hair above shoulder level to prevent entanglement in moving parts.**
- **Avoid accidental starting. Be sure switch is in the locked or off position before inserting battery pack.** Carrying blowers with your finger on the switch or inserting the battery pack into a blower with the switch on invites accidents.
- **Use safety equipment. Always wear eye protection.** Dust mask, non-skid safety shoes, hard hat, or hearing protection must be used for appropriate conditions.
- **Do not wear loose clothing or jewelry. Contain long hair.** Loose clothes, jewelry, or long hair can be drawn into air vents.
- **Do not use on a ladder, rooftop, tree, or other unstable support.** Stable footing on a solid surface enables better control of the blower in unexpected situations.
- **Do not use blower if switch does not turn it on or off.** A blower that cannot be controlled with the switch is dangerous and must be repaired.
- **Disconnect battery pack from blower or place the switch in the locked or off position before making any adjustments, changing accessories, or storing the blower.** Such preventive safety measures reduce the risk of starting the blower accidentally.
- **When battery pack is not in use, keep it away from other metal objects like: paper clips, coins, keys, nails, screws, or other small metal objects that can make a connection from one terminal to another.** Shorting the battery terminals together may cause sparks, burns, or a fire.
- **Check for misalignment or binding of moving parts, breakage of parts, and any other condition that may affect the blower's operation. If damaged, have the blower serviced before using.** Many accidents are caused by poorly maintained blowers.
- **Keep the blower and its handle dry, clean and free from oil and grease.** Always use a clean cloth when cleaning. Never use brake fluids, gasoline, petroleum-based products, or any strong solvents to clean your blower. Following this rule will reduce the risk of loss of control and deterioration of the enclosure plastic.
- **Always wear safety glasses with side shields.** Everyday glasses have only impact resistant lenses. They

IMPORTANT SAFETY INSTRUCTIONS




are NOT safety glasses. Following this rule will reduce the risk of eye injury.

- **Always wear eye protection with side shields marked to comply with ANSI Z87.1 along with hearing protection when operating this equipment.**
- **Protect your lungs. Wear a face or dust mask if the operation is dusty.** Following this rule will reduce the risk of serious personal injury.
- **Protect your hearing. Wear hearing protection during extended periods of operation.** Following this rule will reduce the risk of serious personal injury.
- **Battery blowers do not have to be plugged into an electrical outlet; therefore, they are always in operating condition. Be aware of possible hazards when not using your battery powered blower or when changing accessories.** Following this rule will reduce the risk of electric shock, fire, or serious personal injury.
- **Under abusive conditions, liquid may be ejected from the battery; avoid contact.** If contact accidentally occurs, flush with water. If liquid contacts eyes, additionally seek medical help. Liquid ejected from the battery may cause irritation or burns.
- **Do not use a battery pack or appliance that is damaged or modified.** Damaged or modified batteries may exhibit unpredictable behavior resulting in fire, explosion or risk of injury.
- **Do not expose a battery pack or appliance to fire or excessive temperature.** Exposure to fire or temperature above 265°F may cause explosion.
- **Follow all charging instructions and do not charge the battery pack or appliance where the temperature is less than 50°F or more than 100°F.** Charging improperly or at temperatures outside of the specified range may damage the battery and increase the risk of fire.
- **Do not modify or attempt to repair the appliance or the battery pack except as indicated in the instructions for use and care.**
- **Do not place battery powered blowers or their batteries near fire or heat.** This will reduce the risk of explosion and possibly injury.
- **Don't expose blowers to rain or wet conditions.** Water entering a blower will increase the risk of electric shock.
- **Wear heavy long pants, long sleeves, boots, and gloves.** Avoid loose garments or jewelry that could get caught in moving parts of the machine or its motor.
- **Do not operate the equipment while barefoot or when wearing sandals or similar lightweight footwear.** Wear protective footwear that will protect your feet and improve your footing on slippery surfaces.
- **Keep firm footing and balance. Do not overreach.** Overreaching can result in loss of balance.
- **Check the work area before each use.** Remove all objects such as rocks, broken glass, nails, wire, or string which can be thrown or become entangled in the machine.
- **Do not point the blower nozzle in the direction of people or pets.**
- **Never run the unit without the proper equipment attached.** Always ensure the blower tubes are installed.
- **When not in use, blower should be stored indoors in a dry, locked up place—out of the reach of children.**
- **Do not hang unit so that the switch trigger is depressed.**
- **Keep all bystanders, children, and pets at least 50 ft. away.**
- **Do not dispose of a severely damaged or worn out battery pack or this blower by incinerating.** The battery can explode in fire.
- Stop the motor, wait until all moving parts come to a complete stop, and disconnect from the power supply before cleaning or performing any maintenance.
- **Never use water or any liquids to clean or rinse off your product and do not expose the product to rain or wet conditions. Store indoors in a dry area.** Corrosive liquids, water, and chemicals can enter the product's electronic components and cause damage, which can result in a short circuit, increased risk of fire, and serious personal injury. Remove any buildup of dirt and debris by wiping the product clean with a dry cloth occasionally.
- **Blower service must be performed only by qualified repair personnel.** Service or maintenance performed by unqualified personnel may result in a risk of injury.
- **When servicing a blower, use only identical replacement parts.** Follow instructions in the Maintenance section of this manual. Use of unauthorized parts or failure to follow Maintenance Instructions may create a risk of shock or injury.
- **Never use blower near fires, fireplaces, hot ashes, barbecue pits, etc.** Use near fires or ashes can spread fires and result in serious injury and/or property damage.
- **Never use blower to spread chemicals, fertilizers, or any other toxic substances.** Spreading these substances could result in serious injury to the operator or bystanders.
- **Never place blower on any surface, except a hard, clean surface when motor is running.** Gravel, sand, and other debris can be picked up by the air inlet and thrown at the operator or bystanders, causing possible serious injuries.
- **For household use only.**
- **Save these instructions.** Refer to them frequently and use them to instruct others who may use this tool. If you loan someone this tool, loan them these instructions also.












SAVE THESE INSTRUCTIONS

SYMBOLS

The following signal words and meanings are intended to explain the levels of risk associated with this product.

SYMBOL	SIGNAL	MEANING
	DANGER:	Indicates a hazardous situation, which, if not avoided, will result in death or serious injury.
	WARNING:	Indicates a hazardous situation, which, if not avoided, could result in death or serious injury.
	CAUTION:	Indicates a hazardous situation, that, if not avoided, may result in minor or moderate injury.
	NOTICE:	(Without Safety Alert Symbol) Indicates information considered important, but not related to a potential injury (e.g. messages relating to property damage).

Some of the following symbols may be used on this product. Please study them and learn their meaning. Proper interpretation of these symbols will allow you to operate the product better and safer.

SYMBOL	NAME	DESIGNATION/EXPLANATION
	Safety Alert	Indicates a potential personal injury hazard.
	Read Operator's Manual	To reduce the risk of injury, user must read and understand operator's manual before using this product.
	Eye and Hearing Protection	Always wear eye protection with side shields marked to comply with ANSI Z87.1 along with hearing protection when operating this equipment.
	Impeller Blades	Rotating impeller blades can cause severe injury.
	Wet Conditions Alert	Do not expose to rain or use in damp locations.
	Keep Bystanders Away	Keep all bystanders at least 50 ft. away.
	Long Hair	Failure to keep long hair away from the air inlet could result in personal injury.
	Blower Tube	Do not operate without tube in place.
	Loose Clothing	Failure to keep loose clothing from being drawn into air intake could result in personal injury.
	Ricochet	Thrown objects can ricochet and result in personal injury or property damage.
	Recycle Symbol	This product uses lithium-ion (Li-ion) batteries. Local, state, or federal laws may prohibit disposal of batteries in ordinary trash. Consult your local waste authority for information regarding available recycling and/or disposal options.

SYMBOLS

Some of the following symbols may be used on this product. Please study them and learn their meaning. Proper interpretation of these symbols will allow you to operate the product better and safer.

SYMBOL	NAME	DESIGNATION/EXPLANATION
V	Volts	Voltage
min	Minutes	Time
==	Direct Current	Type or a characteristic of current
n_0	No Load Speed	Rotational speed, at no load
.../min	Per Minute	Revolutions, strokes, surface speed, orbits etc., per minute

FEATURES

PRODUCT SPECIFICATIONS

Motor	40 Volts DC
Air Velocity	
MPH	110
CFM	500

KNOW YOUR BLOWER

See Figure 1.

The safe use of this product requires an understanding of the information on the tool and in this operator's manual as well as a knowledge of the project you are attempting. Before use of this product, familiarize yourself with all operating features and safety rules.

BLOWER TUBE

The blower tube can be installed on the blower without using any tools.

OVERMOLD HANDLE

Ergonomic handle with overmold improves comfort and grip.

TURBO BOOST

The turbo boost feature temporarily increases air flow to maximum velocity.

ASSEMBLY

UNPACKING

This product requires assembly.

- Carefully remove the product and any accessories from the box. Make sure that all items listed in the packing list are included.

WARNING:

Do not use this product if any parts on the Packing List are already assembled to your product when you unpack it. Parts on this list are not assembled to the product by the manufacturer and require customer installation. Use of a product that may have been improperly assembled could result in serious personal injury.

- Inspect the product carefully to make sure no breakage or damage occurred during shipping.
- Do not discard the packing material until you have carefully inspected and satisfactorily operated the product.
- If any parts are damaged or missing, please call 1-800-860-4050 for assistance.

PACKING LIST

Blower

Blower Tube

Operator's Manual

WARNING:

If any parts are damaged or missing do not operate this product until the parts are replaced. Use of this product with damaged or missing parts could result in serious personal injury.

WARNING:

Do not attempt to modify this product or create accessories not recommended for use with this blower. Any such alteration or modification is misuse and could result in a hazardous condition leading to possible serious personal injury.

WARNING:

To prevent accidental starting that could cause serious personal injury, always remove the battery pack from the tool when assembling parts.

INSTALLING THE BLOWER TUBE

See Figure 2.

- Align raised tabs on blower housing outlet to the slots on tube; slide together and tighten securely by twisting until the tubes snap into the locked position. Check tightness after initial use and retighten if needed.

NOTICE:

When correctly assembled, the tube is difficult to separate. If it can easily be twisted apart, the tube is not locked. Continue twisting together until the tube snaps into the locked position. If the tube is not in the locked position, it can separate during blower operation.

- To remove the tube, rotate the tube and remove from the blower housing outlet.

OPERATION

WARNING:

Do not allow familiarity with products to make you careless. Remember that a careless fraction of a second is sufficient to inflict serious injury.

WARNING:

Always wear eye protection with side shields marked to comply with ANSI Z87.1, along with hearing protection. Failure to do so could result in objects being thrown into your eyes resulting in possible serious injury.

OPERATION

WARNING:

Do not use any attachments or accessories not recommended by the manufacturer of this product. The use of attachments or accessories not recommended can result in serious personal injury.

NOTICE:

Before each use, inspect the entire product for damaged, missing, or loose parts such as screws, nuts, bolts, caps, etc. Tighten securely all fasteners and caps and do not operate this product until all missing or damaged parts are replaced. Please contact customer service or an authorized service center for assistance.

APPLICATIONS

You may use this product for the purposes listed below:

- Clearing leaves and other debris from your lawn
- Keeping decks and driveways free from grass clippings, leaves, pine needles, and other debris

INSTALLING/REMOVING BATTERY PACK

See Figure 3.

WARNING:

Always remove battery pack from your tool when you are assembling parts, making adjustments, cleaning, or when not in use. Removing battery pack will prevent accidental starting that could cause serious personal injury.

To install:

- Place the battery pack in the blower. Align the raised rib on the battery pack with groove in the blower's battery port.

WARNING:

Make sure the latch on the bottom of the battery pack snaps in place and the battery pack is fully seated and secure in the blower battery port before beginning operation. Failure to securely seat the battery pack could cause the battery pack to fall out, resulting in serious personal injury.

NOTICE:

When placing battery pack in the tool, be sure raised rib on battery pack aligns with the bottom of the tool and latches into place properly. Improper installation of the battery pack can cause damage to internal components.

To remove:

- Locate the latch on the bottom of the battery pack and depress to release the battery pack from the blower.

WARNING:

Battery tools are always in operating condition. Therefore, switch should always be in the OFF position when not in use or carrying at your side. Remove battery pack when transporting or carrying blower to avoid accidental starting, which could result in serious injury.

For complete charging instructions, see the operator's manuals for your battery pack and charger.

STARTING/STOPPING THE BLOWER

See Figure 4.

- To start the blower, depress the switch trigger.
- To stop the blower, release the switch trigger.

USING TURBO BOOST

See Figure 4.

- While the switch trigger is depressed, press the turbo boost to increase the air flow to the maximum velocity.

NOTE: The blower will return to normal speed when the button is released.

OPERATING THE BLOWER

See Figure 5.

- To keep from scattering debris, blow around the outer edges of a debris pile. Never blow directly into the center of a pile.
- To reduce sound levels, limit the number of pieces of equipment used at any one time.
- Use rakes and brooms to loosen debris before blowing. In dusty conditions, slightly dampen surfaces when water is available.
- Conserve water by using power blowers instead of hoses for many lawn and garden applications, including areas such as gutters, screens, patios, grills, porches, and gardens.

OPERATION

- Watch out for children, pets, open windows, or freshly washed cars, and blow debris safely away.
- After using blowers or other equipment, CLEAN UP! Dispose of debris properly.

WARNING:

Battery tools are always in operating condition. Therefore, switch should always be in the OFF position when not in use or carrying at your side.

MAINTENANCE

WARNING:

To avoid serious personal injury, always remove the battery pack from the product when cleaning or performing any maintenance.

WARNING:

Always wear eye protection with side shields marked to comply with ANSI Z87.1, along with hearing protection. Failure to do so could result in objects being thrown into your eyes resulting in possible serious injury.

WARNING:

When servicing, use only identical replacement parts. Use of any other parts can create a hazard or cause product damage.

WARNING:

Never use water or any liquids to clean or rinse off your product and do not expose the product to rain or wet conditions. Store indoors in a dry area. Corrosive liquids, water, and chemicals can enter the product's electronic components and/or battery compartment and damage electronic components and/or the battery pack, which can result in a short circuit, increased risk of fire, and serious personal injury. Remove any buildup of dirt and debris by wiping the product clean with a dry cloth occasionally.

NOTICE :

Periodically inspect the entire product for damaged, missing, or loose parts such as screws, nuts, bolts, caps, etc. Tighten securely all fasteners and caps and do not operate this product until all missing or damaged parts are replaced. Please contact customer service or an authorized service center for assistance.

GENERAL MAINTENANCE

Avoid using solvents when cleaning plastic parts. Most plastics are susceptible to damage from various types of commercial solvents and may be damaged by their use. Use clean cloths to remove dirt, dust, oil, grease, etc.

WARNING:

Do not at any time let brake fluids, gasoline, petroleum-based products, penetrating oils, etc., come in contact with plastic parts. Chemicals can damage, weaken or destroy plastic which can result in serious personal injury.

STORAGE

- Clean all foreign material from the blower.
- Store indoors in a secure place that is inaccessible to children. Keep away from corrosive agents such as garden chemicals and de-icing salts.
- Do not hang unit so that the switch trigger is depressed.

This product has a Five-year Limited Warranty for personal, family, or household use (90 days for business or commercial use). For warranty details, visit www.ryobitools.com or call (toll free) 1-800-860-4050.

RÈGLES DE SÉCURITÉ IMPORTANTES

En utilisant un appareil électrique, précautions fondamentales toujours devraient être suivies, y compris le suivre :

AVERTISSEMENT !

LIRE ET COMPRENDRE TOUTES LES INSTRUCTIONS AVANT D'UTILISER CETTE SOUFFLERIE. Pour réduire le risque de décharge électrique, et/ou de feu blessure personnelle sérieuse.

- **Apprendre à connaître l'outil. Lire attentivement le manuel d'utilisation. Apprendre les applications et les limites de l'outil, ainsi que les risques spécifiques relatifs à son utilisation.** Le respect de cette consigne réduira les risques d'incendie, de choc électrique et de blessures graves.
- **Interdire l'utilisation du souffleur aux enfants.** Ce n'est pas un jouet. Une surveillance étroite est impérative lorsqu'il est utilisé à proximité d'enfants.
- **Utiliser exclusivement les accessoires recommandés par le fabricant pour le modèle d'outil concerné décrit dans ce manuel.** Des accessoires appropriés pour un outil peuvent être dangereux s'ils sont utilisés avec un autre. Utiliser exclusivement selon les instructions de ce manuel.
- **Ne pas manipuler le chargeur, la fiche du chargeur et les bornes du chargeur avec des mains humides.**
- **Ne pas insérer d'objet dans les ouvertures. Ne pas utiliser si une ouverture est bloquée ; veiller à ce que les ouvertures ne soient jamais obstruées par de la poussière, de la peluche, des cheveux ou quoi que ce soit risquant de réduire le flux d'air.**
- **Ne pas charger l'appareil à l'extérieur.**
- **Garder les cheveux, les vêtements amples, les doigts et toute autre partie du corps à l'écart des ouvertures et pièces en mouvement.**
- **Désactiver toutes les commandes avant de retirer la pile.**
- **Faire preuve d'une grande prudence lors du nettoyage des escaliers et des marches.**
- **Ne pas utiliser d'outils dans des atmosphères explosives, en présence de liquides, de gaz ou de poussières inflammables par exemple.** Les outils motorisés produisent des étincelles qui risquent d'enflammer les poussières ou les vapeurs.
- **Garder le lieu de travail propre et bien éclairé.** Les établis encombrés et les endroits sombres sont propices aux accidents.
- **Éloigner les badauds, enfants et visiteurs à une distance d'au moins 15 m (50 pi) pendant l'utilisation d'un outil motorisé.** Les distractions peuvent causer une perte de contrôle.
- **Les piles d'outils motorisés, qu'elles soient intégrées ou amovibles, ne doivent être rechargées qu'avec le chargeur spécifié.** Un chargeur approprié pour un type de pile peut créer un risque d'incendie s'il est utilisé avec un autre type de pile.
- **Utiliser exclusivement le bloc de pile spécifiquement indiqué pour l'outil.** L'utilisation de toute autre pile peut créer un risque d'incendie.
- **Utiliser ce produit seulement avec les piles et les chargeurs indiqués dans le supplément de raccordement pour chargeur/outils/piles/appareil n° 987000-432.**
- **Ne pas utiliser un chargeur dont la prise ou le cordon sont endommagés au risque de causer un court-circuit et un choc électrique.** Le cas échéant, faire remplacer la prise ou le cordon immédiatement par un centre de réparations agréé.
- **Si l'appareil ne fonctionne pas correctement, s'il a été échappé, s'il est endommagé, s'il a été laissé à l'extérieur ou s'il est tombé dans l'eau, retourner le produit au centre de réparations.**
- **Rester attentif, prêter attention au travail et faire preuve de bon sens lors de l'utilisation de tout outil motorisé. Ne pas utiliser cet outil en état de fatigue, vexé ou sous l'influence d'alcool, de drogues ou de médicaments.** Un moment d'inattention pendant l'utilisation d'un outil motorisé peut causer des blessures graves.
- **Attacher les cheveux longs pour les maintenir au-dessus des épaules, afin qu'ils ne se prennent pas dans les pièces en mouvement.**
- **Éviter les démarrages accidentels. S'assurer que la commande est verrouillée en position d'arrêt avant d'insérer le bloc-piles.** Le transport d'outils avec le doigt sur la commande ou l'insertion du bloc de pile avec la commande en position de marche présente un risque d'accident.
- **Utiliser un équipement de sécurité. Toujours porter des lunettes de protection.** Suivant les conditions, le port d'un masque filtrant, de chaussures de sécurité, d'un casque ou d'une protection auditive est recommandé.
- **Ne porter ni vêtements amples, ni bijoux. Attacher ou couvrir les cheveux longs.** Les vêtements amples, les bijoux et les cheveux longs peuvent se prendre dans les ouïes d'aération.
- **Ne pas utiliser sur une échelle, le dessus de toit, l'arbre ou un support instable.** Une position stable sur une surface ferme permet de mieux contrôler l'outil en cas de situation imprévue.
- **Ne pas utiliser l'outil si la commande ne permet pas de le mettre en marche ou de l'arrêter.** Un outil qui ne peut pas être contrôlé par sa commande est dangereux et doit être réparé.
- **Déconnecter le bloc-piles et mettre la commande sur arrêt ou sur verrouillage avant d'effectuer des réglages, de changer d'accessoire ou de remiser l'outil.** Ces mesures de sécurité réduisent les risques de démarrage accidentel de l'outil.
- **Lorsque le bloc-piles n'est pas utilisé, le tenir à l'écart d'objets métalliques tels que : les attaches trombones, les pièces de monnaie, les clous, les vis et les autres petits objets métalliques risquant d'établir le contact entre les deux bornes.** La mise en court-circuit des bornes de piles peut causer des étincelles, des brûlures ou un incendie.
- **Vérifier qu'aucune pièce mobile n'est mal alignée ou bloquée, qu'aucune pièce n'est brisée et s'assurer qu'aucun autre problème ne risque d'affecter le bon fonctionnement de l'outil.** En cas de dommages, faire réparer l'outil avant de l'utiliser de nouveau. Beaucoup d'accidents sont causés par des outils mal entretenus.
- **Garder l'outil et sa poignée secs, propres et exempts d'huile ou de graisse.** Toujours utiliser un chiffon propre pour le nettoyage. Ne jamais nettoyer l'outil avec du liquide de frein, de l'essence, des produits à base de pétrole ou des solvants puissants. Le respect de cette règle réduira les risques de perte du contrôle et de dommage du boîtier en plastique.
- **Toujours porter des lunettes de sécurité avec écrans latéraux.** Les lunettes de vue ordinaires sont munies

RÈGLES DE SÉCURITÉ IMPORTANTES




seulement de verres résistants aux impacts. Ce ne sont PAS des lunettes de sécurité. Le respect de cette règle réduira les risques de choc électrique.

- **Porter une protection oculaire avec écrans latéraux certifiée conforme à la norme ANSI Z87.1 lors de l'utilisation de ce produit.**
- **Protection respiratoire. Porter un masque facial ou un masque anti-poussière si le travail produit de la poussière.** Le respect de cette consigne réduira les risques de blessures graves.
- **Protection auditive. Porter une protection auditive lors de l'utilisation prolongée.** Le respect de cette règle réduira les risques de blessures graves.
- **Les outils fonctionnant sur piles n'ayant pas besoin d'être branchés sur une prise secteur, ils sont toujours en état de fonctionnement. Tenir compte des dangers possibles lorsque l'outil n'est pas en usage et lors du remplacement des piles.** Le respect de cette consigne réduira les risques d'incendie, de choc électrique et de blessures graves.
- **En cas d'usage abusif, du liquide peut s'échapper des batteries. Éviter tout contact avec ce liquide.** En cas de contact accidentel, rincer immédiatement les parties atteintes avec de l'eau. Si le liquide pénètre dans vos yeux, il faut aussi consulter un médecin. Le liquide s'échappant des batteries peut causer des irritations ou des brûlures.
- **Ne pas utiliser un bloc-piles ou un appareil endommagé ou modifié.** Le bris ou la modification du bloc-piles peut causer un comportement imprévisible et causer un incendie, une explosion ou des blessures.
- **Ne pas exposer le bloc-piles ou l'outil à un feu ou à des températures excessives.** Une exposition à un incendie ou à une température supérieure à 130 °C (265 °F) peut provoquer une explosion.
- **Suivre toutes les instructions afférentes à la recharge et ne pas recharger le bloc-piles ou l'appareil dans des emplacements où la température est inférieure 10 °C (50 °F) à ou supérieure à 38 °C (100 °F).** Une recharge incorrecte ou hors des températures spécifiées peut endommager la pile et augmenter les risques de feu.
- **Ne modifiez pas ou n'essayez jamais de réparer l'appareil ou le bloc de batterie, sauf comme indiqué dans les instructions d'utilisation et d'entretien.**
- **Ne pas placer les outils motorisés sans fil ou leurs piles à proximité de flammes ou d'une source de chaleur.** Ceci réduira les risques d'explosion et de blessures.
- **Ne pas exposer les outils motorisés à la pluie ou l'humidité.** La pénétration d'eau dans ces outils accroît le risque de choc électrique.
- **Porter des pantalons longs, des bottes et des gants.** Éviter de porter des vêtements lâches ou des bijoux qui pourraient être pris dans les pièces en mouvement de la machine ou le moteur.
- **Ne pas faire fonctionner l'équipement pied nus ou en portant des sandales ou des chaussures légères similaires.** Porter des chaussures de protection qui protègent les pieds et améliorent l'équilibre sur des surfaces glissantes.
- **Se tenir bien campé et en équilibre. Ne pas travailler hors de portée de l'outil.** Cette façon de travailler pourrait vous faire perdre l'équilibre. Faire preuve de prudence pour éviter de glisser ou tomber.
- **Examiner la zone de travail avant chaque utilisation.** La débarrasser de tous les objets tels que cailloux, verre brisé, clous, fils métalliques, cordes, etc. risquant d'être projetés ou de se prendre dans la machine.
- **Ne pas diriger la soufflante vers des personnes ou un animaux.**
- **Ne jamais utiliser la soufflante sans les accessoires appropriés installés.** Les tubes doivent toujours être en place.
- **Lorsqu'il n'est pas utilisé, l'outil doit être rangé à l'intérieur dans un endroit sec et sous verrou, hors de la portée des enfants.**
- **Éviter que la gâchette ne soit appuyée lors de la suspension de l'appareil.**
- **Garder tous les badauds, enfants et animaux domestiques à une distance d'au moins 15 m (50 pi).**
- **Ne pas jeter de bloc-piles gravement endommagé ou usé et ce souffleur dans un feu. La pile incendiée peut exploser.**
- Arrêter le moteur, attendre que toutes les pièces en mouvement cessent de bouger et retirer le bloc-piles avant tout nettoyage ou entretien.
- **Ne jamais utiliser de l'eau ou une autre liquide pour nettoyer ou rincer la produit et n'exposez pas à la pluie ou conditions l'humidité. La remiser à l'intérieur dans un endroit sec.** Les liquides corrosifs, l'eau et les produits chimiques peuvent s'infiltrer dans le composants électroniques et/ou le compartiment de la pile et endommager les composants électroniques et/ou le bloc-pile, ce qui peut entraîner un court-circuit, augmenter le risque d'incendie ou des blessures corporelles graves. Enlever toute accumulation de la saleté et les débris sur la produit de temps en temps avec un linge sec.
- **Le service d'outil doit être seulement exécuté par le personnel de réparation qualifié.** Entretien ou l'entretien exécuté par le personnel incompetent peut avoir pour résultat un risque de blessure.
- **En entretenant un outil, un usage un remplacement seulement identique sépare.** Suivre des instructions dans la section d'Entretien de ce manuel. L'usage de parties ou l'échec inautorisées pour suivre les Instructions d'Entretien peuvent créer un risque de choc ou de blessure.
- **Ne jamais utiliser la soufflante à proximité de flammes, d'un foyer, de cendres chaudes, d'un grill, etc.** Ne pas respecter cette directive peut faire en sorte que les flammes se propagent, ce qui peut causer des blessures ou des dommages à la propriété.
- **Ne jamais utiliser la soufflante pour répandre des produits chimiques, des fertilisants ou toute autre substance toxique.** Le fait de répandre ces substances peut faire en sorte d'infliger des blessures à l'utilisateur ou à des tierces personnes.
- **Ne jamais placer la soufflante en marche sur une surface, sauf si celle-ci est dure et propre.** Le gravier, le sable et les autres débris peuvent être aspirés dans l'entrée d'air et projetés en direction de l'utilisateur ou des personnes à proximité, ce qui peut entraîner des blessures graves.
- **Pour usage domestique seulement.**
- **Conserver ces instructions.** Les consulter fréquemment et les utiliser pour instruire les autres utilisateurs éventuels. Si cet outil est prêté, il doit être accompagné de ces instructions.












CONSERVER CES INSTRUCTIONS

SYMBOLES

Les termes de mise en garde suivants et leur signification ont pour but d'expliquer le degré de risques associé à l'utilisation de ce produit.

SYMBOLE	SIGNAL	SIGNIFICATION
	DANGER :	Indique une situation dangereuse qui, si elle n'est pas évitée, aura pour conséquences des blessures graves ou mortelles.
	AVERTISSEMENT :	Indique une situation dangereuse qui, si elle n'est pas évitée, pourrait entraîner des blessures graves ou mortelles.
	ATTENTION :	Indique une situation dangereuse qui, si elle n'est pas évitée, pourrait entraîner des blessures légères ou de gravité modérée.
	AVIS :	(Sans symbole d'alerte de sécurité) Indique les informations jugées importantes sans toutefois représenter un risque de blessure (ex. : messages concernant les dommages matériels).

Certains des symboles ci-dessous peuvent être utilisés sur produit. Veiller à les étudier et à apprendre leur signification. Une interprétation correcte de ces symboles permettra d'utiliser produit plus efficacement et de réduire les risques.

SYMBOLE	NOM	DÉSIGNATION / EXPLICATION
	Symbole d'alerte de sécurité	Indique un risque de blessure potentiel.
	Lire le manuel d'utilisation	Pour réduire les risques de blessures, l'utilisateur doit lire et veiller à bien comprendre le manuel d'utilisation avant d'utiliser ce produit.
	Protection oculaire et auditive	Toujours porter une protection oculaire avec écrans latéraux certifiée conforme à la norme ANSI Z87.1 ainsi qu'un protection auditive.
	Pales de ventilateur	Les pales de ventilateur en rotation peuvent causer des blessures graves
	Avertissement concernant l'humidité	Ne pas exposer à la pluie ou l'humidité.
	Ne laisser personne s'approcher	Garder les badauds à une distance de 15 m (50 pi) minimum.
	Cheveux longs	Ne pas garder les cheveux longs à l'écart de l'entrée d'air peut entraîner des blessures.
	Tube de soufflante	Ne pas utiliser sans le tube en place.
	Vêtements amples	Ne pas garder les vêtements amples à l'écart de l'entrée d'air peut entraîner des blessures.
	Ricochet	Les objets projetés peuvent ricocher et infliger des blessures ou causer des dommages matériels.
	Symbole de recyclage	Ce produit utilise les piles de lithium-ion (Li-ion). Les réglementations locales ou gouvernementales peuvent interdire de jeter les piles dans les ordures ménagères. Consulter les autorités locales compétentes pour les options de recyclage et/ou l'élimination.

SYMBOLES

Certains des symboles ci-dessous peuvent être utilisés sur produit. Veiller à les étudier et à apprendre leur signification. Une interprétation correcte de ces symboles permettra d'utiliser produit plus efficacement et de réduire les risques.

SYMBOLE	NOM	DÉSIGNATION / EXPLICATION
V	Volts	Tension
min	Minutes	Temps
—	Courant continu	Type ou caractéristique du courant
n_0	Vitesse à vide	Vitesse de rotation à vide
.../min	Par minute	Tours, coups, vitesse périphérique, orbites, etc., par minute

CARACTÉRISTIQUES

FICHE TECHNIQUE

Moteur	40 V c.c.
Vitesse d'air	
M/H	110
Pi3/min	500

APPRENDRE À CONNAÎTRE LA SOUFFLANTE

Voir la figure 1.

La sécurité d'utilisation de ce produit exige la compréhension des informations apposées sur l'outil et contenues dans ce manuel d'utilisation, ainsi que la connaissance du travail à exécuter. Avant d'utiliser ce produit, se familiariser avec toutes ses fonctions et règles de sécurité.

TUBE DE SOUFFLANTE

Le tube de la soufflante s'installe facilement sur la soufflante sans outils.

POIGNÉE SURMOULÉS

Poignée ergonomique avec surmoulage pour un plus grand confort et une meilleure prise

SURALIMENTATION

La caractéristique de suralimentation augmente temporairement le débit d'air à la vitesse maximum.

ASSEMBLAGE

DÉBALLAGE

Ce produit nécessite l'assemblage.

- Avec précaution, sortir le produit et les accessoires de la boîte. S'assurer que toutes les pièces figurant sur la liste de contrôle sont incluses.

⚠ AVERTISSEMENT :

Ne pas utiliser le produit si, en le déballant, vous constatez que des éléments figurant dans la liste d'expédition sont déjà assemblés. Certaines pièces figurant sur cette liste n'ont pas été assemblées par le fabricant et exigent une installation. Le fait d'utiliser un produit qui a été assemblé de façon inadéquate peut entraîner des blessures.

- Examiner soigneusement le produit pour s'assurer que rien n'a été brisé ou endommagé en cours de transport.
- Ne pas jeter les matériaux d'emballage avant d'avoir soigneusement examiné l'outil et avoir vérifié qu'il fonctionne correctement.
- Si des pièces sont manquantes ou endommagées, appeler le 1-800-860-4050.

LISTE DE CONTRÔLE D'EXPÉDITION

Soufflante

Tube de soufflante

Manuel d'utilisation

⚠ AVERTISSEMENT :

Si des pièces manquent ou sont endommagées, ne pas utiliser ce produit avant qu'elles aient été remplacées. Le fait d'utiliser ce produit même s'il contient des pièces endommagées ou s'il lui manque des pièces peut entraîner des blessures graves.

⚠ AVERTISSEMENT :

Ne pas essayer de modifier cet outil ou de créer des accessoires non recommandés pour l'outil. De telles altérations ou modifications sont considérées comme un usage abusif et peuvent créer des conditions dangereuses, risquant d'entraîner des blessures graves.

⚠ AVERTISSEMENT :

Pour empêcher un démarrage accidentel pouvant entraîner des blessures graves, toujours retirer le bloc de pile de l'outil avant d'assembler des pièces.

INSTALLATION DE LA TUBE DES SOUFFLANTE

Voir la figure 2.

- Aligner les languettes en saillie du prise de boîtier de soufflante sur les fentes du tube, emboîter le tube et le serrer fermement en le tournant jusqu'à ce que les tubes s'emboîtent dans la position verrouillée. Vérifier le serrage après l'utilisation initiale et resserrer selon le besoin.

AVIS :

Lorsque le tube est assemblé correctement, il sera difficile à séparer. S'il est facile de le séparer, le tube n'est pas verrouillé. Continuer à le tourner jusqu'à ce que le tube s'emboîte dans la position verrouillée. Si le tube n'est pas dans la position verrouillée, il peut se séparer pendant l'utilisation du souffleur.

- Pour enlever le tube, tourner le tube et l'enlever de la sortie du corps du souffleur.

UTILISATION

⚠ AVERTISSEMENT :

Ne pas laisser la familiarité avec ce produits faire oublier la prudence. Ne pas oublier qu'une fraction de seconde d'inattention peut entraîner des blessures graves.

⚠ AVERTISSEMENT :

Toujours porter une protection oculaire avec écrans latéraux certifiée conforme à la norme ANSI Z87.1 ainsi qu'une protection auditive. Si cette précaution n'est pas prise, des objets peuvent être projetés dans les yeux et causer des lésions graves.

UTILISATION

⚠️ AVERTISSEMENT :

Ne pas utiliser d'outils ou accessoires non recommandés par le fabricant pour ce produit. L'utilisation de pièces et accessoires non recommandés peut entraîner des blessures graves.

AVIS :

Avant chaque utilisation, inspecter au complet le produit afin de s'assurer qu'aucune pièce (vis, écrous, boulons, chapeaux, etc.) n'est endommagée, manquante ou desserrée. Serrer solidement toutes les pièces de fixation et les chapeaux et ne pas utiliser le produit tant que toutes les pièces manquantes ou endommagées n'ont pas été remplacées. Pour obtenir de l'aide, veuillez communiquer avec le service à la clientèle ou un centre de réparations agréé.

APPLICATIONS

Ce produit peut être utilisé pour les applications ci-dessous :

- Élimination des feuilles et d'autres débris des pelouses
- Élimination de les brins d'herbe, feuilles, aiguilles de pin, et d'autres débris des terrasses et allées de garage

INSTALLATION / RETRAIT DU BLOC-PILES

Voir la figure 3.

⚠️ AVERTISSEMENT :

Toujours retirer la pile de l'outil au moment d'assembler des pièces, d'effectuer des réglages et de procéder au nettoyage, ou lorsque l'outil n'est pas utilisé. Le fait de retirer la pile permet d'empêcher un démarrage accidentel pouvant entraîner des blessures graves.

Installation :

- Insérer le bloc-piles dans le soufflante. Aligner la nervure en saillie du bloc-piles sur la rainure du logement du soufflante.

⚠️ AVERTISSEMENT :

S'assurer que le loquet au bas du bloc-piles s'enclenche et que le bloc-piles est installé et fixé correctement au souffleur avant de commencer le travail. Ne pas installer et fixer correctement le bloc-piles peut provoquer la chute de ce dernier et occasionner des blessures graves.

AVIS :

Lors de l'installation du bloc-piles, veiller à ce que sa nervure s'aligne sur le fond de l'outil et se verrouille en place. Une insertion incorrecte du bloc-piles peut causer des dommages aux composants internes.

Retrait :

- Appuyer sur le loquet sur le bas du bloc-piles pour le séparer du soufflante.

⚠️ AVERTISSEMENT :

Les outils à piles sont toujours en état de fonctionnement. Il est donc nécessaire de toujours verrouiller l'interrupteur lorsque l'outil n'est pas en usage et pendant son transport. Retirer la pile au moment de transporter le soufflante afin d'éviter un démarrage accidentel qui pourrait entraîner des blessures graves.

Pour prendre connaissance des consignes de chargement, consulter le manuel d'utilisation des piles et des chargeurs.

MISE EN MARCHÉ ET ARRÊT DE LA SOUFFLANTE

Voir la figure 4.

- Pour démarrer la soufflante, appuyer sur la gâchette.
- Pour arrêter la soufflante, relâcher la gâchette.

UTILISATION DE RÉGULATEUR DE SURALIMENTATION

Voir la figure 4.

- Tandis que la gâchette de l'interrupteur est enfoncée, appuyer sur le bouton de suralimentation pour augmenter le débit d'air à la vitesse maximum.

NOTE : Le souffleur retournera à sa vitesse normale une fois le bouton relâché.

UTILISATION DE LA SOUFFLANTE

Voir la figure 5.

- Pour éviter d'éparpiller les débris, souffler autour des bords des tas. Ne jamais souffler directement vers le centre d'un tas.
- Pour réduire le niveau sonore, limiter le nombre d'outils motorisés utilisés en même temps.
- Utilisez des râteliers des pelles pour séparer les débris avant de les souffler. Dans un environnement poussiéreux, humidifier légèrement les surfaces si de l'eau est disponible.
- Conserver l'eau en utilisant des soufflantes motorisées au lieu de tuyaux d'arrosage, pour nombre de travaux de nettoyage tels que celui des gouttières, moustiquaires, patios, grills, porches et jardins.

UTILISATION

- Prêter attention aux enfants, animaux, fenêtres ouvertes ou véhicules fraîchement lavés et souffler les débris en direction opposée.
- Après utilisation de la soufflante ou de tout autre équipement, NETTOYER ! Éliminer les débris selon une méthode appropriée.

AVERTISSEMENT :

Les outils à piles sont toujours en état de fonctionnement. Il est donc nécessaire de toujours verrouiller l'interrupteur lorsque l'outil n'est pas en usage et pendant son transport.

ENTRETIEN

AVERTISSEMENT :

Pour empêcher un démarrage accidentel pouvant entraîner des blessures graves, toujours retirer le bloc de pile de le produit avant tout nettoyage ou entretien.

AVERTISSEMENT :

Toujours porter une protection oculaire avec écrans latéraux certifiée conforme à la norme ANSI Z87.1 ainsi qu'une protection auditive. Si cette précaution n'est pas prise, des objets peuvent être projetés dans les yeux et causer des lésions graves.

AVERTISSEMENT :

Utiliser exclusivement des pièces d'origine pour les réparations. L'usage de toute autre pièce pourrait créer une situation dangereuse ou endommager l'outil.

AVERTISSEMENT :

Ne jamais utiliser de l'eau ou une autre liquide pour nettoyer ou rincer la produit et n'exposez pas à la pluie ou conditions l'humidité. La remiser à l'intérieur dans un endroit sec. Les liquides corrosifs, l'eau et les produits chimiques peuvent s'infiltrer dans les composants électroniques et/ou le compartiment de la pile et endommager les composants électroniques et/ou le bloc-pile, ce qui peut entraîner un court-circuit, augmenter le risque d'incendie ou des blessures corporelles graves. Enlever toute accumulation de la saleté et les débris sur la produit de temps en temps avec un linge sec.

AVIS :

Inspecter périodiquement au complet le produit afin de s'assurer qu'aucune pièce (vis, écrous, boulons, chapeaux, etc.) n'est endommagée, manquante ou desserrée. Serrer solidement toutes les pièces de fixation et les chapeaux et ne pas utiliser le produit tant que toutes les pièces manquantes ou endommagées n'ont pas été remplacées. Pour obtenir de l'aide, veuillez communiquer avec le Service à la clientèle ou un centre de réparations agréé.

ENTRETIEN GÉNÉRAL

Éviter d'utiliser des solvants pour le nettoyage des pièces en plastique. La plupart des matières plastiques peuvent être endommagées par divers types de solvants du commerce. Utiliser un chiffon propre pour éliminer la saleté, la poussière, l'huile, la graisse, etc.

AVERTISSEMENT :

Ne jamais laisser de liquides tels que le fluide de freins, l'essence, les produits à base de pétrole, les huiles pénétrantes, etc., entrer en contact avec les pièces en plastique. Les produits chimiques peuvent endommager, affaiblir ou détruire le plastique, ce qui peut entraîner des blessures graves.

REMISAGE

- Nettoyer soigneusement la soufflante.
- La remiser à l'intérieur, inaccessible aux enfants. La tenir à l'écart de produits corrosifs, tels que les produits chimiques de jardinage et le sel de dégivrage.
- Éviter que la gâchette ne soit appuyée lors de la suspension de l'appareil.

Ce produit est accompagné d'une garantie limitée de cinq (5) ans pour utilisation personnel, familiales ou domestiques (90 jours pour utilisation affaires ou commerciales).

Pour obtenir les détails de la garantie, visiter le site www.ryobitools.com ou appeler (sans frais) au 1-800-860-4050.

INSTRUCCIONES IMPORTANTES DE SEGURIDAD

Cuando se usa un electrodoméstico, las precauciones básicas siempre se deben seguir, inclusive lo siguiente:

¡ADVERTENCIA!

LEA Y COMPRENDA TODAS LAS INSTRUCCIONES ANTES DE UTILIZAR ESTE FUELLE. Para reducir el riesgo de calambre, el fuego y/o la herida personal grave.

- **Familiarícese con su sopladora eléctrica.** Lea cuidadosamente el manual del operador. Aprenda sus usos y limitaciones, así como los posibles peligros específicos de esta sopladora. Con el cumplimiento de esta regla se reduce el riesgo de una descarga eléctrica, incendio o lesión seria.
- **No permita que los niños usen la sopladora.** No es un juguete. Debe tenerse extrema precaución cuando se use cerca de niños.
- **Sólo utilice accesorios recomendados por el fabricante para cada modelo en particular se describe en este manual.** Accesorios que pueden ser adecuados para una sopladora pueden significar un riesgo de lesiones si se emplean con otra sopladora. Sólo utilice el producto de la forma descrita en este manual.
- **No manipule el cargador, incluso la clavija del cargador y las terminales del cargador, con las manos mojadas.**
- **No coloque ningún objeto en las aberturas. No la utilice con ninguna abertura bloqueada; manténgalas libres de polvo, pelusa, pelo y cualquier cosa que pueda reducir el flujo de aire.**
- **No cargue la unidad en el exterior.**
- **Mantenga el cabello, la ropa holgada, los dedos y todas las partes del cuerpo alejados de las aberturas y piezas móviles de la unidad.**
- **Apague todos los controles antes de extraer la batería.**
- **Tenga especial cuidado al limpiar escaleras o escalones.**
- **No utilice sopladoras en entornos explosivos, como los existentes alrededor de líquidos, gases y polvos inflamables.** La sopladoras eléctricas generan chispas que pueden encender el polvo y los vapores inflamables.
- **Mantenga limpia y bien iluminada el área de trabajo.** Una mesa de trabajo desordenada y una mala iluminación son causas comunes de accidentes.
- **Mantenga alejados a transeúntes, niños y demás presentes por lo menos a 15 metros (50 pies) de distancia al utilizar una sopladora eléctrica.** Toda distracción puede causar la pérdida del control de la sopladora.
- **Toda sopladora que utiliza baterías, ya sea integradas o separadas, debe recargarse únicamente con el cargador especificado para la batería.** Un cargador que puede ser adecuado para un tipo de batería puede significar un riesgo de incendio si se emplea con otro tipo de batería.
- **Utilice la sopladoras activadas con baterías únicamente con la batería específicamente indicada.** El empleo de otras baterías puede presentar un riesgo de incendio.
- **Usar este producto únicamente con la baterías y el cargadores indicados en el folleto de la herramienta/aparato/paquete de baterías/cargador complementario 987000-432.**
- **No utilice la cargador si está dañado el cable o la clavija, ya que podría causar un cortocircuito y una descarga eléctrica.** Si el cargador se encuentra dañado, un técnico de centro de servicio autorizado.
- **Si el aparato de mano no está funcionando adecuadamente, se dejó caer, se dañó, se dejó a la intemperie, o se dejó caer dentro del agua, regrésela al centro de servicio autorizado.**
- **Permanezca alerta, preste atención a lo que esté haciendo y aplique su sentido común al utilizar la sopladora eléctrica. No utilice la sopladora si está cansado, trastorno o se encuentra bajo los efectos de alguna droga, alcohol o medicamento.** Un momento de inatención al utilizar la sopladora eléctrica puede causar lesiones corporales de gravedad.
- **Recójase el cabello si lo tiene largo, de manera que le quede arriba de los hombros para evitar que se enrede en las piezas en movimiento.**
- **Evite el arranque accidental de la unidad. Asegúrese de que el interruptor esté en la posición de aseguramiento o de apagado antes de instalar la batería.** Llevar la sopladoras con el dedo en el interruptor o instalar la batería en la sopladora con el interruptor activado es causa común de accidentes.
- **Póngase equipo de seguridad. Siempre póngase protección ocular.** Cuando lo exijan las circunstancias, debe ponerse careta contra el polvo, zapatos de seguridad antiderrapantes, casco y protección auditiva.
- **No vista ropas holgadas ni porte joyas. Recójase el cabello si está largo.** Las ropas holgadas y las joyas, así como el cabello largo, pueden resultar atraídas hacia el interior de las ventilas.
- **No utilice la unidad al estar en una escalera, en el tejado, en el árbol, o en un soporte inestable.** Una postura estable sobre una superficie sólida permite un mejor control de la sopladora en situaciones inesperadas.
- **No utilice la sopladora si el interruptor no la enciende ni apaga.** Una sopladora que no puede controlarse con el interruptor es peligrosa y debe repararse.
- **Antes de efectuar ajustes, de cambiar accesorios o de guardar la sopladora, desconecte la batería de la sopladora o ponga el interruptor en la posición de aseguramiento o apagado.** Tales medidas preventivas de seguridad reducen el riesgo de poner en marcha accidentalmente la sopladora.
- **Cuando no esté usando la batería, manténgala alejada de objetos metálicos tales como: clips, monedas, llaves, clavos, tornillos y otros objetos metálicos pequeños que puedan establecer una conexión entre ambos terminales.** Al establecer una conexión directa entre los dos terminales se puede causar chispas, quemaduras o incendios.
- **Revise si las piezas móviles están desalineadas o atoradas, si hay piezas rotas o toda otra condición que pudiese afectar el funcionamiento de la sopladora. Si se daña la sopladora, llévela a servicio antes de volver a utilizarla.** Numerosos accidentes son causados por sopladoras mal cuidadas.
- **Mantenga la sopladora y su mango secos, limpios y sin aceite ni grasa.** Siempre utilice un paño limpio para la limpieza de la unidad. Nunca utilice fluidos para frenos, gasolina, productos a base de petróleo ni solventes fuertes para limpiar la sopladora. Con el cumplimiento de esta regla se reduce el riesgo de una pérdida de control y el deterioro de la carcasa de plástico de la unidad.




INSTRUCCIONES IMPORTANTES DE SEGURIDAD

- **Siempre use gafas de seguridad con protección lateral.** Los anteojos comunes sólo tienen lentes resistentes a los impactos. NO son anteojos de seguridad. Con el cumplimiento de esta regla se reduce el riesgo de posibles lesiones oculares.
- **Siempre póngase protección ocular con la marca de cumplimiento de la norma ANSI Z87.1 junto con protección auditiva.**
- **Protéjase los pulmones. Use una careta o mascarilla contra el polvo si la operación genera mucho polvo.** Con el cumplimiento de esta regla se reduce el riesgo de lesiones corporales serias.
- **Protéjase los oídos. Durante períodos prolongados de utilización del producto, póngase protección para los oídos.** Con el cumplimiento de esta regla se reduce el riesgo de lesiones corporales serias.
- **Las sopladoras de baterías no se necesitan conectar a una toma de corriente; por lo tanto, siempre están en condiciones de funcionamiento. Esté consciente de los posibles peligros cuando no esté usando la sopladora de baterías o cuando esté cambiando los accesorios de la misma.** Con el cumplimiento de esta regla se reduce el riesgo de una descarga eléctrica, incendio o lesión corporal seria.
- **Si se maltratan las baterías, puede derramarse líquido de las mismas; evite todo contacto con éste.** En caso de contacto, lávese con agua. Si el líquido llega a tocar los ojos, además busque atención médica. El líquido que sale despedido de la batería puede causar irritaciones o quemaduras.
- **No utilice un paquete de baterías o un artefacto que esté dañado o modificado.** Las baterías dañadas o modificadas pueden tener un funcionamiento impredecible que provoque incendios, explosiones o riesgo de lesiones.
- **No exponga el paquete de baterías o el artefacto al fuego o a temperaturas excesivas.** La exposición al fuego o a temperatura sobre los 130 °C (265 °F) puede provocar explosiones.
- **Siga todas las instrucciones de carga y no cargue el paquete de baterías ni el aparato en lugares donde la temperatura sea inferior a 10 °C (50 °F) o superior a 38 °C (100 °F).** Si realiza la carga en forma incorrecta o fuera de las temperaturas del rango especificado puede dañar la batería y aumentar el riesgo de incendios.
- **No modifique ni intente reparar el dispositivo o el paquete de baterías, excepto según se indica en las instrucciones de uso y mantenimiento.**
- **No coloque sopladoras de baterías ni las baterías mismas cerca del fuego o del calor.** De esta manera se reduce el riesgo de explosiones y de lesiones.
- **No exponga las sopladoras eléctricas a la lluvia ni a condiciones de humedad.** La introducción de agua en una sopladora eléctrica aumenta el riesgo de descargas eléctricas.
- **Póngase pantalones, botas y guantes gruesos.** Evite ropas holgadas o joyas que pudieran resultar atrapadas en piezas móviles de la máquina o del motor.
- **No accione el equipo cuando esté descalzo o al llevar puestas sandalias o calzado liviano similar.** Use calzado de seguridad que le proteja sus pies y mejore su postura en superficies resbaladizas.
- **Mantenga los pies bien afirmados y el equilibrio.** No trate de alcanzar demasiado lejos. Se puede perder el equilibrio al tratar de alcanzar demasiado lejos.
- **Revise el área de trabajo cada vez antes de utilizar esta sopladora.** Retire todos los objetos como piedras, vidrio roto, clavos, alambre o cuerda que puedan salir disparados o enredarse en la máquina.
- **No apunte la boquilla de la sopladora hacia personas o mascotas.**
- **Nunca utilice la unidad sin el equipo adecuado instalado.** Siempre asegúrese de instalar los tubos de la sopladora.
- **Mientras no se esté utilizando, la sopladora debe almacenarse en el interior, en un sitio seco y bajo llave, lejos del alcance de los niños.**
- **No cuelgue la unidad de una manera que el gatillo quede presionado.**
- **Mantenga a todos los circunstantes, niños y animales por lo menos a 15 metros (50 pies) de distancia.**
- **No incinere esta sopladora o un paquete de baterías desgastado o dañado seriamente.** La batería puede explotar si se la expone al fuego.
- **Apague el motor, espere hasta que todas las piezas se detengan y retire la paquete de baterías antes de limpiarla o darle mantenimiento.**
- **Nunca use agua ni otros líquidos para limpiar o enjuagar la product y no exponga la unidad a la lluvia ni de condiciones húmedas. Almacene la unidad en el interior en un lugar seco.** Los líquidos corrosivos, el agua, y los productos químicos pueden ingresar los componentes eléctricos del producto y/o al compartimiento de la batería y dañar los componentes eléctricos o el paquete de la batería, lo que podría resultar en un corto circuito, mayor riesgo de incendio y lesiones personales graves. Retire la acumulación de suciedad y los residuos limpiando el producto con un trapo seco de manera ocasional.
- **El servicio del instrumento debe ser realizado sólo por personal calificado de reparación.** Atienda a o la conservación realizada por el personal sin título puede tener como resultado un riesgo de la herida.
- **Al atender a un instrumento, el uso el reemplazo sólo idéntico despide.** Siga las instrucciones en la sección de la Conservación de este manual. El uso de partes o fracaso no autorizados seguir la Conservación las Instrucciones pueden crear un riesgo del golpe o la herida.
- **Nunca utilice el soplador cerca del fuego, chimeneas, cenizas al rojo vivo, asadores, etc.** El uso cerca del fuego o las cenizas calientes puede propagar incendios y producir lesiones serias y/o daños a los bienes.
- **Nunca use una sopladora para esparcir productos químicos, fertilizantes ni ninguna otra sustancia tóxica.** Esparcir estas sustancias podría producir lesiones serias al operador o a las personas presentes.
- **Nunca coloque el soplador en ninguna superficie, excepto que sea una superficie dura y limpia cuando el motor se encuentra en funcionamiento.** Es posible que la entrada de aire recoja grava, arena y otros residuos y los arroje al operador o a los espectadores, lo que puede causar lesiones serias.
- **Para uso doméstico únicamente.**
- **Guarde estas instrucciones.** Consúltelas con frecuencia y empléelas para instruir a otras personas que puedan utilizar esta herramienta. Si presta a alguien esta herramienta, facilítele también las instrucciones con el fin de evitar un uso indebido del producto y posibles lesiones.












GUARDE ESTAS INSTRUCCIONES

SÍMBOLOS

Las siguientes palabras de señalización y sus significados tienen el objeto de explicar los niveles de riesgo relacionados con este producto.

SÍMBOLO	SEÑAL	SIGNIFICADO
	PELIGRO:	Indica una situación peligrosa, la cual, si no se evita, causará la muerte o lesiones serias.
	ADVERTENCIA:	Indica una situación peligrosa, la cual, si no se evita, podría causar la muerte o lesiones serias.
	PRECAUCIÓN:	Indica una situación peligrosa, la cual, si no se evita, podría causar lesiones menores o leves.
	AVISO:	(Sin el símbolo de alerta de seguridad) Indica la información que se considera importante, pero no relacionada con lesiones potenciales (por ej. en relación a daños a la propiedad).

Es posible que se empleen en este producto algunos de los siguientes símbolos. Le suplicamos estudiarlos y aprender su significado. Una correcta interpretación de estos símbolos le permitirá utilizar mejor y de manera más segura el producto.

SÍMBOLO	NOMBRE	DENOMINACIÓN/EXPLICACIÓN
	Alerta de seguridad	Indica un peligro posible de lesiones personales.
	Lea el manual del operador	Para reducir el riesgo de lesiones, el usuario debe leer y comprender el manual del operador antes de usar este producto.
	Protección para los ojos y oídos	Siempre póngase protección ocular con protección lateral con la marca de cumplimiento de la norma ANSI Z87.1 junto con protección auditiva.
	Hojas del impulsor	Las hojas giratorias del impulsor pueden causar graves lesiones
	Alerta de condiciones húmedas	No exponga la unidad a la lluvia ni la use en lugares húmedos.
	Mantenga alejadas a las personas presentes	Mantenga a los circunstantes a una distancia mínima de 15 m (50 pies).
	Cabello largo	Si no mantiene el cabello largo lejos de la entrada de aire, puede producirse lesiones.
	Tubo de la sopladora	No utilice la unidad sin el tubo montados en su lugar.
	Ropa holgada	Si no impide que la entrada de aire succione la ropa holgada, puede producirse lesiones.
	Rebote	Cualquier objeto lanzado puede rebotar y producir lesiones personales o daños materiales.
	Símbolo de reciclado	Este producto utiliza baterías de iones de litio (Li-ion). Es posible que algunas leyes municipales, estatales o federales prohíban desechar las baterías en la basura normal. Consulte a las autoridades reguladoras de desechos para obtener información en relación con las alternativas de reciclado y desecho disponibles.

SÍMBOLOS

Es posible que se empleen en este producto algunos de los siguientes símbolos. Le suplicamos estudiarlos y aprender su significado. Una correcta interpretación de estos símbolos le permitirá utilizar mejor y de manera más segura el producto.

SÍMBOLO	NOMBRE	DENOMINACIÓN/EXPLICACIÓN
V	Volts	Voltaje
min	Minutos	Tiempo
—	Corriente continua	Tipo o característica de corriente
n_0	Velocidad en vacío	Velocidad de rotación, en vacío
.../min	Por minuto	Revoluciones, carreras, velocidad superficial, órbitas, etc., por minuto

CARACTERÍSTICAS

ESPECIFICACIONES DEL PRODUCTO

Motor.....	40 V, corr. cont.
Velocidad del aire	
MPH.....	110
Pies cúbicos/min	500

FAMILIARÍCESE CON LA SOPLADORA

Vea la figura 1.

Para usar este producto con la debida seguridad, se debe comprender la información indicada en la herramienta misma y en este manual, y se debe comprender también el trabajo que intenta realizar. Antes de usar este producto, familiarícese con todas las características de funcionamiento y normas de seguridad del mismo.

TUBO DE LA SOPLADORA

El tubo de la sopladora puede instalarse fácilmente en la misma.

MANGO SOBREMOLDEADO

Mango ergonómico sobremoldeado para mayor comodidad del usuario.

ALIMENTACIÓN TURBO

La alimentación turbo incrementa de forma temporaria el caudal de aire hasta la velocidad máxima.

ARMADO

DESEMPAQUETADO

Este producto requiere armado.

- Extraiga cuidadosamente de la caja, el producto y los accesorios. Asegúrese de que estén presentes todos los artículos enumerados en la lista de empaquetado.

ADVERTENCIA:

No utilice este producto si alguna pieza incluida en la lista de contenido ya está ensamblada al producto cuando lo desempaqueta. El fabricante no ensambla las piezas de esta lista en el producto. Éstas deben ser instaladas por el usuario. El uso de un producto que puede haber sido ensamblado de forma inadecuada podría causar lesiones personales graves.

- Inspeccione cuidadosamente el producto para asegurarse de que no haya sufrido ninguna rotura o daño durante el transporte.
- No deseche el material de empaquetado hasta que haya inspeccionado cuidadosamente el producto y la haya utilizado satisfactoriamente.
- Si hay piezas dañadas o faltantes, le suplicamos llamar al 1-800-860-4050, donde le brindaremos asistencia.

LISTA DE EMPAQUETADO

Sopladora

Tubo de la sopladora

Manual del operador

ADVERTENCIA:

Si hay piezas dañadas o faltantes, no utilice esta producto sin haber reemplazado todas las piezas. Usar este producto con partes dañadas o faltantes puede causar lesiones serias al operador.

ADVERTENCIA:

No intente modificar este producto ni hacer accesorios no recomendados para la misma. Cualquier alteración o modificación constituye maltrato, el cual puede causar una condición peligrosa y como consecuencia, posibles lesiones corporales serias.

ADVERTENCIA:

Para evitar un arranque accidental que podría causar lesiones corporales serias, siempre desmonte de la herramienta el paquete de baterías al montarle piezas a aquélla.

INSTALACIÓN DEL TUBO DE LA SOPLADORA

Vea la figura 2.

- Alinee las orejetas realizadas del salida del alojamiento de la sopladora con las ranuras del tubo; déjelas bien aseguradas únalas con un movimiento de deslizamiento y con un movimiento de torsión hasta que los tubos enganchen y queden bloqueados. Verifique el apriete después de una utilización inicial y efectúe un apriete adicional si es necesario.

AVISO:

Cuando están ensamblados de manera correcta, es difícil separar los tubos. Si pueden separarse fácilmente girándolos, los tubos no están bloqueados. Siga girándolos para unirlos hasta que enganchen y queden bloqueados. Si el tubo no está en posición bloqueada, puede separarse durante el uso de la sopladora.

- Para quitar el tubo, gírelo y sáquelo de la abertura de la carcasa de la sopladora.

FUNCIONAMIENTO

ADVERTENCIA:

No permita que su familiarización con las sopladoras lo vuelva descuidado. Tenga presente que un descuido de un instante es suficiente para causar una lesión grave.

ADVERTENCIA:

Siempre póngase protección ocular con protección lateral con la marca de cumplimiento de la norma ANSI Z87.1 junto con protección auditiva. La inobservancia de esta advertencia puede causar el lanzamiento de objetos hacia los ojos y otras lesiones graves.

FUNCIONAMIENTO

⚠ ADVERTENCIA:

No utilice ningún aditamento o accesorio no recomendado por el fabricante de esta sopladora. El empleo de aditamentos o accesorios no recomendados podría causar lesiones serias.

AVISO:

Antes de cada uso, inspeccione todo el producto para detectar partes dañadas, faltantes o sueltas, como tornillos, tuercas, pernos, tapas, etc. Apriete firmemente todos los sujetadores y las tapas y no accione este producto hasta que todas las partes faltantes o dañadas sean reemplazadas. Póngase en contacto con el servicio al cliente o con un centro de servicio autorizado para obtener ayuda.

USOS

Esta sopladora puede emplearse para los fines enumerados abajo:

- Quitar hojas y otros desechos del jardín
- Mantener terrazas y caminos de entrada libres de recortes de hierba, hojas, agujas de pino y otros desechos del jardín

DESMONTAR Y MONTAR EL PAQUETE DE BATERÍAS

Vea la figura 3.

⚠ ADVERTENCIA:

Retire siempre el paquete de baterías de la herramienta antes de instalar las piezas, realizar ajustes. limpiarla o cuando no la utilice. Retirar el paquete de baterías evitará que la unidad se accione accidentalmente y provoque lesiones graves.

Para conectar:

- Coloque el paquete de baterías en la sopladora. Alinee la costilla realzada exterior del paquete de baterías con la ranura interior del receptáculo para baterías de sopladora.

⚠ ADVERTENCIA:

Asegúrese de que la traba de la parte inferior del paquete de baterías quede insertada en su lugar y que el paquete de baterías esté totalmente asentado y firme en la recortadora antes de poner la máquina en funcionamiento. No asentar el paquete de baterías correctamente podría provocar que el paquete de baterías se caiga y cause lesiones personales graves.

AVISO:

Al colocar el paquete de baterías en la herramienta, asegúrese que la costilla realzada del mismo quede alineada con la parte inferior de la herramienta y de que los pestillos entren adecuadamente en su lugar. Si no se instala debidamente el paquete de baterías pueden dañarse los componentes internos.

Para el desmontaje:

- Localice el pestillo situados de la parte inferior del paquete de baterías y oprímalos en para liberar éste de la sopladora.

⚠ ADVERTENCIA:

Las herramientas de baterías siempre están en condiciones de funcionamiento. Por lo tanto, siempre debe estar asegurado el interruptor cuando no esté usándose o el operador lo lleve por un lado. Retire el paquete de pilas al transportar o trasladar la sopladora a fin de evitar arranques accidentales que podría causar lesiones serias.

Para obtener instrucciones específicas de carga, lea el manual del operador que se incluye con el cargador y la batería.

ENCENDIDO Y APAGADO DE LA SOPLADORA

Vea la figura 4.

- Para arrancar la sopladora, oprima el gatillo del interruptor.
- Para detener la sopladora, suelte el gatillo del interruptor.

USANDO EL CONTROL DE ALIMENTACIÓN TURBO

Vea la figura 4.

- Mientras está presionado el gatillo del interruptor, presione la alimentación turbo para incrementar el caudal de aire hasta la velocidad máxima.

NOTA: La sopladora volverá a la velocidad normal cuando suelte el botón.

FUNCIONAMIENTO DE LA SOPLADORA

Vea la figura 5.

- Para evitar la dispersión de los desechos, apunte la sopladora hacia los bordes exteriores de un apilamiento de desechos. Nunca apunte la sopladora directamente al centro de una batería de desechos.
- Para reducir el nivel de ruido, limite a uno el número de equipos utilizados a la vez.
- Utilice rastrillos y escobas para aflojar los desechos antes de utilizar la sopladora. En condiciones polvorientas, cuando haya agua disponible, humedezca levemente las superficies.
- Conserve agua utilizando sopladores motorizados en lugar de mangueras para numerosos usos de jardinería, incluso para canalones, pantallas, patios, parrillas, porches y jardines.

FUNCIONAMIENTO

- Esté al cuidado de niños, mascotas, ventanas abiertas o coches recién lavados, y sople los desechos de manera segura.
- Después de utilizar sopladores o cualquier otro equipo, ¡LIMPIE! Deseche de forma adecuada los desechos.

ADVERTENCIA:

Las herramientas de baterías siempre están en condiciones de funcionamiento. Por lo tanto, siempre debe estar asegurado el interruptor cuando no esté usándose o el operador lo lleve por un lado.

MANTENIMIENTO

ADVERTENCIA:

Para evitar lesiones corporales serias, siempre retire el paquete de baterías de la herramienta al limpiarla o darle mantenimiento.

ADVERTENCIA:

Siempre póngase protección ocular con protección lateral con la marca de cumplimiento de la norma ANSI Z87.1 junto con protección auditiva. Si no cumple esta advertencia, los objetos que salen despedidos pueden producirle lesiones serias en los ojos.

ADVERTENCIA:

Al dar servicio a la unidad, sólo utilice piezas de repuesto idénticas. El empleo de piezas diferentes puede causar un peligro o dañar el producto.

ADVERTENCIA:

Nunca use agua ni otros líquidos para limpiar o enjuagar la product y no exponga la unidad a la lluvia ni de condiciones húmedas. Almacene la unidad en el interior en un lugar seco. Los líquidos corrosivos, el agua, y los productos químicos pueden ingresar los componentes eléctricos del producto y/o al compartimiento de la batería y dañar los componentes eléctricos o el paquete de la batería, lo que podría resultar en un corto circuito, mayor riesgo de incendio y lesiones personales graves. Retire la acumulación de suciedad y los residuos limpiando el producto con un trapo seco de manera ocasional.

AVISO:

Inspeccione periódicamente todo el producto para detectar partes dañadas, faltantes o sueltas, como tornillos, tuercas, pernos, tapas, etc. Apriete firmemente todos los sujetadores y las tapas y no accione este producto hasta que todas las partes faltantes o dañadas sean reemplazadas. Póngase en contacto con el servicio al cliente o con un centro de servicio autorizado para obtener ayuda.

MANTENIMIENTO GENERAL

Evite el empleo de solventes al limpiar piezas de plástico. La mayoría de los plásticos son susceptibles a diferentes tipos de solventes comerciales y pueden resultar dañados. Utilice paños limpios para eliminar la suciedad, el polvo, el aceite, la grasa, etc.

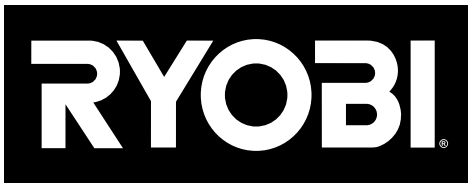
ADVERTENCIA:

No permita en ningún momento que fluidos para frenos, gasolina, productos a base de petróleo, aceites penetrantes, etc., lleguen a tocar las piezas de plástico. Las sustancias químicas pueden dañar, debilitar o destruir el plástico, lo cual a su vez puede producir lesiones corporales serias.

ALMACENAMIENTO

- Limpie toda materia extraña presente en la sopladora.
- Almacene la unidad en el interior, inaccesible a los niños. Evite que la unidad entre en contacto con agentes corrosivos como las sustancias químicas para el jardín y las sales para derretir el hielo.
- No cuelgue la unidad de una manera que el gatillo quede presionado.

Este producto tiene una garantía limitada de cinco años para fines personales, familiares o domésticos (90 días para usos trabajo o comercial). Para obtener detalles sobre la garantía, diríjase a www.ryobitools.com o llame sin cargo al 1-800-860-4050.



OPERATOR'S MANUAL
MANUEL D'UTILISATION / MANUAL DEL OPERADOR
40 VOLT BLOWER
SOUFFLANTE 40 V / SOPLADORA DE 40 V
RY40406/R40406VN

- **PARTS AND SERVICE:** Prior to requesting service or purchasing replacement parts, please obtain your item, manufacturing, and serial numbers from the product data plate.

ITEM NO. _____

MANUFACTURING NO. _____

SERIAL NO. _____

HOW TO OBTAIN REPLACEMENT PARTS: Replacement parts can be purchased online at www.ryobitools.com or by calling 1-800-860-4050. Replacement parts can also be obtained at one of our service centers.

HOW TO LOCATE A SERVICE CENTER: Service centers can be located online at www.ryobitools.com or by calling 1-800-860-4050.

HOW TO OBTAIN CUSTOMER OR TECHNICAL SUPPORT: To obtain customer or technical support please contact us at 1-800-860-4050.

RYOBI is a registered trademark of Ryobi Limited and is used pursuant to a license granted by Ryobi Limited.

- **PIÈCES ET SERVICE :** Avant de faire la demande de service ou l'achat de pièces de remplacement, veuillez obtenir le numéro d'article, le numéro de fabrication et le numéro de série à partir de la plaque de données du produit.

NUMÉRO D'ARTICLE _____

NUMÉRO DE FABRICATION _____

NUMÉRO DE SÉRIE _____

COMMENT OBTENIR LES PIÈCES DE REMPLACEMENT : Les pièces de remplacement peuvent être achetées en ligne sur le site www.ryobitools.com ou par téléphone au 1-800-860-4050. Les pièces de remplacement peuvent être obtenues à un de nos centres de service.

COMMENT TROUVER UN CENTRE DE SERVICE : Les centres de service peuvent être localisés en ligne au www.ryobitools.com ou en téléphonant au 1-800-860-4050.

COMMENT OBTENIR DE L'AIDE EN CONTACTANT LE SERVICE À LA CLIENTÈLE : Pour contacter le service à la clientèle pour une question technique ou pour tout autre renseignement, veuillez nous téléphoner au 1-800-860-4050.

RYOBI est une marque déposée de Ryobi Limited et est utilisée en vertu d'une licence accordée par Ryobi Limited.

- **PIEZAS DE REPUESTO Y SERVICIO:** Antes de solicitar servicio técnico o comprar piezas de repuesto, obtenga su número de artículo, el número de fabricación y el número de serie de la placa de datos del producto.

NÚMERO DE ARTÍCULO _____

NÚMERO DE FABRICACIÓN _____

NÚMERO DE SERIE _____

CÓMO OBTENER PIEZAS DE REPUESTO: Las piezas de repuesto se pueden comprar en nuestro sitio en la red mundial, en la dirección www.ryobitools.com o llamando al 1-800-860-4050. Las piezas de repuesto también se pueden obtener en uno de nuestros centros de servicio.

CÓMO LOCALIZAR UN CENTRO DE SERVICIO: Puede encontrar los centros de servicio visitando nuestro sitio en la red mundial, en la dirección www.ryobitools.com or by calling 1-800-860-4050.

CÓMO OBTENER SERVICIO O ASISTENCIA TÉCNICA AL CONSUMIDOR: Para obtener servicio o asistencia técnica al consumidor, sírvase comunicarse con nosotros llamando al 1-800-860-4050.

RYOBI es una marca registrada de Ryobi Limited y se utiliza conforme a una licencia otorgada por Ryobi Limited.

TECHTRONIC INDUSTRIES POWER EQUIPMENT