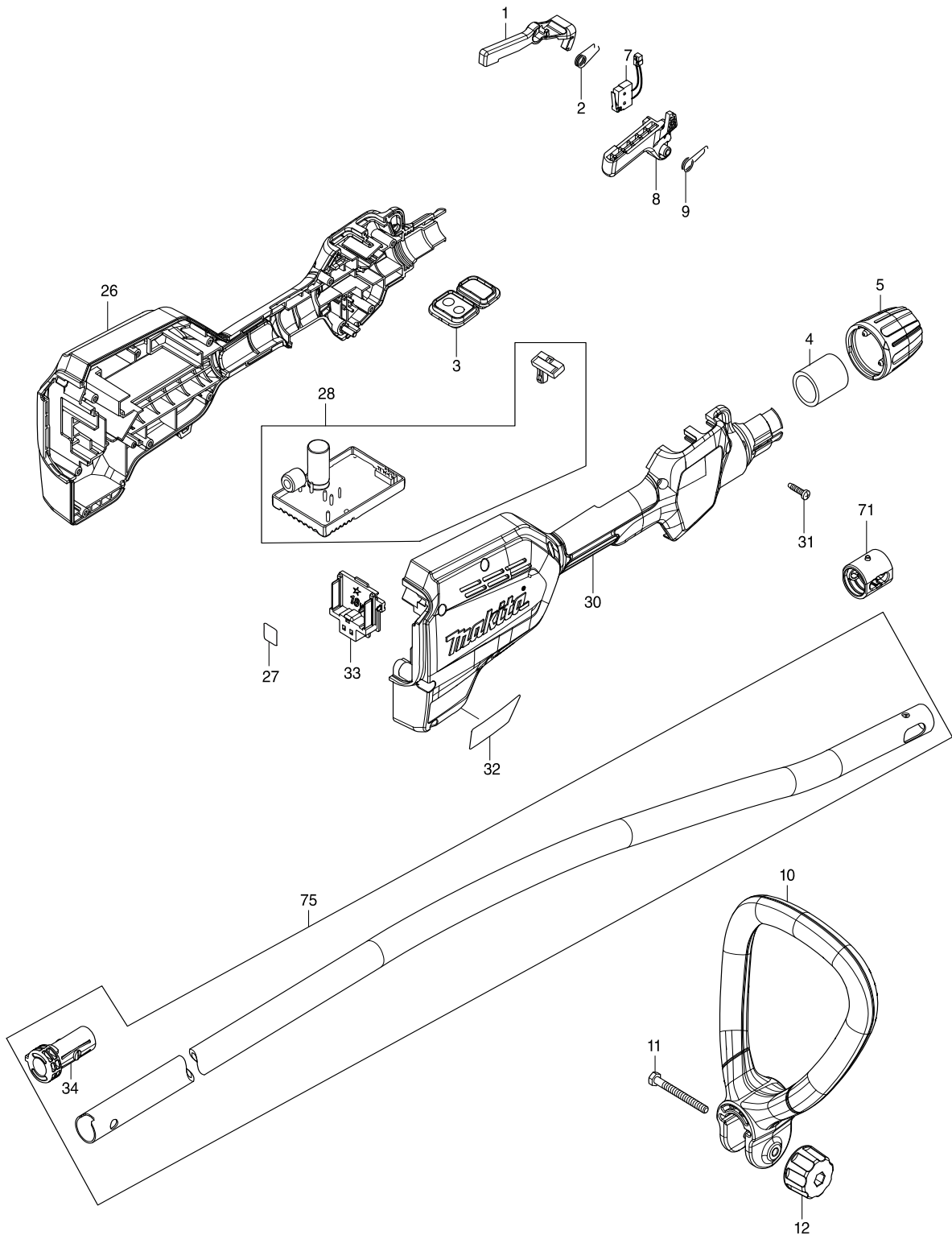


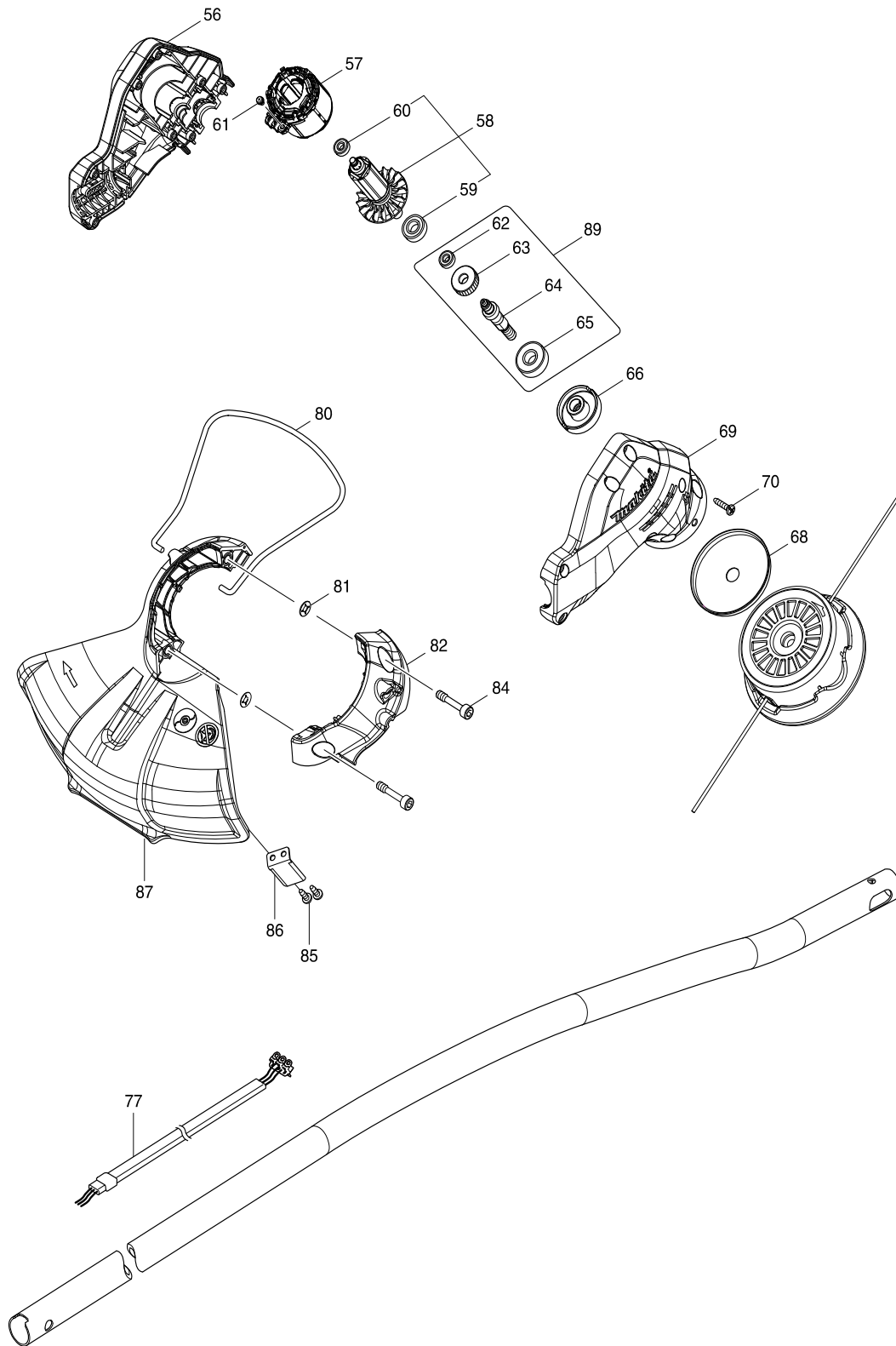


XRU13



Products with multiple versions are listed in subsiding order with the newest version on top not indented.

Section	Fig. No.	Part No.	Description	XRU13	Tech Bulletin	Notes
1	1	456671-5	LOCK OFF LEVER	1		
1	2	233621-5	TORSION SPRING 9	1		
1	3	140B61-1	SUB CONTROLLER COMPLETE	1		
1	4	456647-2	RUBBER SLEEVE 24 A	1		
1	5	453344-1	LOCK SLEEVE	1		
1	7	632E26-0	SWITCH UNIT	1		
1	8	456670-7	SWITCH LEVER	1		
1	9	233612-6	TORSION SPRING 10	1		
1	10	456423-4	LOOP HANDLE 24	1		
1	11	921382-6	HEX. BOLT M6X60	1		
1	12	264072-1	THUMB NUT M6	1		
1	26	183E59-3	GRIP HOUSING SET	1		INC. 30
1	27	854K67-4	XRU13 SERIAL NO. LABEL	1		
1	28	620910-1	CONTROLLER	1		
1	30	183E59-3	GRIP HOUSING SET	1		INC. 26
1	31	266326-2	TAPPING SCREW 4X18	10		
1	32	854K61-6	XRU13 NAME PLATE	1		
1	33	644808-8	TERMINAL	1		
1	34	456648-0	PIPE CAP	1		
1	71	424567-8	RUBBER SLEEVE 24	1		
1	75	135956-9	PIPE ASS'Y	1		INC. 34



Products with multiple versions are listed in subsiding order with the newest version on top not indented.

Section	Fig. No.	Part No.	Description	XRU13	Tech Bulletin	Notes
2	56	183F18-3	MOTOR HOUSING SET	1		
2	57	629248-1	STATOR	1		
2	58	519429-4	ROTOR ASS'Y	1		INC 59,60
2	59	210049-4	BALL BEARING 609ZZ	1		
2	60	211157-4	BALL BEARING 695ZZ	1		
2	61	652069-6	FLAT HEAD SCREW M3X6	3		
2	62	211157-4	BALL BEARING 695ZZ	1		
2	63	221492-2	HELICAL GEAR 26	1		
2	64	327132-1	CUTTER SHAFT	1		
2	65	210059-1	BALL BEARING 6000DDW	1		
2	66	144512-4	RECEIVE WASHER COMPLETE	1		
2	68	346857-8	GUARD	1		
2	69	183F18-3	MOTOR HOUSING SET	1		INC. 56
2	70	266326-2	TAPPING SCREW 4X18	8		
2	77	699114-6	POWER SUPPLY CORD UNIT	1		
2	80	326348-5	WIRE GUARD	1		
2	81	413143-3	WASHER	2		
2	82	454641-8	PROTECTOR HOLDER	1		
2	84	265647-9	HEX SOCKET HEAD BOLT M6X30 W	2		
2	85	266427-6	TAPPING SCREW 4X12	2		
2	86	346855-2	CUTTER	1		
2	87	456651-1	PROTECTOR	1		
2	89	135967-4	GEAR ASSEMBLY	1		INC. 62-65