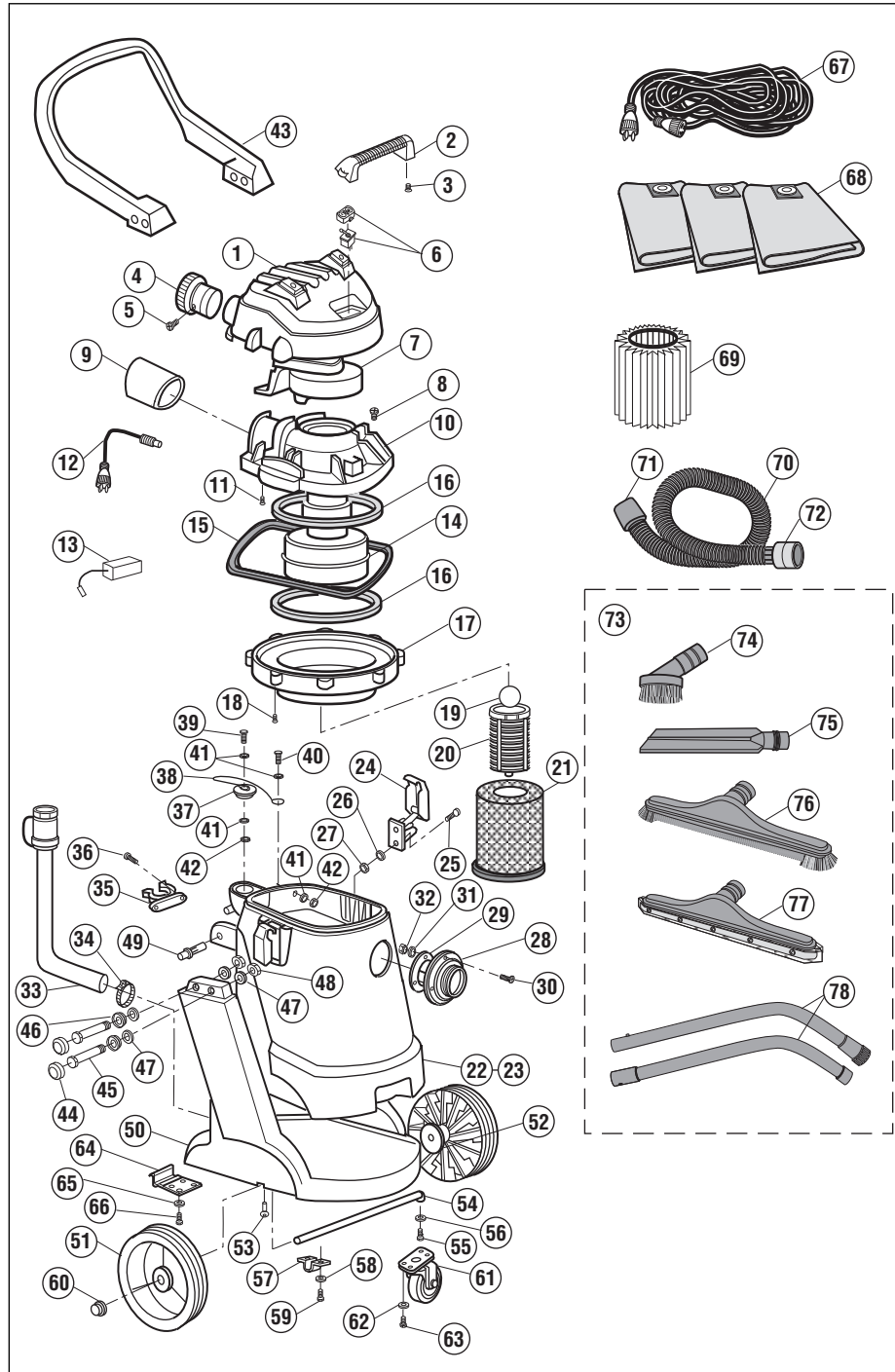


15 & 20 Gallon Wet/Dry Vacuum Assembly



Repair Parts Assembly

All items sold as each's unless otherwise identified

NO.	1071300	1071310	PRODUCT NAME	QTY. USED
1	510097	510104	MOTOR COVER ASSEMBLY	1
2	830565-2	830565-2	MOTOR COVER HANDLE	1
3	820563-4	820563-4	SCREW, TYPE AB #10 X 3/4"	2
4	833600	833600	DIFFUSER ASSEMBLY	1
5	820563-4	820563-4	SCREW, TYPE AB #10 X 3/4"	1
6	510127	510127	SWITCH AND COVER (SET)	1
7	831651	831651	MOTOR EXHAUST DUCT ASSEMBLY	1
8	826453-2	826453-2	SCREW, 10-32 X 3/4"	5
9	830609	830609	FOAM PAD, EXHAUST	1
10	831653-3	831653-3	LID	1
11	820563-4	820563-4	SCREW, TYPE AB #10 X 3/4"	7
12	833417	833417	POWER CORD (11.5", 16/3) ASSEMBLY	1
13	822374-8	822374-8	CARBON BRUSH SET	1
14	831567	831567	MOTOR ASSEMBLY, COMPLETE	1
15	833518	833518	LID GASKET	1
16	827415	827415	MOTOR GASKET	2
17	831659	831659	COLLECTOR ASSEMBLY	1
18	820563-4	820563-4	SCREW, TYPE AB #10 X 3/4"	8
19	833778	833778	BALL FLOAT	1
20	830101-1	830101-1	FILTER CAGE	1
21	107177	107177	WET APPLICATION FILTER	1
22	-	833603	20 GALLON TANK	1
23	833602	-	15 GALLON TANK	1
24	833424-1	833424-1	DRUM LATCH	2
25	833492-1	833492-1	SCREW, 10-32 X 3/4"	4
26	833493	833493	WASHER #10	4
27	161255-8	161255-8	NUT LOCK #10	4
28	833425	833425	TANK INLET ADAPTER	1
29	833426	833426	INLET ADAPTER GASKET	1
30	833492	833492	SCREW, 10-32 X 1-1/4"	3
31	833493	833493	WASHER #10	3
32	161255-8	161255-8	LOCK NUT #10	3
33	833451	833451	DRAIN HOSE ASSEMBLY (INCLUDES #35)	1
34	833452	833452	HOSE CLAMP	1
35	826881	826881	HOSE CLIP	1
36	808872-2	808872-2	SCREW, TYPE AB #8 X 3/4"	2
37	833449	833449	POUR SPOUT CAP	1
38	833450	833450	TETHER FOR POUR SPOUT CAP	1
39	833492	833492	SCREW, 10-32 X 1-1/4"	1
40	833492-1	833492-1	SCREW 10-32 X 3/4"	1
41	833493	833493	WASHER #10	4
42	161255-8	161255-8	NUT LOCK #10	2
43	833465	833465	CART HANDLE	1
44	100371	100371	CAP	4
45	832397-1	832397-1	HEX BOLT, 3/8-16 X 3-3/4"	4
46	833779	833779	CAP RETAINER	4
47	805557-1	805557-1	WASHER 13/32	8
48	161255-2	161255-2	LOCK NUT, 3/8-16	4
49	833454	833454	TANK HINGE	2
50	833456	833456	CART	1
51	833459	833459	WHEEL 10"	2
52	833460	833460	WHEEL SPACER	2
53	833662	833662	THUMB SCREW	1
54	831024-3	831024-3	AXLE	1
55	805466-3	805466-3	HEX SCREW, 5/16-18 X 5/8"	2
56	140755-12	140755-12	LOCK WASHER	2
57	833461	833461	AXLE BRACKET	2
58	140755-12	140755-12	LOCK WASHER	4
59	805466-3	805466-3	HEX SCREW, 5/16-18 X 5/8"	4
60	813836-1	813836-1	WASHER CAP NUT	2
61	833462	833462	CASTER 4"	3
62	140755-12	140755-12	LOCK WASHER	6
63	805466-3	805466-3	HEX SCREW, 5/16-18 X 5/8"	6
64	833463	833463	PEDAL LATCH PLATE	1
65	140755-12	140755-12	LOCK WASHER	2
66	805466-3	805466-3	HEX SCREW, 5/16-18 X 5/8"	2
67	833432	833432	50' 14-GAUGE TWIST LOCK EXTENSION CORD	1
68	107180	107180	INTERCEPT FILTER BAG, 3/PK (OPTIONAL)	1
69	107175	107175	QWIK LOCK™ FINE DUST CARTRIDGE FILTER	1
70	107198	107198	HOSE ASSEMBLY	1
71	831577	831577	SWIVEL HOSE CUFF, 1-1/2"	1
72	833587	833587	LOCKING RING ADAPTER	1
73	107187	107187	ACCESSORY KIT (INCLUDES 74 - 78)	1
74	100110	100110	DUST BRUSH	1
75	100107PT	100107PT	CREVICE TOOL	1
76	100614	100614	FLOOR BRUSH TOOL	1
77	100143	100143	SQUEEGEE TOOL	1
78	101338	101338	2 PIECE DOUBLE BEND WAND	1

